



US00D939099S

(12) **United States Design Patent** (10) **Patent No.:** **US D939,099 S**
Guerizec (45) **Date of Patent:** **** Dec. 21, 2021**

(54) **MASSAGE APPLIANCE**
(71) Applicant: **DECATHLON**, Villeneuve d'Ascq (FR)
(72) Inventor: **Johann Guerizec**, Fâches-Thumesnil (FR)
(73) Assignee: **DECATHLON**, Villeneuve d'Ascq (FR)
(**) Term: **15 Years**
(21) Appl. No.: **29/716,526**
(22) Filed: **Dec. 10, 2019**
(51) **LOC (13) Cl.** **28-03**
(52) **U.S. Cl.**
USPC **D24/215**
(58) **Field of Classification Search**
USPC D24/188-191, 200, 211-215, 110.1, D24/110.3
CPC A61H 9/00; A61H 9/0007; A61H 23/00; A61H 7/00; A61H 11/00; A61H 2011/005; A61H 2205/04; A61H 2205/062; A61H 2205/081
See application file for complete search history.

Shiatsu Back Neck Massager with Heat. Date: Jul. 29, 2019. [online]. [Site visited Mar. 15, 2021], Available from Internet URL: <https://www.amazon.com/dp/B07WJSY2G8/> (Year: 2019).*
Neck Massager Electric Shiatsu Back and Shoulder Massager. Date: Apr. 16, 2019. [online]. [Site visited Mar. 15, 2021], Available from Internet URL: <https://www.amazon.co.uk/dp/B06XWJWWYV/> (Year: 2019).*
Massage Appliances. (Design—© Questel) orbit.com. [Online PDF compilation of references] 29 pgs. Print Dates Range May 17, 2017-Jul. 16, 2020 [Retrieved Mar. 22, 2021] <https://www.orbit.com/export/UCZAH96B/pdf4/8cf32eff-fc83-43ba-b3ec-0d6c1bd3d648-132104.pdf> (Year: 2021).*

* cited by examiner

Primary Examiner — Susan Bennett Hattan
Assistant Examiner — Landon Thomas Cassell
(74) *Attorney, Agent, or Firm* — Fross, Zelnick, Lehrman & Zissu, PC; Charles T. J. Weigell, Esq.

(57) **CLAIM**

The ornamental design for a massage appliance, as shown and described.

(56) **References Cited**

U.S. PATENT DOCUMENTS

D649,655 S *	11/2011	Petersen	D24/215
D816,858 S *	5/2018	Gan	D24/215
D817,508 S *	5/2018	Gan	D24/215
D818,596 S *	5/2018	Zheng	D24/200
D847,361 S *	4/2019	Lee	D24/215
D895,830 S *	9/2020	Nakamura	D24/215
2021/0022950 A1 *	1/2021	Zheng	A61H 7/007

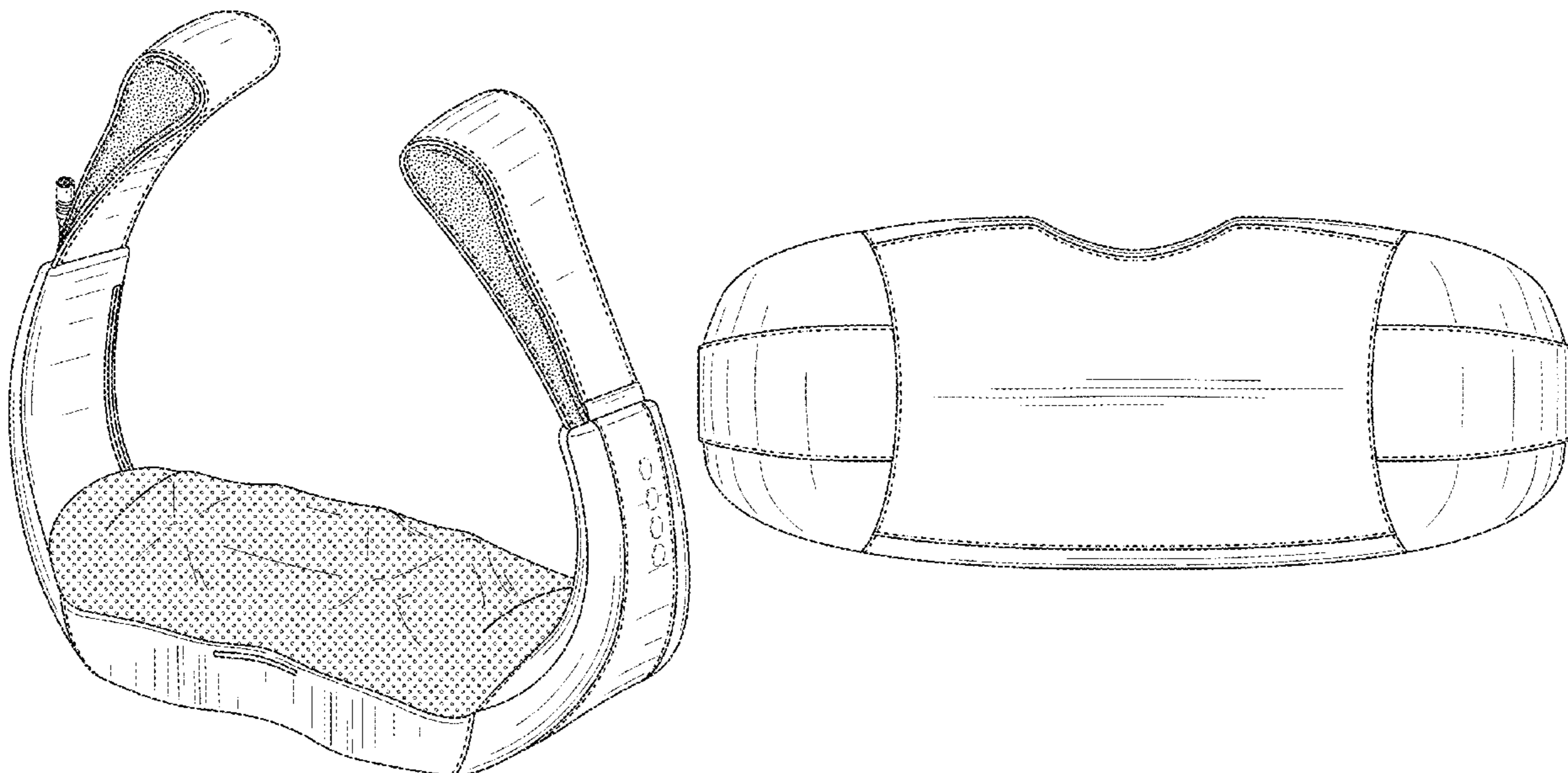
OTHER PUBLICATIONS

Cinturón Masaje Electrónico Aptonia. Date: Aug. 23, 2019. [online], [Site visited Mar. 15, 2021]. Available from Internet URL: <https://www.youtube.com/watch?v=IVu8EZ5zo4A> (Year: 2019).*

DESCRIPTION

FIG. 1 is a perspective view of a massage appliance showing my new design;
FIG. 2 is a front view thereof;
FIG. 3 is a back view thereof;
FIG. 4 is a right side view thereof;
FIG. 5 is a left side view thereof;
FIG. 6 is a top view thereof; and,
FIG. 7 is a bottom view thereof.
The broken lines in the drawing depict environmental subject matter only and form no part of the claimed design.

1 Claim, 7 Drawing Sheets



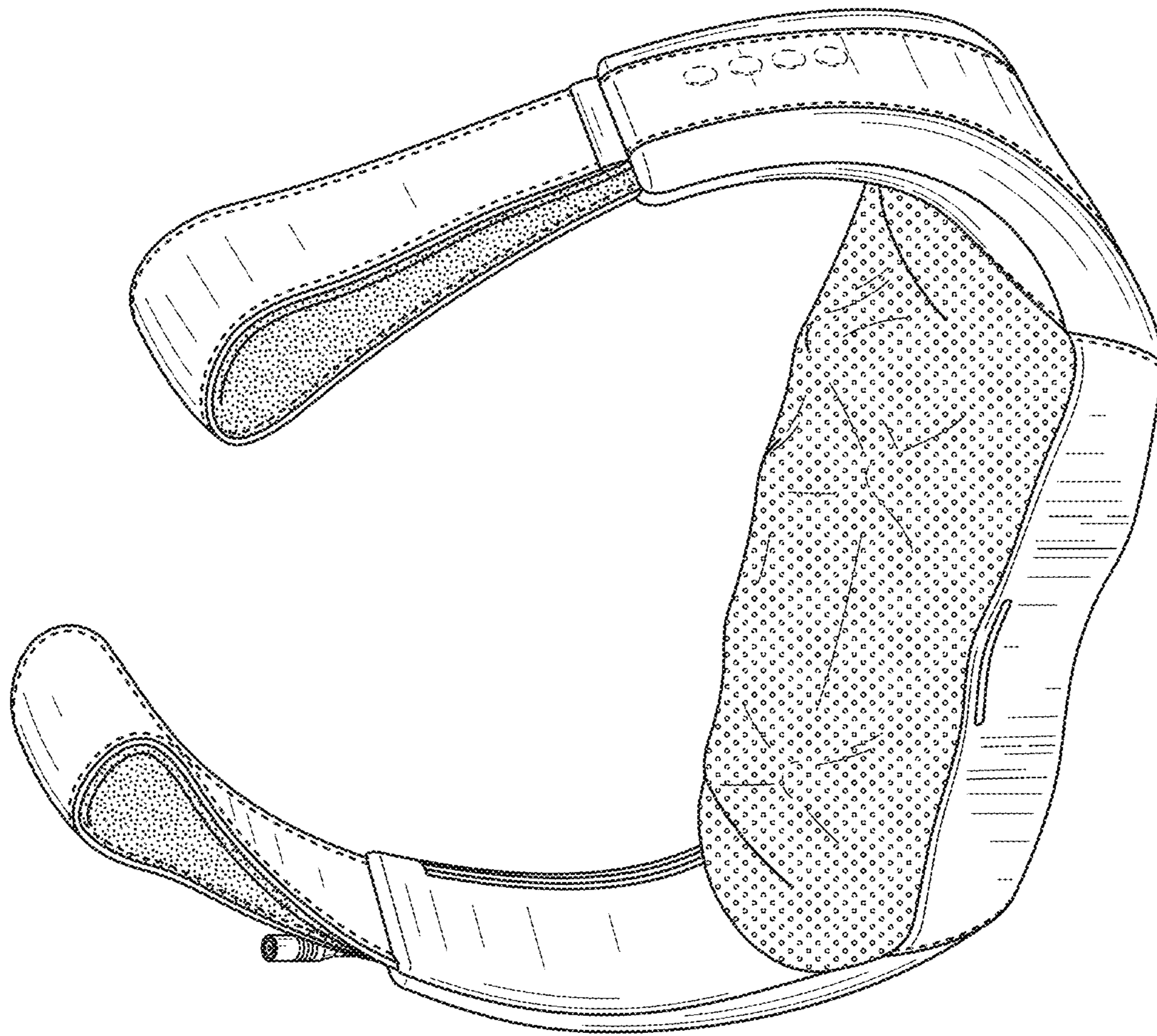


FIG. 1

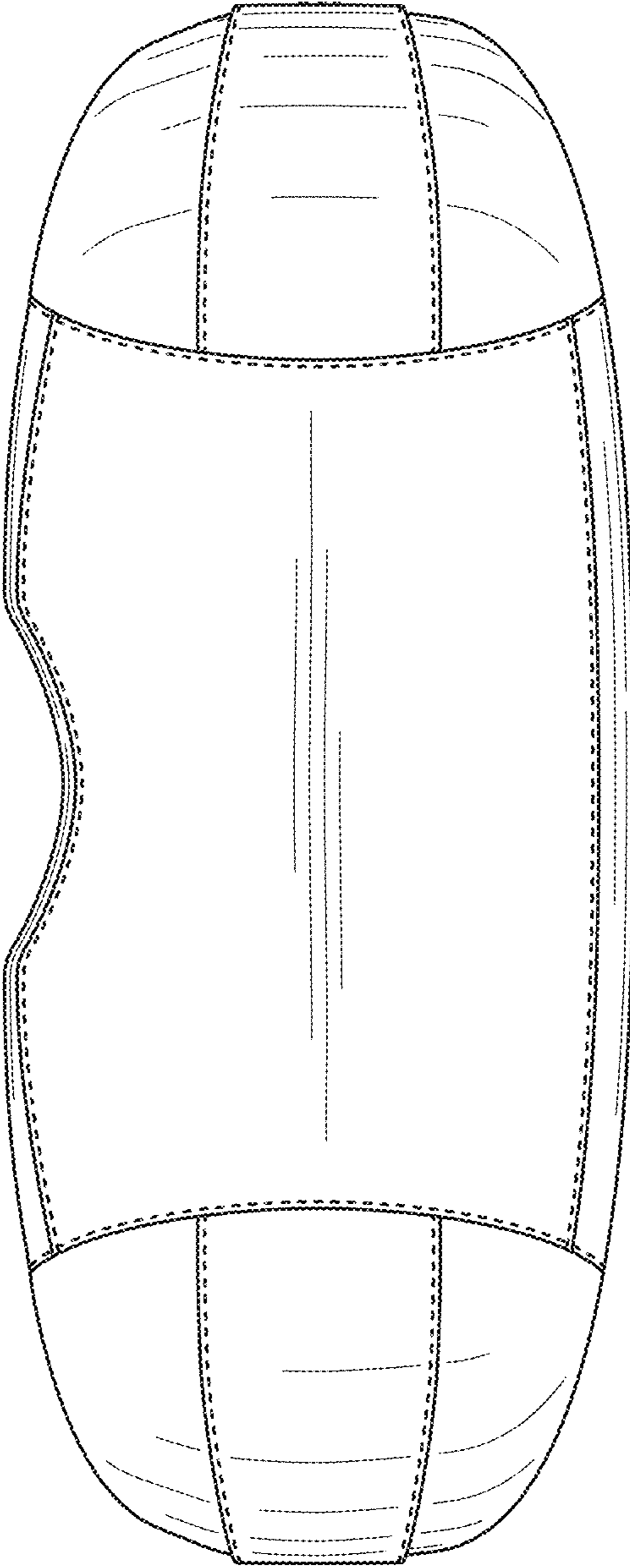


FIG. 2

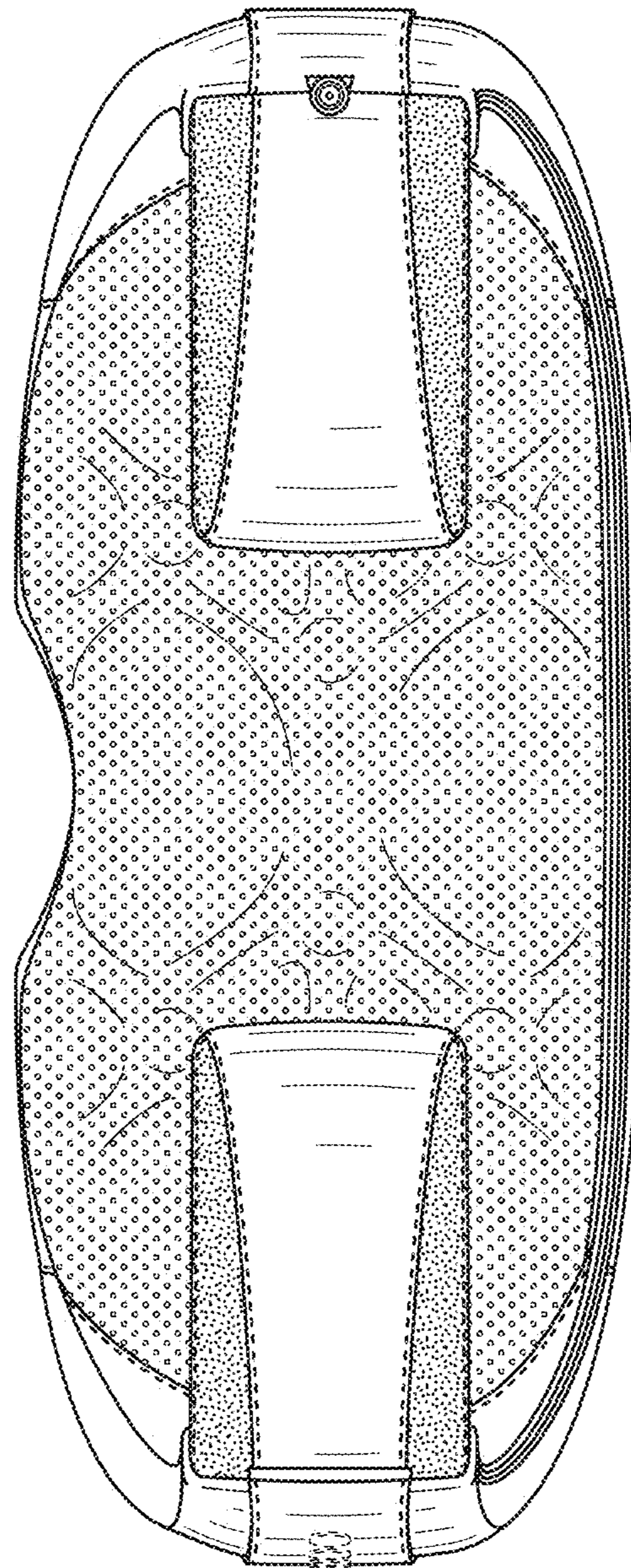


FIG. 3

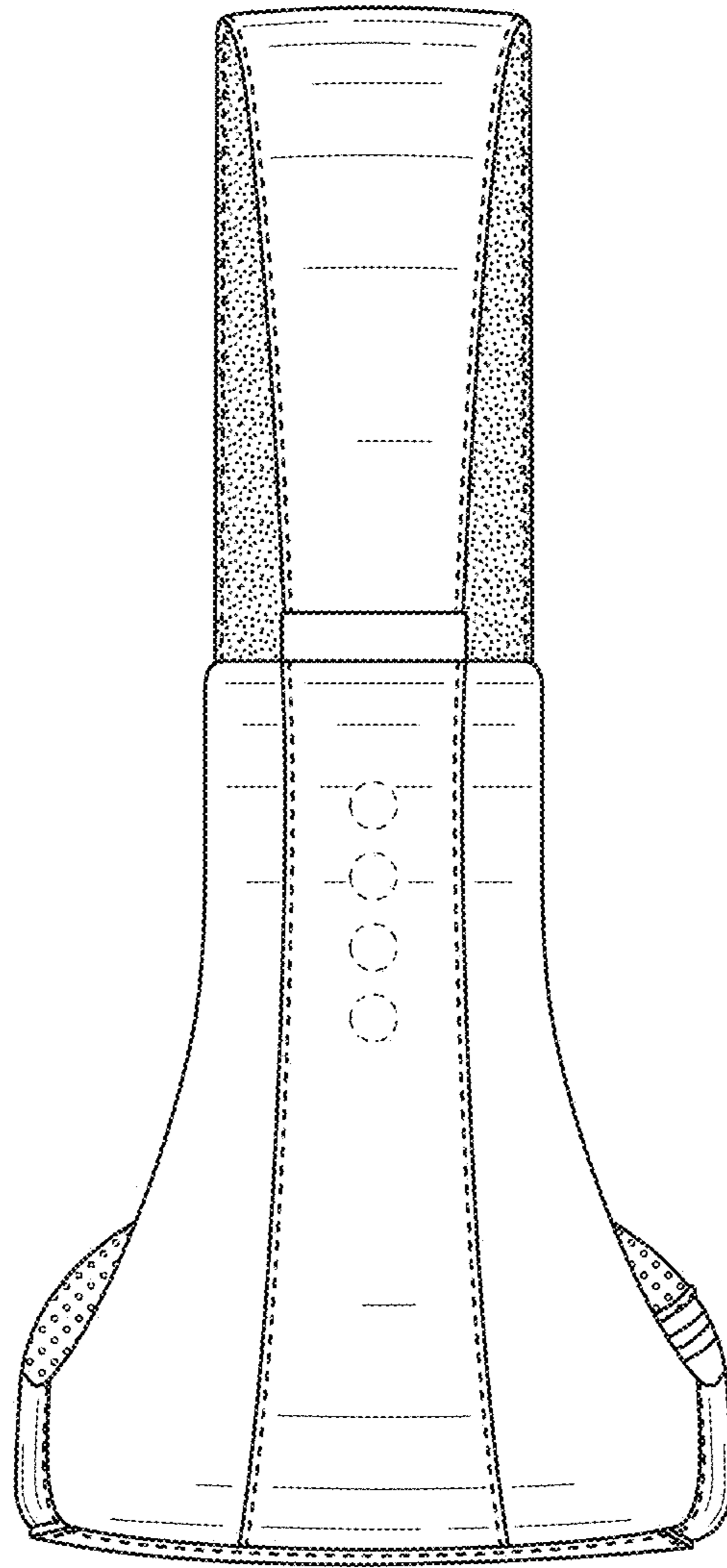


FIG. 4

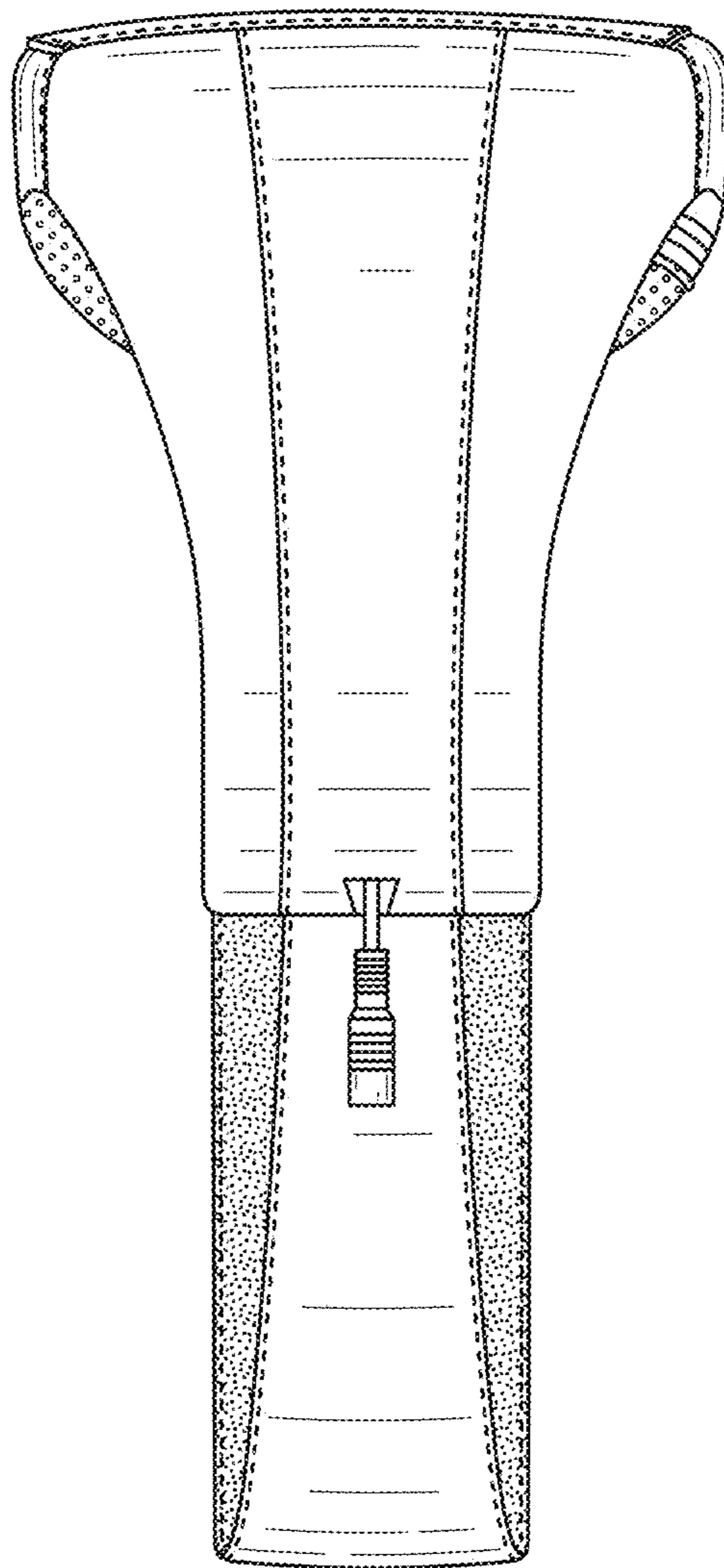


FIG. 5

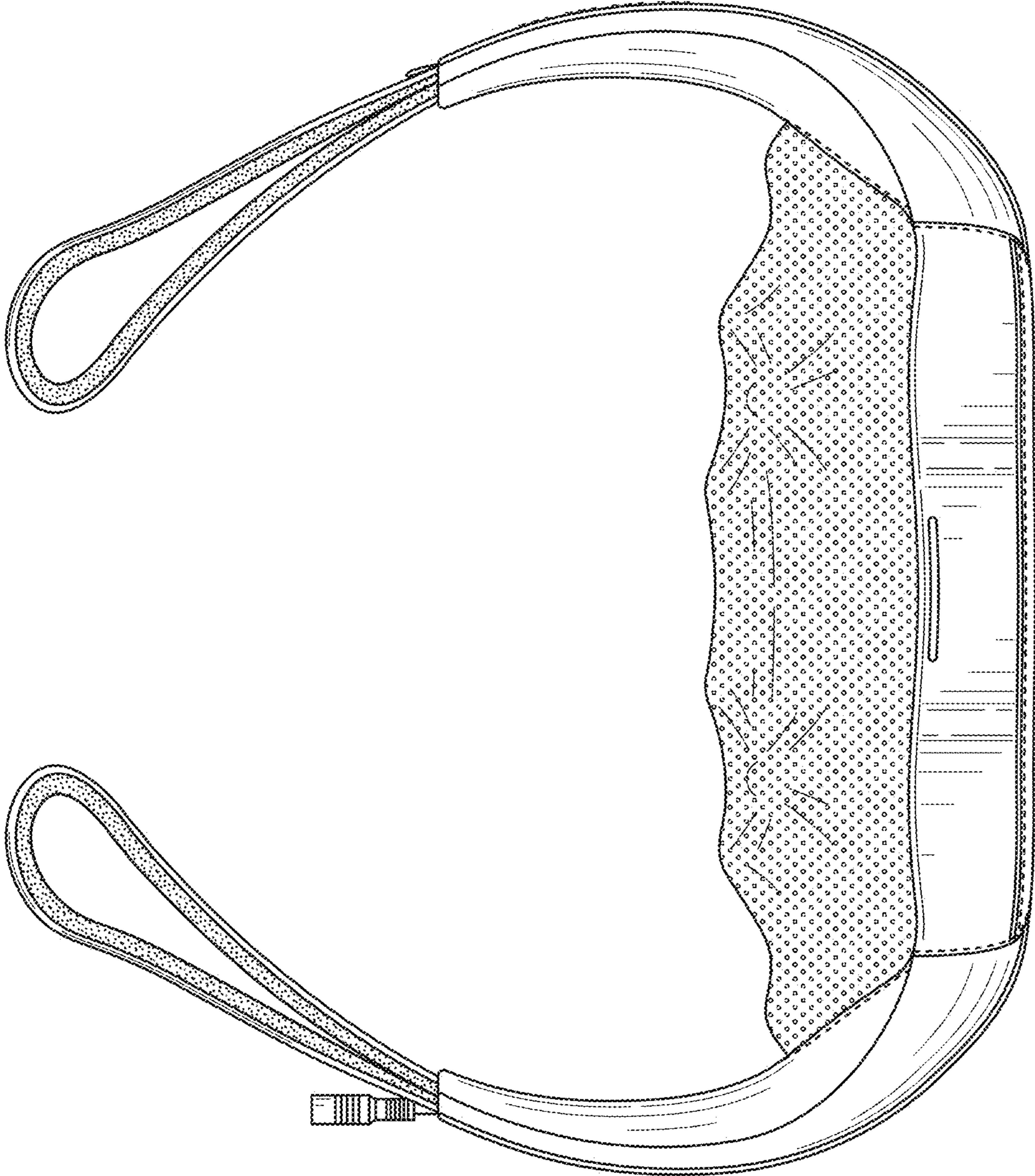


FIG. 6

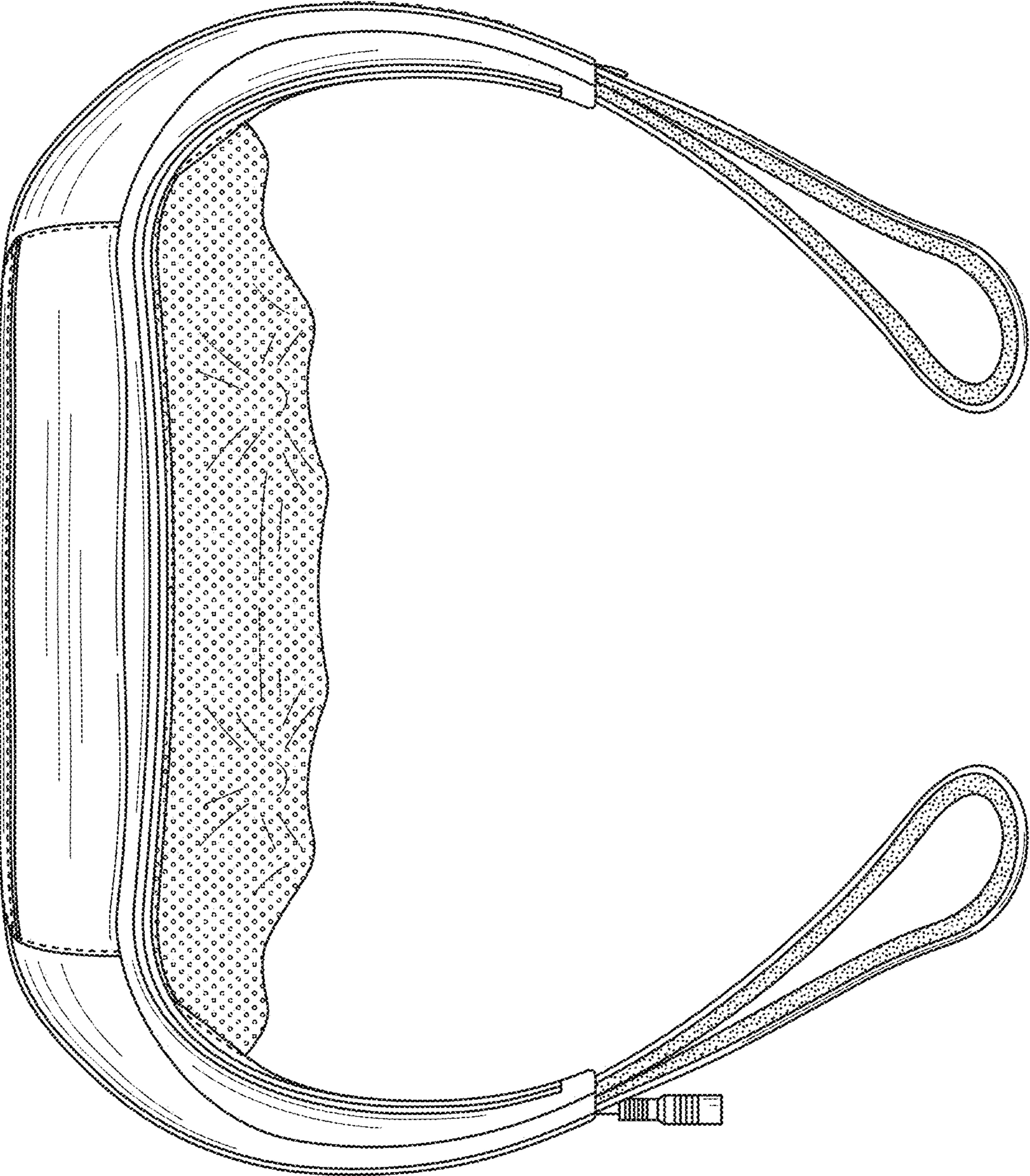


FIG. 7