



US00D939098S

(12) **United States Design Patent** (10) **Patent No.:** **US D939,098 S**
Lombardo et al. (45) **Date of Patent:** **** Dec. 21, 2021**

(54) **ROLLER DEVICE**
(71) Applicant: **Church & Dwight Co., Inc.**, Princeton, NJ (US)

4,884,560 A 12/1989 Kuracina
D306,524 S * 3/1990 Marshall D4/122
5,127,395 A 7/1992 Bontemps
(Continued)

(72) Inventors: **LoriAnn Lombardo**, East Hanover, NJ (US); **Aaron Szymanski**, Thomaston, CT (US)

FOREIGN PATENT DOCUMENTS

AT 55/1994-0001 2/1994
AU 125274 5/1945
(Continued)

(73) Assignee: **Church & Dwight Co., Inc.**, Princeton, NJ (US)

OTHER PUBLICATIONS

(**) Term: **15 Years**

Amazon, "Finishing Touch Flawless Facial Massager", Oct. 3, 2020. https://www.amazon.com/Finishing-Touch-Flawless-Facial-Massage/dp/B08DXVZ6QP/ref=cm_cr_arp_d_product_top?ie=UTF8. Shwon on p. 1. (Year: 2020).*

(21) Appl. No.: **29/704,247**

(22) Filed: **Sep. 3, 2019**

(Continued)

(51) **LOC (13) Cl.** **28-03**

(52) **U.S. Cl.**
USPC **D24/211**

(58) **Field of Classification Search**
USPC D24/200, 211, 212, 213, 214, 215;
D4/122
CPC A61H 15/00; A61H 2015/0014; A61H
15/0092
See application file for complete search history.

Primary Examiner — Cynthia Ramirez
Assistant Examiner — Michael A Maharajh
(74) *Attorney, Agent, or Firm* — Womble Bond Dickinson (US) LLP

(57) **CLAIM**
The ornamental design for a roller device, as shown and described.

DESCRIPTION

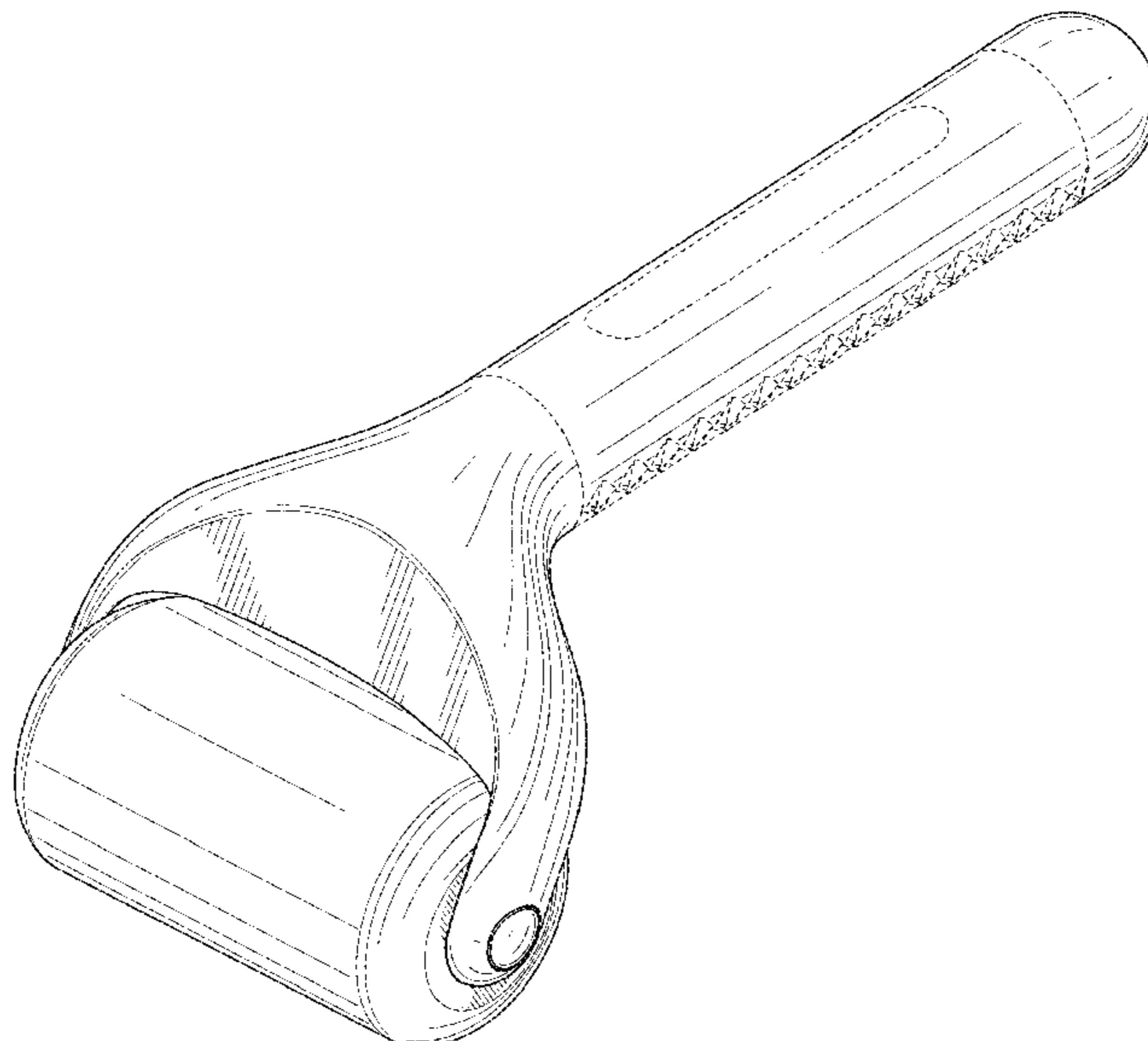
(56) **References Cited**

U.S. PATENT DOCUMENTS

622,350 A 4/1899 Hans
926,245 A 6/1909 Coon
1,270,635 A 6/1918 Ljungstrom
1,744,423 A 1/1930 Toadvine
1,923,317 A 8/1933 Lipsner
1,947,042 A 2/1934 Gennan
2,057,396 A 10/1936 Seidel
D114,731 S * 5/1939 Tresenberg D24/211
2,472,385 A 6/1949 Rollman
2,787,261 A 4/1957 McDonald et al.
D206,258 S * 11/1966 Roth D4/122
4,813,404 A 3/1989 Vallis

FIG. 1 is a top perspective view of a roller device showing our new design;
FIG. 2 is a side view thereof, the opposite side is a mirror image thereof;
FIG. 3 is a front view thereof;
FIG. 4 is a rear view thereof;
FIG. 5 is a top plan view thereof;
FIG. 6 is a bottom plan view thereof; and,
FIG. 7 is a bottom perspective view thereof.
The broken lines in the drawings are for the purpose of illustrating portions of the roller device, which form no part of the claimed design.

1 Claim, 6 Drawing Sheets



(56)

References Cited

FOREIGN PATENT DOCUMENTS

U.S. PATENT DOCUMENTS

5,152,281 A 10/1992 Koll
 D336,163 S * 6/1993 Chien-Min D4/122
 5,267,399 A 12/1993 Johnston
 D352,130 S * 11/1994 Zierhut 401/208
 5,666,963 A 9/1997 Swenson et al.
 D385,060 S * 10/1997 Burrell D28/7
 D414,875 S 10/1999 Sirois et al.
 6,648,904 B2 11/2003 Altshuler et al.
 D483,571 S * 12/2003 Khubani D4/122
 D498,397 S * 11/2004 Mitchell D8/14
 D549,834 S * 8/2007 Huang D24/211
 7,481,783 B1 1/2009 Kelley
 D661,168 S * 6/2012 Furling D8/51
 D661,491 S * 6/2012 Bunnag D4/122
 D671,747 S * 12/2012 Guyton D4/122
 D671,748 S * 12/2012 Guyton D4/122
 D676,975 S * 2/2013 Bickford D24/211
 D677,391 S * 3/2013 Bickford D24/211
 D677,392 S * 3/2013 Bickford D24/211
 D678,540 S * 3/2013 Bickford D24/211
 D678,541 S * 3/2013 Bickford D24/211
 D678,542 S * 3/2013 Bickford D24/211
 D690,944 S * 10/2013 Lee D4/122
 D706,981 S * 6/2014 Clough D28/44.1
 D781,498 S * 3/2017 Pel D28/58
 D781,499 S * 3/2017 Pel D28/58
 D820,522 S * 6/2018 Colin D28/58
 D824,596 S * 7/2018 Gobber A45D 29/00
 D829,919 S * 10/2018 Davis D24/211
 D841,176 S * 2/2019 Gaquiere D24/211
 D849,259 S * 5/2019 Gaquiere D24/211
 D863,580 S * 10/2019 Lee D24/211
 D863,581 S * 10/2019 Lee D24/211
 D865,201 S * 10/2019 Gaquiere D24/211
 D865,202 S * 10/2019 Gaquiere D24/211
 D865,203 S * 10/2019 Eschbach D24/211
 D865,293 S * 10/2019 Adams D28/58
 D890,941 S * 7/2020 Gaquiere D24/211
 D895,823 S * 9/2020 Khubani D24/211
 2005/0187498 A1 8/2005 Miller
 2011/0125067 A1 * 5/2011 Filho A61H 15/0092
 601/19
 2012/0109041 A1 5/2012 Munz
 2013/0048011 A1 * 2/2013 Bickford A45D 40/28
 132/320
 2015/0057579 A1 2/2015 Martinez
 2015/0374409 A1 * 12/2015 Chopdat A61B 17/54
 606/131

CA 2101825 2/1995
 CN 2061052 8/1990
 CN 2236303 10/1996
 CN 2239494 11/1996
 CN 2272286 1/1998
 CN 2278466 4/1998
 CN 2292552 9/1998
 CN 2413685 1/2001
 CN 1454584 11/2003
 CN 300779815 5/2008
 CN 302002689 7/2012
 CN 302002753 7/2012
 CN 203073458 7/2013
 CN 302562252 9/2013
 CN 302621013 10/2013
 CN 302727467 1/2014
 CN 203436539 2/2014
 CN 303084499 1/2015
 CN 303171515 4/2015
 CN 303781867 8/2016
 CN 303798174 8/2016
 CN 304147157 5/2017
 CN 304433868 12/2017
 CN 304510814 2/2018
 CN 304977058 1/2019
 DE 345284 12/1921
 DE M9305491-0001 4/1994
 EM 001322069-0005 4/2012
 EM 004068971-0005 7/2017
 EP 0667138 8/1995
 EP 1797847 6/2007
 EP 2493350 5/2015
 GB 191201630 10/1912
 GB 2036141 4/1994
 GB 2036347 6/1994
 GB 2036348 6/1994
 GB 2538219 11/2016
 JP H07106216 11/1995
 JP H1033609 2/1998
 JP D1485808 12/2013
 JP D1600550 3/2018
 KR 300267784.0000 10/2000
 KR 2020000020252 11/2000
 KR 200243032 10/2001
 KR 300710897.0000 10/2013
 KR 300829518.0000 12/2015
 KR 300979290.0000 11/2018

OTHER PUBLICATIONS

Flawlessbeauty, "Flawless Ice Roller", Dec. 14, 2020. <https://www.flawlessbeauty.com/ICE.dtm>. Shown on p. 1. (Year: 2020).*

* cited by examiner

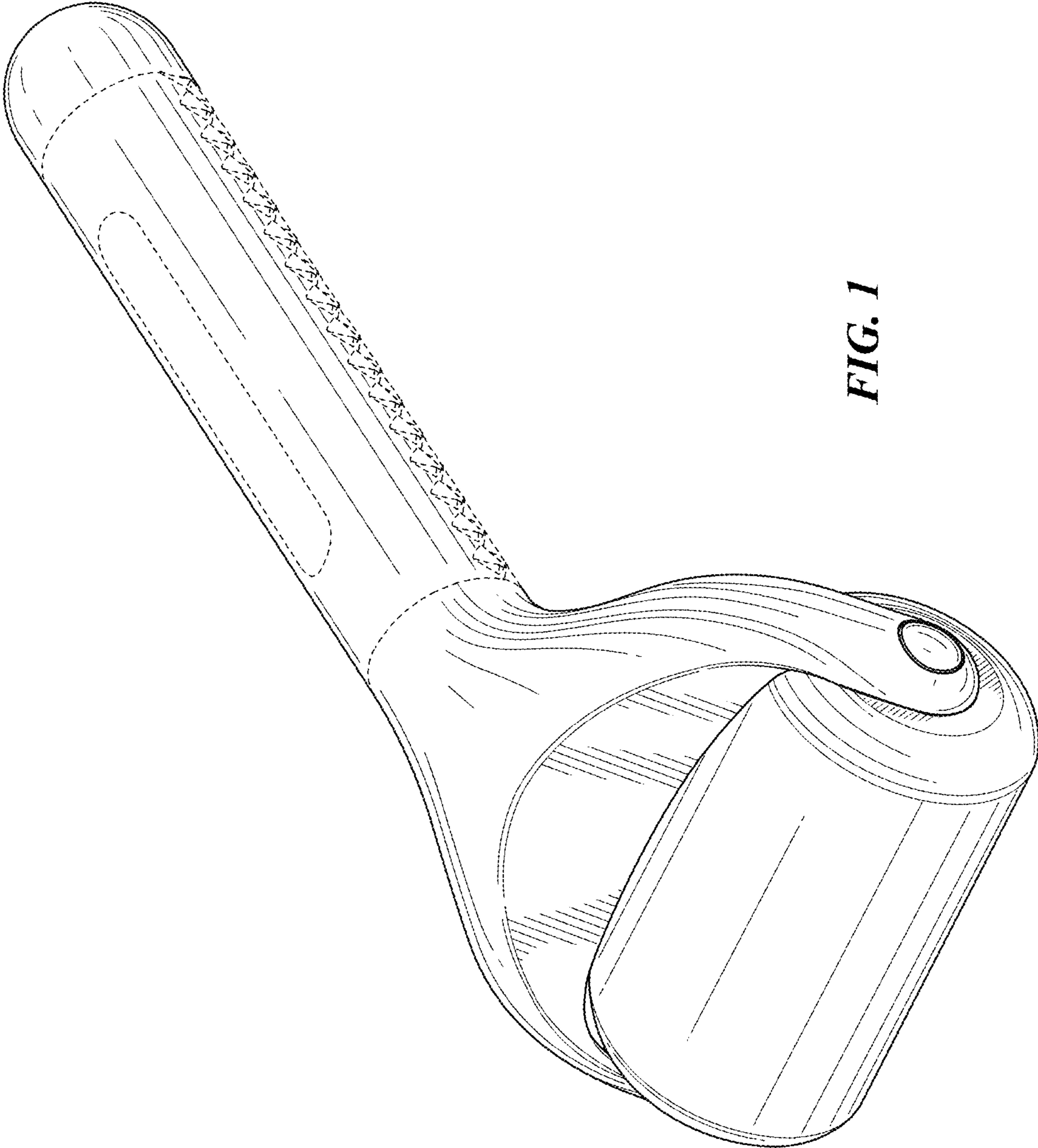


FIG. 1

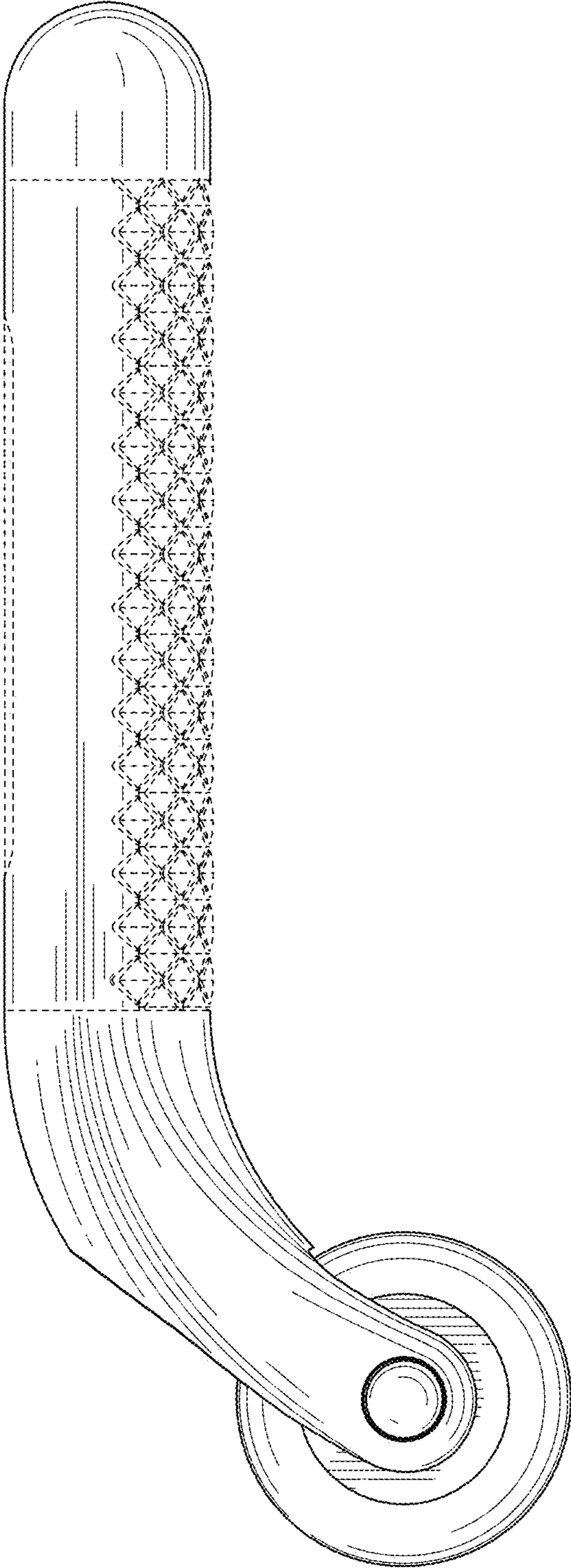


FIG. 2

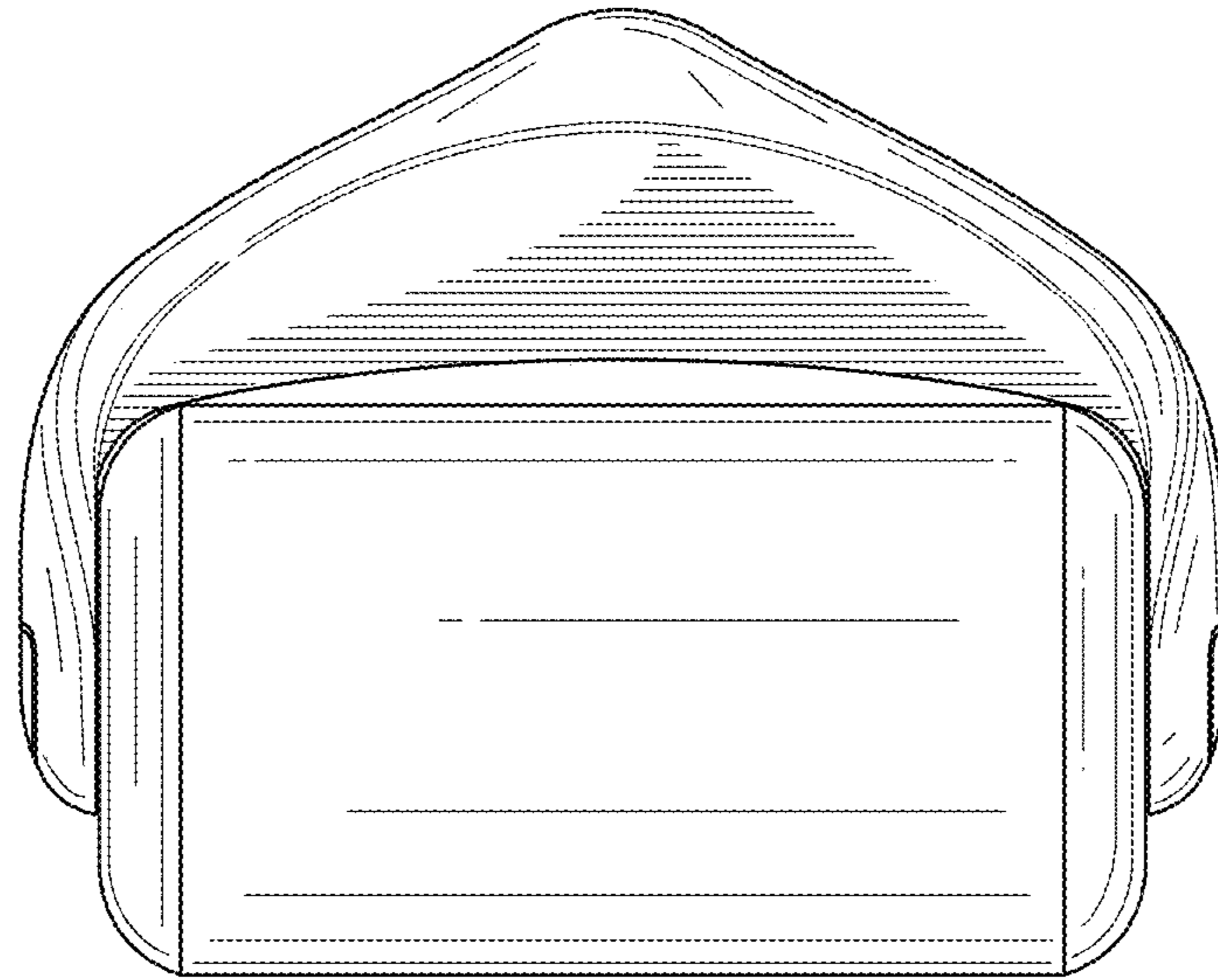


FIG. 3

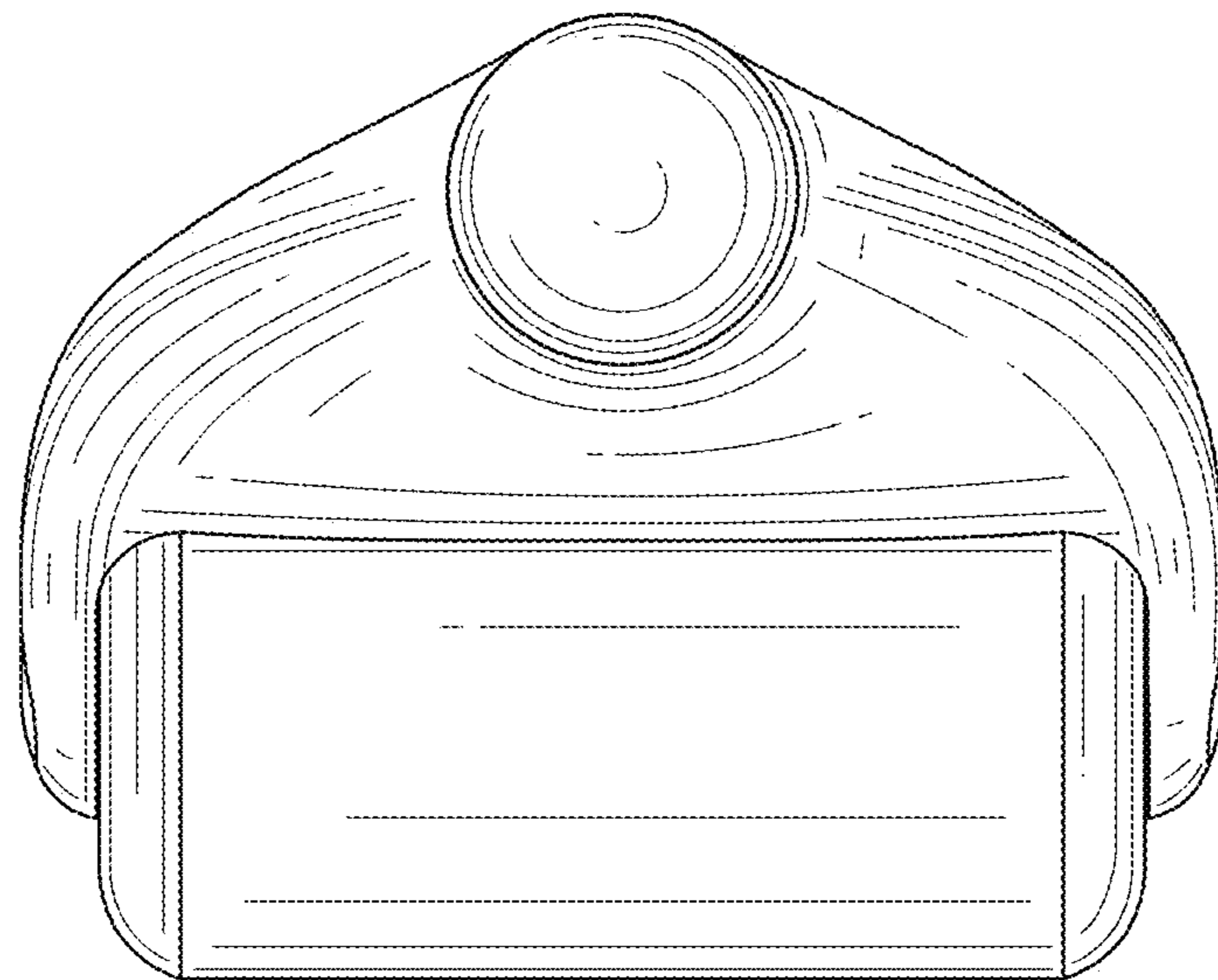


FIG. 4

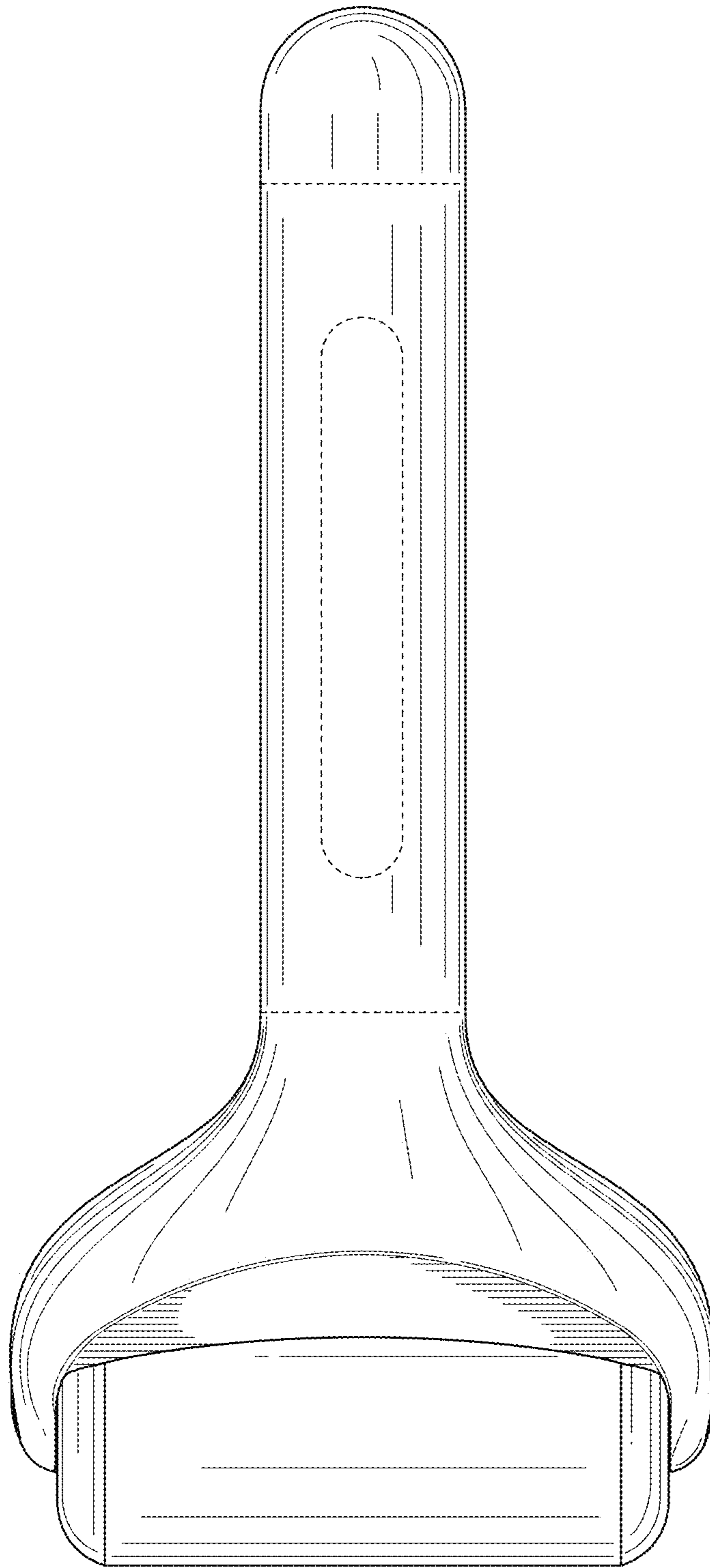


FIG. 5

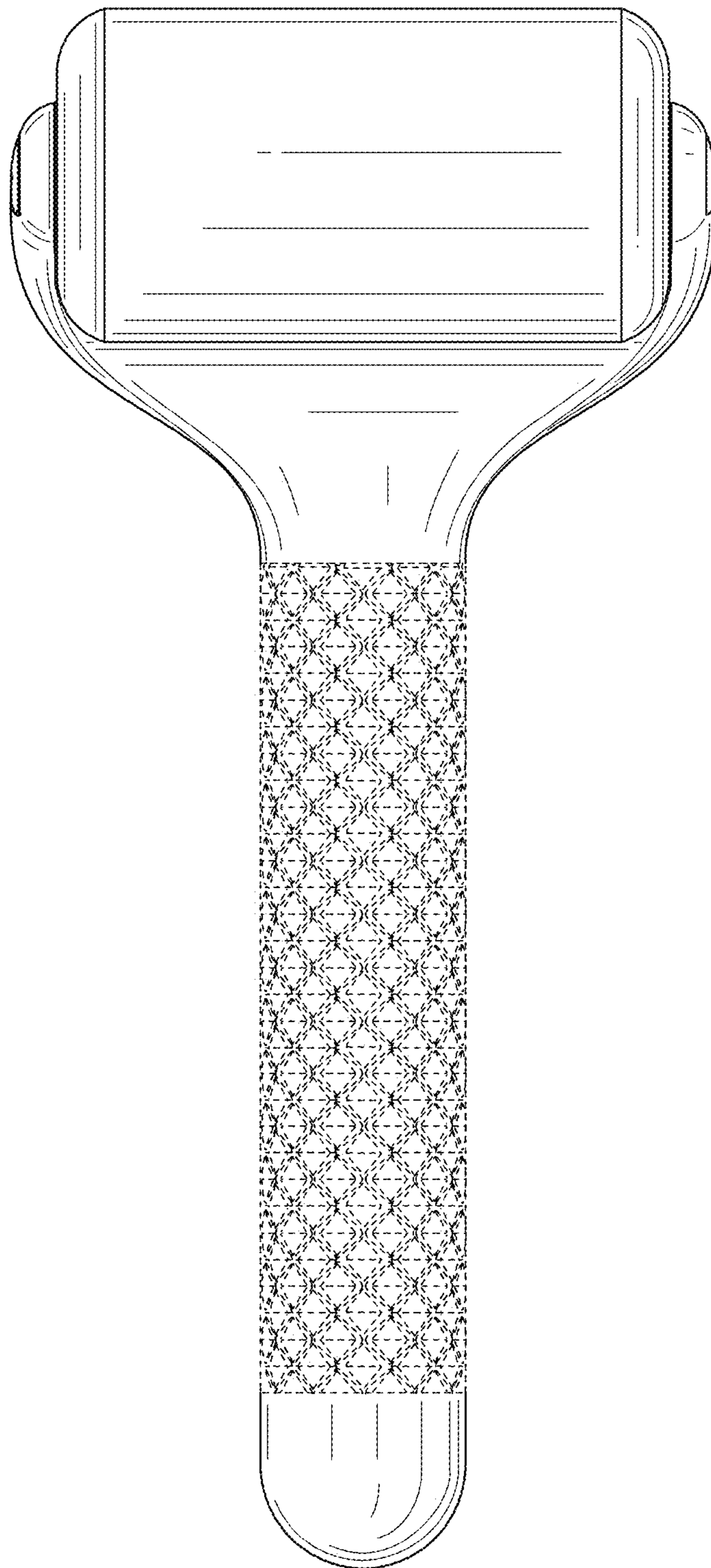


FIG. 6

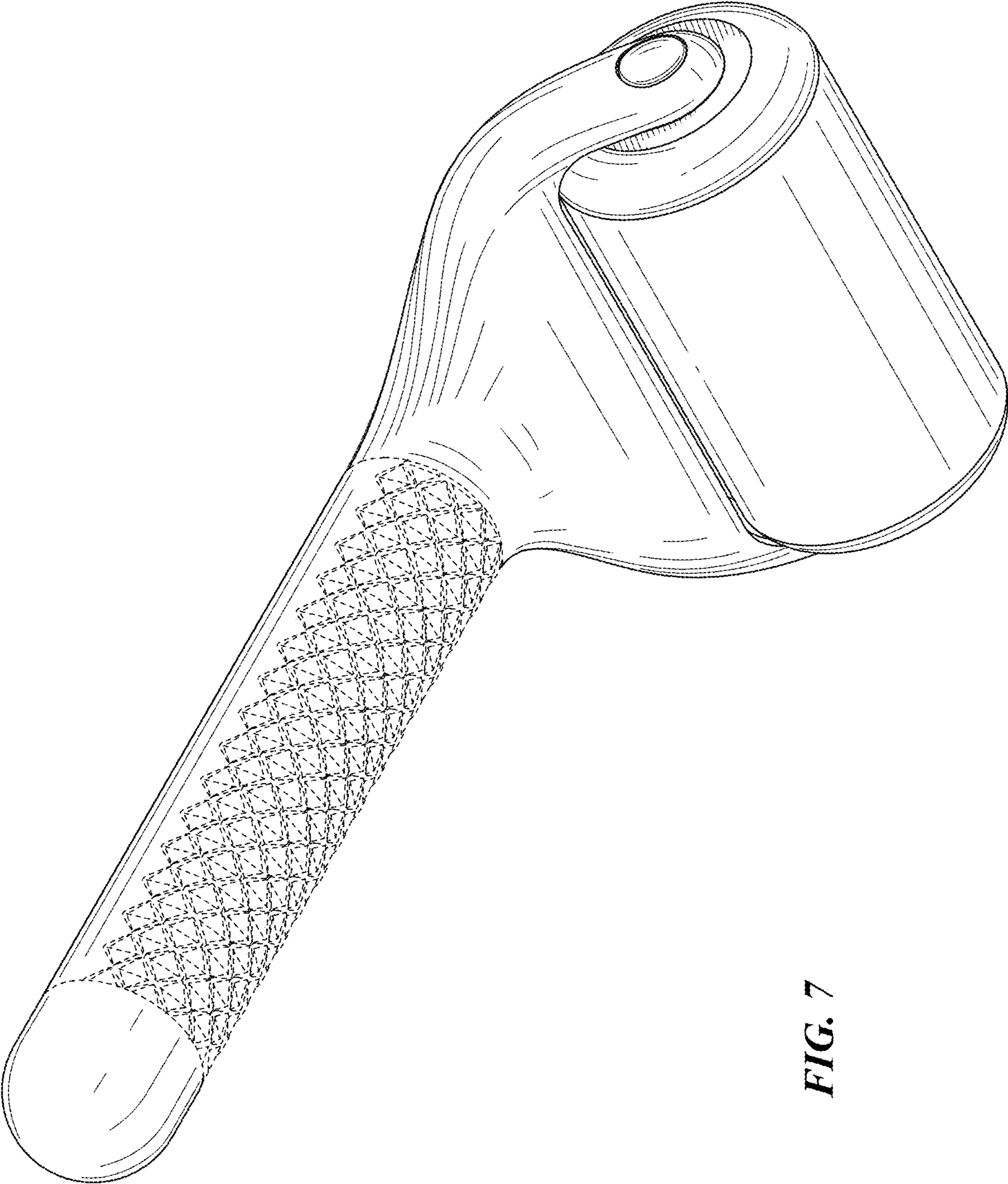


FIG. 7