



US00D939096S

(12) **United States Design Patent**
Lee

(10) **Patent No.:** **US D939,096 S**
(45) **Date of Patent:** **** Dec. 21, 2021**

(54) **APPARATUS FOR UPPER LIMB REHABILITATION**
(71) Applicant: **H Robotics Inc.**, Pohang-si (KR)
(72) Inventor: **Chun Bae Lee**, Seoul (KR)
(73) Assignee: **H Robotics Inc**, Pohang-si (KR)
(**) Term: **15 Years**

(21) Appl. No.: **29/736,478**
(22) Filed: **Jun. 1, 2020**

(30) **Foreign Application Priority Data**

Feb. 24, 2020 (KR) 30-2020-0007999

(51) **LOC (13) Cl.** **28-03**

(52) **U.S. Cl.**
USPC **D24/200; D24/188**

(58) **Field of Classification Search**
USPC D24/200, 214-215, 188; D21/662, 673, D21/694
CPC A61H 1/008; A61H 1/0237; A61H 1/024; A61H 1/0244; A61H 1/0274; A61H 1/0285; A61H 1/0277; A61H 2201/163; A61H 2201/1635; A61H 2201/164; A63B 23/035; A63B 23/12; A63B 23/129
See application file for complete search history.

(56) **References Cited**

U.S. PATENT DOCUMENTS

1,953,424 A * 4/1934 Miller A61H 1/008 601/146
7,125,389 B2 * 10/2006 Sin A61H 1/0218 601/98
7,204,814 B2 * 4/2007 Peles A61H 1/0277 601/33

7,744,546 B2 * 6/2010 Lee A61H 1/0237 601/33
8,273,043 B2 * 9/2012 Bonutti A61H 1/0274 602/23
10,245,173 B2 * 4/2019 Badger A61H 1/008
2007/0275839 A1 * 11/2007 Lee A61H 1/024 482/148
2016/0199246 A1 * 7/2016 Kim A61H 1/0285 482/45

FOREIGN PATENT DOCUMENTS

KR 301040386.0000 * 6/2019
KR 301060456.0000 * 10/2019

* cited by examiner

Primary Examiner — Wan Laymon

(74) *Attorney, Agent, or Firm* — Revolution IP, PLLC

(57) **CLAIM**

The ornamental design for an apparatus for upper limb rehabilitation, as shown and described.

DESCRIPTION

FIG. 1 is a top, front right perspective view of an apparatus for upper limb rehabilitation showing my new design; FIG. 2 is a front view thereof; FIG. 3 is a rear view thereof; FIG. 4 is a left side view thereof; FIG. 5 is a right side view thereof; FIG. 6 is a top view thereof; FIG. 7 is a bottom view thereof; FIG. 8 is a top, rear right perspective view thereof; FIG. 9 is a bottom, front right perspective view thereof; and, FIG. 10 is a reference view showing use state thereof. The broken lines in FIGS. 7, 9 and 10 are included for the purpose of illustrating portions and environmental element of the apparatus for upper limb rehabilitation and form no part of the claimed design.

1 Claim, 10 Drawing Sheets

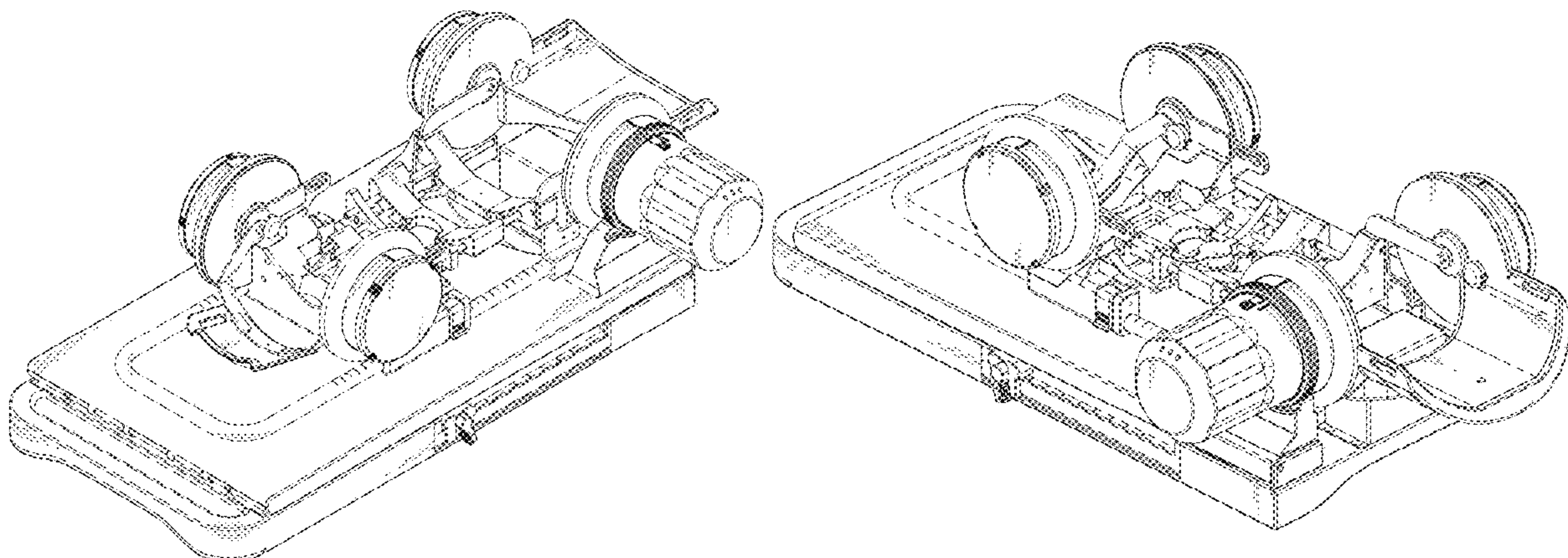


FIG. 1

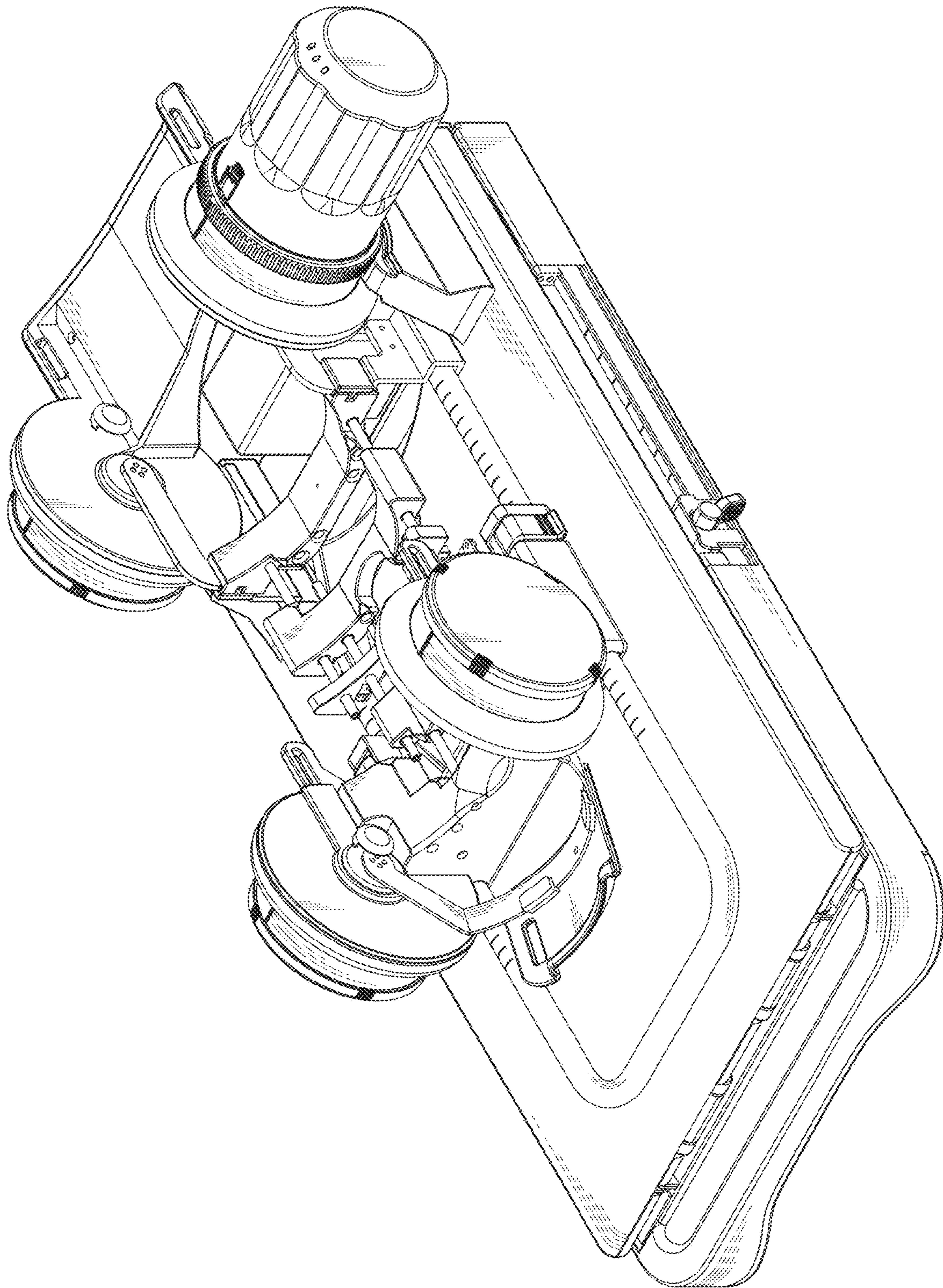


FIG. 2

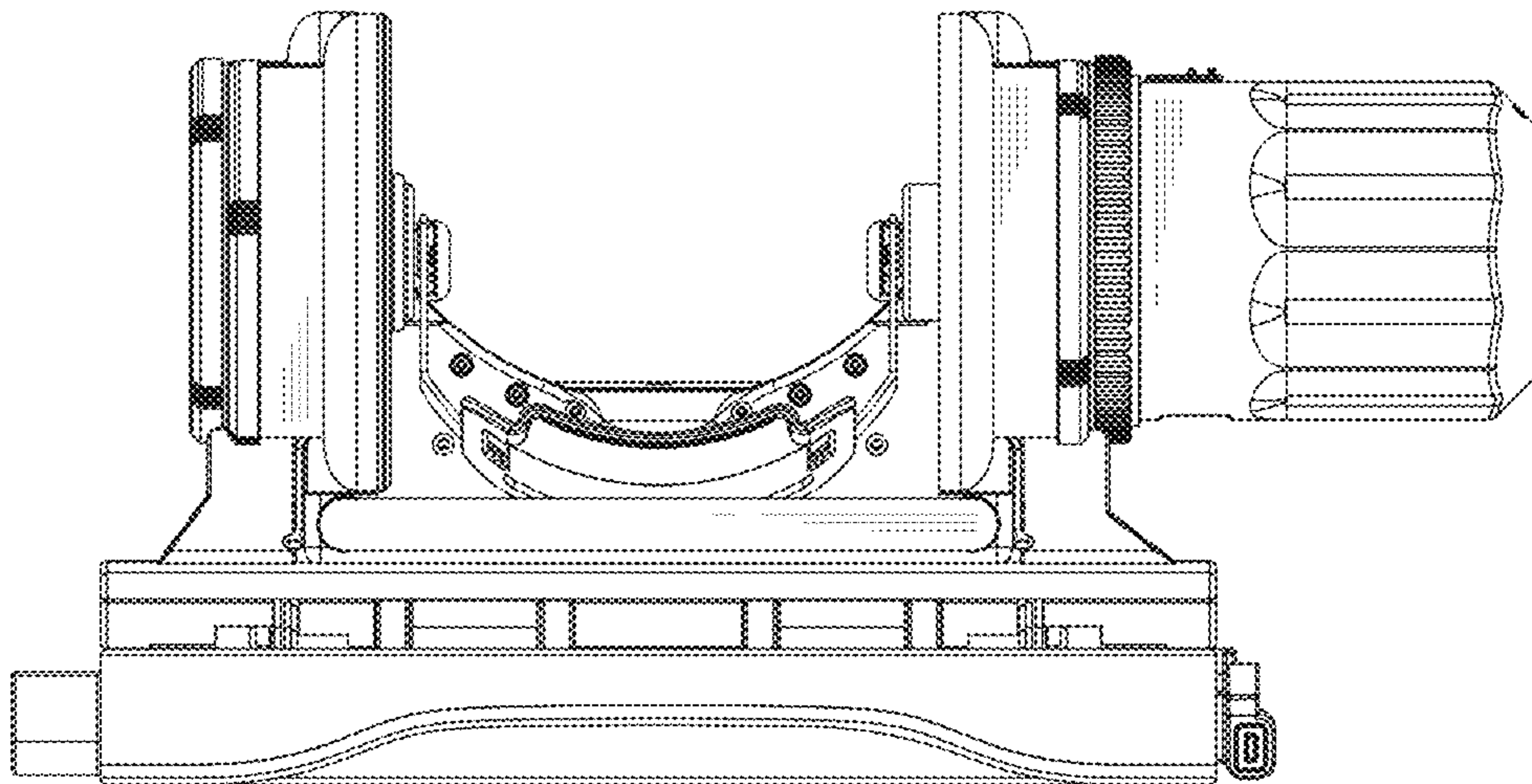


FIG. 3

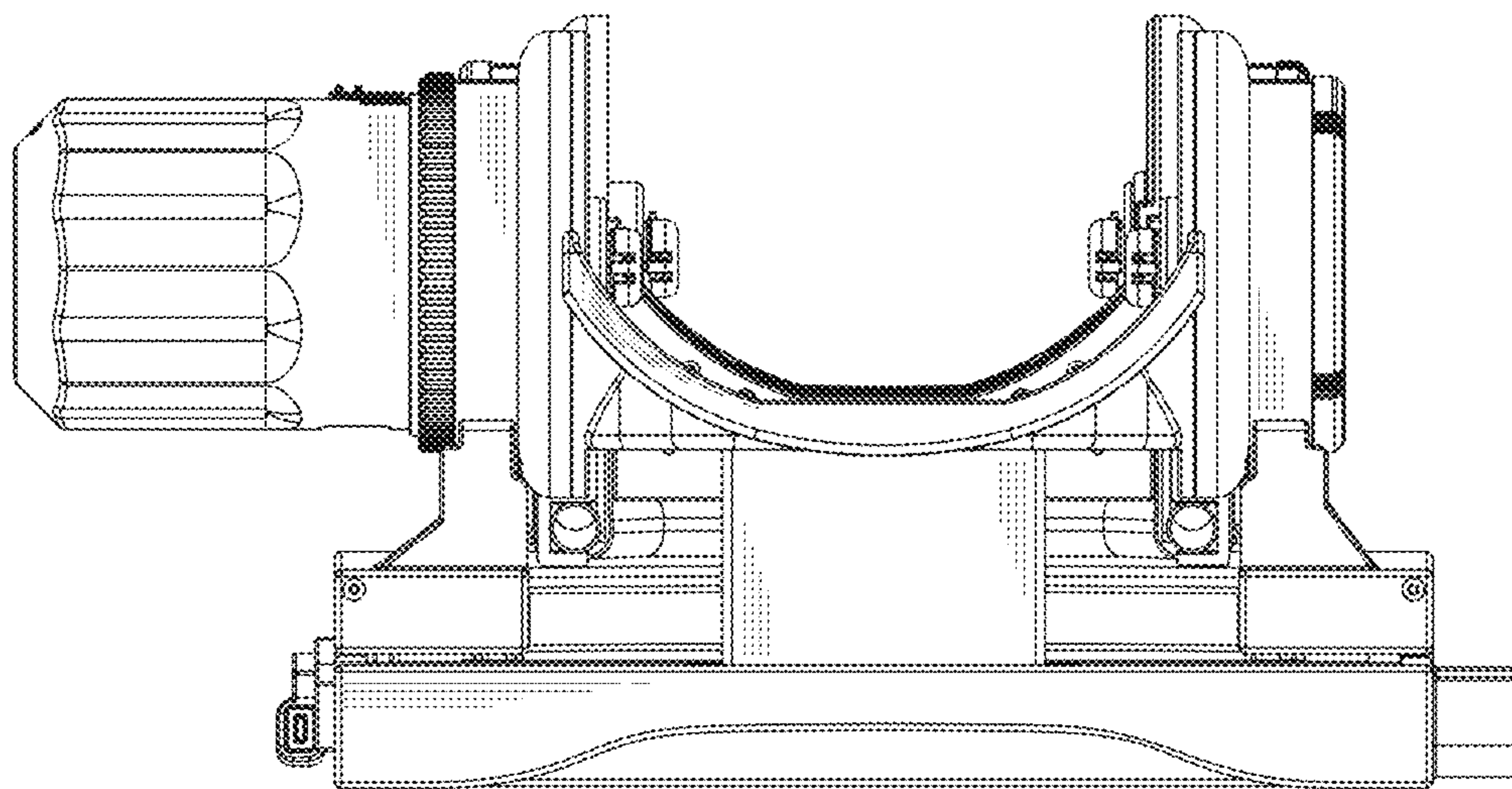


FIG. 4

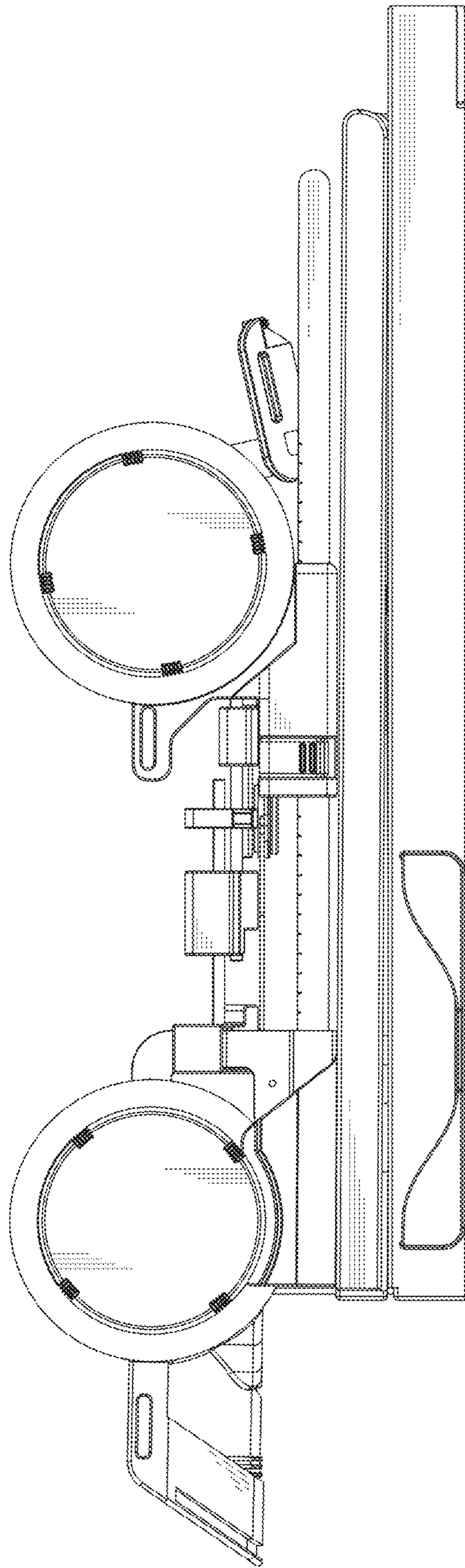


FIG. 5

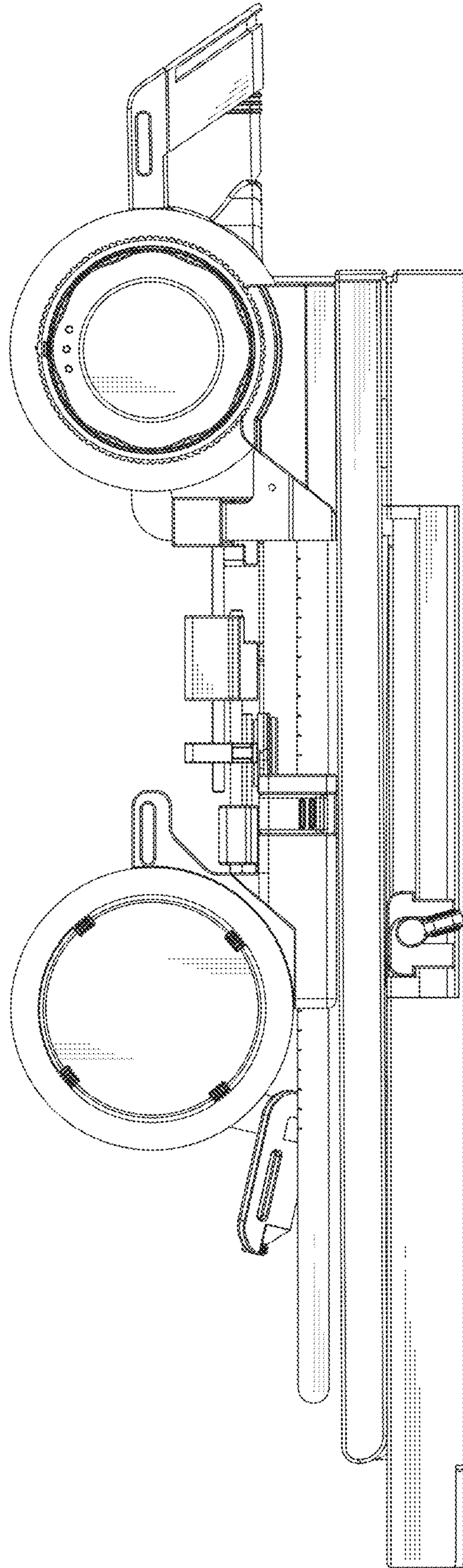


FIG. 6

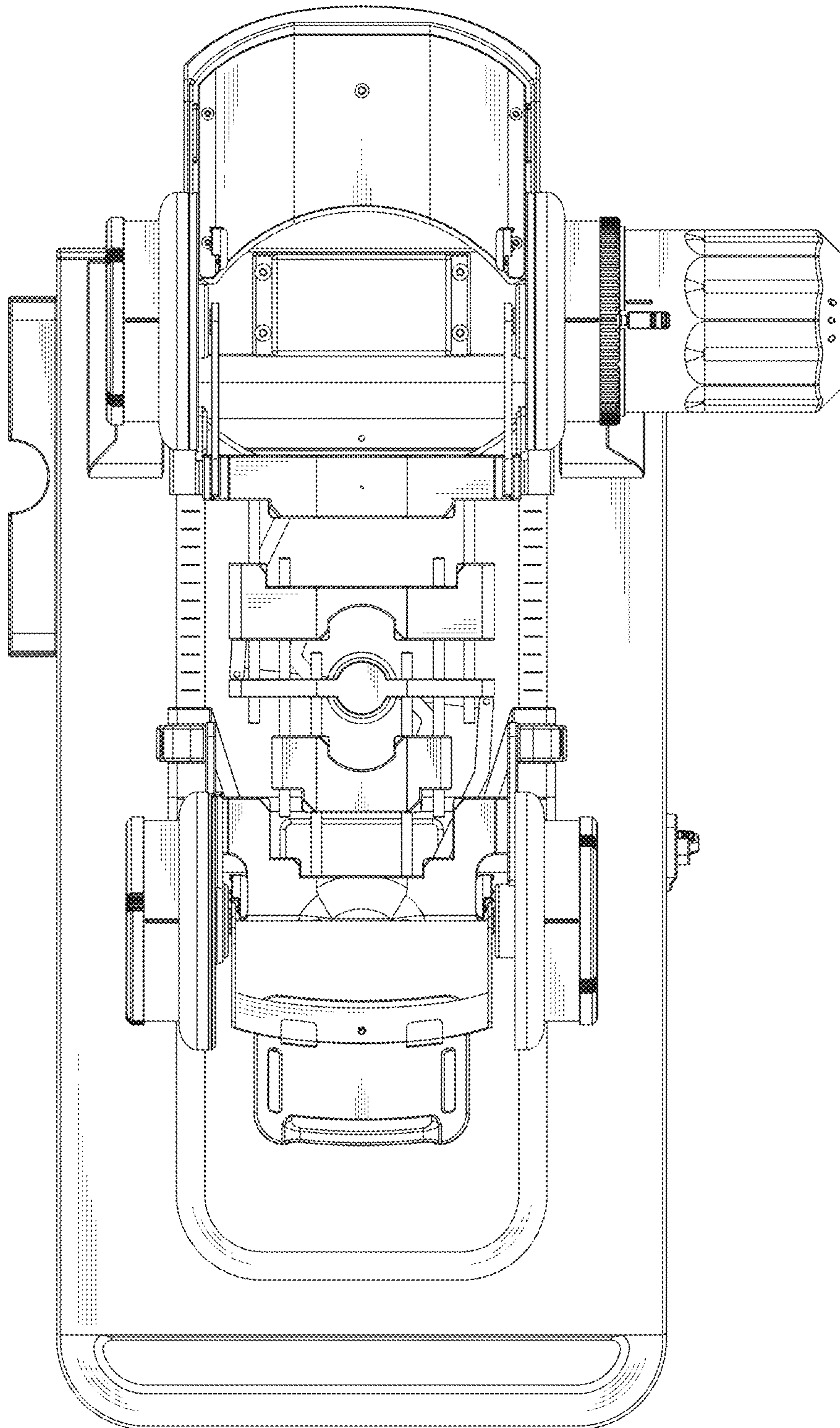


FIG. 7

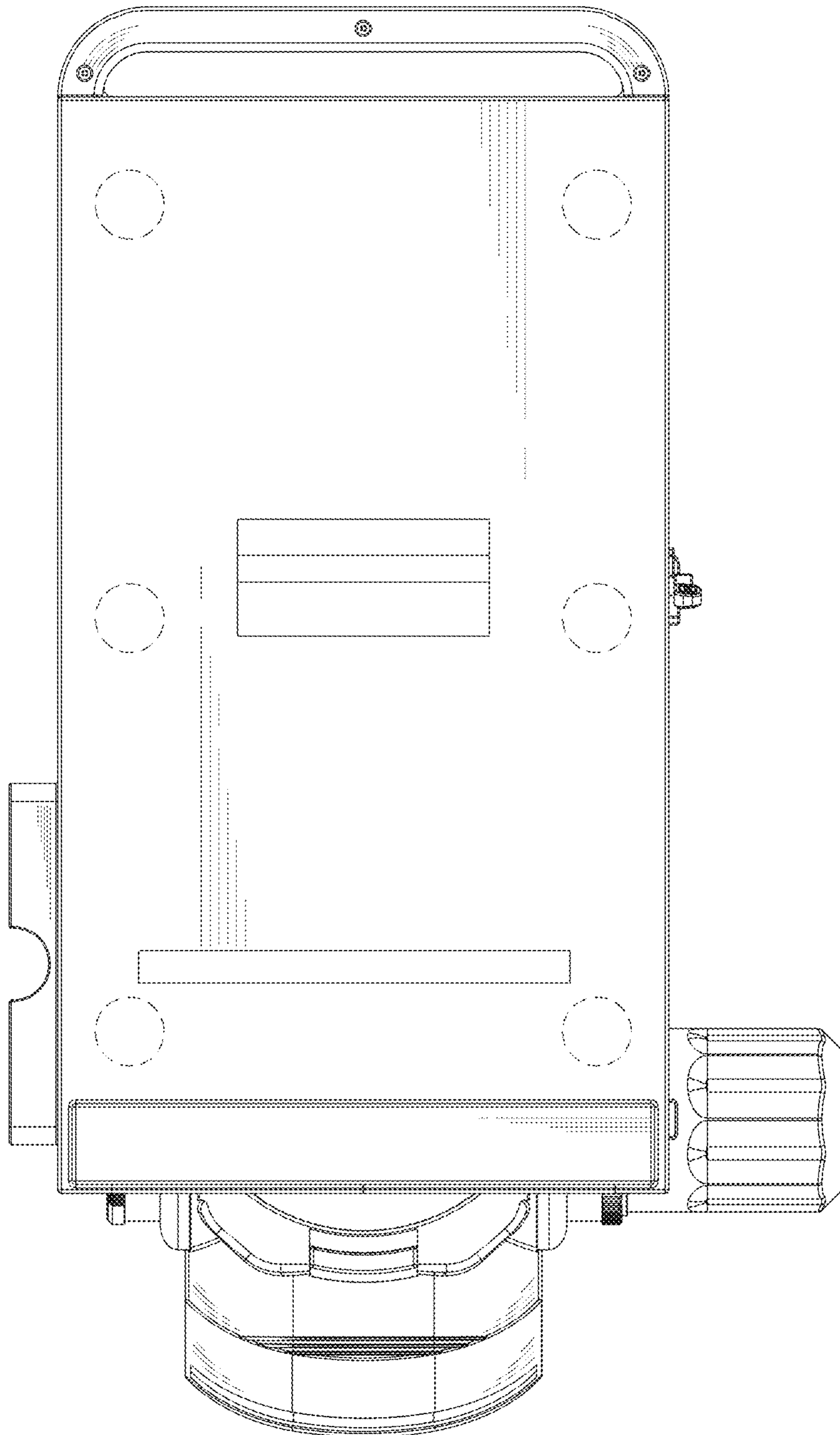


FIG. 8

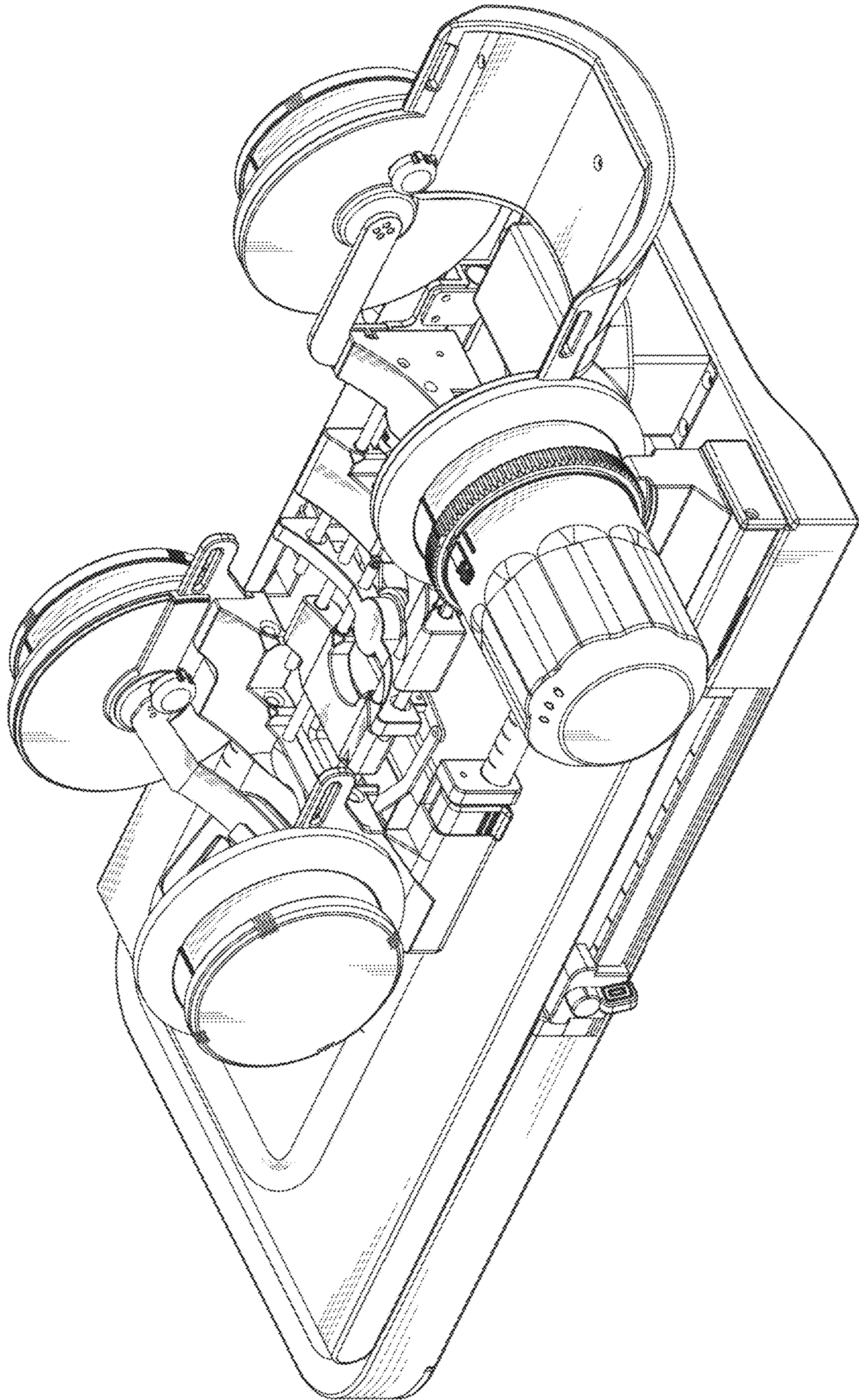


FIG. 9

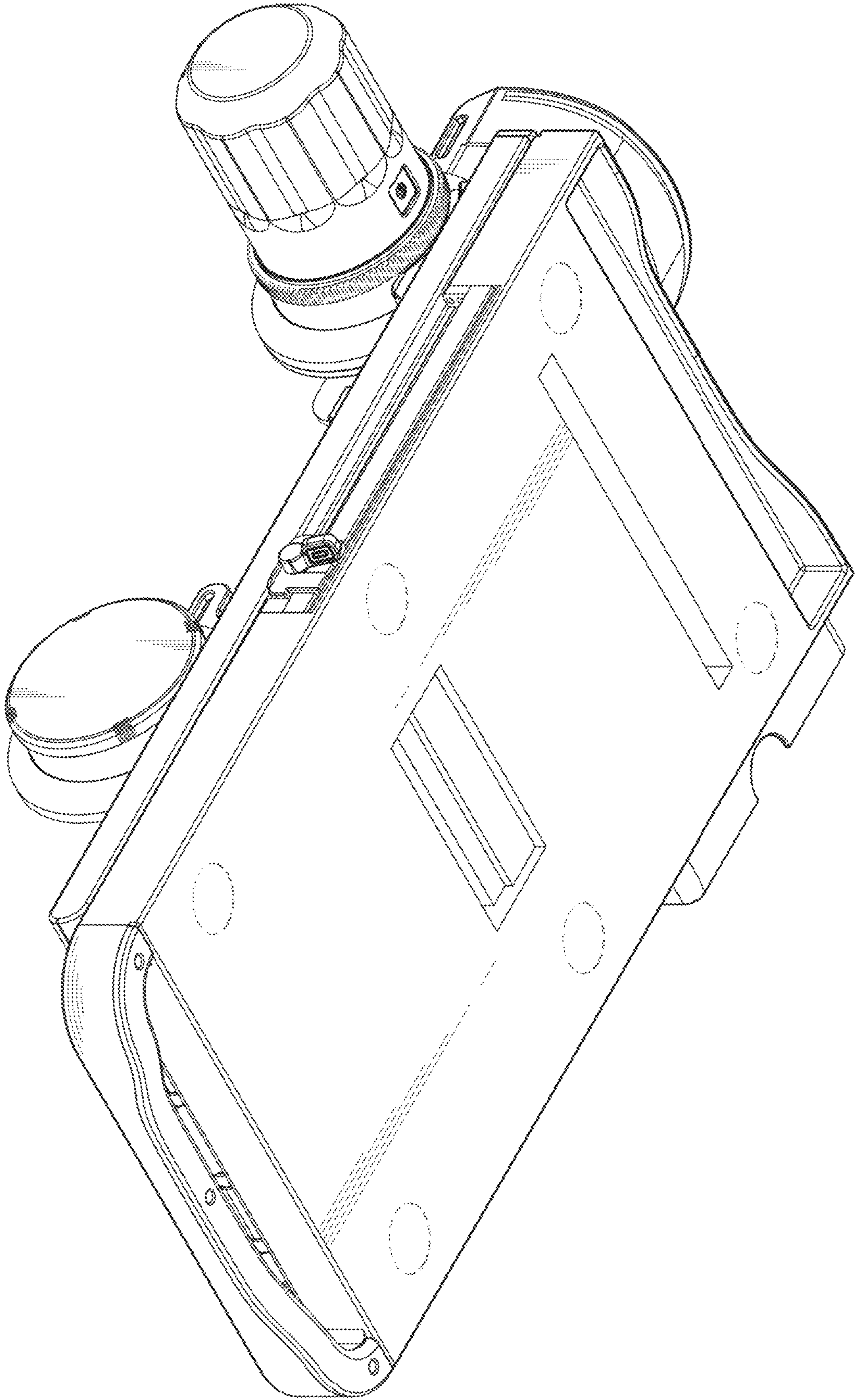


FIG. 10

