



US00D939095S

(12) **United States Design Patent**
Ren

(10) **Patent No.:** **US D939,095 S**

(45) **Date of Patent:** **** Dec. 21, 2021**

- (54) **DORSAL NIGHT SPLINT**
- (71) Applicant: **Shuai Ren**, Shenzhen (CN)
- (72) Inventor: **Shuai Ren**, Shenzhen (CN)
- (**) Term: **15 Years**
- (21) Appl. No.: **29/719,173**
- (22) Filed: **Dec. 31, 2019**
- (51) **LOC (13) Cl.** **24-02**
- (52) **U.S. Cl.**
USPC **D24/192; D24/190**
- (58) **Field of Classification Search**
USPC D24/188–190, 145, 191, 192; D29/121.1,
D29/113, 114
CPC A61F 13/0203; A61F 13/023; A61F
13/0276; A61F 13/0246; A61F 13/022;
A61F 13/0259; A61F 2013/00846; A61F
2013/00604; A61F 5/0111; A61F 5/0113;
A61F 5/0195; A61F 5/01; A61F 5/0585;
A61F 5/058; A61F 5/05875; A61F
13/065; A61F 13/066; A61L 15/58; A61L
15/26
See application file for complete search history.

- D394,905 S * 6/1998 Duback D24/192
 - D395,514 S * 6/1998 Stano D24/192
 - 5,776,090 A * 7/1998 Bergmann A61F 5/0111
128/882
 - D397,797 S * 9/1998 Chiang D24/192
 - D412,581 S * 8/1999 Brennan D24/192
 - D425,672 S * 5/2000 Ayala D2/901
 - 6,090,059 A * 7/2000 Wasserman A61F 5/0111
602/23
 - D431,296 S * 9/2000 Swedberg D24/192
- (Continued)

OTHER PUBLICATIONS

Plantar Fasciitis Splint Night, [site visited Jul. 29, 2021]. Available from Internet. URL: https://www.amazon.com/dp/B095Z47YJT/ref=sspa_dk_detail_4?pd_rd_i=B095Z47YJT&pd_rd_w=wCRFx&pf_rd_p=eff89026-4a7e-4247-9014-41bfda9dafc0&pd_rd_... (Year: 2021).*

Primary Examiner — T Chase Nelson
Assistant Examiner — Kelly L Gross
(74) *Attorney, Agent, or Firm* — Law Offices of Steven W. Weinrieb

(57) **CLAIM**

The ornamental design for a dorsal night splint, as shown and described.

DESCRIPTION

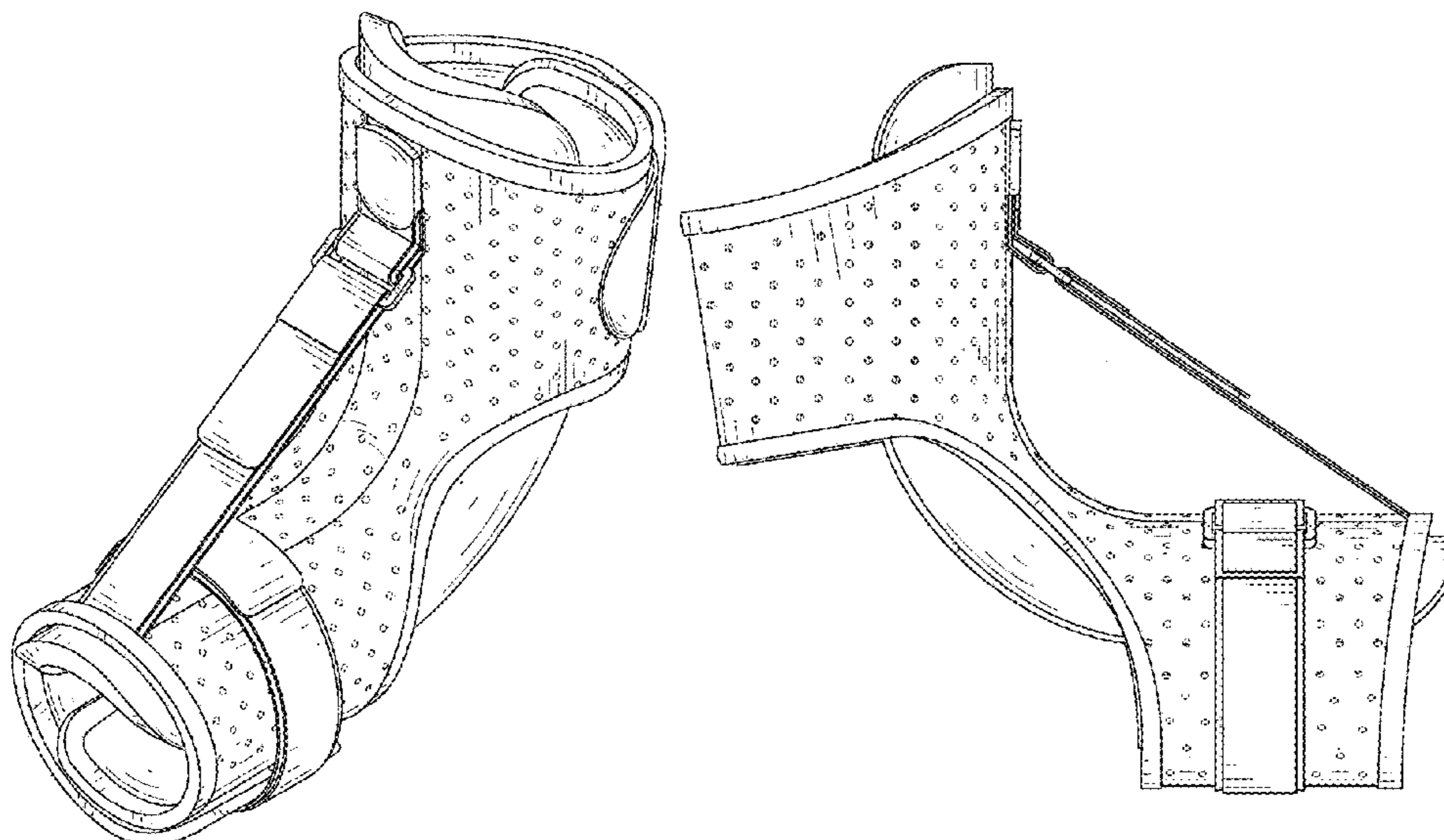
FIG. 1 is a front, left side, top perspective view of a dorsal night splint showing my new design;
FIG. 2 is a rear, right side, bottom perspective view thereof;
FIG. 3 is a front elevational view thereof;
FIG. 4 is a rear elevational view thereof;
FIG. 5 is a left side elevational view thereof;
FIG. 6 is a right side elevational view thereof;
FIG. 7 is a top plan view thereof; and,
FIG. 8 is a bottom plan view thereof.
The broken lines depict portions of the dorsal night splint that form no part of the claimed design.

1 Claim, 8 Drawing Sheets

(56) **References Cited**

U.S. PATENT DOCUMENTS

- 3,527,209 A * 9/1970 Baker A61F 5/0113
602/28
- D338,273 S * 8/1993 Williams D24/190
- D345,421 S * 3/1994 Schumann D24/190
- D358,891 S * 5/1995 Miller D24/192
- D375,164 S * 10/1996 Wasserman D24/192
- D388,173 S * 12/1997 Eriksson D24/190
- D388,174 S * 12/1997 Stano D24/192
- 5,700,237 A * 12/1997 Hess A61F 5/0111
602/16
- D394,110 S * 5/1998 Duback D24/192
- D394,111 S * 5/1998 Duback D24/192
- D394,112 S * 5/1998 Duback D24/192



(56)

References Cited

U.S. PATENT DOCUMENTS

6,126,627 A * 10/2000 Brennan A61F 5/0111
602/23
D434,504 S * 11/2000 Miller D24/192
D436,177 S * 1/2001 Miller D24/192
D454,200 S * 3/2002 Lamping D24/192
D475,789 S * 6/2003 McCormick D24/190
D477,413 S * 7/2003 Schirrmacher D24/206
D481,798 S * 11/2003 Slautterback D24/192
D482,792 S * 11/2003 McCormick D24/192
D495,095 S * 8/2004 Beland D29/120.1
D497,207 S * 10/2004 Slautterback D24/192
D499,185 S * 11/2004 Rabe D24/192
6,827,696 B1 * 12/2004 Maguire A61F 5/0111
602/16
D515,217 S * 2/2006 Machin D24/192
D530,016 S * 10/2006 Sroufe D24/192
7,115,105 B2 * 10/2006 Cropper A61F 5/0111
602/27
D553,251 S * 10/2007 Watts D24/192
D618,359 S * 6/2010 Einarsson D24/192
D638,950 S * 5/2011 Janzon D24/192
D643,537 S * 8/2011 Lee D24/192
D649,651 S * 11/2011 Weaver, II D24/192
8,409,123 B2 * 4/2013 Hoffmeier A61F 5/30
602/28
D682,434 S * 5/2013 Heyd D24/192
8,475,397 B2 * 7/2013 Chiu A61F 5/0127
602/28

D693,472 S * 11/2013 Huiner D24/192
D696,409 S * 12/2013 Best D24/192
D700,404 S * 2/2014 Niefer D29/121.2
D708,344 S * 7/2014 Best D24/192
D757,290 S * 5/2016 Chen D24/215
D779,077 S * 2/2017 Ledezma D24/192
D798,970 S * 10/2017 Handshoe D21/685
D814,043 S * 3/2018 Danek D24/192
D819,219 S * 5/2018 Izuka D24/190
D819,822 S * 6/2018 Schmitt D24/192
D834,205 S * 11/2018 Ducharme D24/192
D834,206 S * 11/2018 Ducharme D24/192
D839,439 S * 1/2019 Ducharme D24/192
D848,625 S * 5/2019 Chase D24/190
D859,670 S * 9/2019 Rokitta D24/192
10,406,013 B2 * 9/2019 Hoffmeier A61H 1/0266
D872,288 S * 1/2020 Zhang D24/192
D872,289 S * 1/2020 Zhang D24/192
D873,424 S * 1/2020 Zhang A61F 5/30
D24/192
D882,099 S * 4/2020 Zhu D24/190
D884,910 S * 5/2020 Schiaparelli A61F 5/0111
D24/192
D885,594 S * 5/2020 Schiaparelli A61F 5/0111
D24/192
D897,547 S * 9/2020 Kuehl A61F 5/0111
D24/192
D921,207 S * 6/2021 Chase A61H 1/0266
D923,805 S * 6/2021 Li A61F 5/0111
D24/206

* cited by examiner

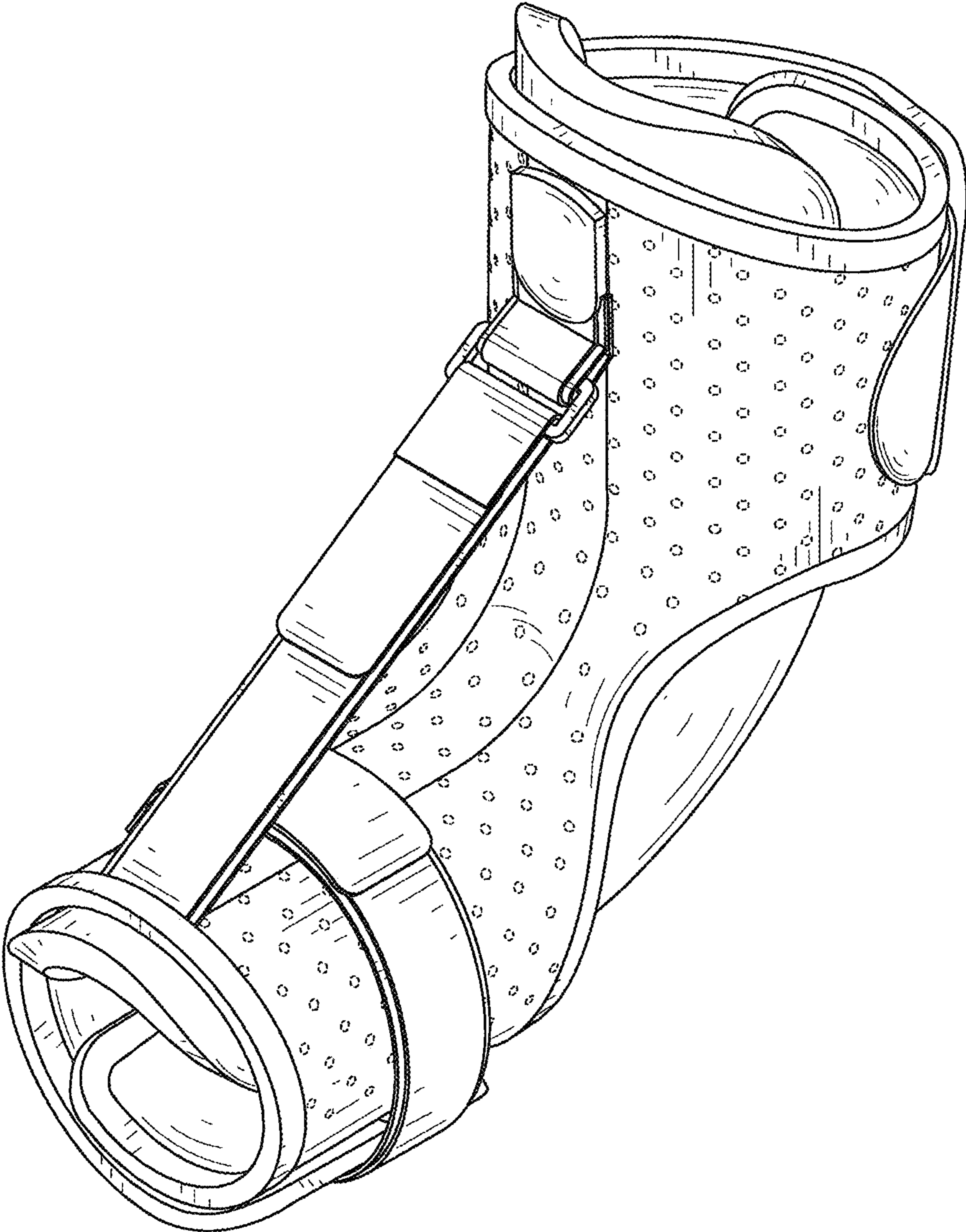


FIG. 1

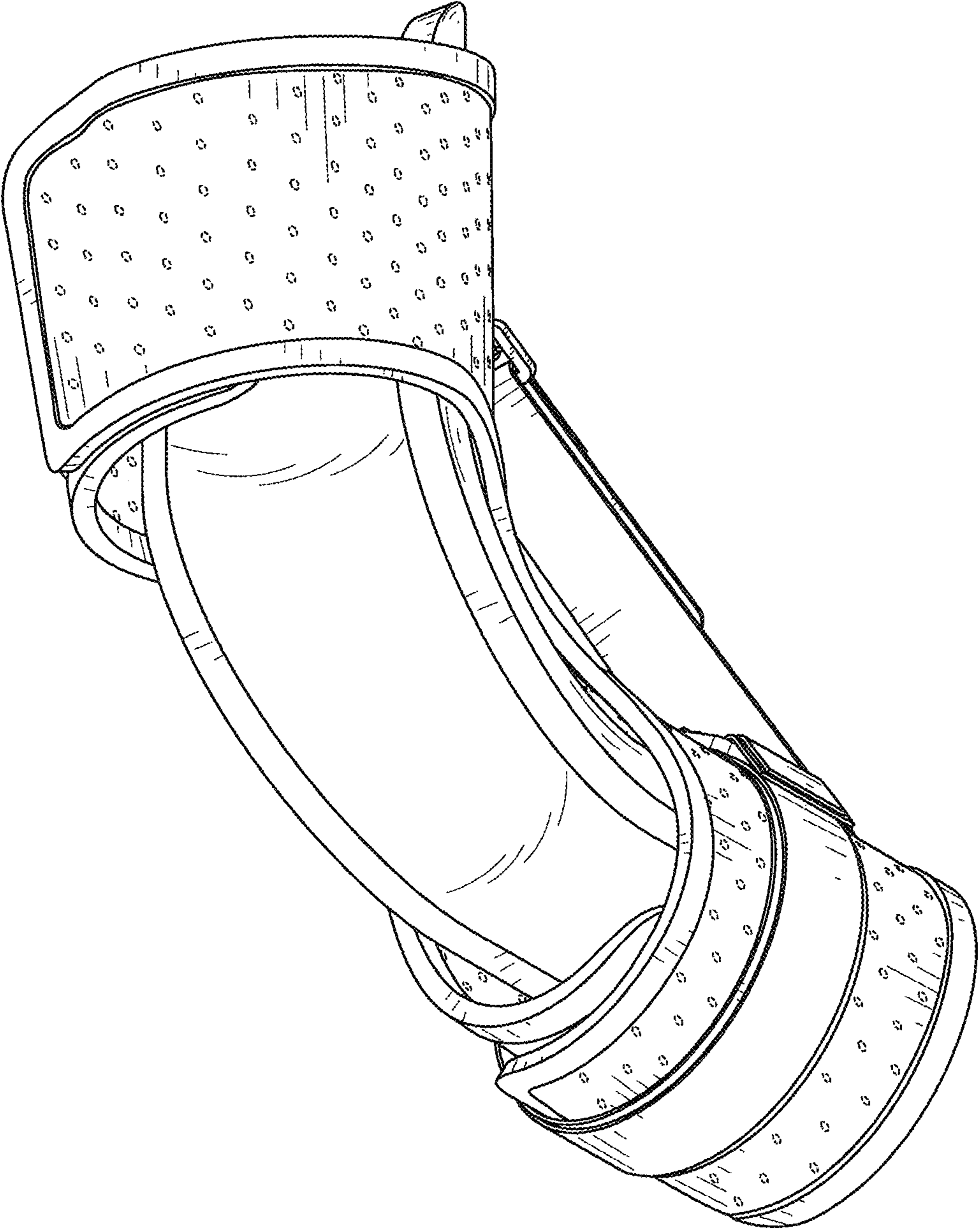


FIG. 2

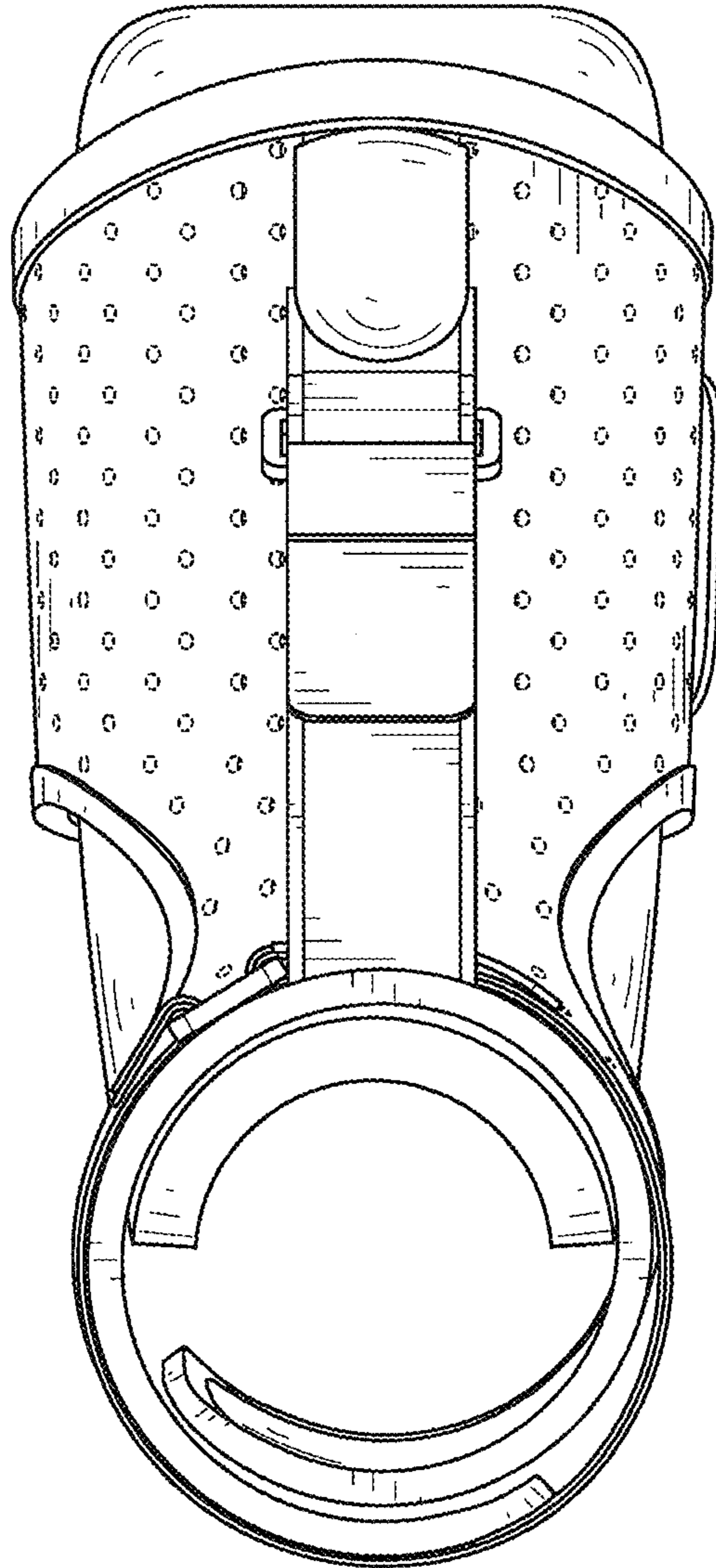


FIG. 3

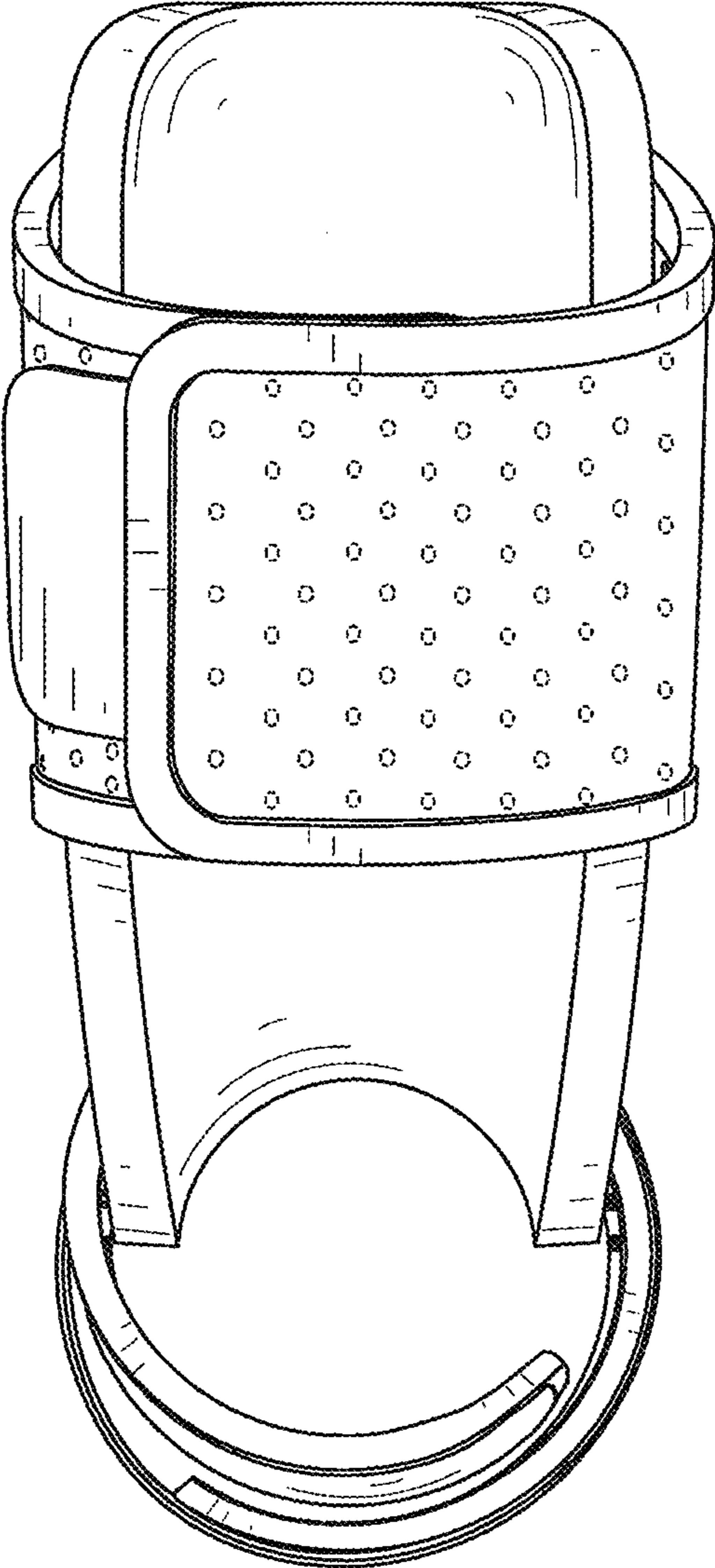


FIG. 4

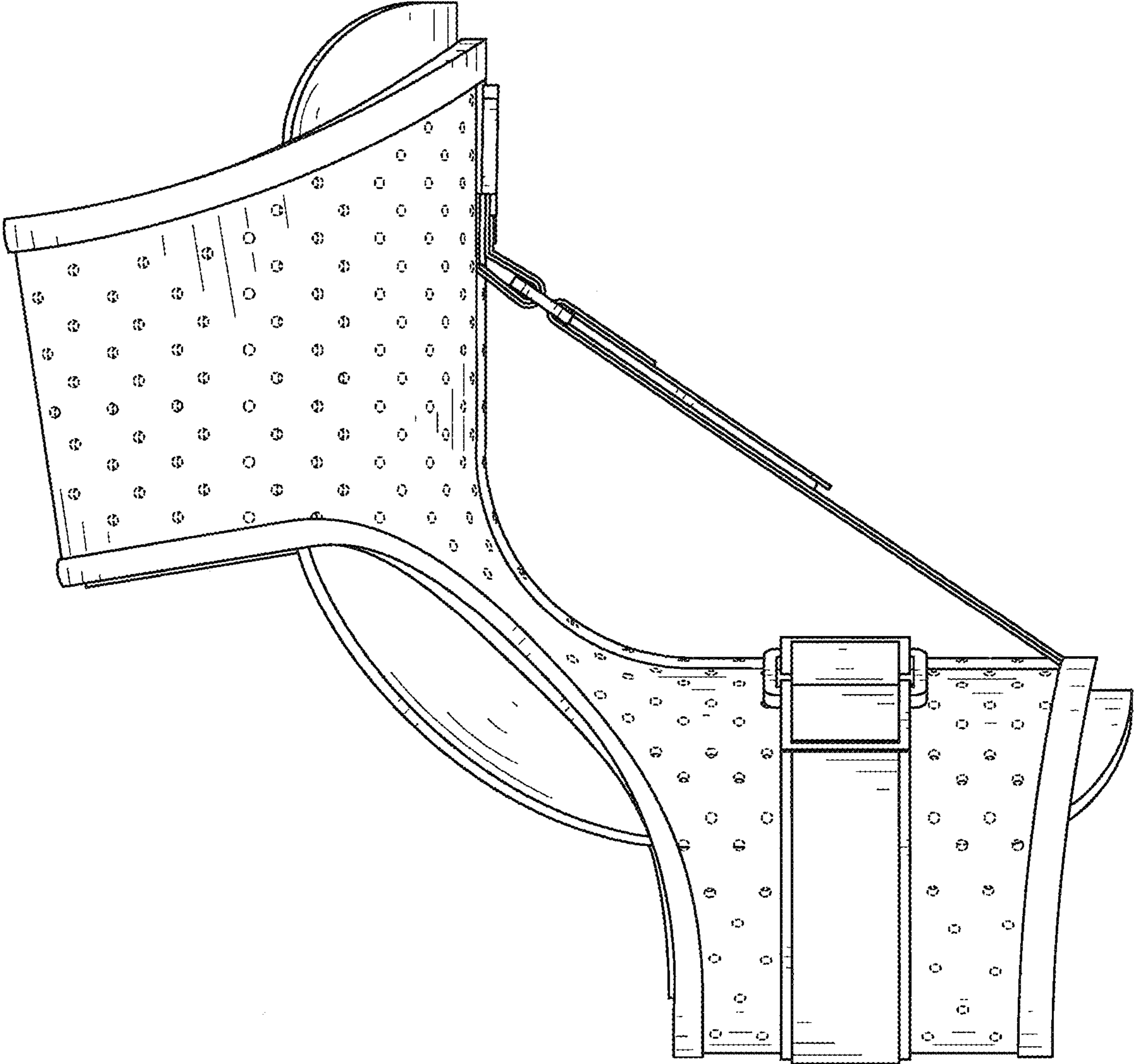


FIG. 5

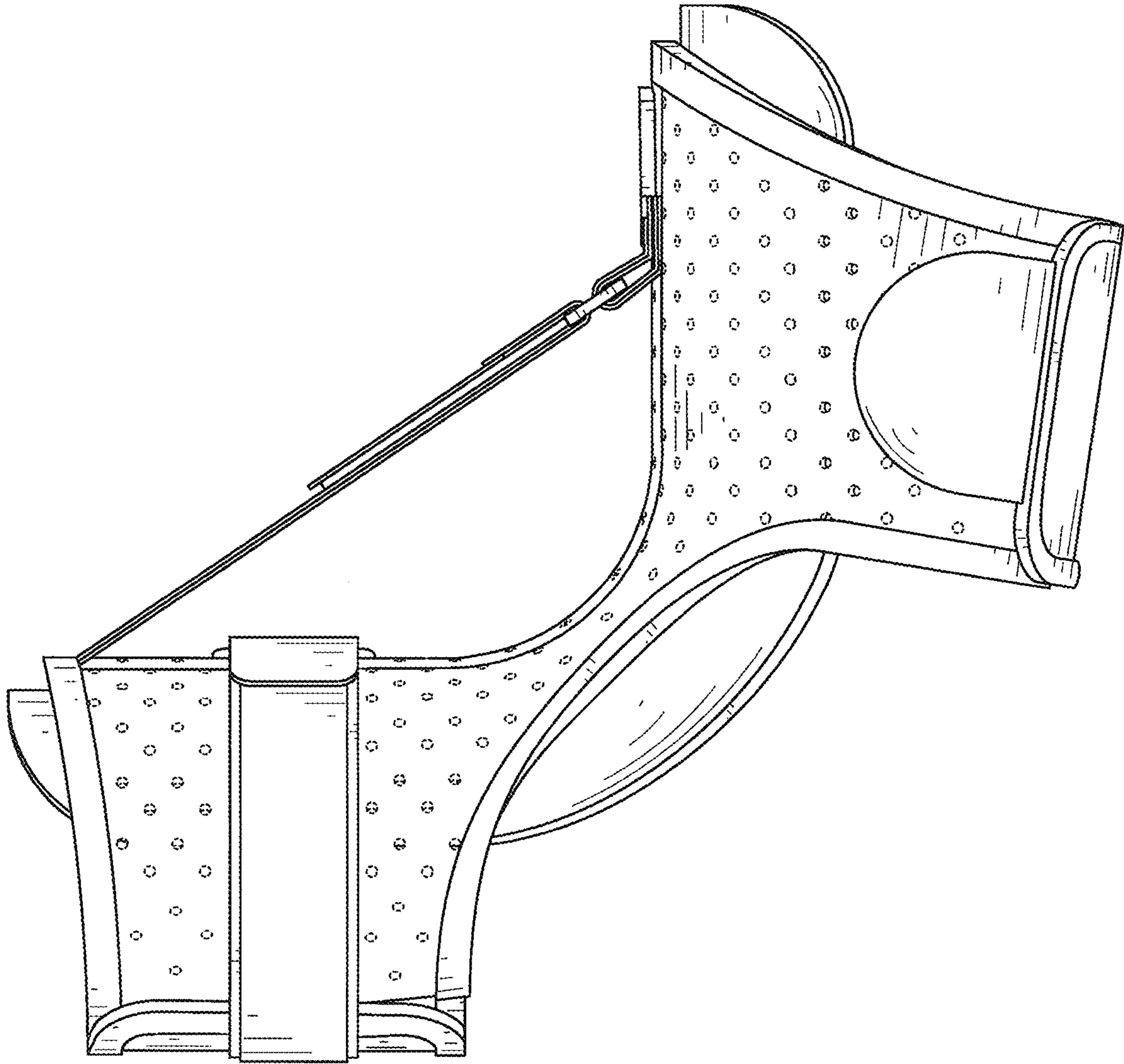


FIG. 6

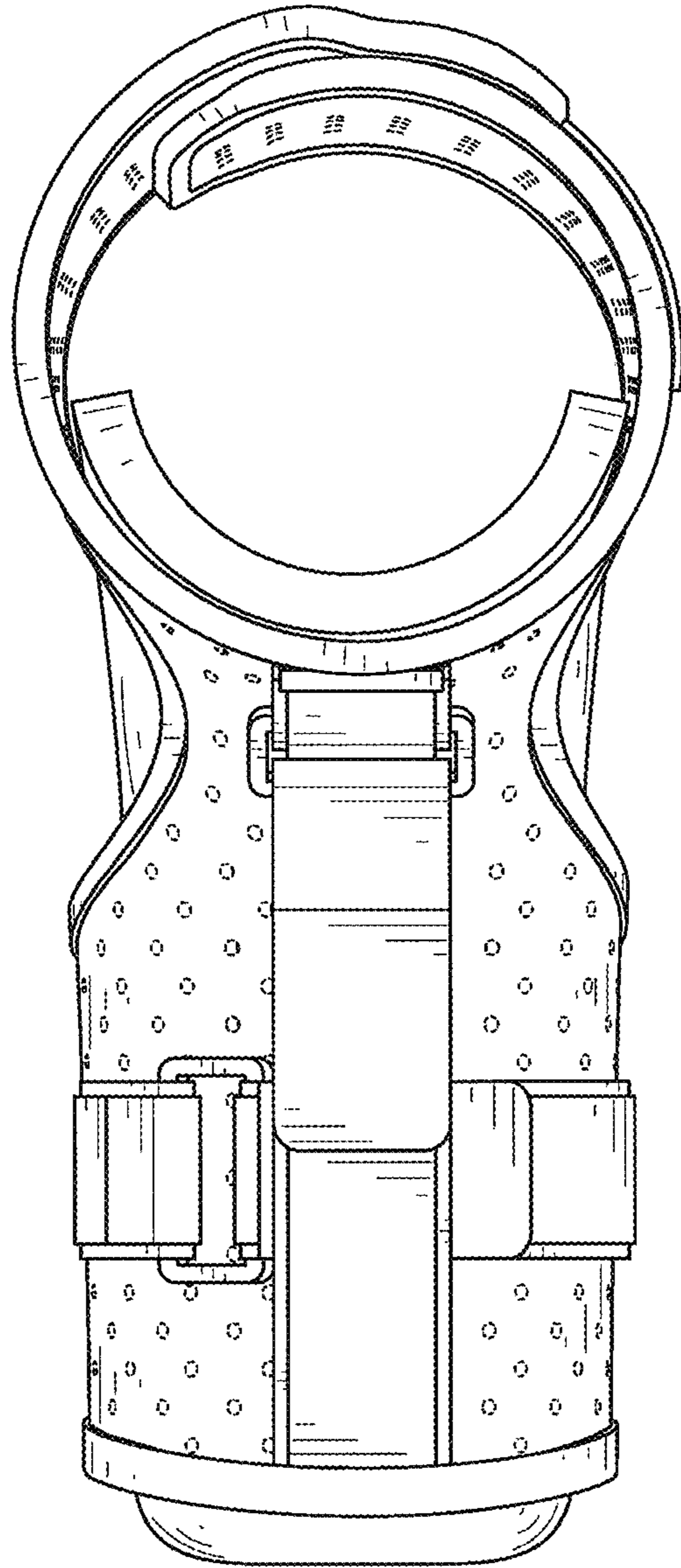


FIG. 7

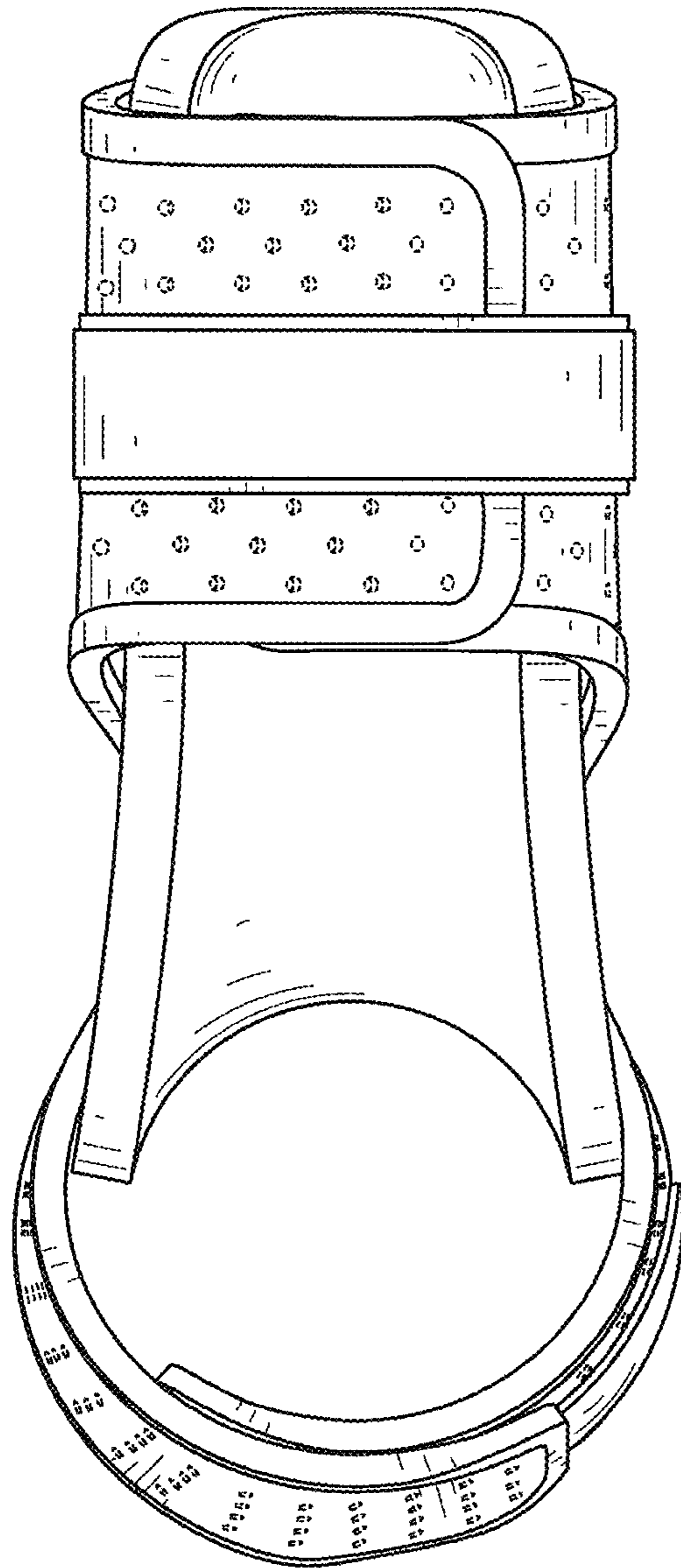


FIG. 8