



US00D939094S

(12) **United States Design Patent**
Papp et al.

(10) **Patent No.:** **US D939,094 S**

(45) **Date of Patent:** **** Dec. 21, 2021**

(54) **ORTHOSIS**

(71) Applicant: **Ottobock SE & Co. KGaA**, Duderstadt (DE)

(72) Inventors: **Emese Papp**, Dresden (DE); **Michael Bremer**, Göttingen (DE); **Maximilian Anton Merker**, Wuppertal (DE)

(73) Assignee: **OTTOBOCK SE & CO. KGAA**, Duderstadt (DE)

(**) Term: **15 Years**

(21) Appl. No.: **29/728,391**

(22) Filed: **Mar. 18, 2020**

(51) **LOC (13) Cl.** **24-01**

(52) **U.S. Cl.**
USPC **D24/191**

(58) **Field of Classification Search**
USPC D24/188, 190, 191; D29/100, 101.2
CPC A47C 7/383; A47C 16/00; A47C 7/38;
A47C 20/026; A47C 1/036; A47C 7/72;
A61F 5/055; A61F 5/3707; A61F 2/3609;
A47G 9/10; A47G 9/1081; A47G
2009/1018
See application file for complete search history.

(56) **References Cited**

U.S. PATENT DOCUMENTS

3,601,123 A * 8/1971 McFarland A61F 5/055
602/18
7,846,117 B2 * 12/2010 Leatt A41D 13/0512
602/18

D643,978 S * 8/2011 Abajo Alonso D29/101.2
D649,649 S * 11/2011 Leatt D24/191
D719,265 S * 12/2014 Wang D24/171
D754,864 S * 4/2016 Heath D24/191
D815,747 S * 4/2018 Kellock B60N 2/80
D24/190

10,039,337 B2 * 8/2018 Heath A42B 3/085

* cited by examiner

Primary Examiner — Jennifer L Watkins

(74) *Attorney, Agent, or Firm* — Holland & Hart LLP

(57) **CLAIM**

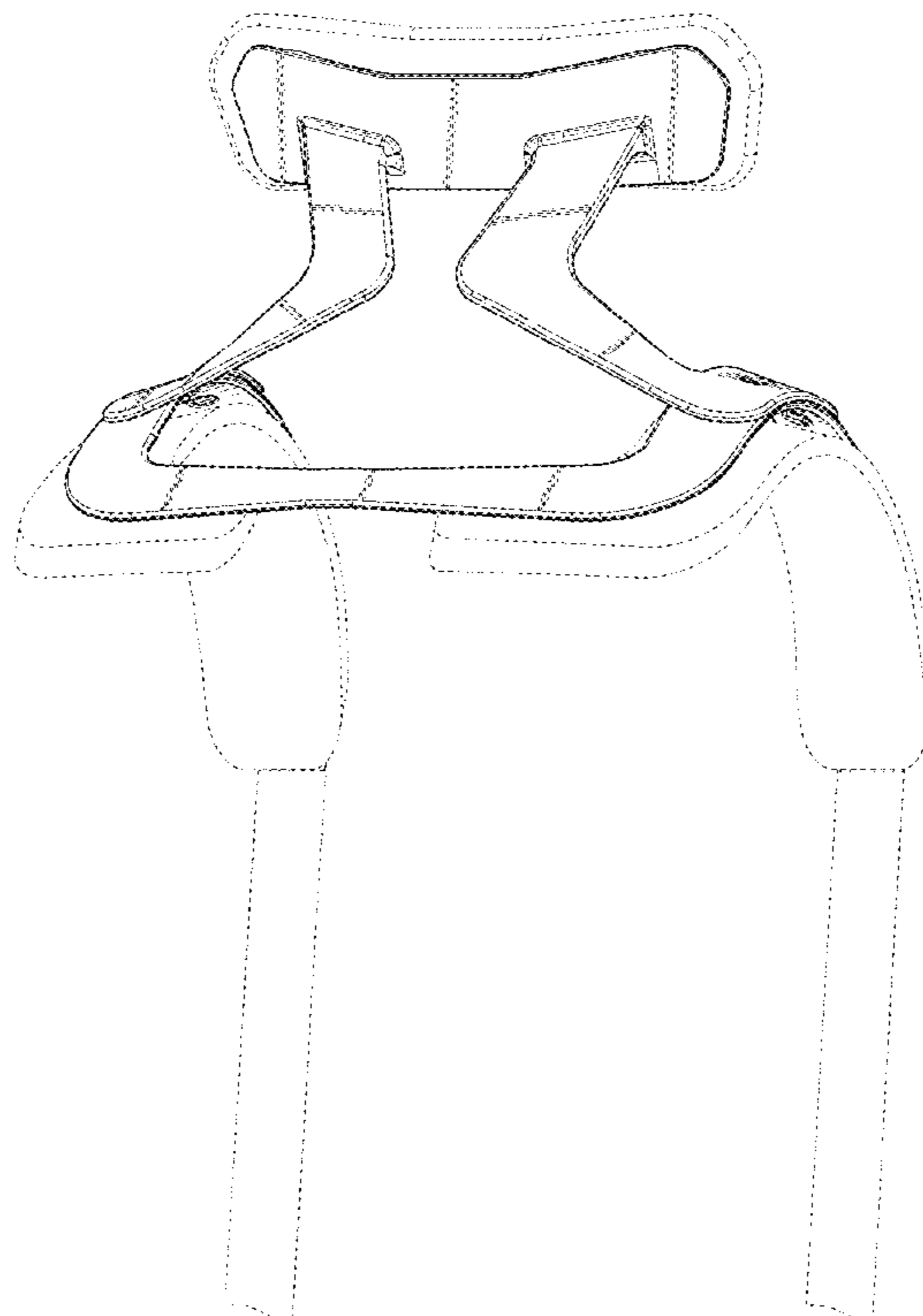
The ornamental design for an orthosis, as shown and described.

DESCRIPTION

FIG. 1 is a rear perspective view of an orthosis according to the present invention;
FIG. 2 is a front perspective view thereof;
FIG. 3 is a top perspective view thereof;
FIG. 4 is a rear view thereof;
FIG. 5 is a front view thereof;
FIG. 6 is a right side view thereof;
FIG. 7 is a left side view thereof;
FIG. 8 is a bottom view thereof; and,
FIG. 9 is a top view thereof.

Any broken lines in the drawing views are included for the purpose of illustrating environment and form no part of the claimed design.

1 Claim, 9 Drawing Sheets



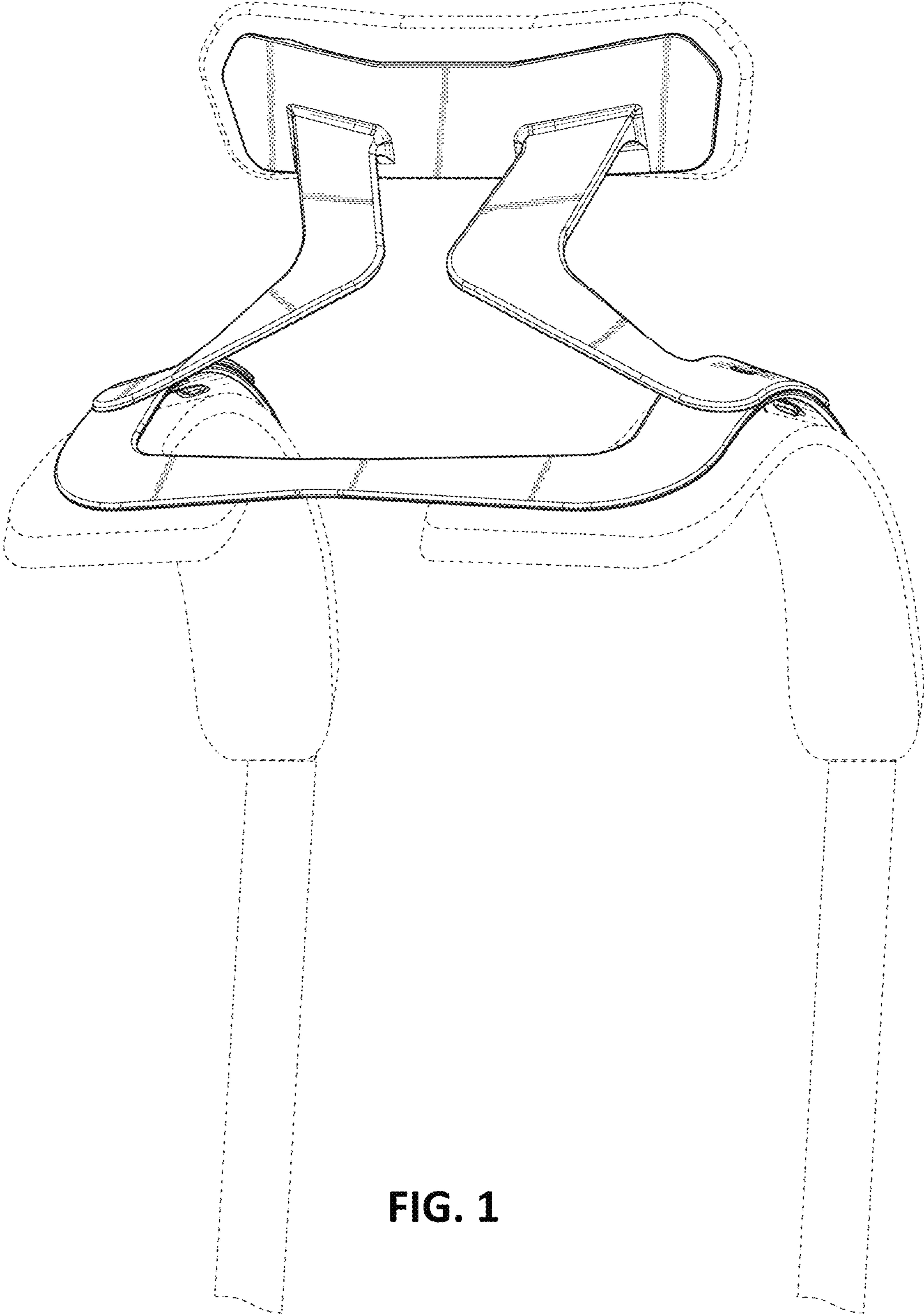


FIG. 1

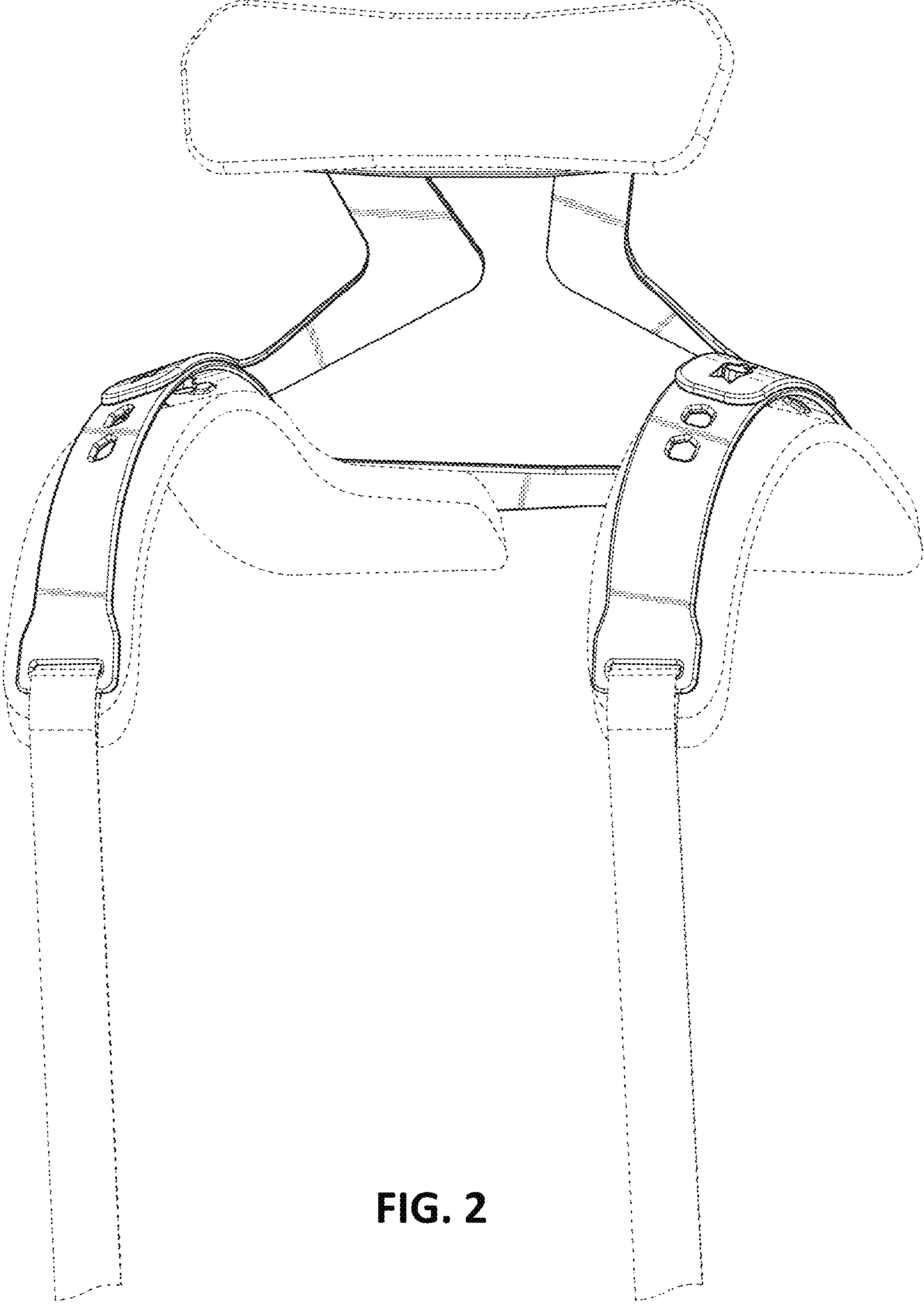


FIG. 2

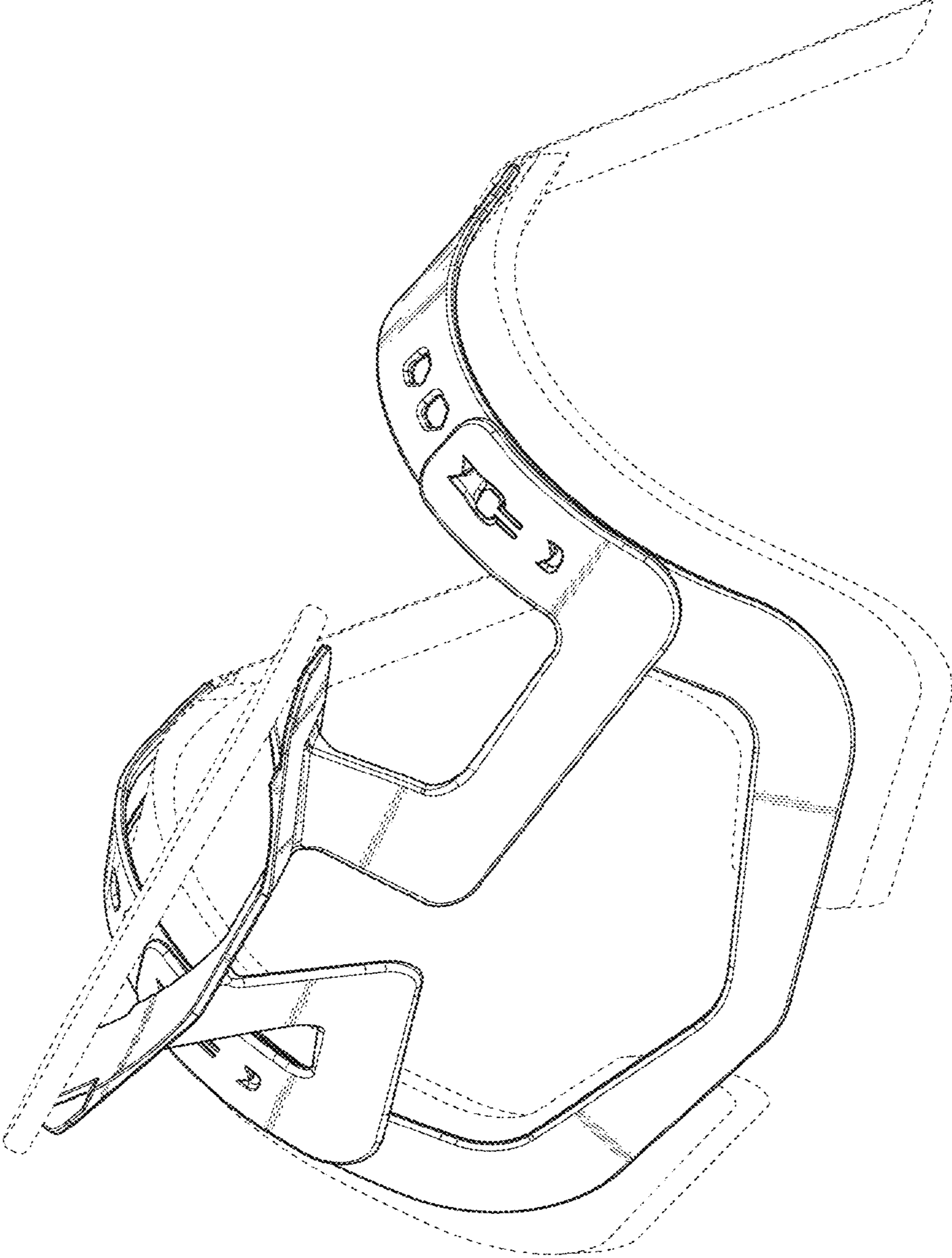


FIG. 3

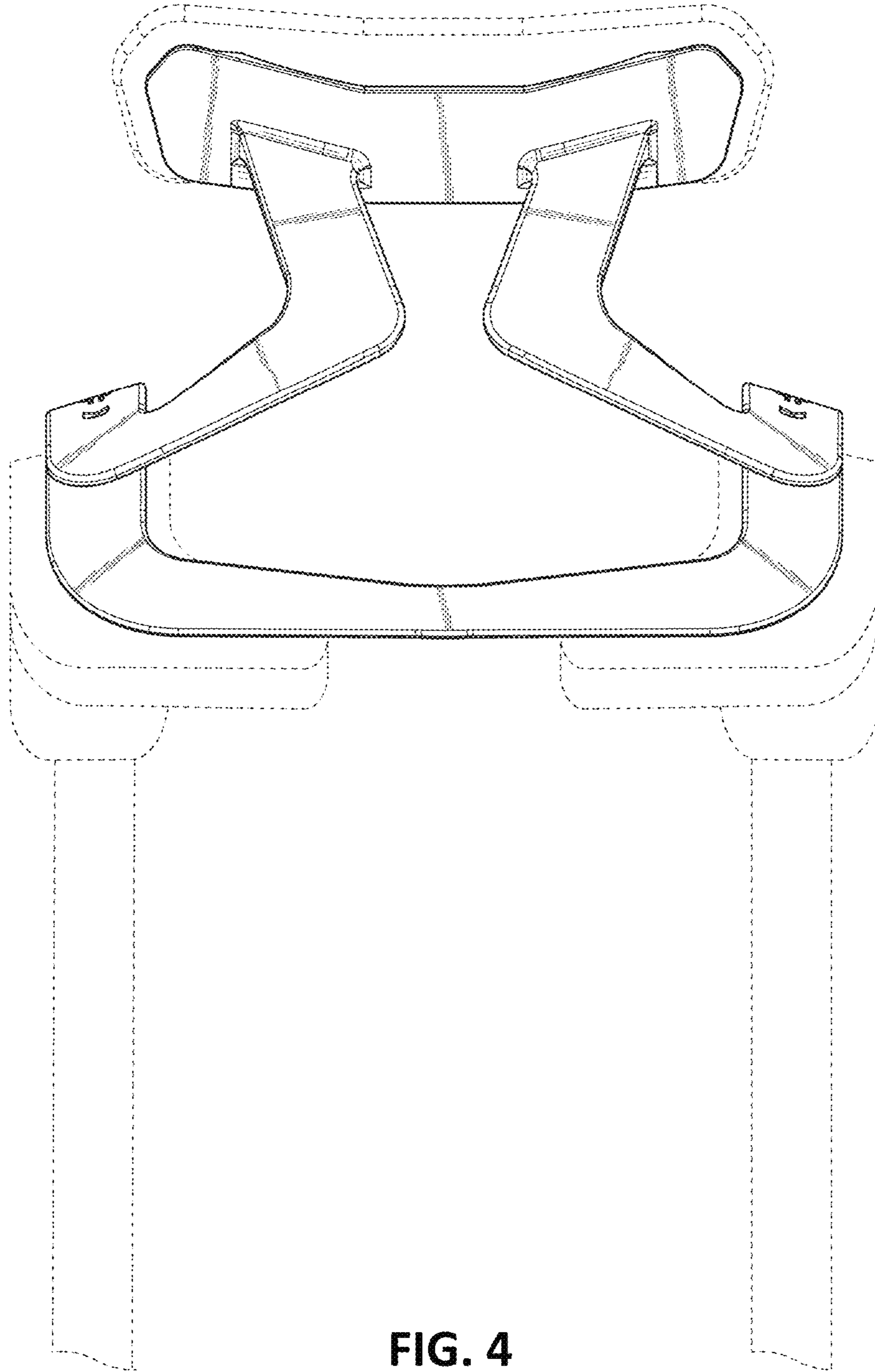


FIG. 4

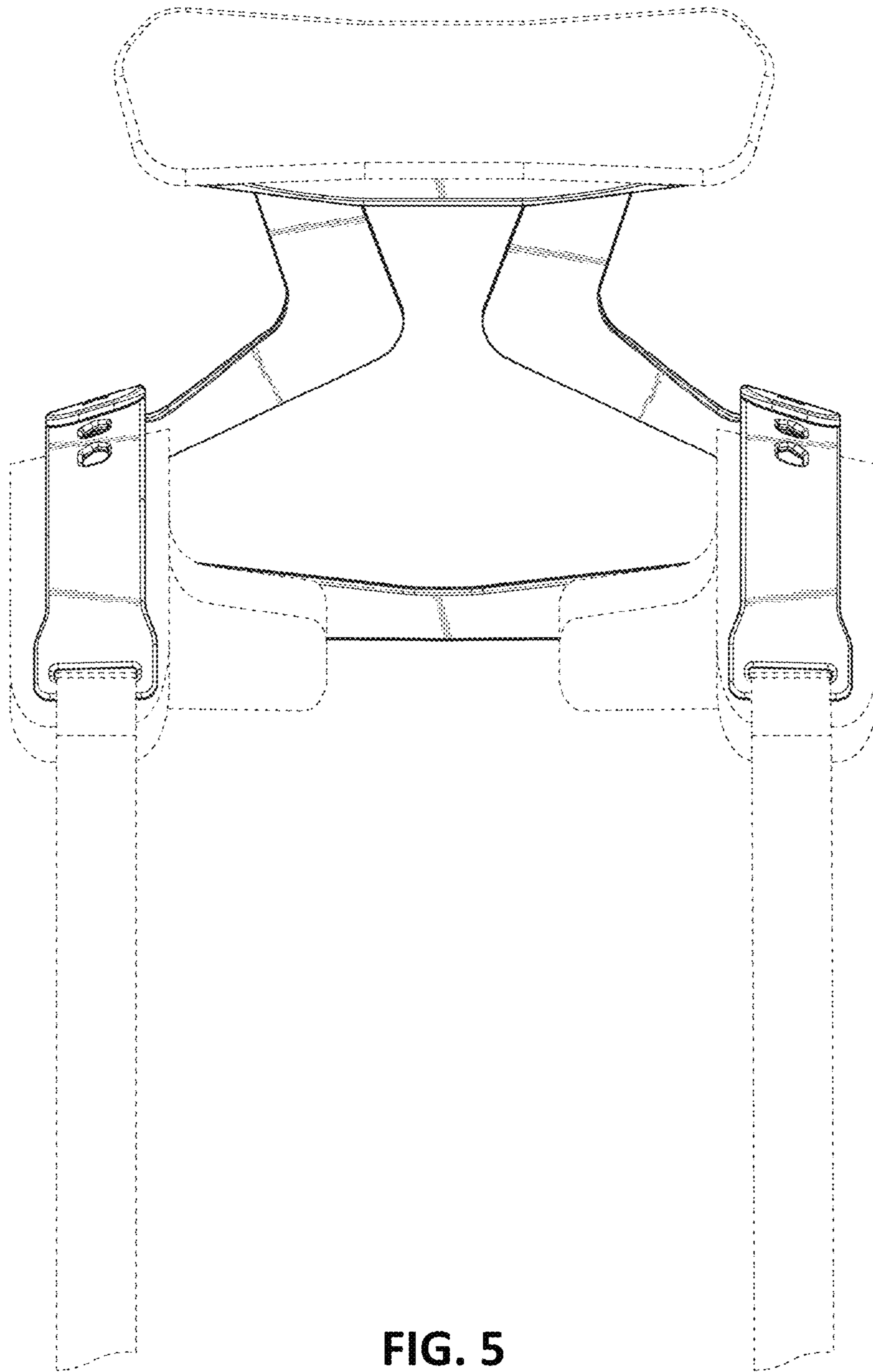


FIG. 5

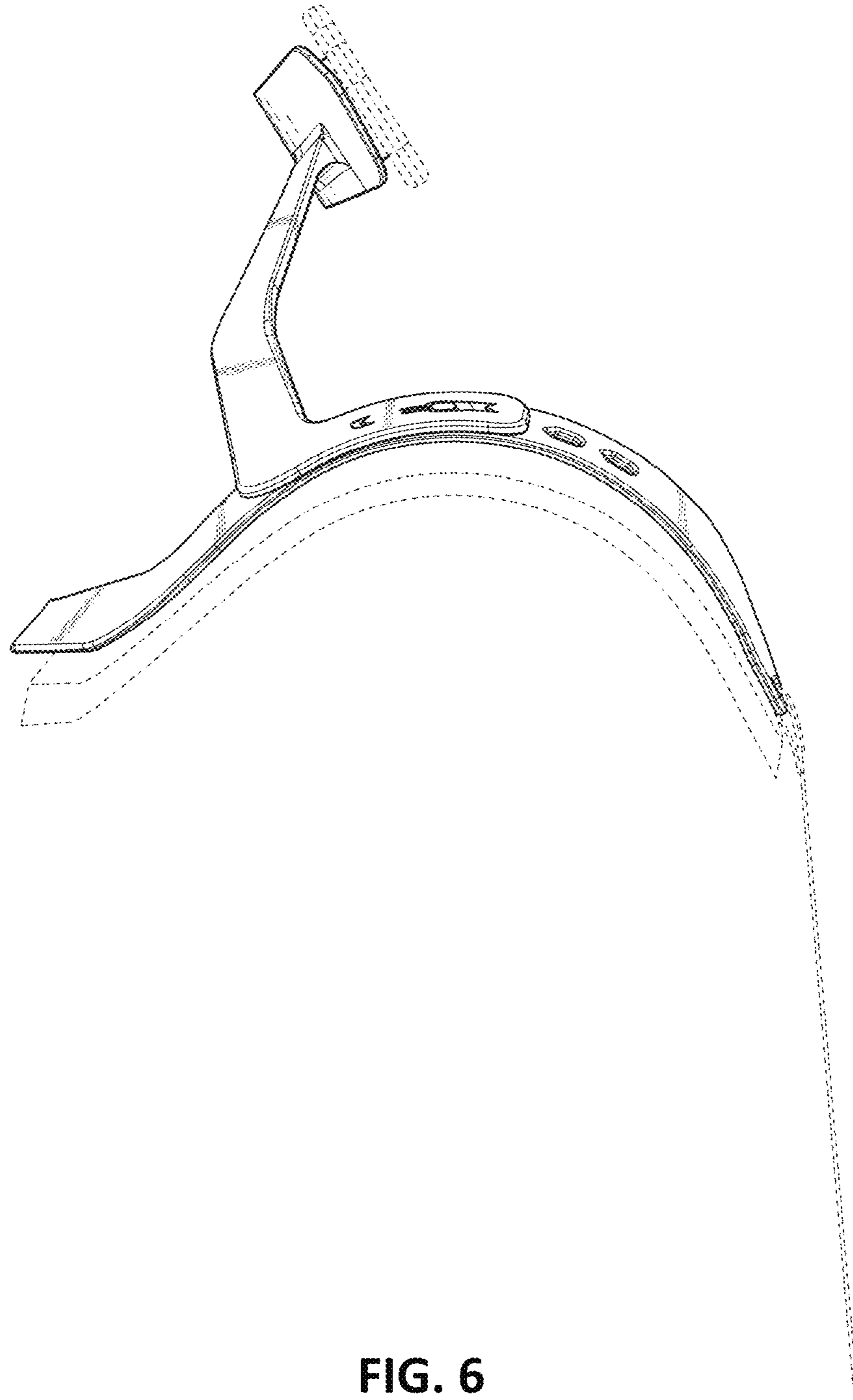


FIG. 6

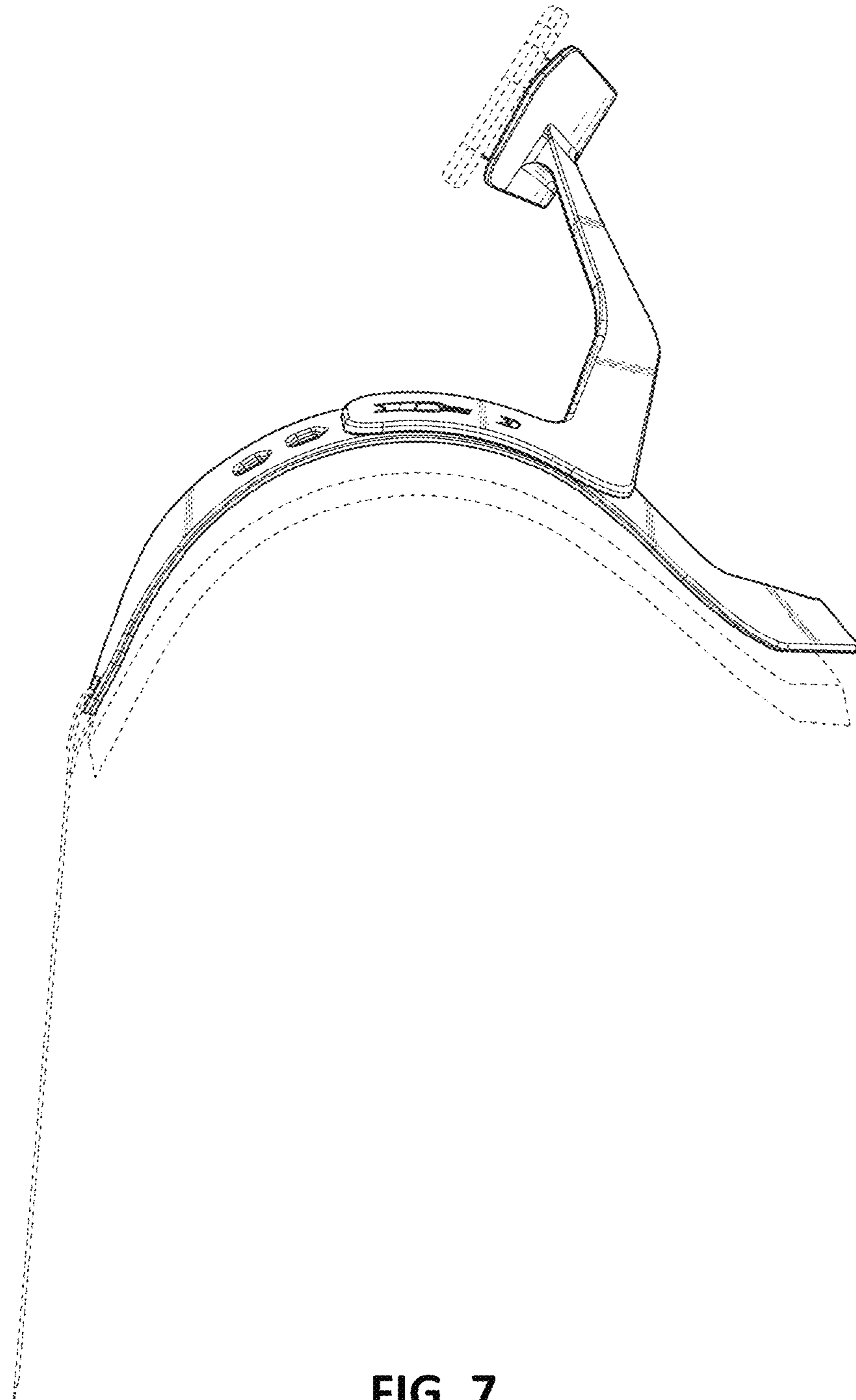


FIG. 7

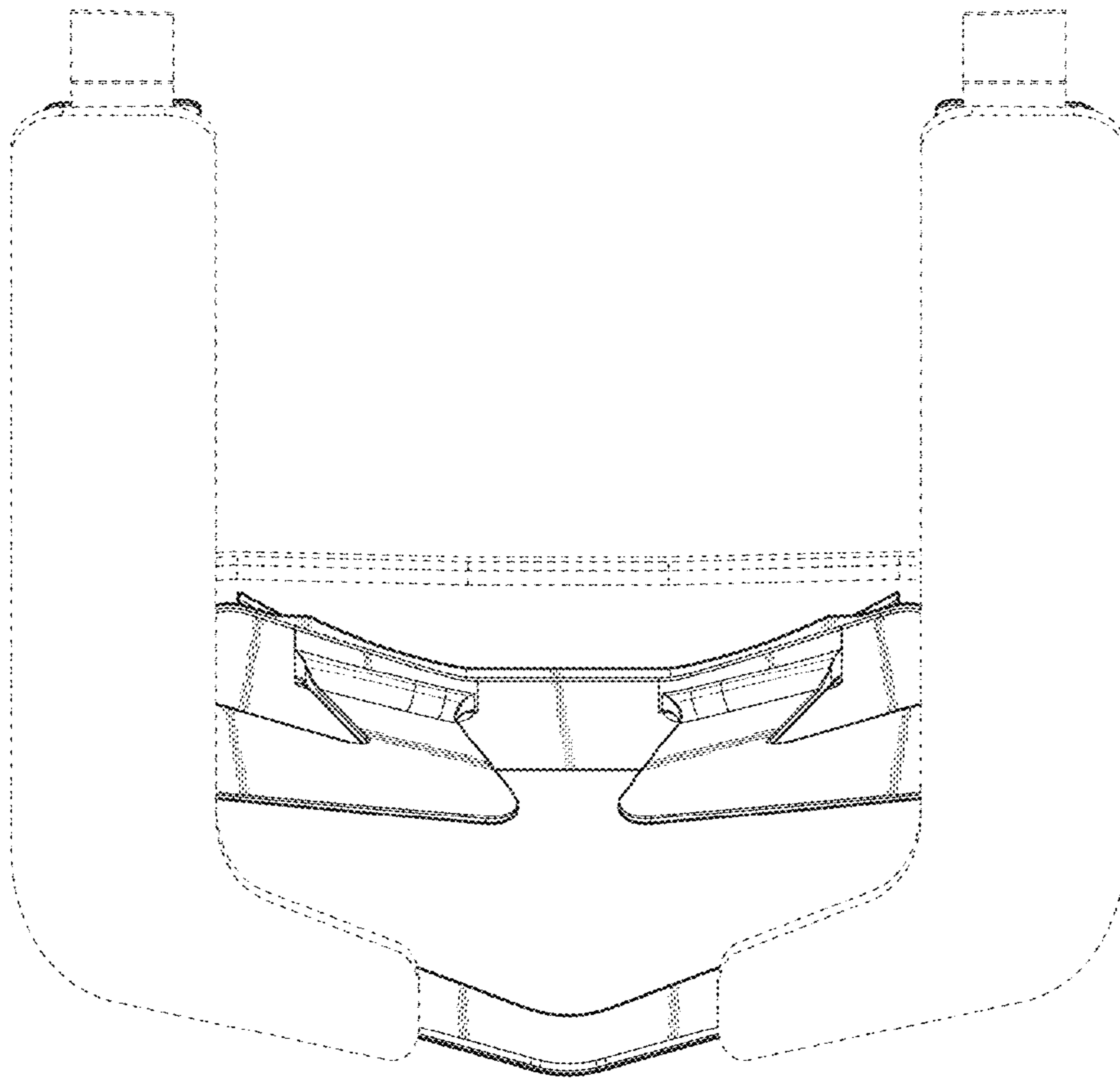


FIG. 8

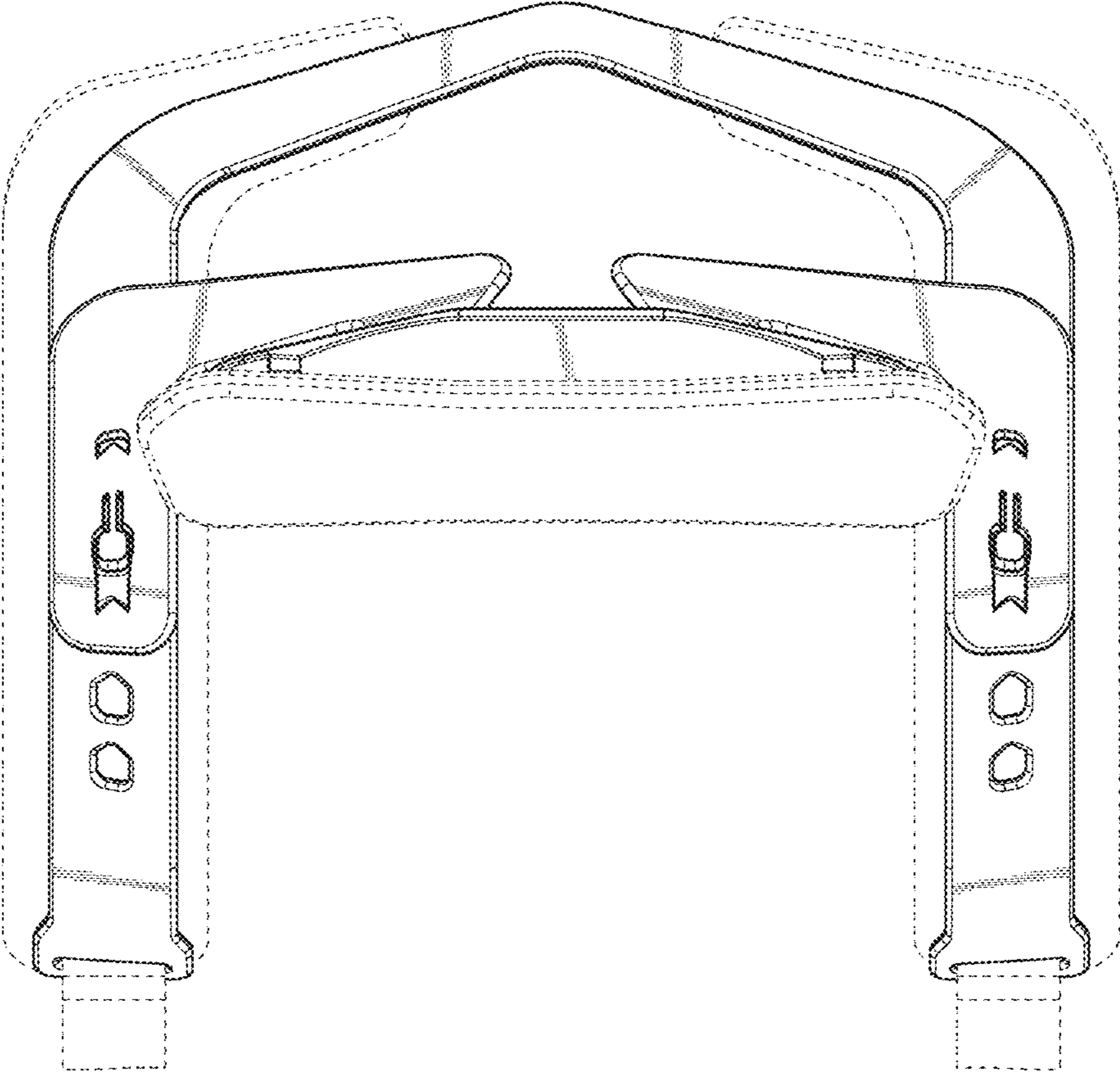


FIG. 9