



US00D939093S

(12) **United States Design Patent** (10) **Patent No.:** **US D939,093 S**
Nally et al. (45) **Date of Patent:** **** Dec. 21, 2021**

(54) **ULTRASOUND DEVICE**
(71) Applicant: **FUJIFILM SONOSITE, INC.,**
Bothell, WA (US)
(72) Inventors: **Patrick Nally, Bothell, WA (US);**
Craig Chamberlain, Bothell, WA (US)
(73) Assignee: **FUJIFILM SONOSITE, INC.,**
Bothell, WA (US)

D712,539 S * 9/2014 Hansen D24/158
D827,139 S * 8/2018 Henderson D24/160
D876,632 S * 2/2020 Henderson D24/158
D901,019 S * 11/2020 Nally D24/186
10,863,973 B2 * 12/2020 Pinch A61B 8/546
2019/0059859 A1 * 2/2019 Pinch A61B 8/4405
2020/0000430 A1 * 1/2020 Chamberlain A61B 8/4444
2020/0037988 A1 * 2/2020 Kim A61B 8/44
2020/0060649 A1 * 2/2020 Nally A61B 8/4433

* cited by examiner

(**) Term: **15 Years**

Primary Examiner — Anhdao Doan

(21) Appl. No.: **29/741,926**

(74) *Attorney, Agent, or Firm* — Womble Bond Dickinson (US) LLP

(22) Filed: **Jul. 16, 2020**

(51) **LOC (13) Cl.** **24-01**

(57) **CLAIM**

(52) **U.S. Cl.**

USPC **D24/186; D24/160**

We claim the ornamental design for an ultrasound device, as shown and described.

(58) **Field of Classification Search**

USPC D24/107, 158–161, 185, 186, 187, 137,
D24/138; D14/315, 318, 328, 336, 371,
D14/447, 434

CPC A61B 6/4405; A61B 6/4411; A61B 6/435;
A61B 6/4441; A61B 6/4447; A61B
8/4411; A61B 8/4427; A61B 8/462; A61B
8/0437; A61B 8/0883; A45F 2200/0516;
A45F 2200/0525

See application file for complete search history.

DESCRIPTION

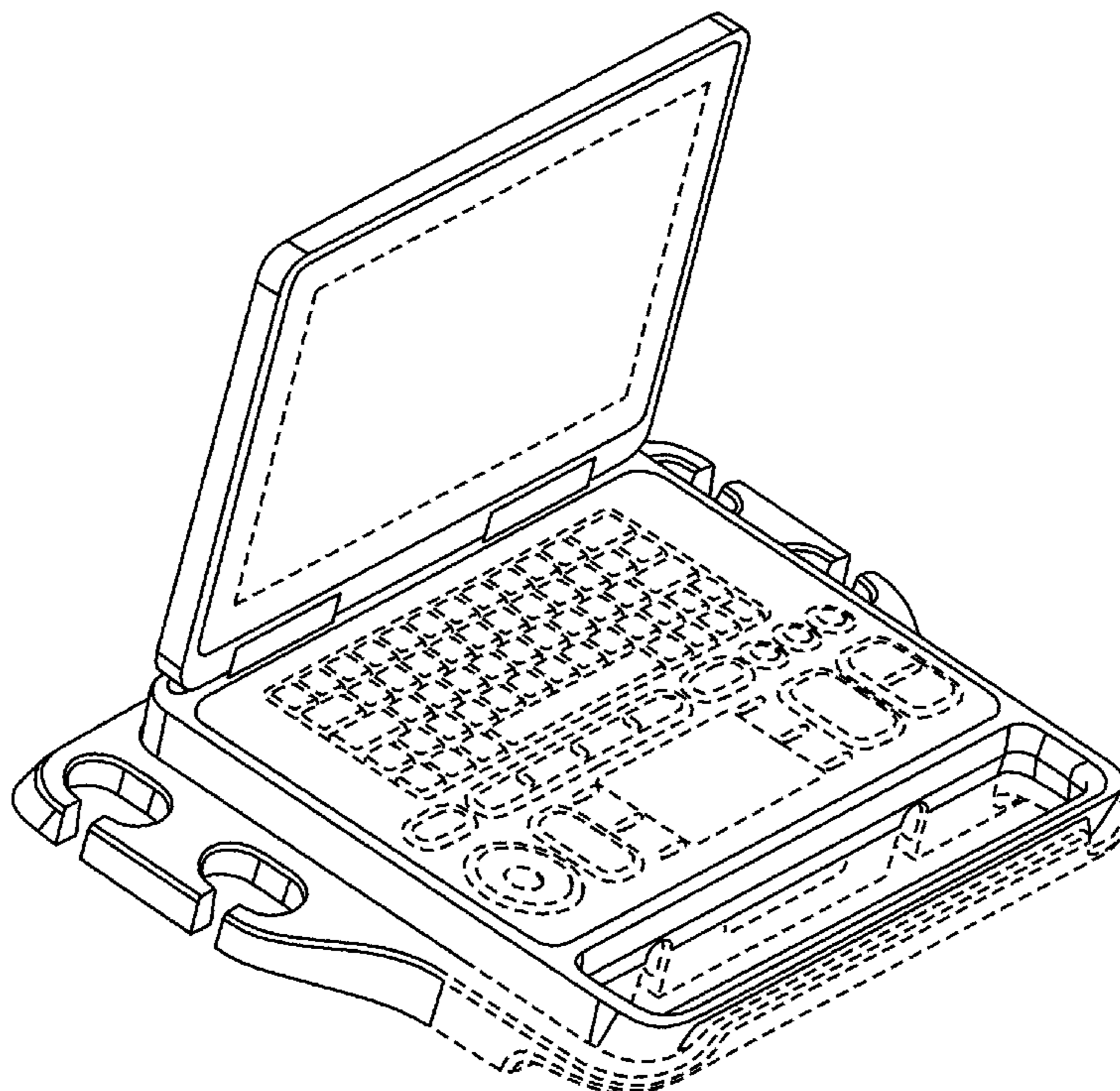
FIG. 1 is a top left front perspective view of an ultrasound device showing our new design;
FIG. 2 is a top view thereof in an open position;
FIG. 3 is a bottom view thereof in an open position;
FIG. 4 is a right side view thereof;
FIG. 5 is a left side view thereof;
FIG. 6 is a top plan view thereof in an open position; and,
FIG. 7 is a bottom plan view thereof in a closed position.
The broken lines illustrate portions of the ultrasound device that form no part of the claimed design.

(56) **References Cited**

U.S. PATENT DOCUMENTS

7,591,786 B2 * 9/2009 Holmberg A61B 8/4405
600/437
D712,042 S * 8/2014 Chung D24/185

1 Claim, 7 Drawing Sheets



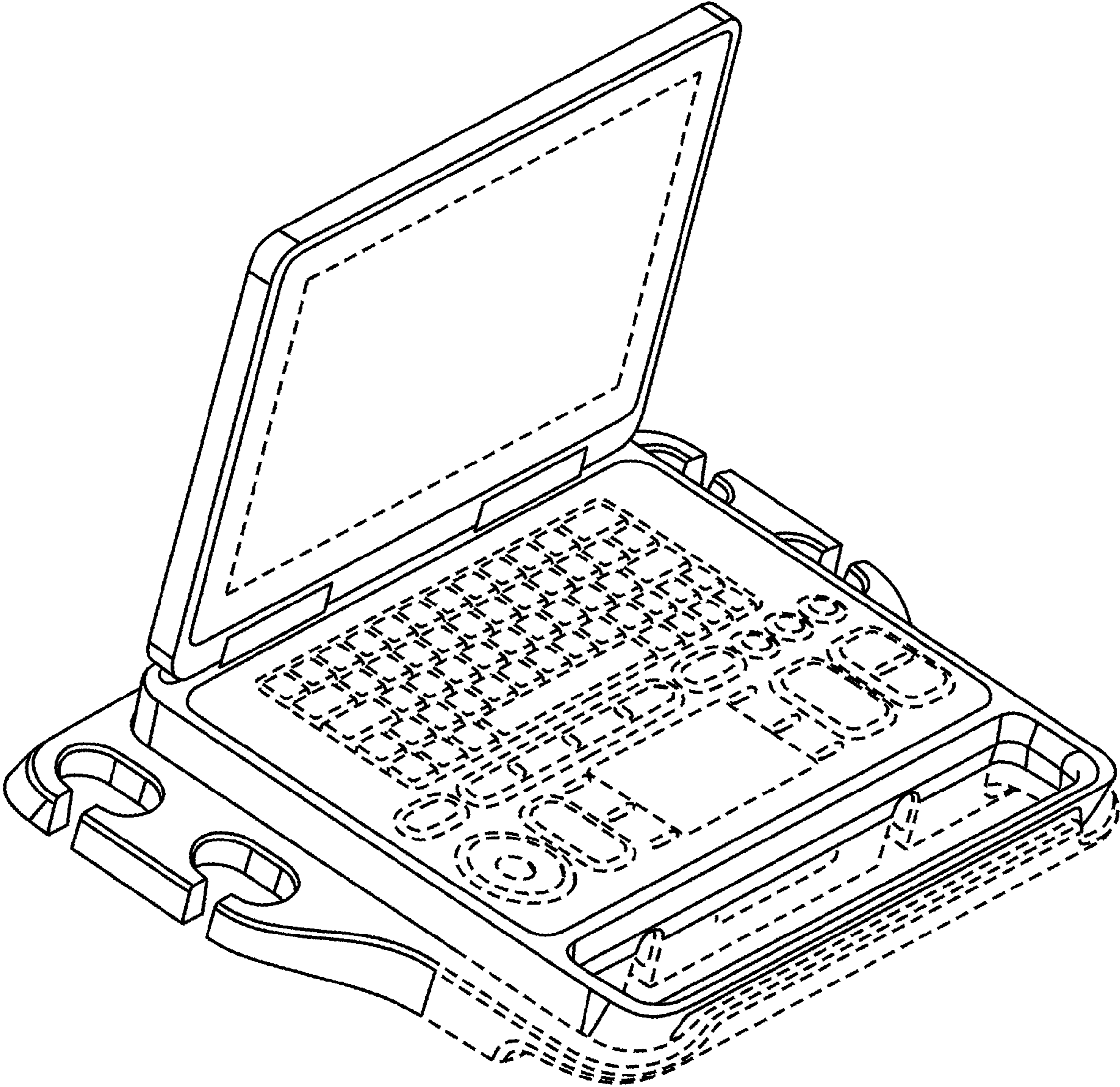


FIG. 1

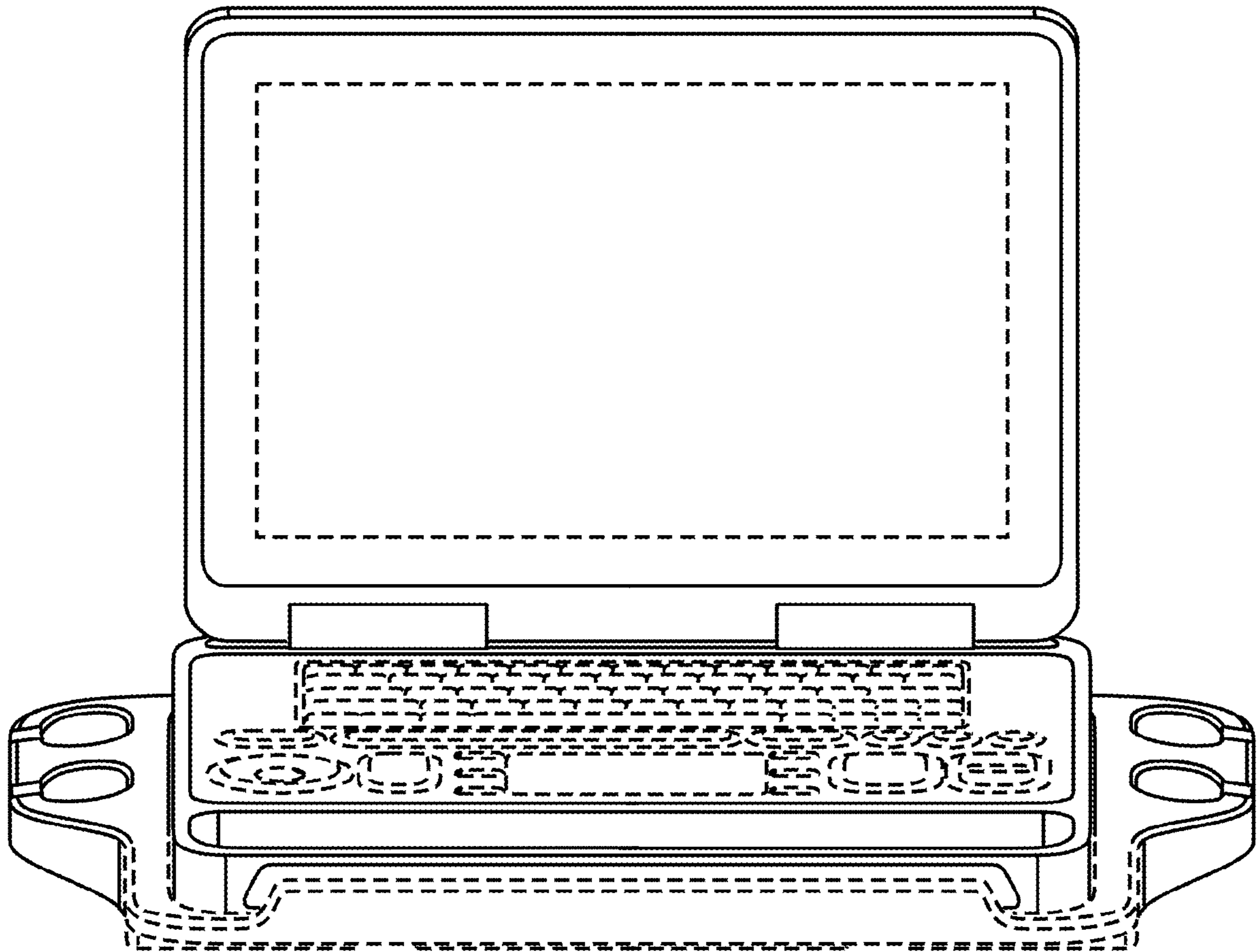


FIG. 2

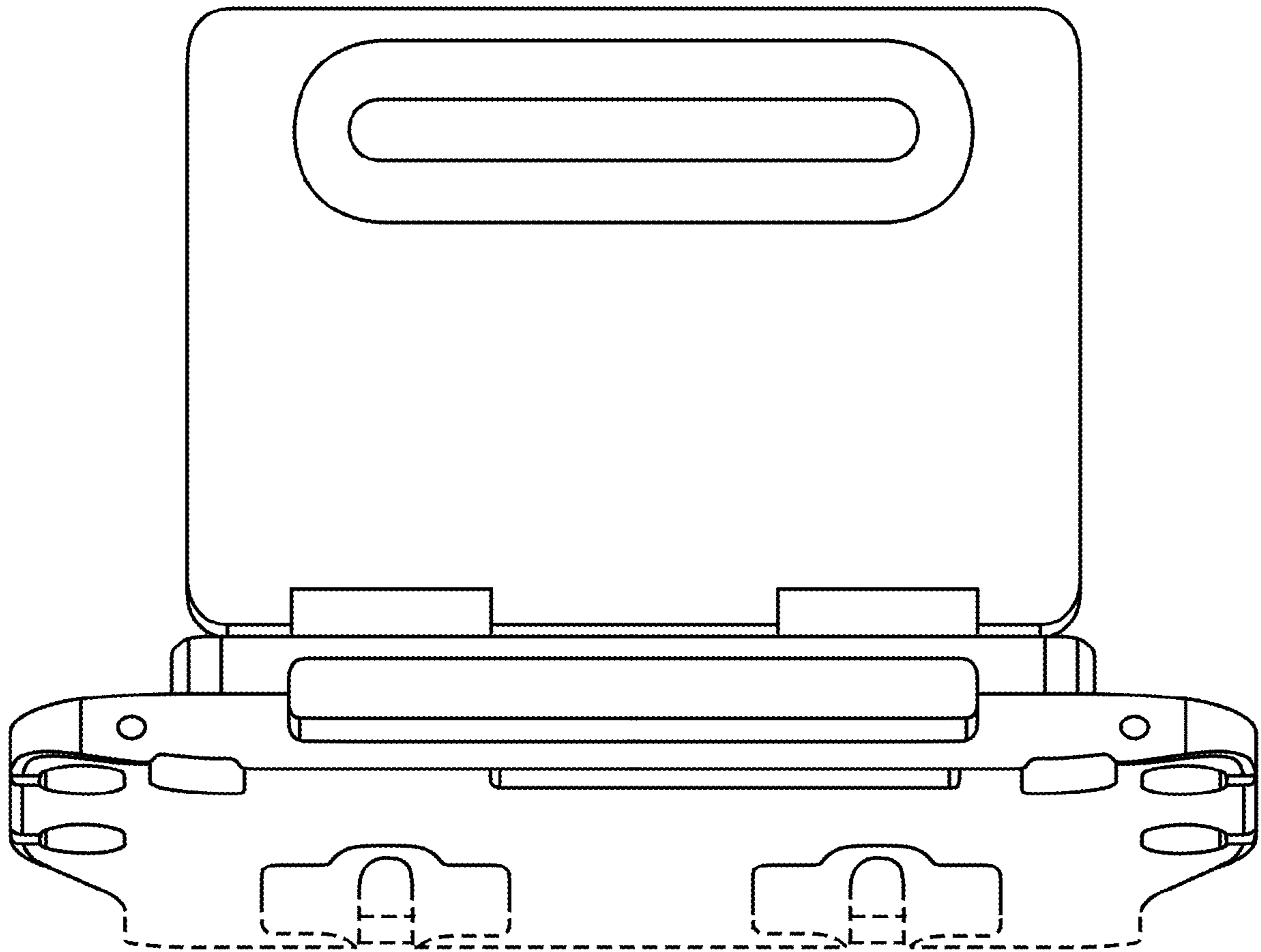


FIG. 3

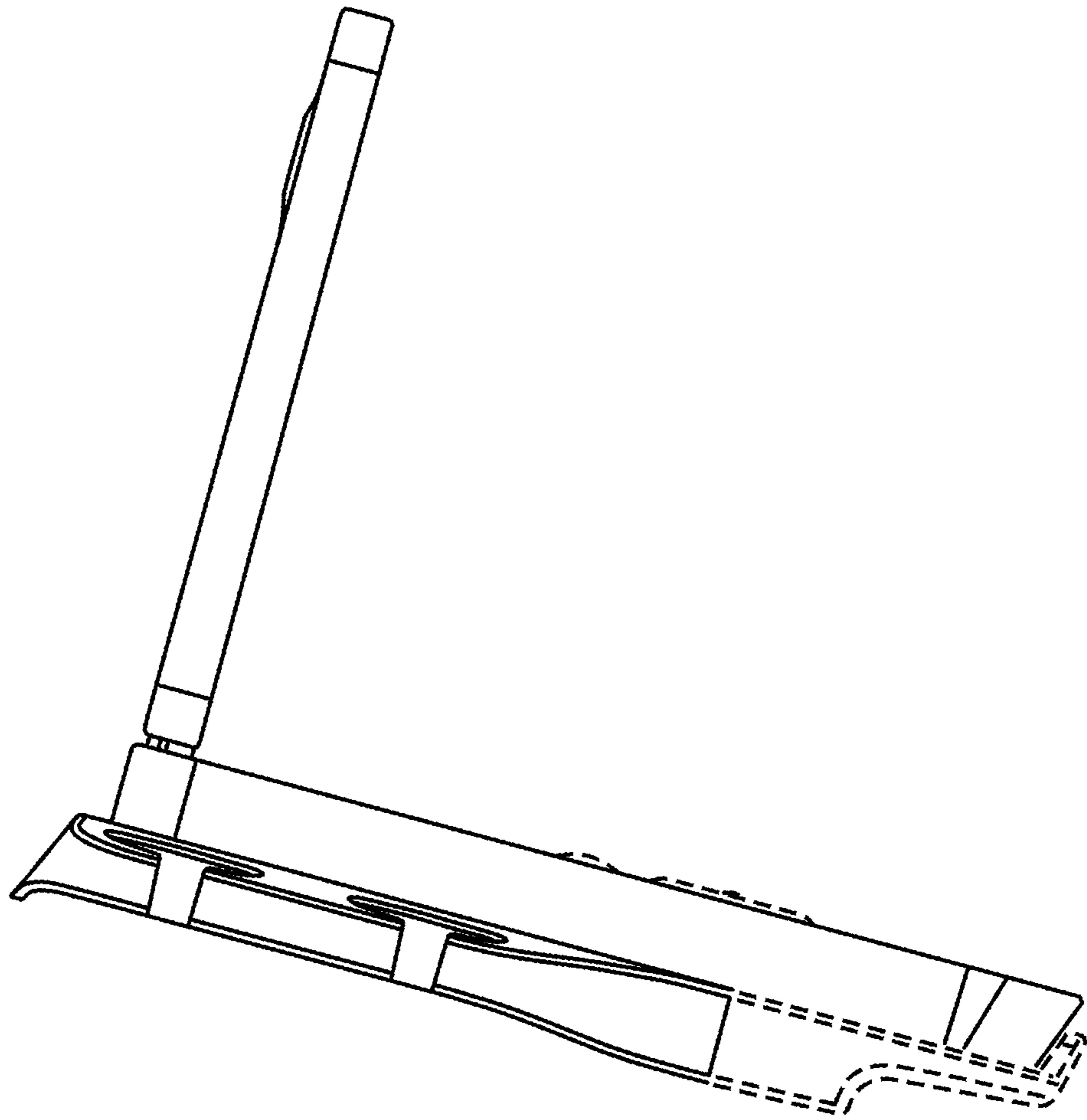


FIG. 4

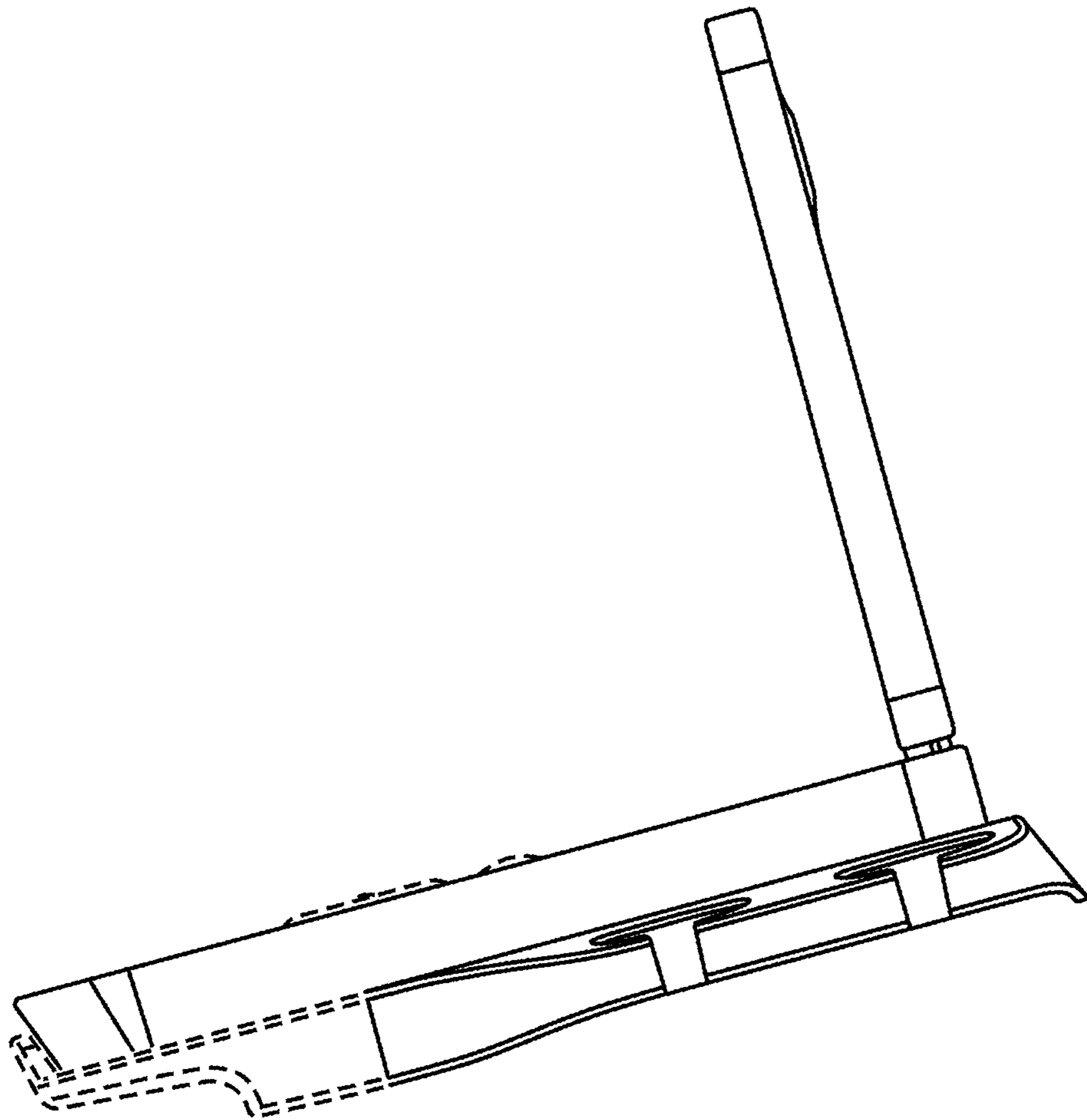


FIG. 5

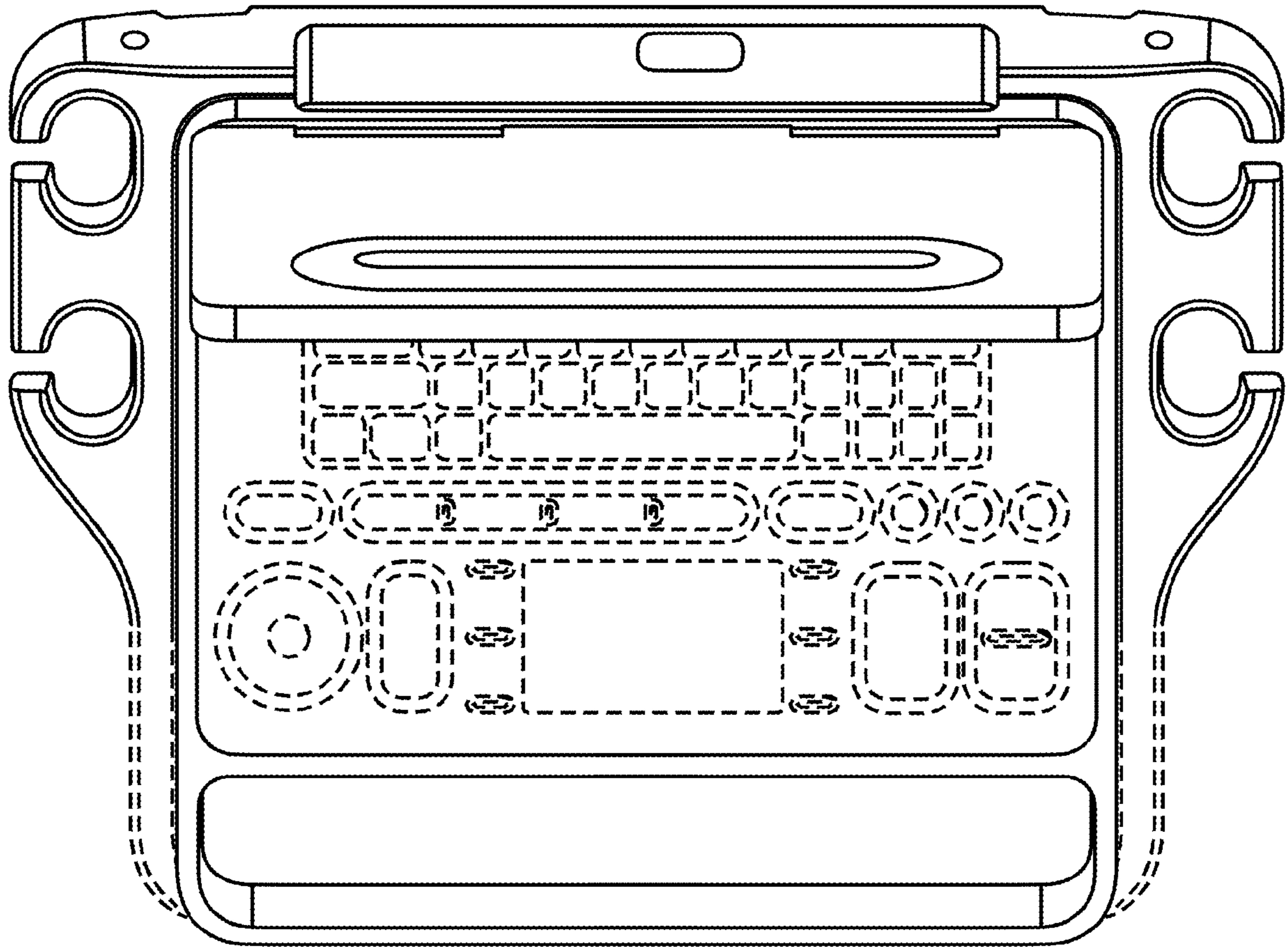


FIG. 6

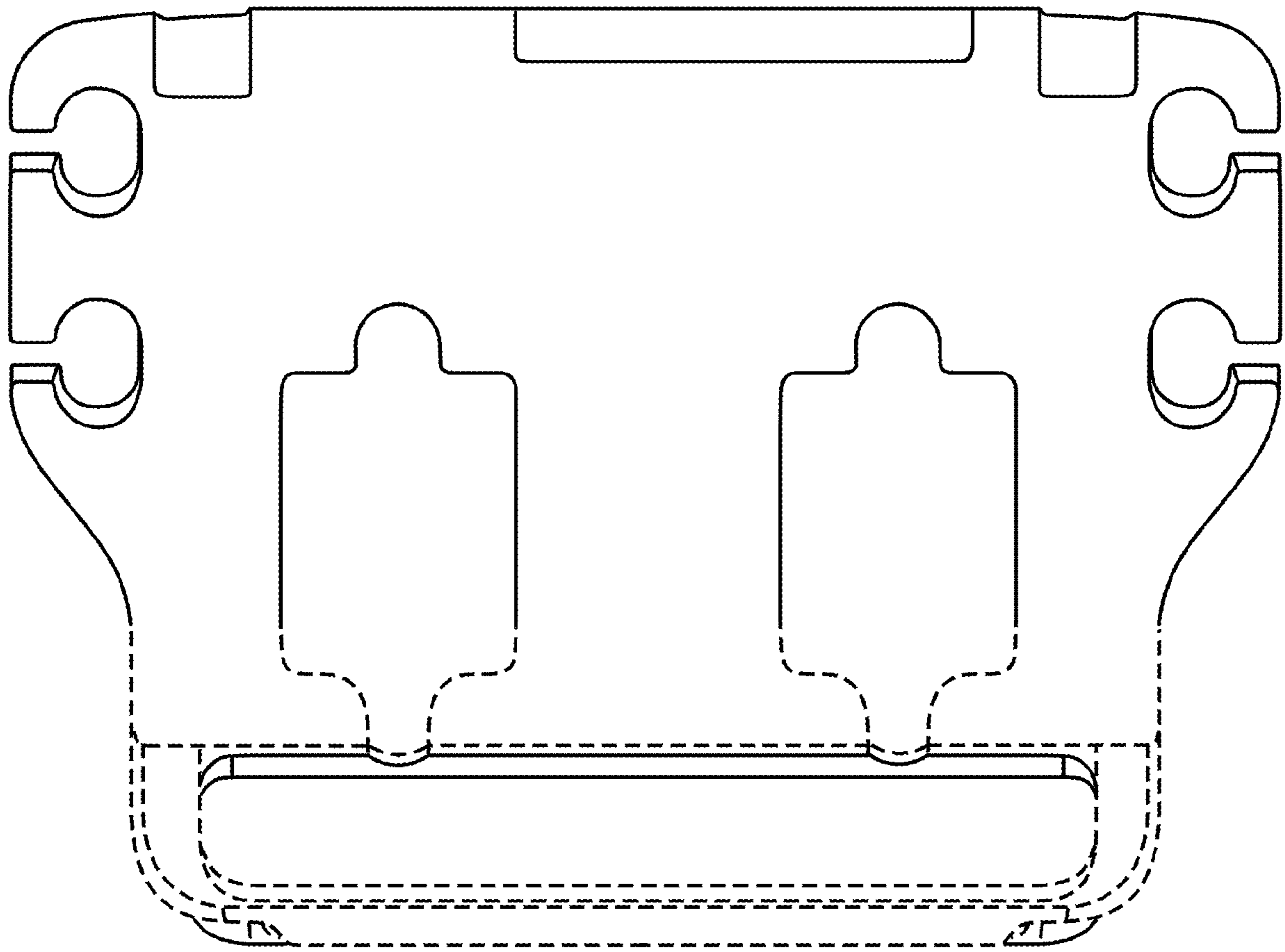


FIG. 7