



US00D939092S

(12) **United States Design Patent**
Roy et al.

(10) **Patent No.:** **US D939,092 S**

(45) **Date of Patent:** **** Dec. 21, 2021**

(54) **HANDHELD ULTRASOUND DEVICE**

(71) Applicant: **yoR Labs, Inc**, Portland, OR (US)

(72) Inventors: **Michael Benjamin Roy**, Portland, OR (US); **James Siler Owen**, Portland, OR (US); **James Neil Jenkins**, Portland, OR (US)

(73) Assignee: **YOR LABS, INC.**, Portland, OR (US)

(**) Term: **15 Years**

(21) Appl. No.: **29/729,816**

(22) Filed: **Mar. 30, 2020**

(51) **LOC (13) Cl.** **24-01**

(52) **U.S. Cl.**
USPC **D24/186; D24/187**

(58) **Field of Classification Search**
USPC D24/107, 158–161, 185, 186, 187, 137,
D24/138; D14/426; D10/78
CPC ... A61B 8/0808; A61B 8/4455; A61B 8/4472;
A61B 8/4483; A61B 8/483; A61B
5/0075; A61B 5/14553
See application file for complete search history.

(56) **References Cited**

U.S. PATENT DOCUMENTS

D770,630 S *	11/2016	Niemenen	D24/187
10,117,642 B2 *	11/2018	Siedenburg	A61B 8/546
D878,603 S *	3/2020	Zhang	D24/187
D903,880 S *	12/2020	Roy	D24/186
D917,705 S *	4/2021	Kurachi	D24/187
D919,102 S *	5/2021	Ogura	D24/187

2018/0055483 A1 *	3/2018	Hunter	A61B 8/54
2018/0317883 A1 *	11/2018	Huhtamaki	G10K 11/357
2021/0212664 A1 *	7/2021	Noguchi	A61B 8/4488

* cited by examiner

Primary Examiner — Anhdao Doan

(74) *Attorney, Agent, or Firm* — Knobbe, Martens, Olson & Bear LLP

(57) **CLAIM**

The ornamental design for a handheld ultrasound device, as shown and described.

DESCRIPTION

FIG. 1 is a perspective view of a first embodiment of a handheld ultrasound device configured in accordance with the present invention;

FIG. 2 is a top view of the first embodiment;

FIG. 3 is a bottom of the first embodiment;

FIG. 4 is a right side view of the first embodiment;

FIG. 5 is a left side view of the first embodiment;

FIG. 6 is a back view of the first embodiment; and

FIG. 7 is a front view of the first embodiment.

FIG. 8 is a perspective view of a second embodiment of a handheld ultrasound device configured in accordance with the present invention;

FIG. 9 is a top view of the second embodiment;

FIG. 10 is a bottom view of the second embodiment;

FIG. 11 is a right side view of the second embodiment;

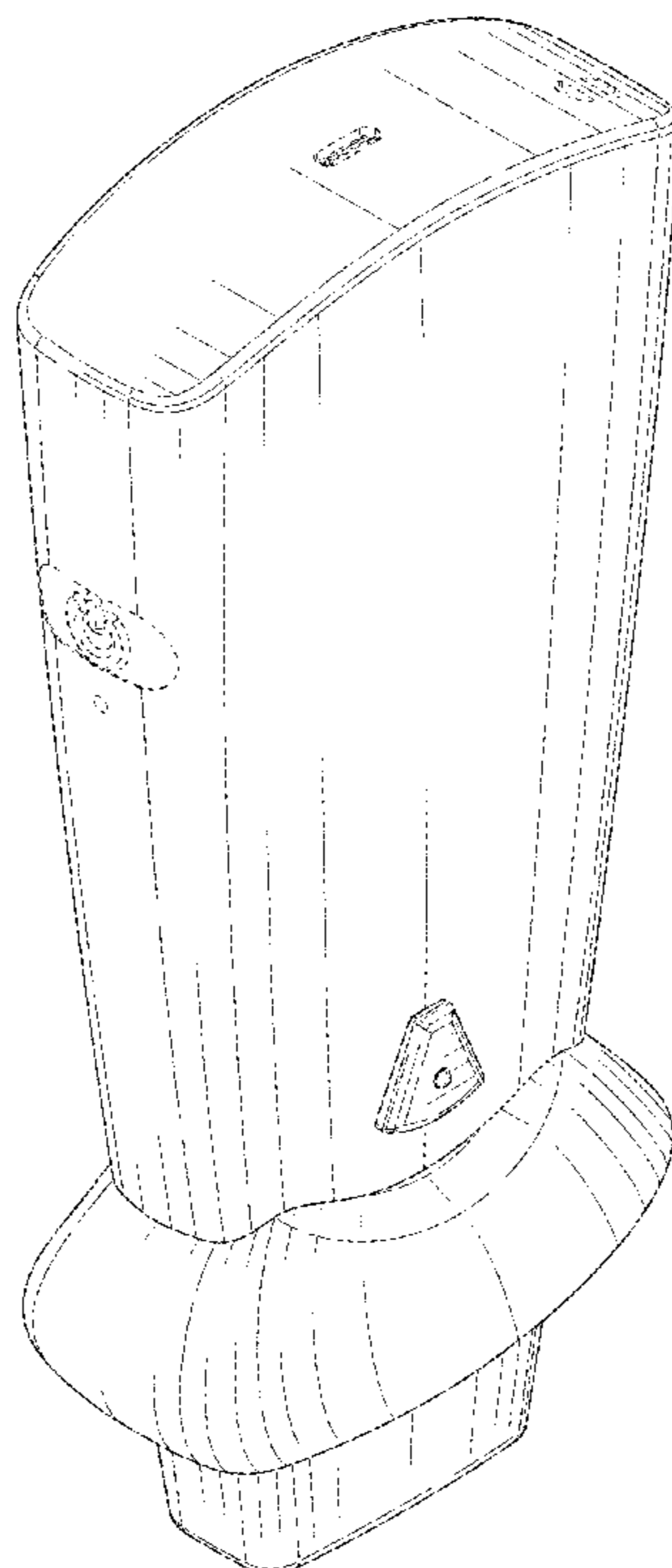
FIG. 12 is a left side view of the second embodiment;

FIG. 13 is a back view of the second embodiment; and,

FIG. 14 is a front view of the second embodiment.

The broken lines illustrate portions of the handheld ultrasound device that form no part of the claimed design.

1 Claim, 10 Drawing Sheets



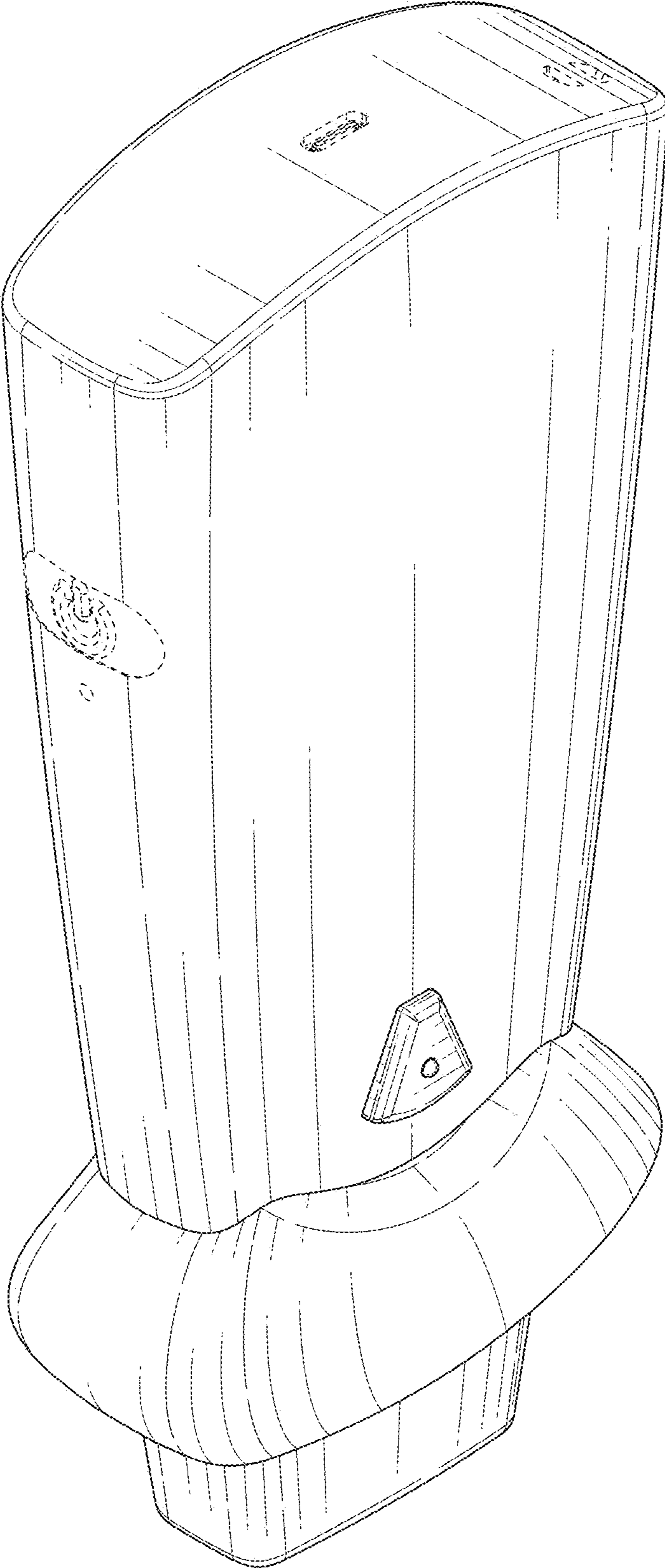


FIG. 1

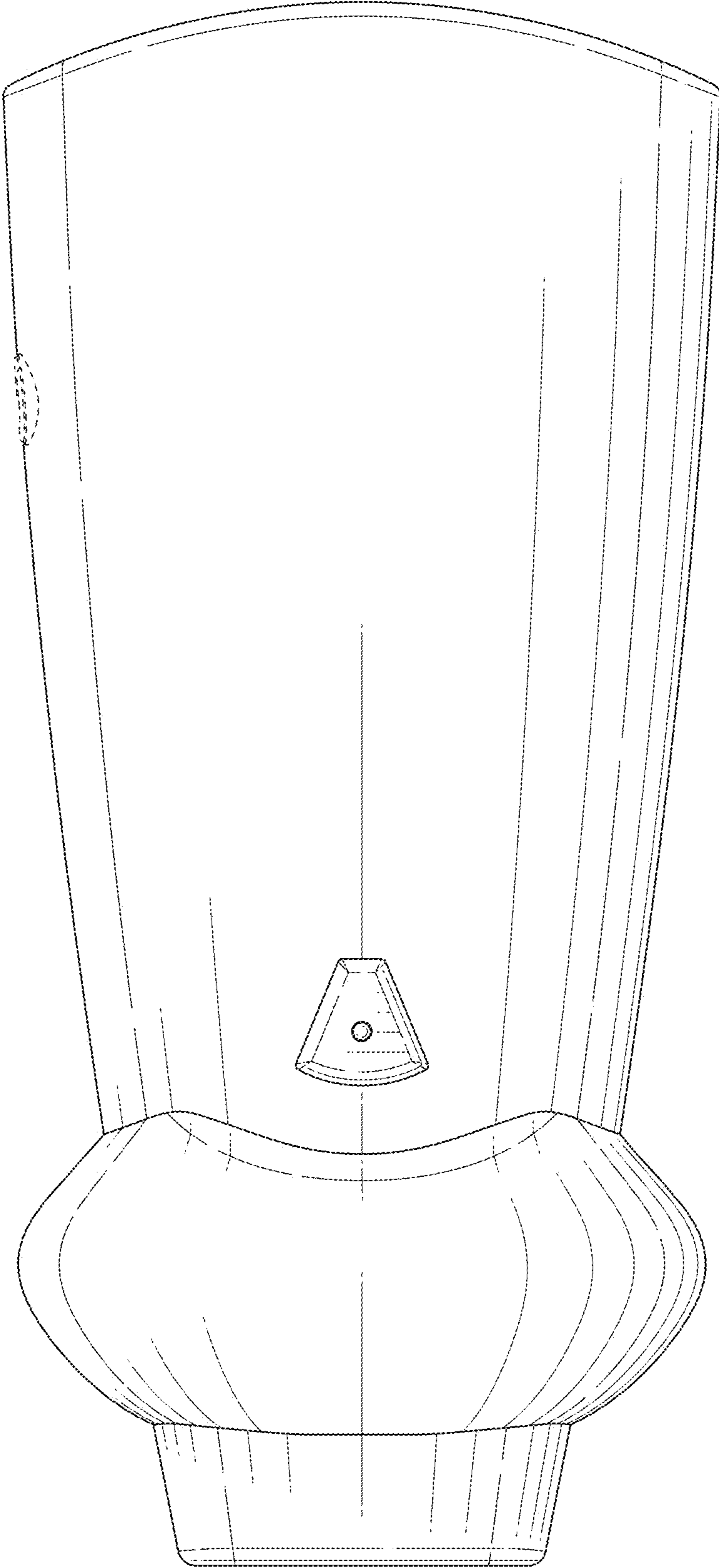


FIG. 2

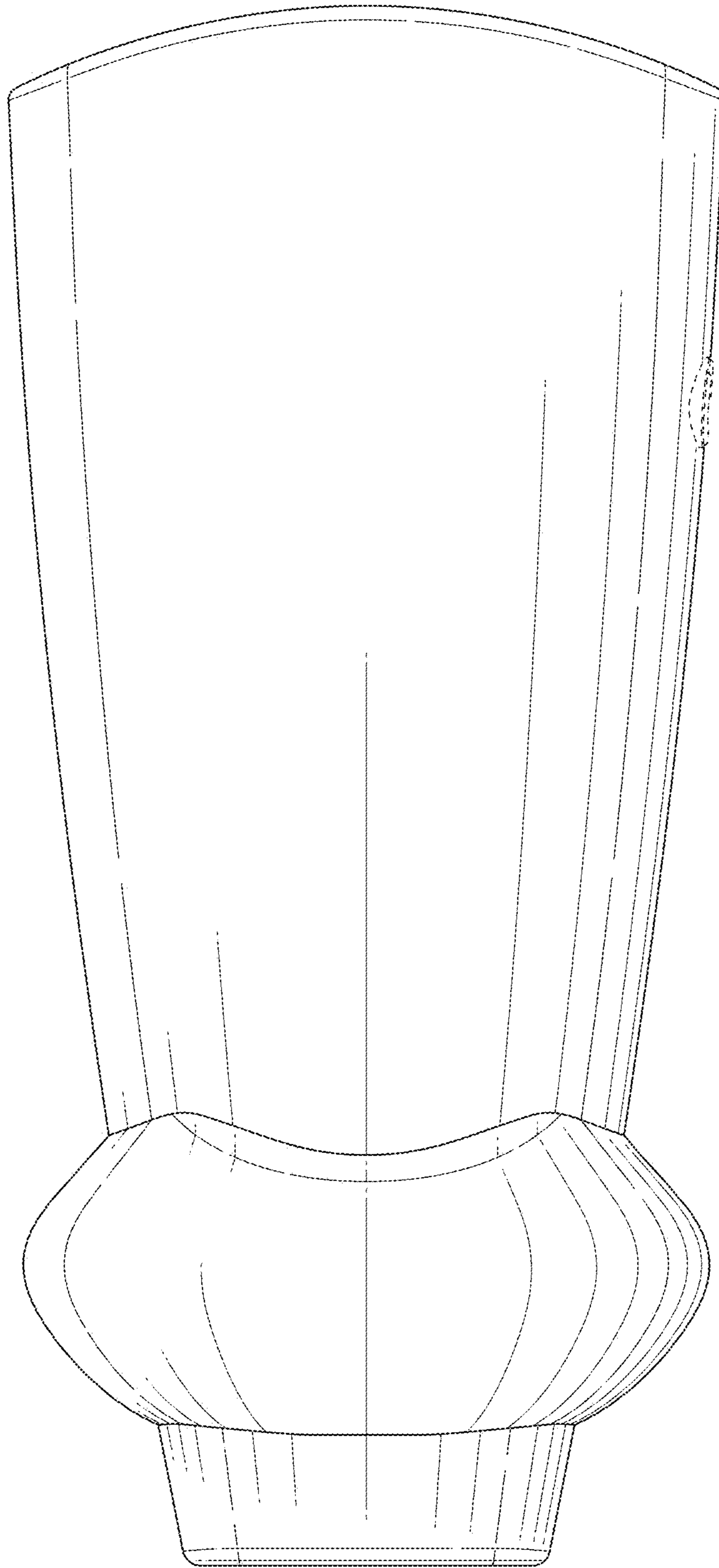


FIG. 3

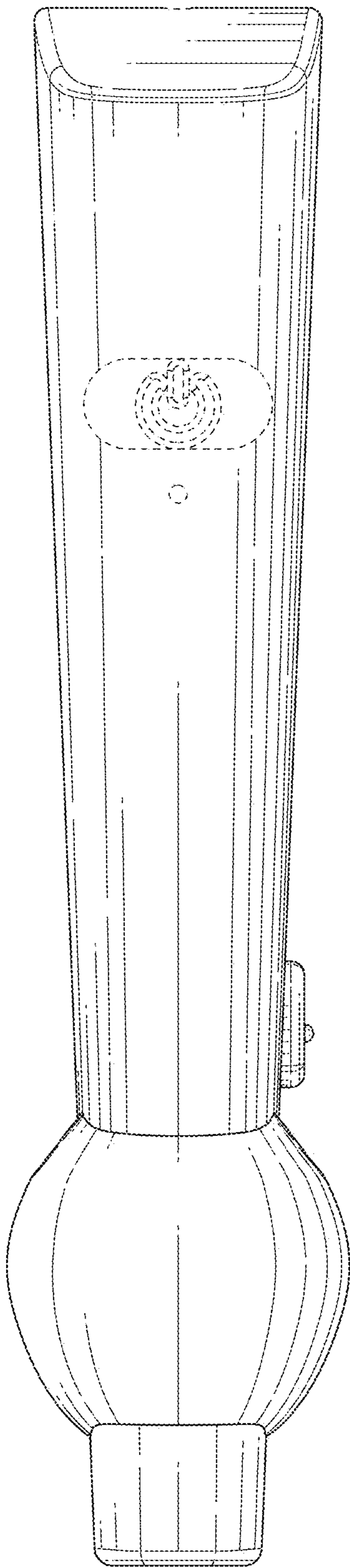


FIG. 4

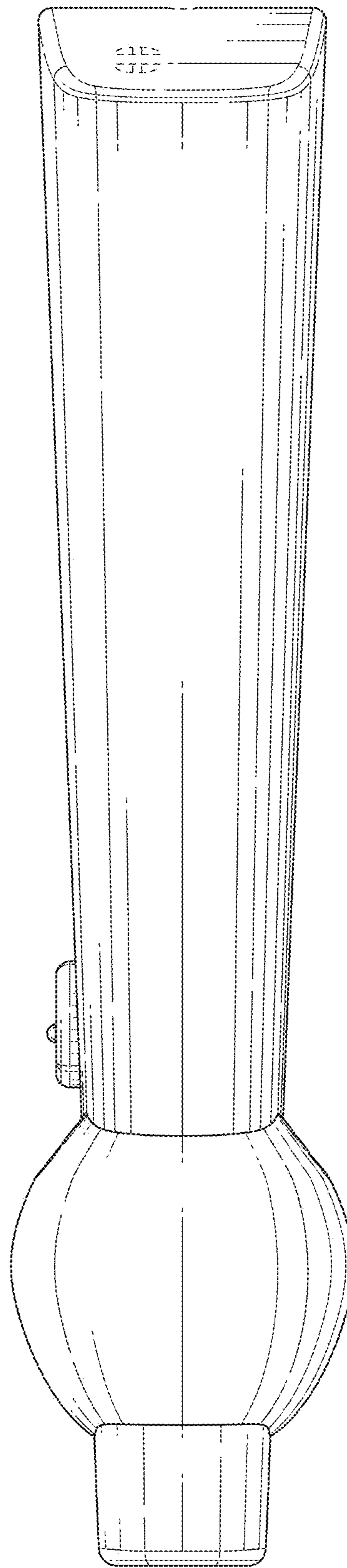


FIG. 5

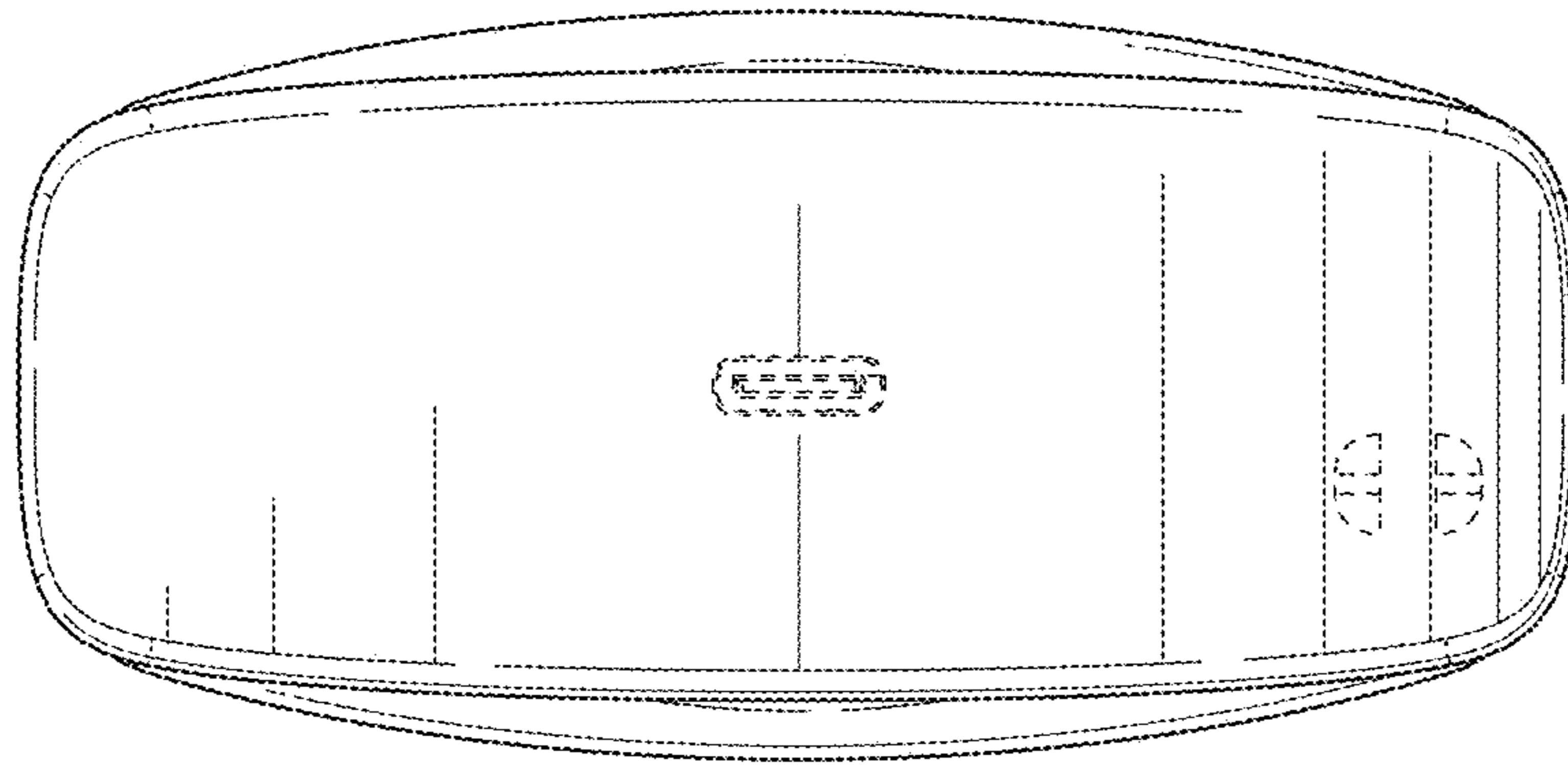


FIG. 6

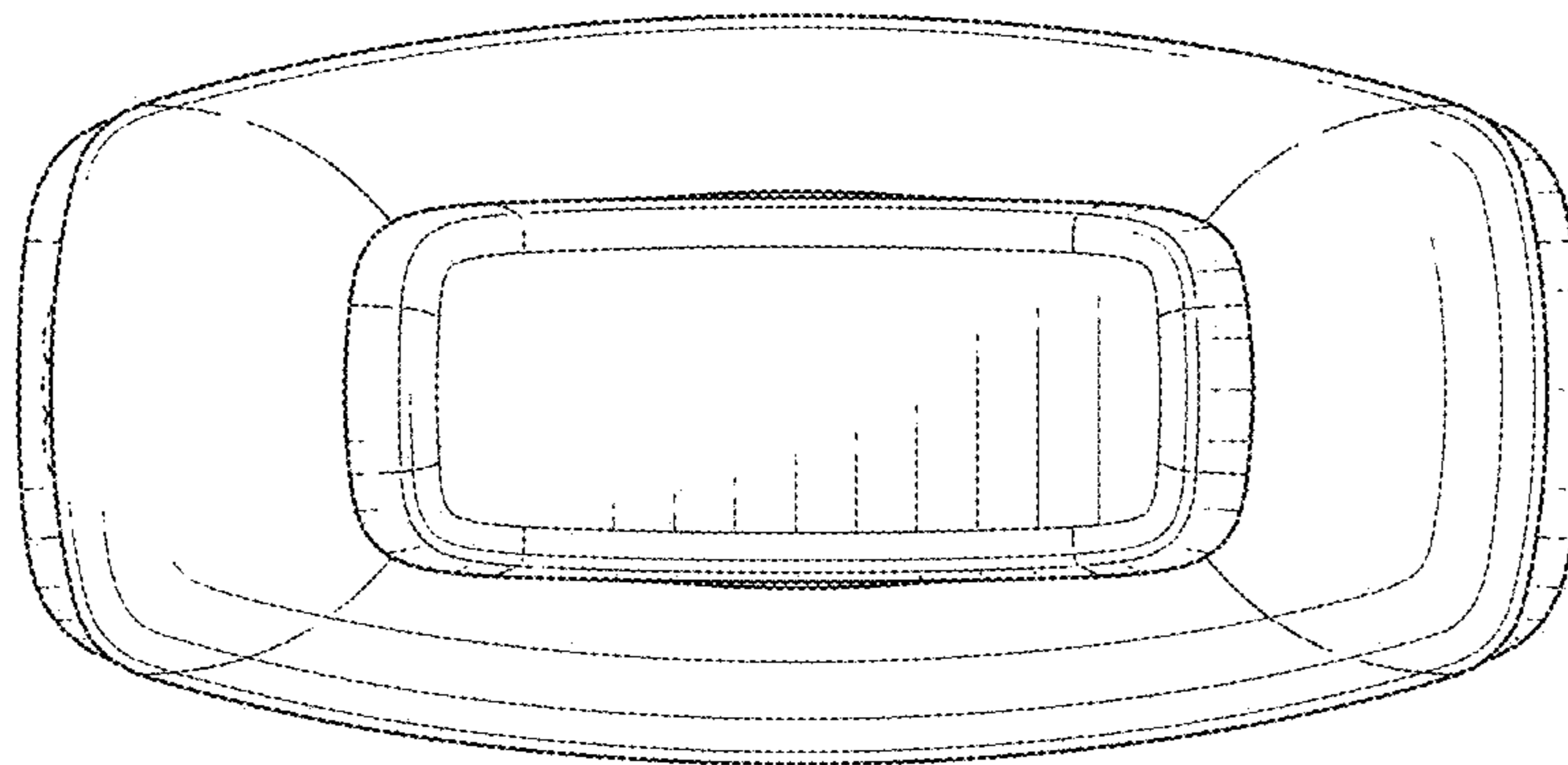


FIG. 7

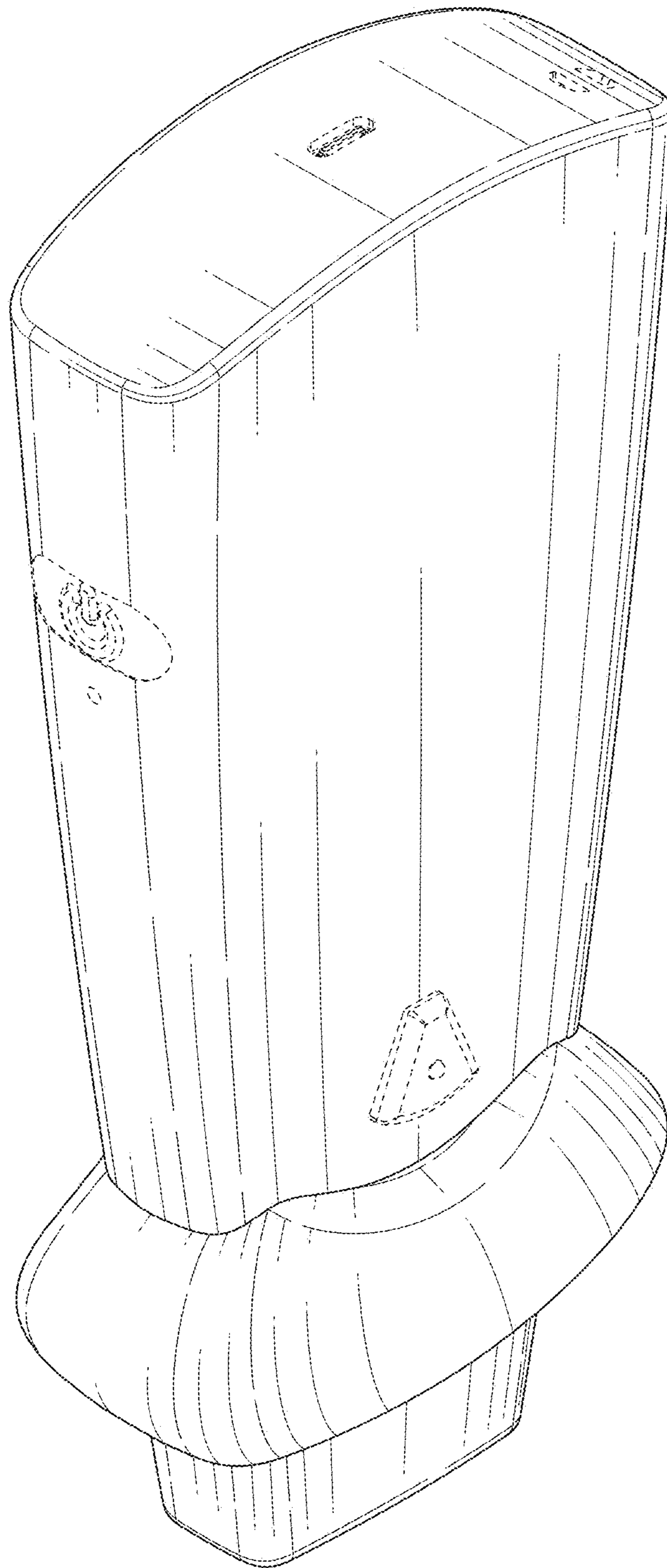


FIG. 8

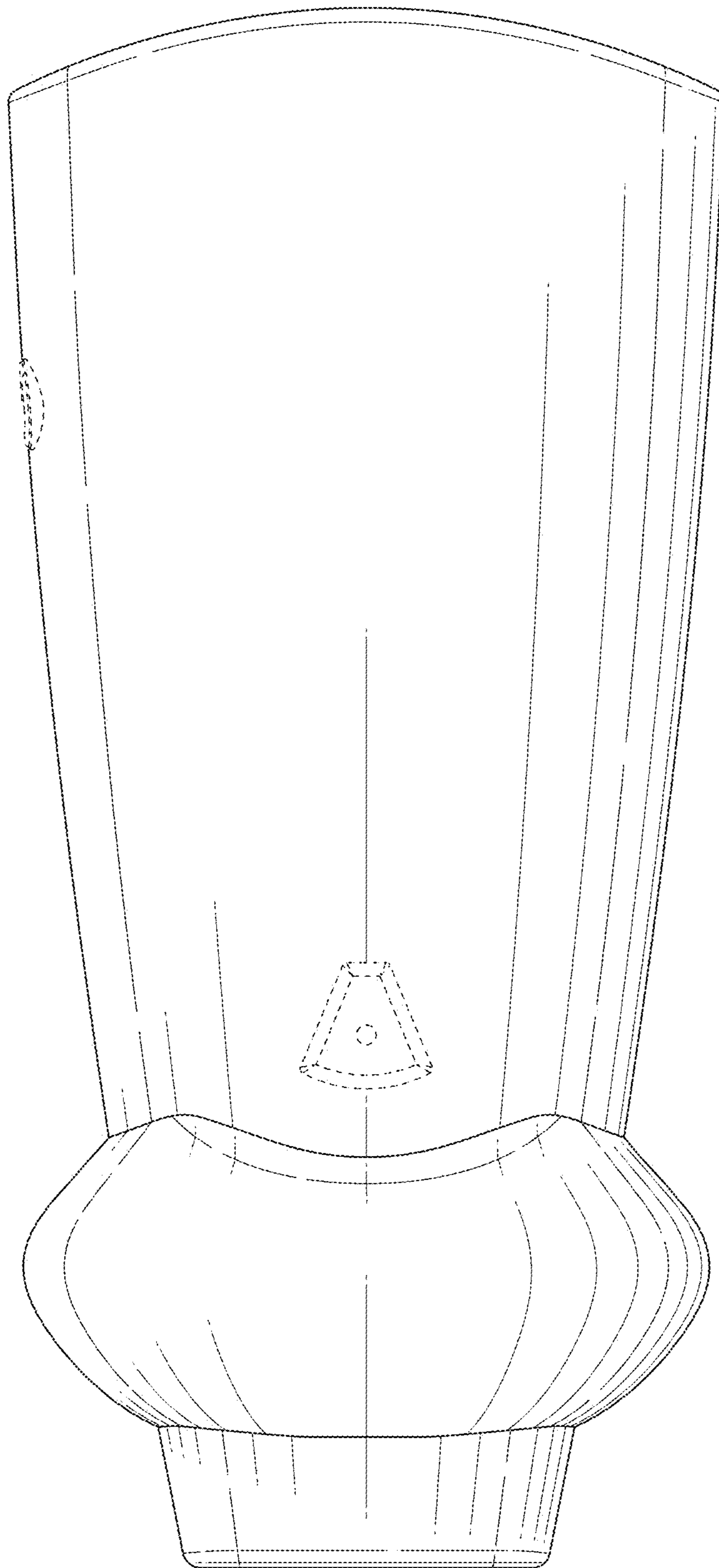


FIG. 9

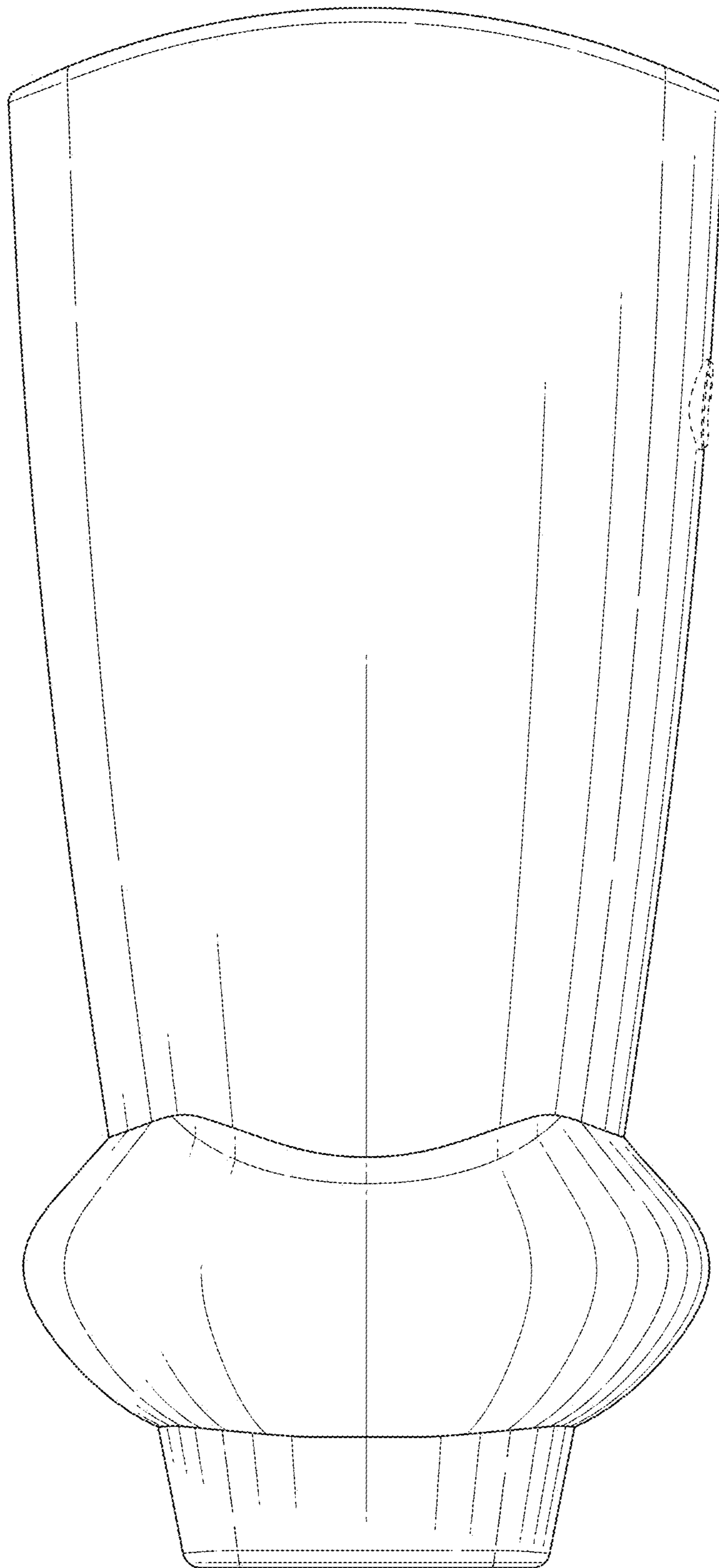


FIG. 10

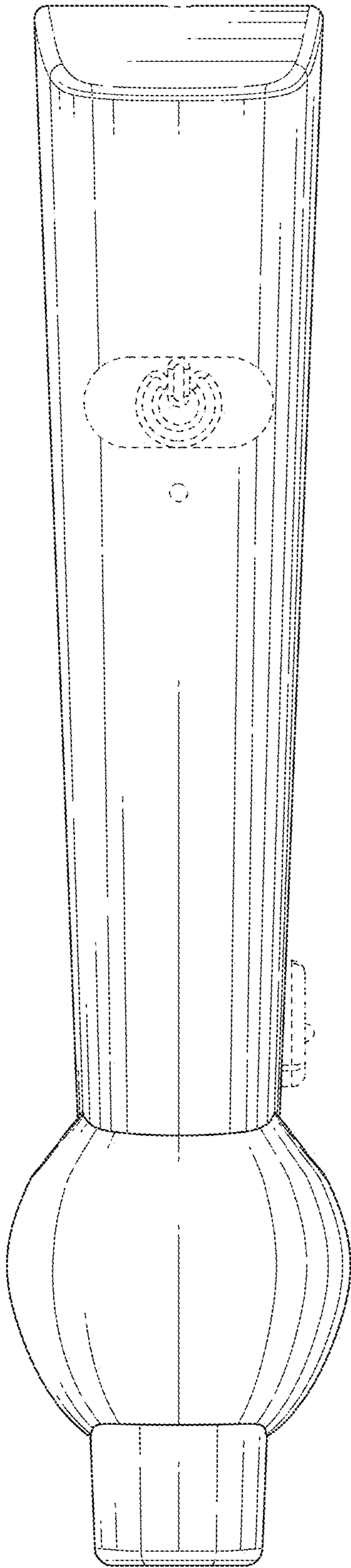


FIG. 11

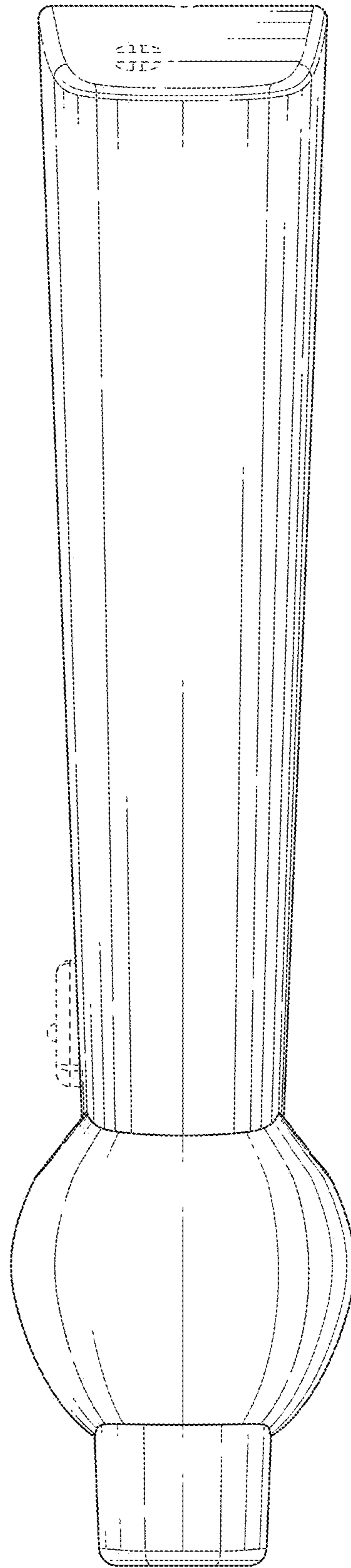


FIG. 12

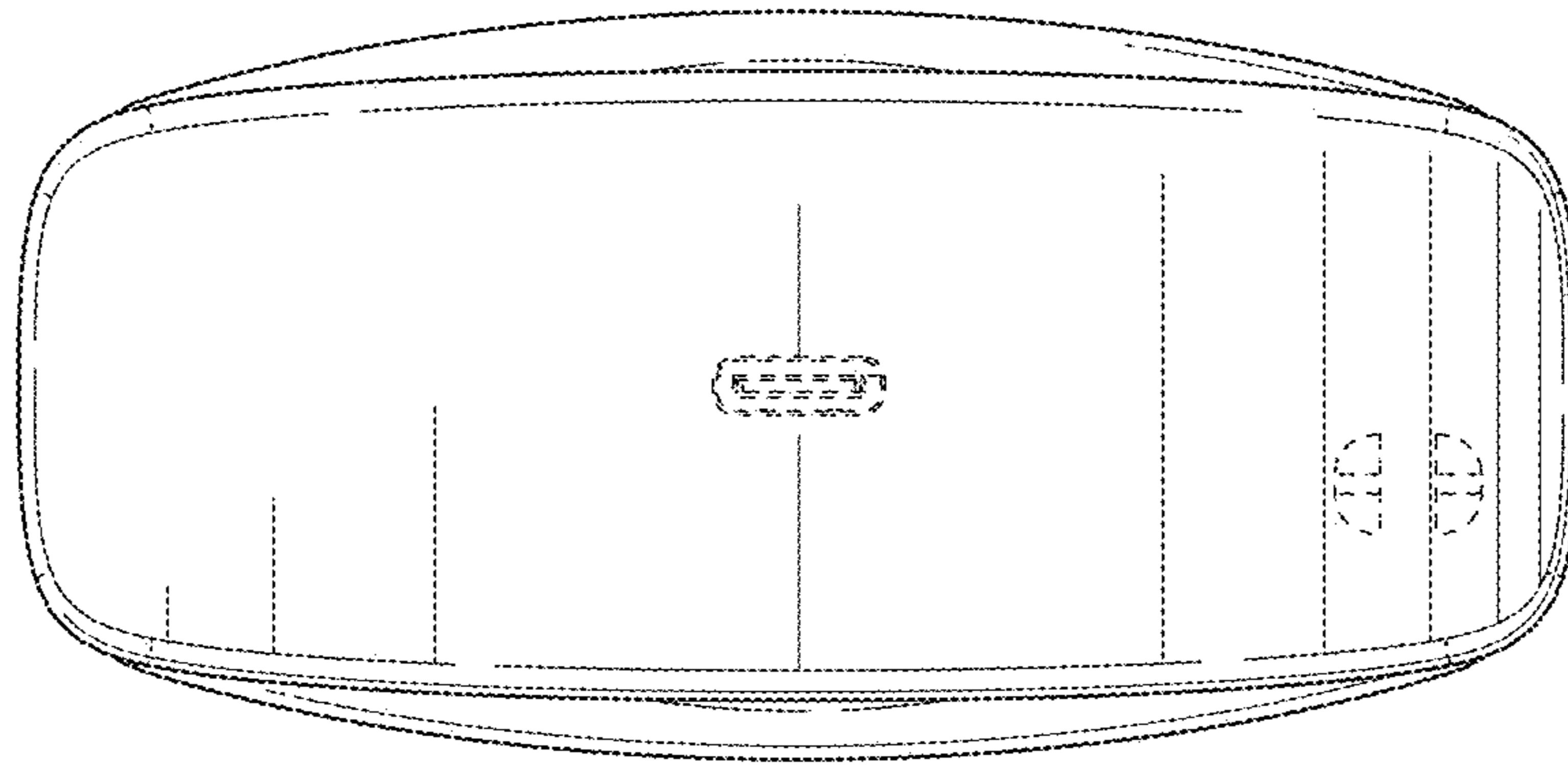


FIG. 13

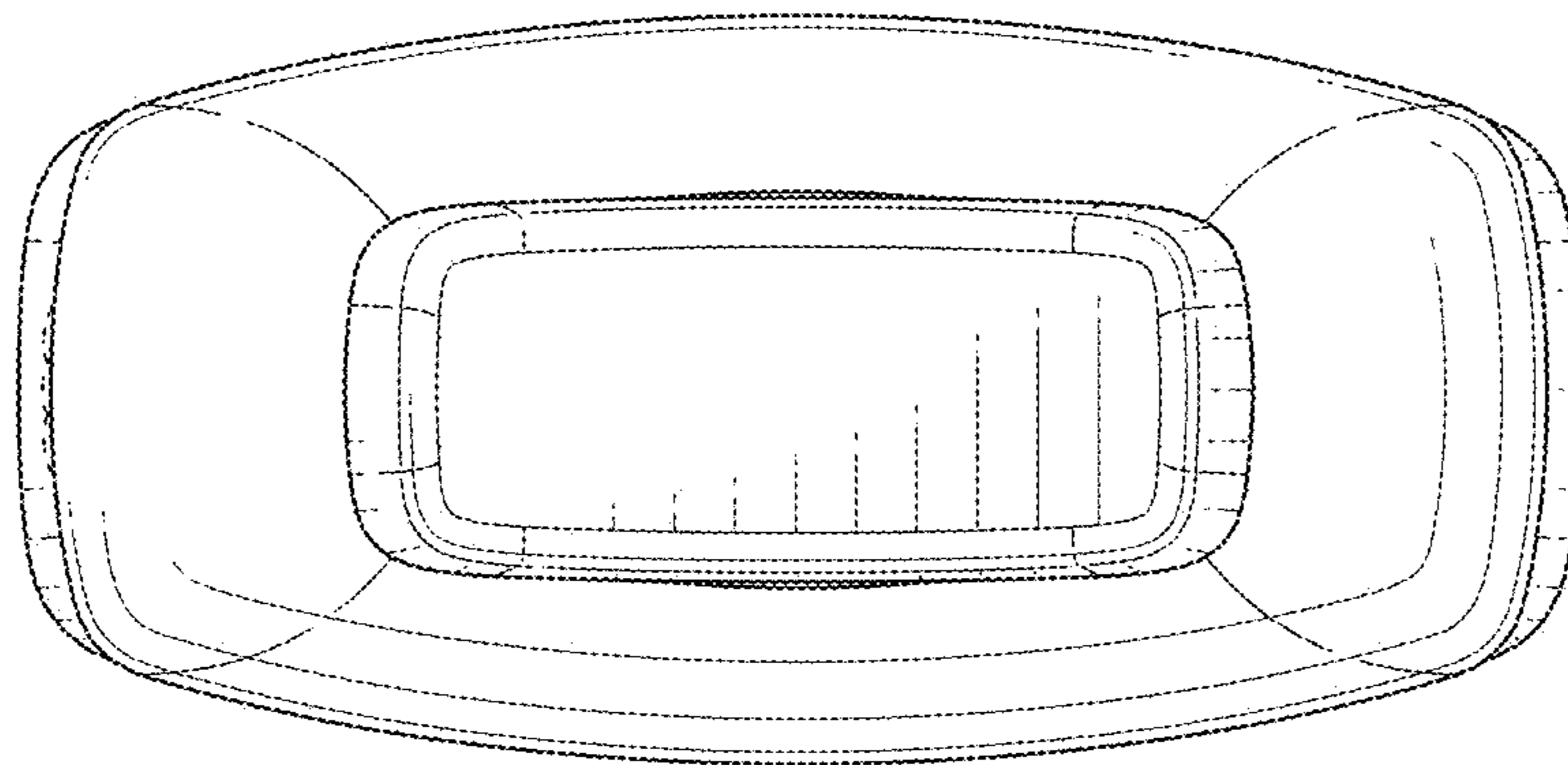


FIG. 14