



US00D939091S

(12) **United States Design Patent** (10) **Patent No.:** **US D939,091 S**
Pai et al. (45) **Date of Patent:** **** Dec. 21, 2021**

(54) **TEETH CLEANING SYSTEM**
(71) Applicant: **ZeroBrush, Inc.**, Palo Alto, CA (US)
(72) Inventors: **Nidhi Pai**, Palo Alto, CA (US); **Ria Pai**, Palo Alto, CA (US); **Jason Hu**, San Jose, CA (US); **Akash Pai**, Palo Alto, CA (US)
(73) Assignee: **ZEROBRUSH, INC.**, Palo Alto, CA (US)

D207,094 S 3/1967 Rakocy
D210,928 S 5/1968 Guth
D219,598 S 12/1970 Dieter
(Continued)

FOREIGN PATENT DOCUMENTS

WO 2018087481 A1 5/2018
WO 2018160986 A1 9/2018
WO 2019224450 A1 11/2019

OTHER PUBLICATIONS

V-White Electric Toothbrush Adults—Ultrasonic U-Shaped Toothbrushes for Teeth Whitening—360° Mouth Cleansing, Hands Free Gums Protection—LED Light & Wireless Charging—Waterproof IPX7 Certified. Apr. 10, 2019. Retrieved Aug. 17, 2021. Retrieved from internet: <https://www.amazon.com/Ultrasonic-Toothbrush-Rechargeable-Protecting-Waterproof/dp/B07QF5RHZC>.*

(**) Term: **15 Years**
(21) Appl. No.: **29/762,561**
(22) Filed: **Dec. 17, 2020**

Related U.S. Application Data

(63) Continuation of application No. 29/738,225, filed on Jun. 16, 2020, now Pat. No. Des. 908,223, which is a continuation of application No. 29/719,751, filed on Jan. 7, 2020, now Pat. No. Des. 890,350.

Primary Examiner — Wan Laymon
(74) *Attorney, Agent, or Firm* — Morgan, Lewis & Bockius LLP

(51) **LOC (13) Cl.** **24-02**
(52) **U.S. Cl.**
USPC **D24/181**
(58) **Field of Classification Search**
USPC D24/176–178, 180–181; D29/108;
D4/102, 109, 119
CPC A61C 7/08; A61C 17/22; A61C 17/222;
A61C 17/0211; A61C 17/228; A61C
17/0202; A61C 17/036; A61C 17/3481;
A46B 9/005; A46B 9/045; A46B
2200/1066

(57) **CLAIM**

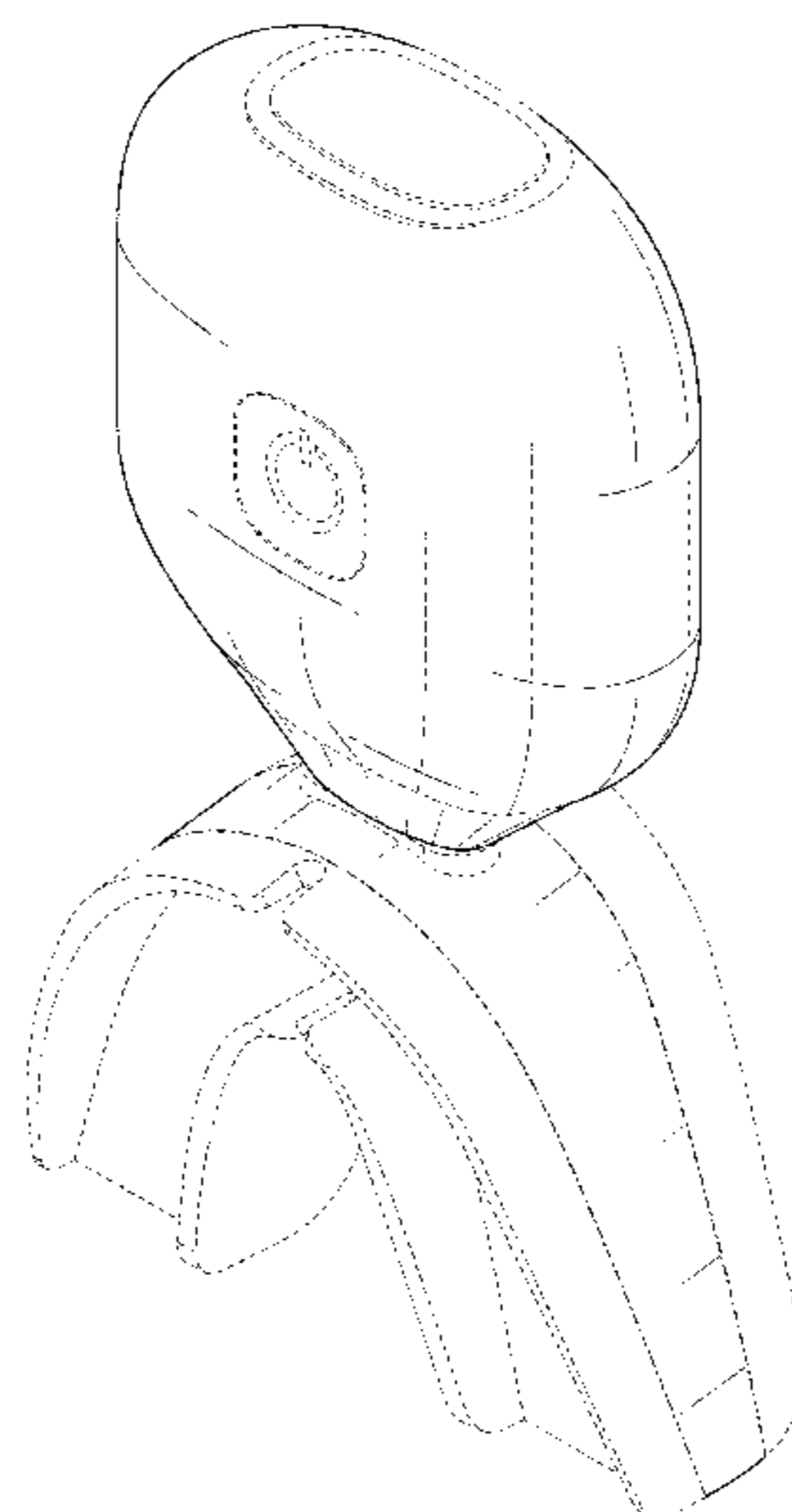
The ornamental design for a teeth cleaning system, as shown and described.

DESCRIPTION

FIG. 1 is a front perspective view of a teeth cleaning system showing our new design;
FIG. 2 is a front elevational view thereof;
FIG. 3 is a rear elevational view thereof;
FIG. 4 is a left-side elevational view thereof;
FIG. 5 is a right-side elevational view thereof;
FIG. 6 is a top plan view thereof; and,
FIG. 7 is a bottom plan view thereof.
The dash-dot-dash broken lines illustrate boundaries that form no part of the claimed design. The broken lines illustrate structure or features that form no part of the claimed design.

(56) **References Cited**
U.S. PATENT DOCUMENTS
D72,543 S 5/1927 Balmer
2,415,447 A 2/1947 Stanton
D155,372 S 12/1947 Whitman
D175,924 S 11/1955 Aul

1 Claim, 6 Drawing Sheets



(56)

References Cited

U.S. PATENT DOCUMENTS

D219,599 S	12/1970	Dieter		D830,571 S	10/2018	Ghahary et al.	
D221,824 S	9/1971	Cook		10,085,822 B2	10/2018	Way et al.	
D221,826 S	9/1971	Cook		10,314,679 B2	6/2019	Blank et al.	
4,011,616 A	3/1977	Kennedy		10,413,390 B2	9/2019	Yao	
D312,546 S	12/1990	Goldenberg et al.		D864,399 S	10/2019	Qin et al.	
D355,804 S	2/1995	Crivelli		D867,598 S	11/2019	Qin et al.	
D476,182 S	6/2003	Hensel		D895,808 S *	9/2020	Li	D24/176
D513,322 S	12/2005	Jackson, III et al.		D899,600 S *	10/2020	Li	D24/176
8,617,090 B2	12/2013	Fougere et al.		10,870,014 B2 *	12/2020	Demarest	A61C 19/066
8,631,531 B2	1/2014	Garner et al.		D908,890 S *	1/2021	Demarest	D24/181
8,745,802 B2	6/2014	Steur		2001/0003332 A1	6/2001	Ventnor	
8,940,033 B2 *	1/2015	Dwyer	A61C 19/066 607/88	2009/0276972 A1	11/2009	Dugan	
8,978,189 B1	3/2015	Sexton		2012/0189976 A1	7/2012	McDonough et al.	
D781,427 S	3/2017	Blank et al.		2013/0171037 A1	7/2013	Im	
D787,068 S	5/2017	Sosa		2016/0135581 A1	5/2016	Pai	
D805,308 S	12/2017	Chitayat		2018/0184795 A1	7/2018	Pai et al.	
9,901,744 B2 *	2/2018	Demarest	A61C 5/90	2018/0184857 A1	7/2018	Pai	
D814,041 S	3/2018	Kile et al.		2019/0000601 A1	1/2019	Huang et al.	
				2019/0216583 A1	7/2019	Zhou et al.	
				2019/0282348 A1	9/2019	Musialek	
				2020/0046111 A1	2/2020	Pai et al.	
				2021/0100645 A1 *	4/2021	Speicher	A61C 19/066

* cited by examiner

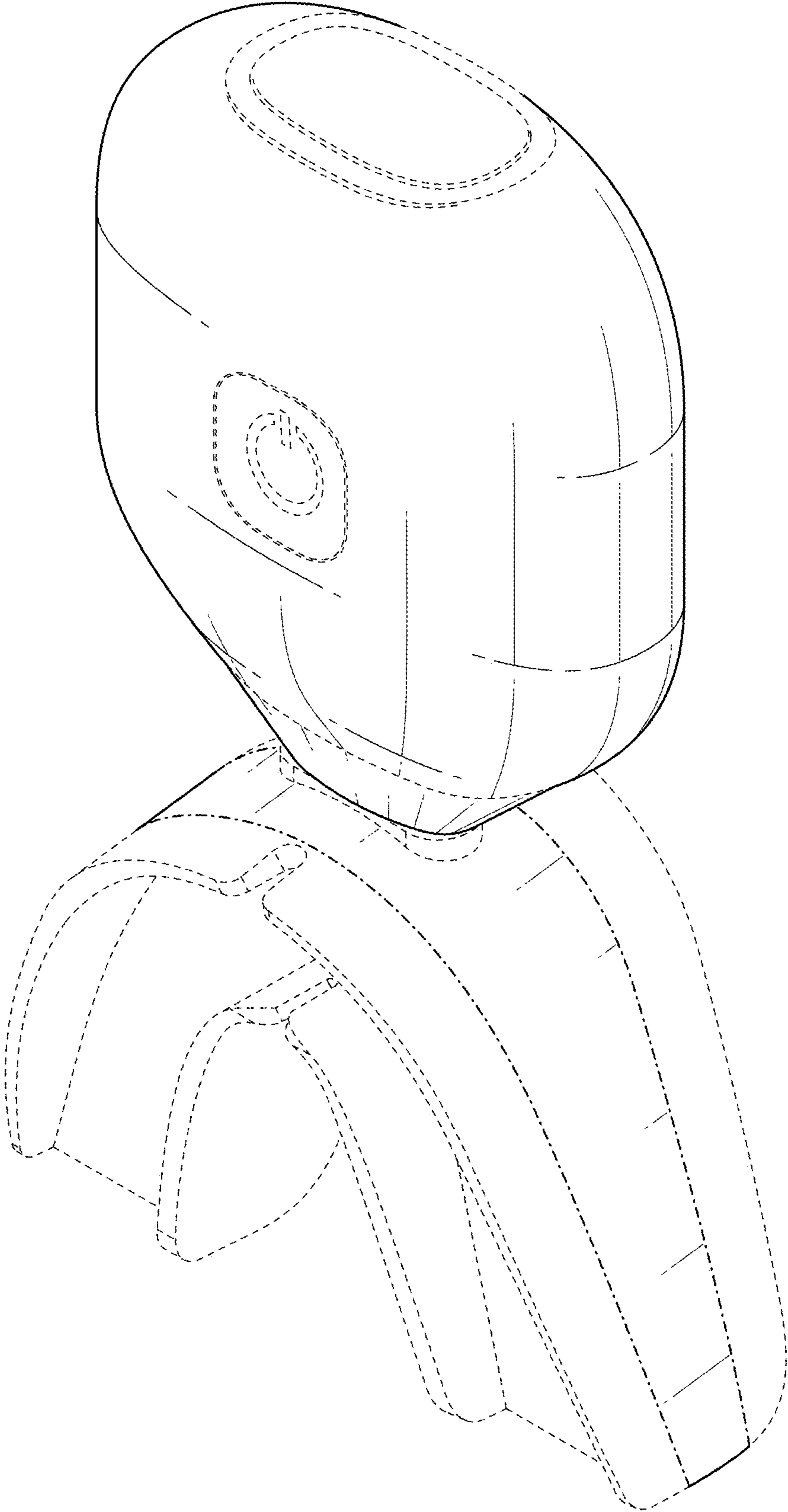


FIG. 1

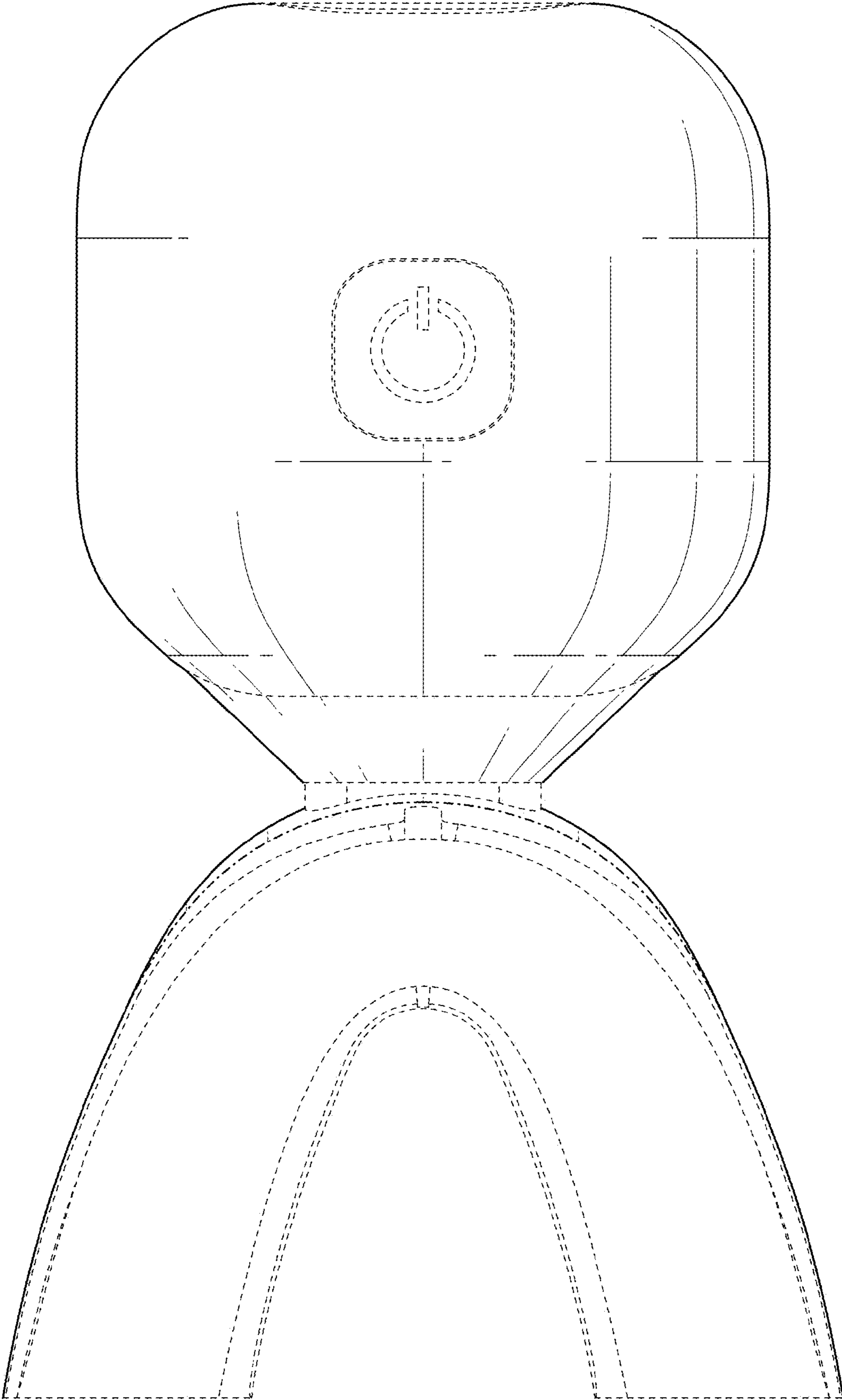


FIG. 2

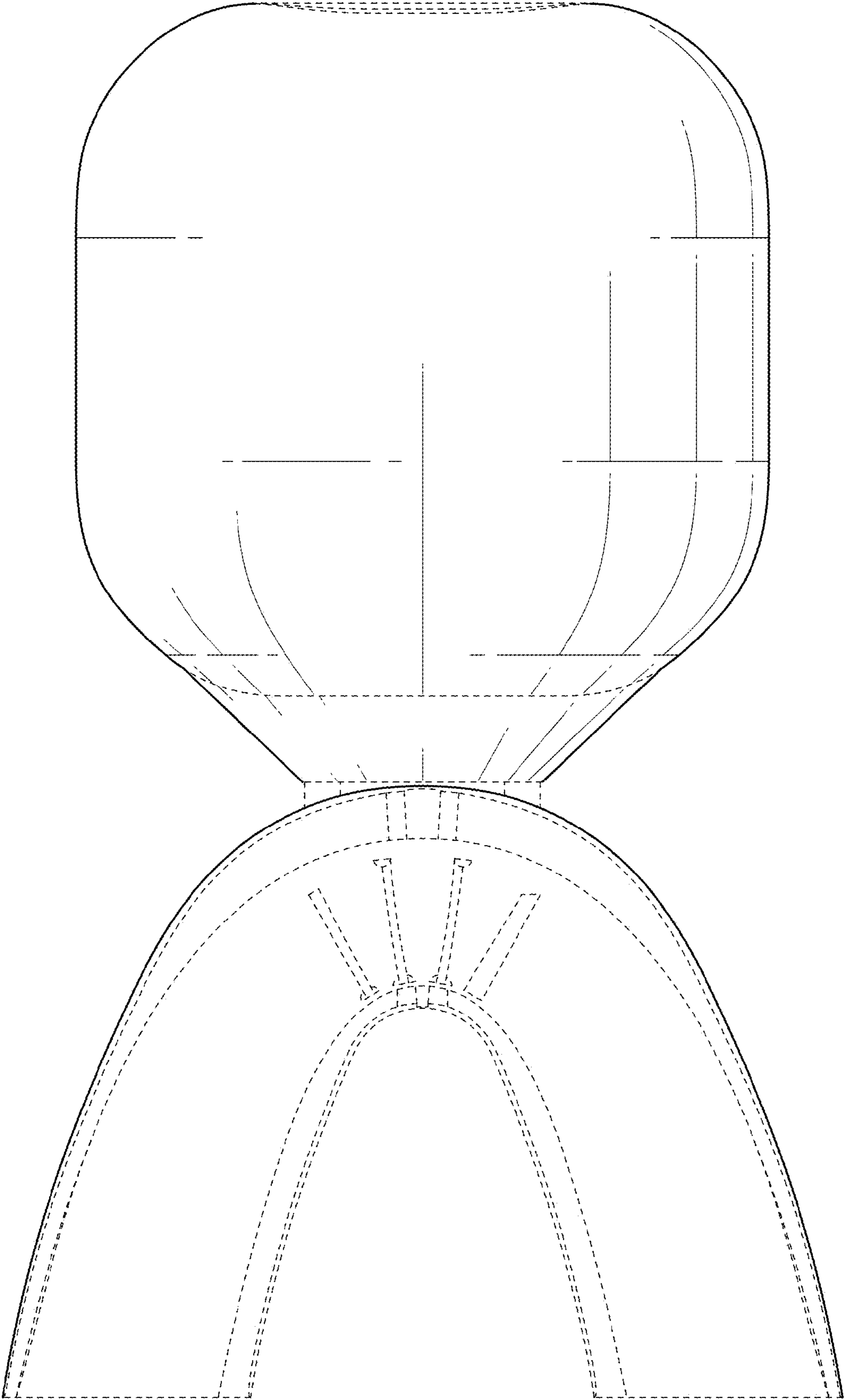


FIG. 3

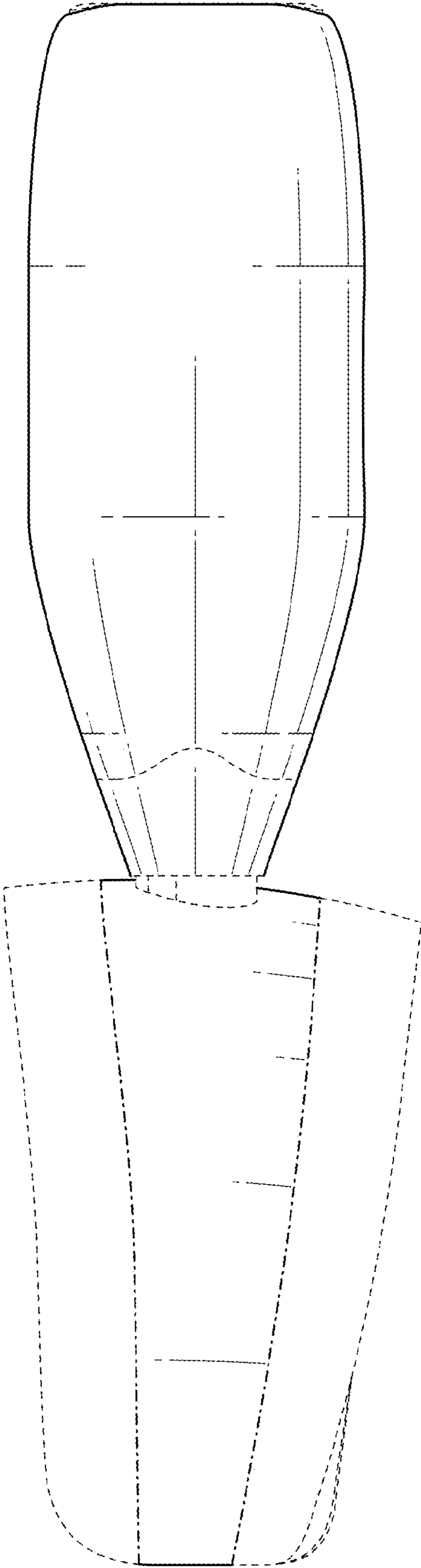


FIG. 4

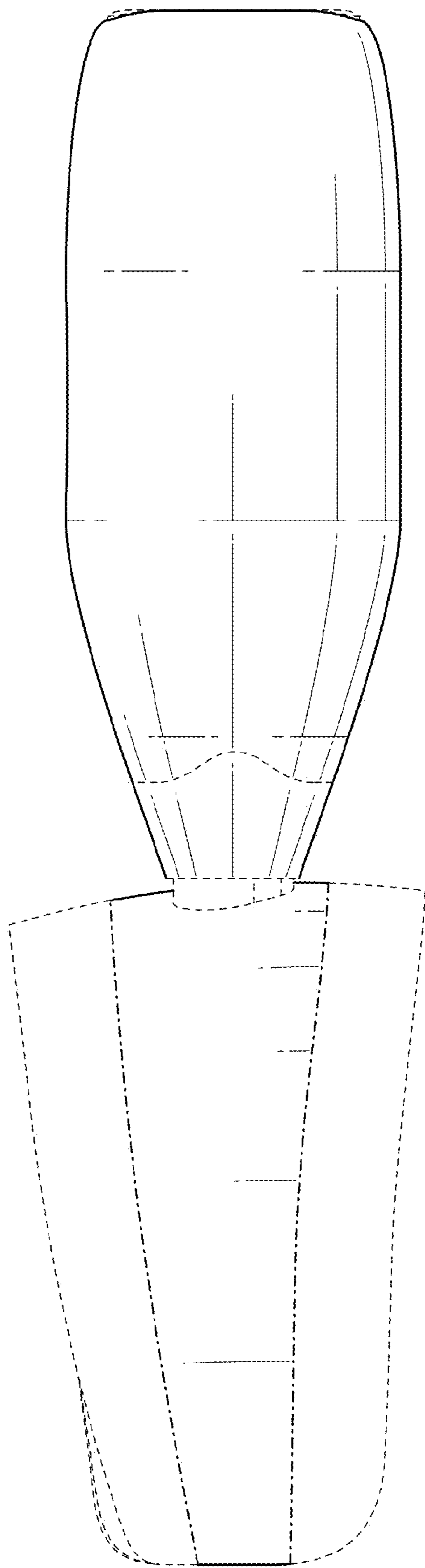


FIG. 5

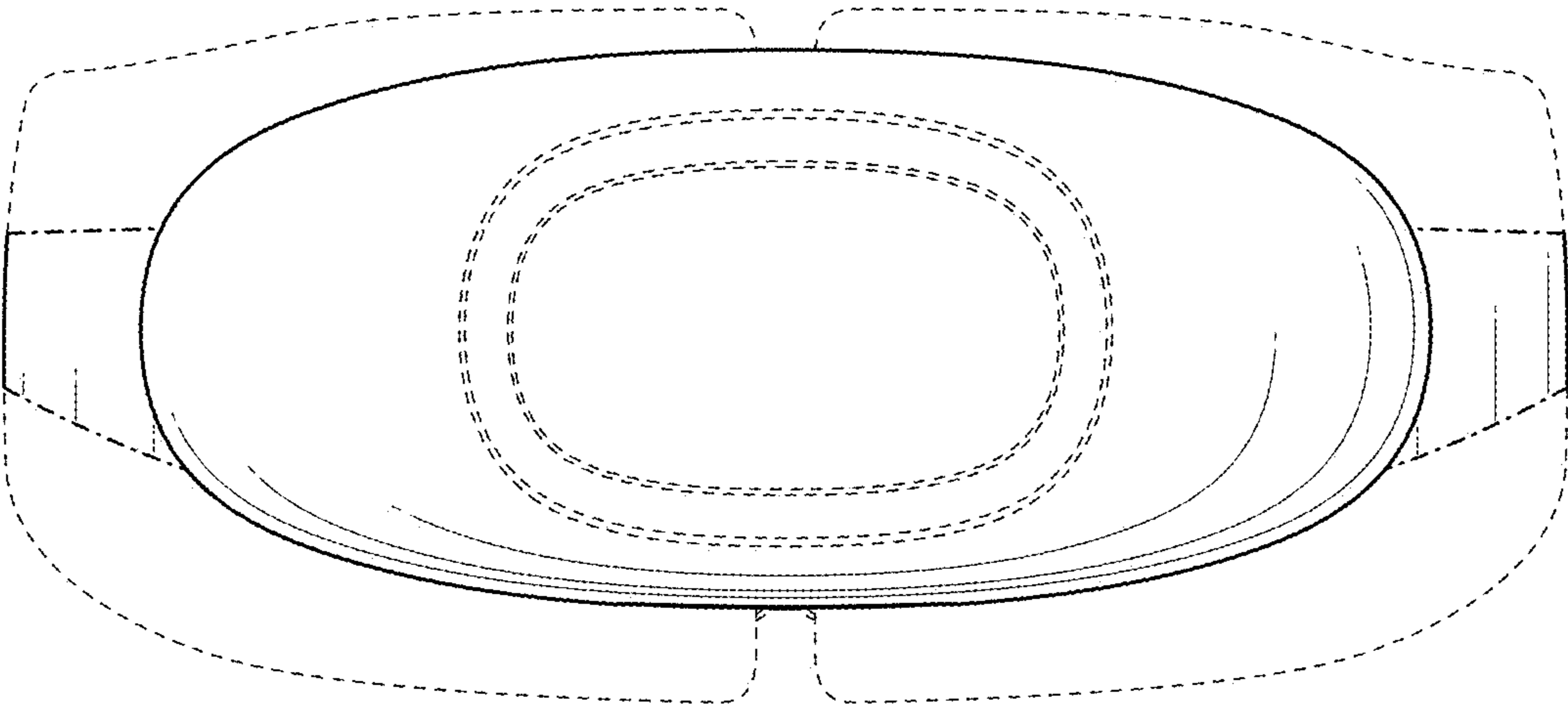


FIG. 6

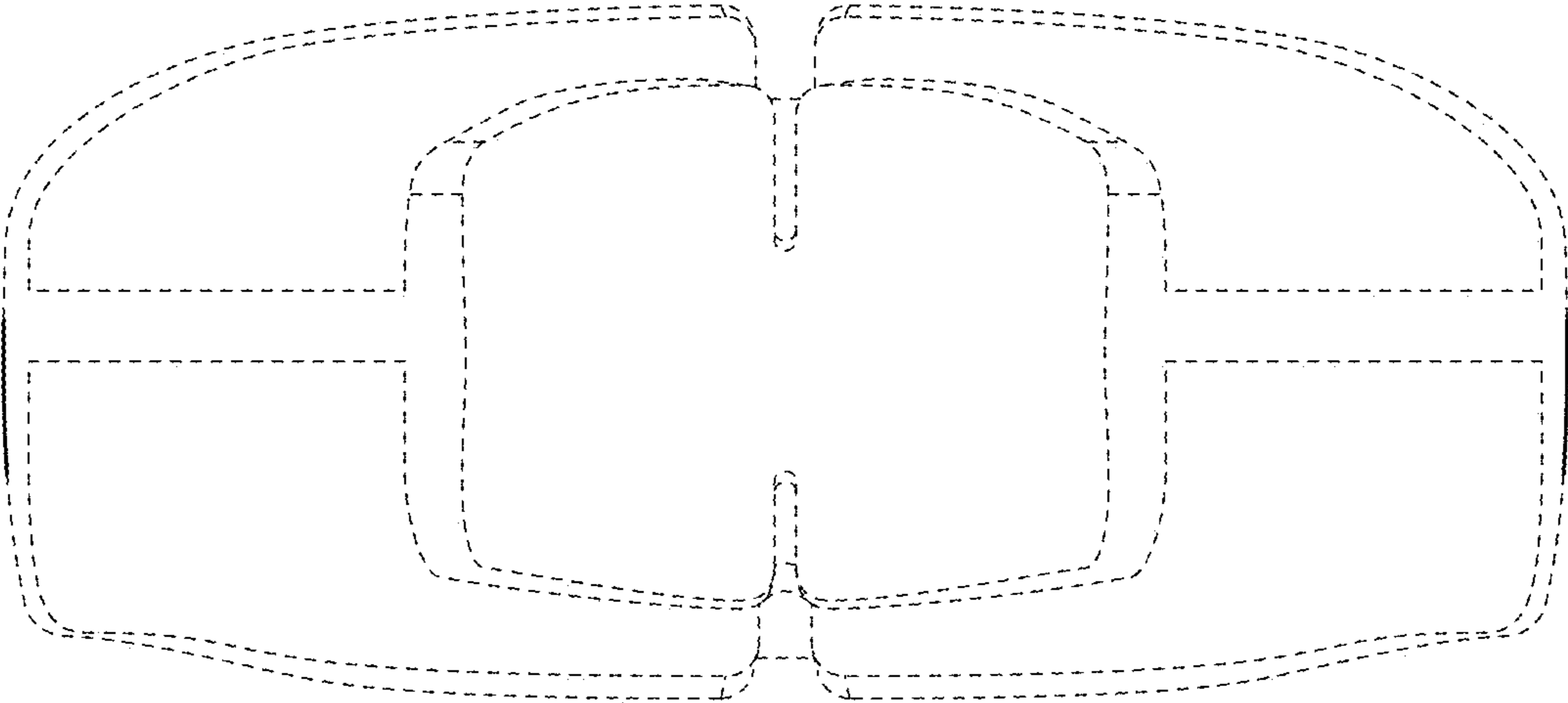


FIG. 7