



US00D939086S

(12) **United States Design Patent** (10) **Patent No.:** **US D939,086 S**
Siciliano (45) **Date of Patent:** **** Dec. 21, 2021**

- (54) **TATTOO MACHINE**
- (71) Applicant: **FK Irons Inc.**, Doral, FL (US)
- (72) Inventor: **Gaston Siciliano**, Doral, FL (US)
- (73) Assignee: **FK Irons Inc.**, Doral, FL (US)
- (**) Term: **15 Years**
- (21) Appl. No.: **29/766,316**
- (22) Filed: **Jan. 14, 2021**

D865,965 S 11/2019 Siciliano
 D866,762 S 11/2019 Lee
 10,471,246 B1 11/2019 Lipscomb
 10,688,253 B2* 6/2020 Neumetzler A61M 37/0076
 (Continued)

FOREIGN PATENT DOCUMENTS

CN 205913635 2/2017
 CN 304462021 1/2018
 (Continued)

OTHER PUBLICATIONS

kingpintattoosupply.com, "FK Irons Spektra Flux Stealth with Additional PowerBolt," Retrieved on Jan. 4, 2021. Retrieved from the Internet: <https://kingpintattoosupply.com/products/tattoo-supplies/tattoo-machines-and-parts/pen-machinesfik-irons-spektra-flux?SelectedSKU=FKI-SF-SAP&ut>

Primary Examiner — Wan Laymon
 (74) *Attorney, Agent, or Firm* — Akerman LLP; Peter A. Chiabotti

Related U.S. Application Data

- (62) Division of application No. 29/739,092, filed on Jun. 22, 2020, now Pat. No. Des. 910,846.
- (51) **LOC (13) Cl.** **24-02**
- (52) **U.S. Cl.**
USPC **D24/144**
- (58) **Field of Classification Search**
USPC D24/144, 146, 170, 133, 147; D28/7; D19/199
CPC A61M 37/0076; A61M 37/0084; A61M 37/0092; A61M 5/48; A61M 5/482
See application file for complete search history.

(57) **CLAIM**

The ornamental design for a tattoo machine, as shown and described.

DESCRIPTION

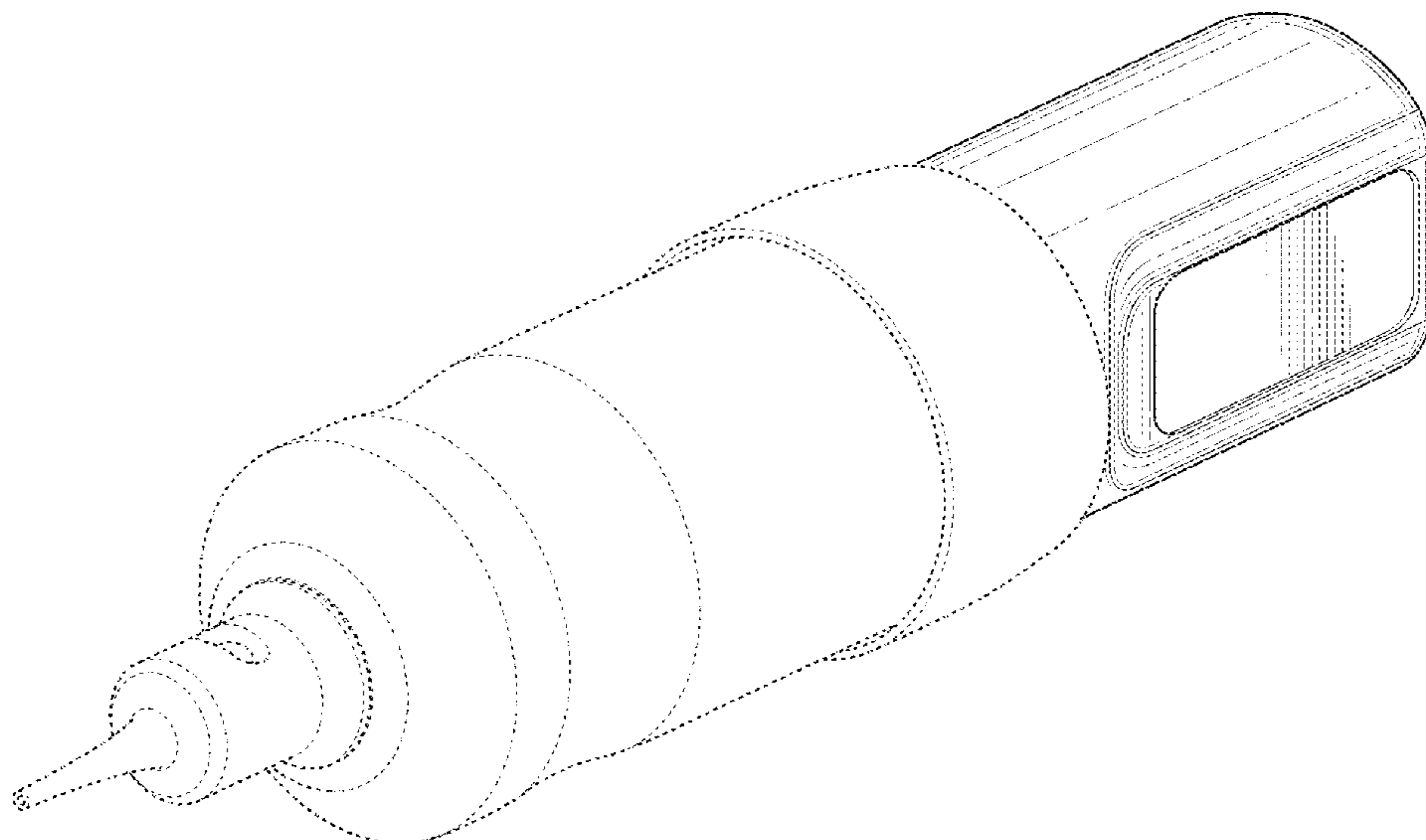
FIG. 1 is a perspective view of a tattoo machine showing my new design;
 FIG. 2 is a bottom view thereof;
 FIG. 3 is a top view thereof;
 FIG. 4 is a left side view thereof;
 FIG. 5 is a right side view thereof;
 FIG. 6 is a front view thereof; and,
 FIG. 7 is a rear view thereof.
 The broken lines shown in the figures are for the purpose of illustrating portions of the tattoo machine and form no part of the claimed design.

(56) **References Cited**

U.S. PATENT DOCUMENTS

- D322,479 S 12/1991 Miyaguchi
- D364,923 S 12/1995 Chou
- 7,380,480 B1 6/2008 Chen
- D598,095 S * 8/2009 Hansen A61M 37/0076
D24/133
- D655,815 S * 3/2012 Miller D24/133
- 8,668,663 B2* 3/2014 Kluge A61M 37/0076
604/22
- 8,920,379 B2 12/2014 Lee
- D746,448 S 12/2015 Wu et al.
- D805,198 S 12/2017 Lee
- D852,953 S * 7/2019 Ciferri D24/144
- D852,954 S * 7/2019 Ciferri D24/144

1 Claim, 4 Drawing Sheets



(56)

References Cited

U.S. PATENT DOCUMENTS

D893,716 S 8/2020 Siciliano
D901,685 S 11/2020 Wang
10,835,725 B2* 11/2020 Xiao A61M 37/0084
D903,866 S 12/2020 Chen
D906,520 S 12/2020 Wang
D910,175 S * 2/2021 Tegowski D24/147
2018/0236178 A1* 8/2018 Neumetzler A61M 37/0076
2018/0369553 A1 12/2018 Siciliano
2020/0114137 A1 4/2020 Siciliano
2020/0398036 A1 12/2020 Wittendorff et al.

FOREIGN PATENT DOCUMENTS

CN 305127063 4/2019
CN 305318880 8/2019
CN 305991727 8/2020
EM 006392221-0002 5/2019
EM 008158729-0001 9/2020
JP D1103810 3/2001
JP D1341174 10/2008
JP D1341392 10/2008
KR 10-2017-0107817 9/2017
KR 10-2042176 11/2019
KR 30-1077593 10/2020
WO 2019/096936 5/2019

* cited by examiner

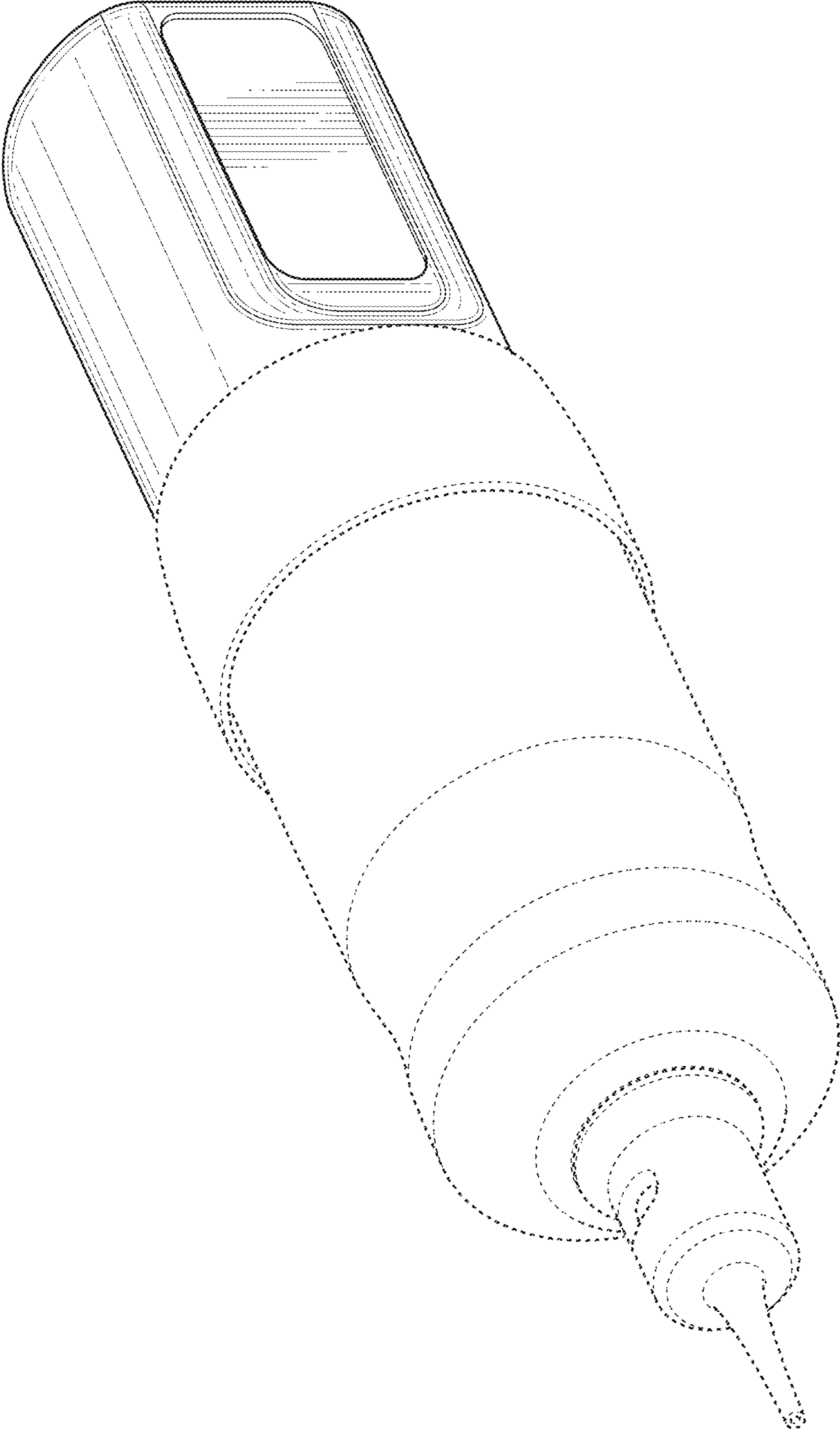


FIG. 1

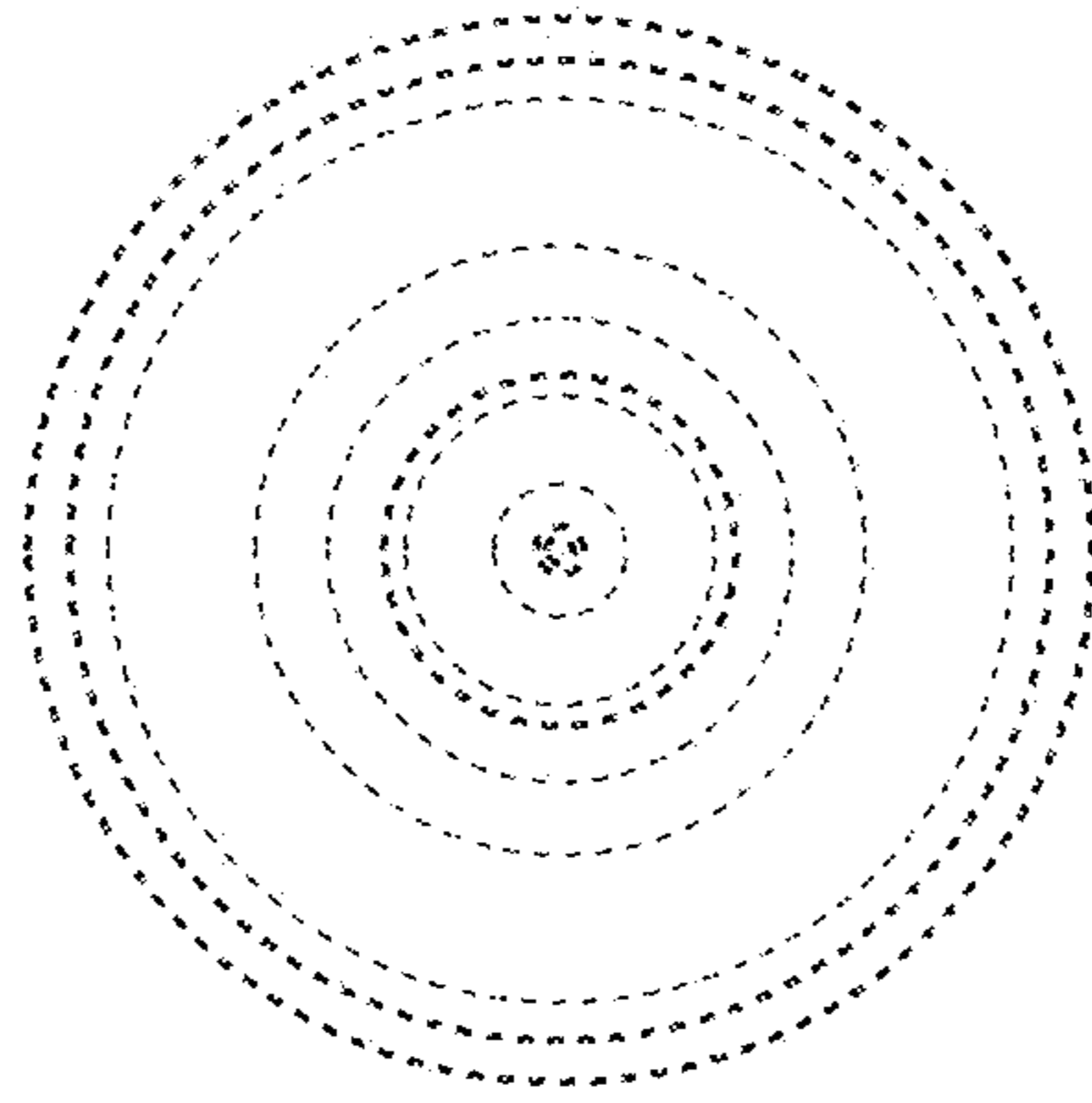


FIG. 2

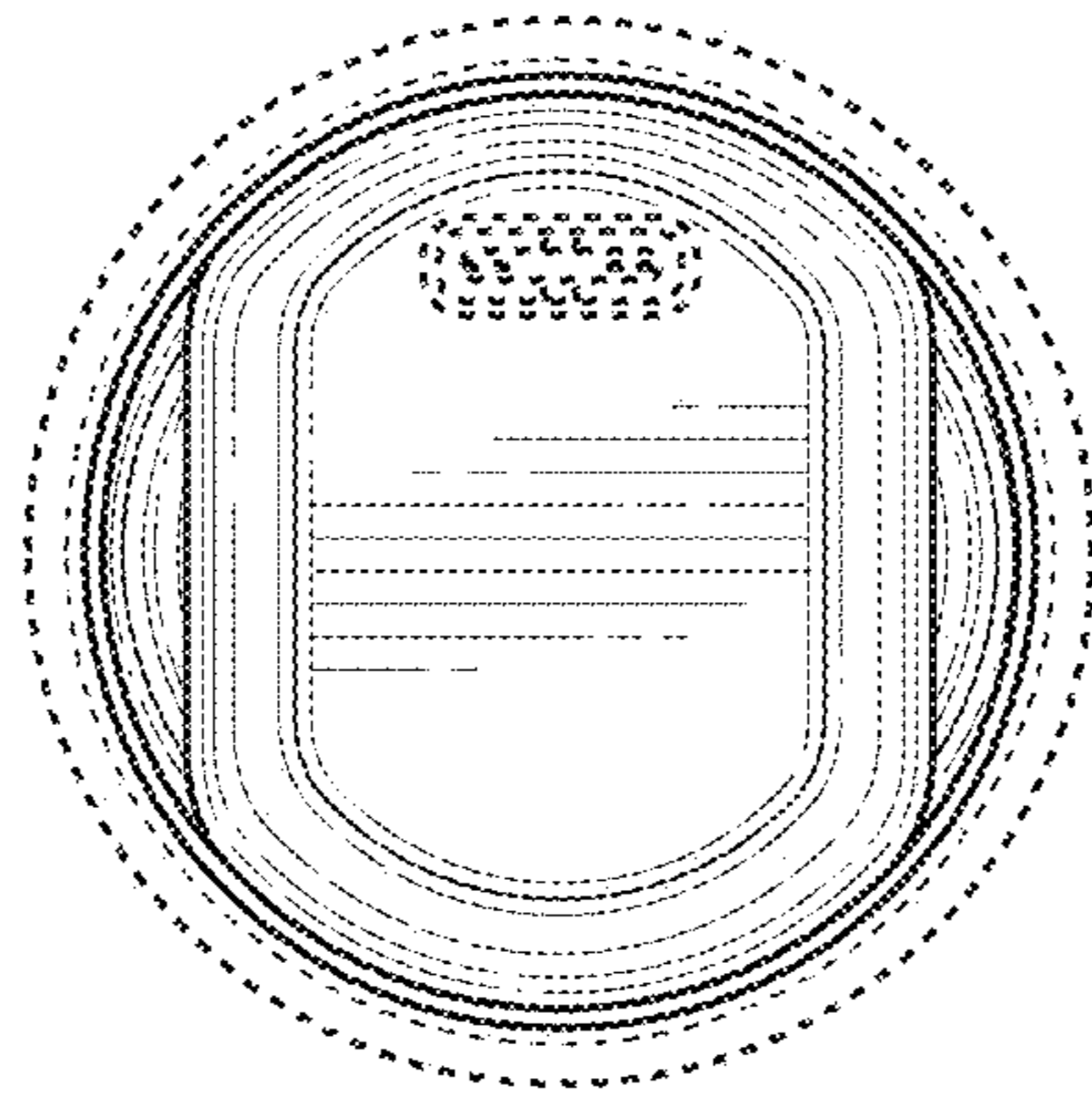


FIG. 3

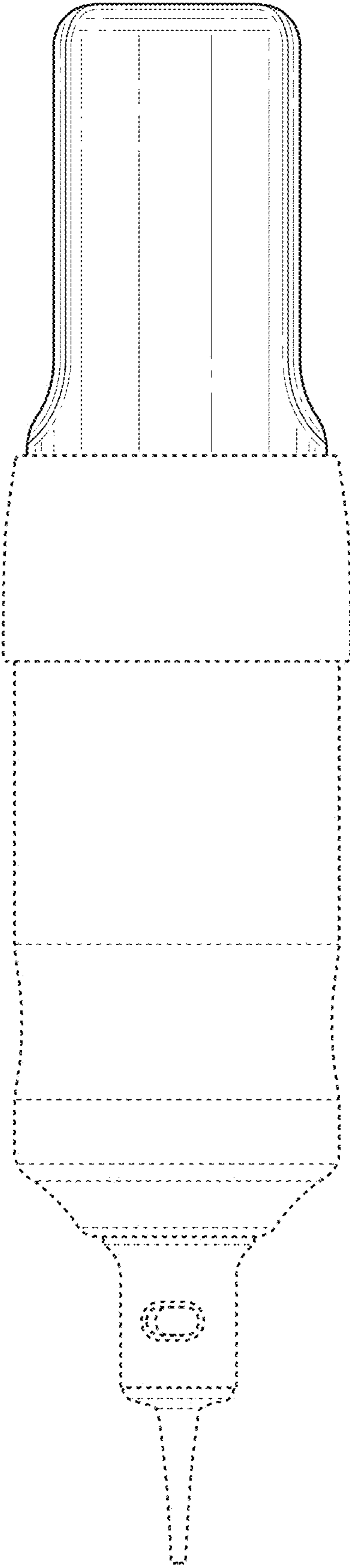


FIG. 4

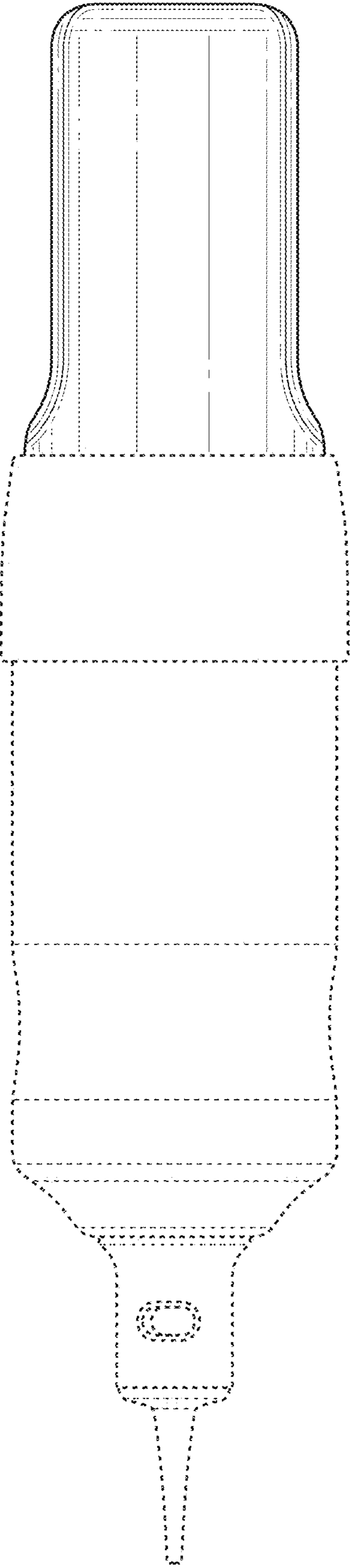


FIG. 5

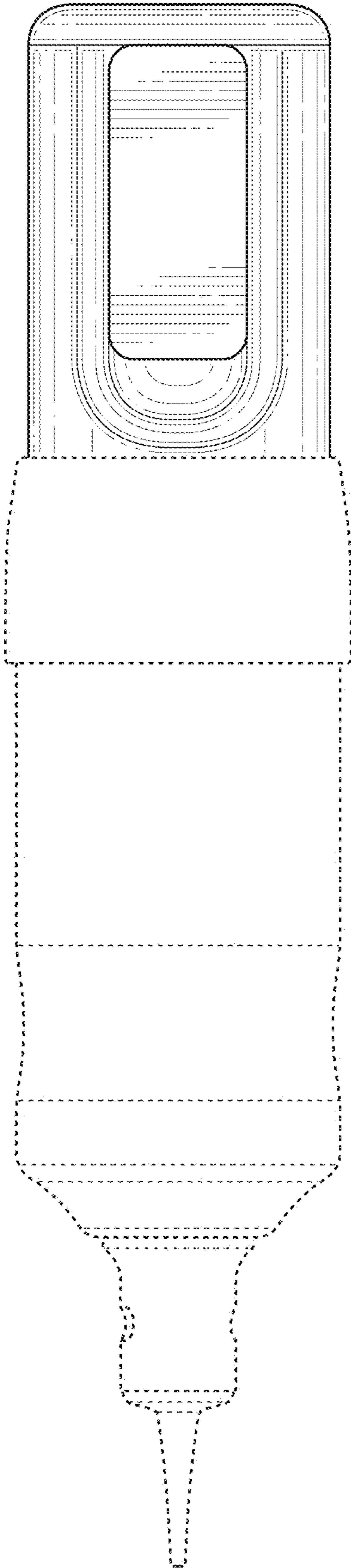


FIG. 6

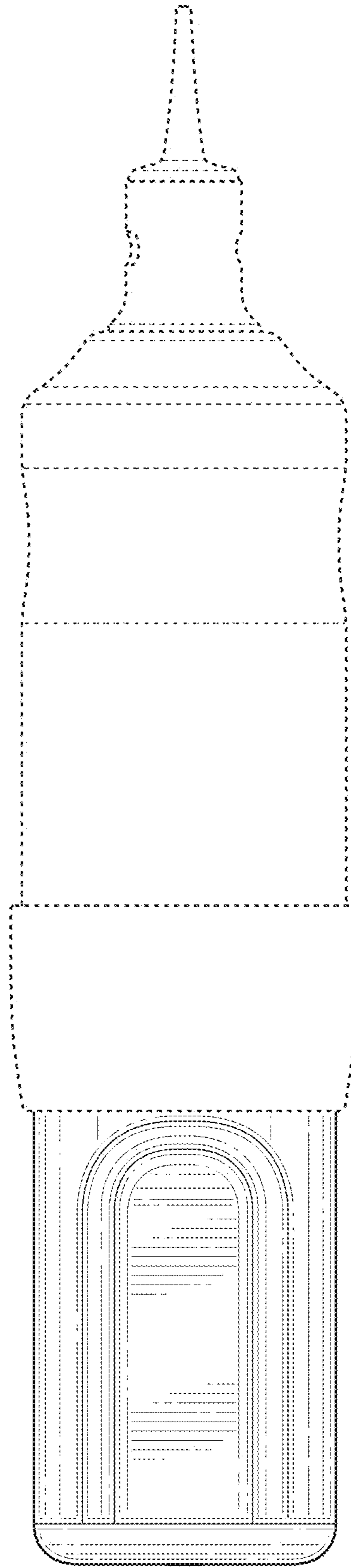


FIG. 7