



US00D939084S

(12) **United States Design Patent**
Kawanishi

(10) **Patent No.:** **US D939,084 S**

(45) **Date of Patent:** **** Dec. 21, 2021**

(54) **BODY OF CAMERA FOR MEDICAL USE**

(71) Applicant: **OLYMPUS CORPORATION**, Tokyo
(JP)

(72) Inventor: **Yui Kawanishi**, Hachioji (JP)

(73) Assignee: **OLYMPUS CORPORATION**, Tokyo
(JP)

(**) Term: **15 Years**

(21) Appl. No.: **29/699,867**

(22) Filed: **Jul. 30, 2019**

(51) **LOC (13) Cl.** **24-02**

(52) **U.S. Cl.**
USPC **D24/138**

(58) **Field of Classification Search**

USPC D24/108, 112, 117-118, 129, 132, 133,
D24/137, 138, 170, 222; D16/200,
D16/202-206, 208, 218, 219; 348/347,
348/373-376; 396/535, 539-541;
600/49, 109, 137, 145-147
CPC G03B 15/03; G03B 17/02; G03B 17/04;
G03B 17/56; G03B 19/04; H04N 5/2251;
H04N 5/2252; H04N 5/2253; H04N
5/2254; H04N 2101/00; H04N 5/33;
H04N 5/332

See application file for complete search history.

(56) **References Cited**

U.S. PATENT DOCUMENTS

D581,052 S * 11/2008 Root D24/133
D607,032 S * 12/2009 Halleck D16/202

D698,441 S * 1/2014 Meguro D24/138
D701,603 S * 3/2014 Tanaka D24/170
D761,420 S * 7/2016 Hayamizu D24/129
D777,915 S * 1/2017 Tanaka D24/138
D803,396 S * 11/2017 Oberkircher D24/133
D841,159 S * 2/2019 Tanaka D24/138
D865,960 S * 11/2019 Hahn D24/138
D872,860 S * 1/2020 Funakoshi D24/138

* cited by examiner

Primary Examiner — Ramzi Almatrahi

(74) *Attorney, Agent, or Firm* — Scully, Scott, Murphy &
Presser, P.C.

(57) **CLAIM**

The ornamental design for a body of camera for medical use,
as shown and described.

DESCRIPTION

FIG. 1 is a top, front and right side perspective view of a
body of camera for medical use showing my new design;
FIG. 2 is a rear and left side perspective view thereof;
FIG. 3 is a front elevation view thereof;
FIG. 4 is a rear elevation view thereof;
FIG. 5 is a top plan view thereof;
FIG. 6 is a bottom plan view thereof;
FIG. 7 is a right side elevation view thereof; and,
FIG. 8 is a left side elevation view thereof.

The broken lines depict portions of the body of camera for
medical use in which the design is embodied that form no
part of the claimed design. Additionally, the dot-dash broken
lines denote the boundary of the claim and form no part of
the claimed design.

1 Claim, 8 Drawing Sheets

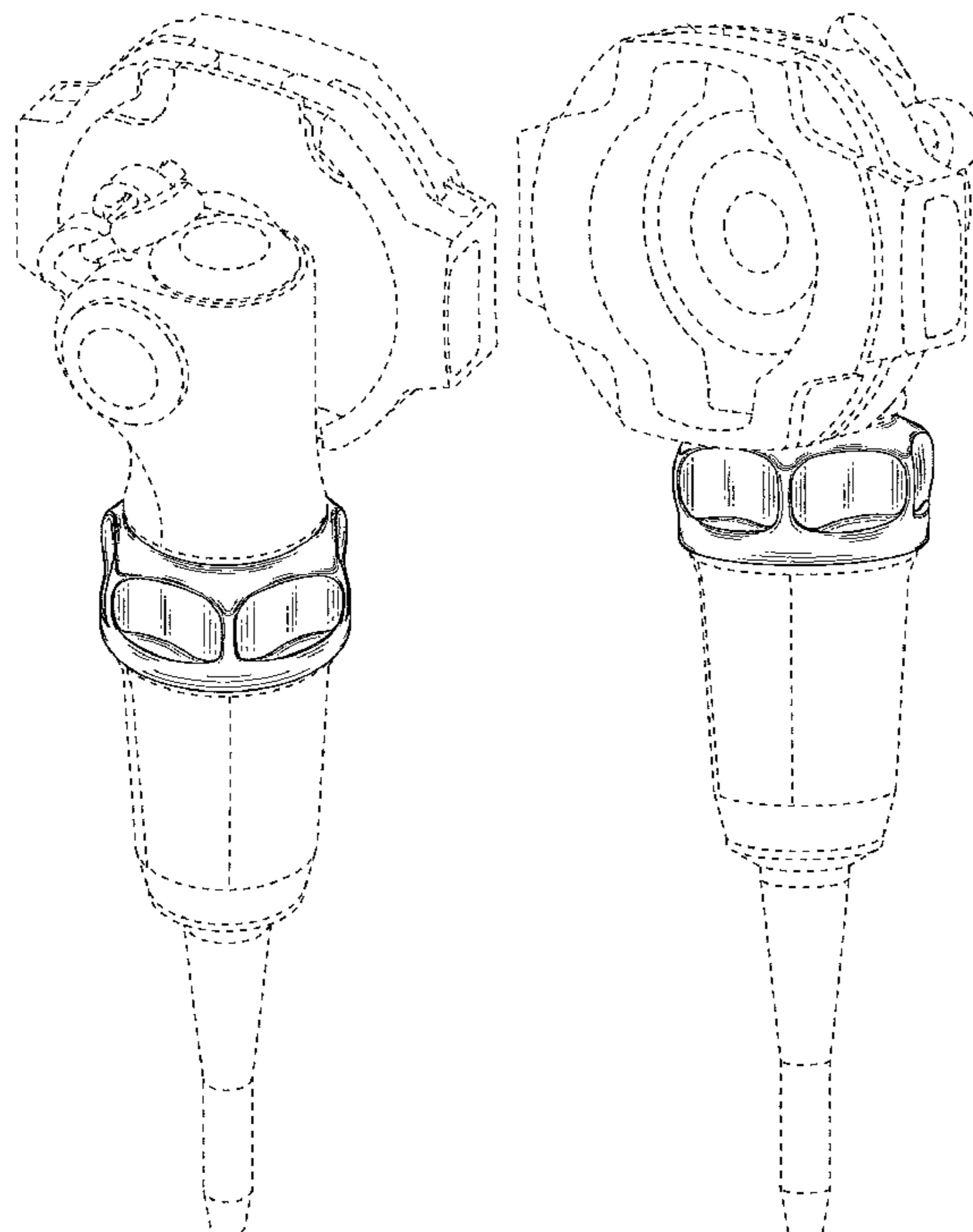


FIG.1

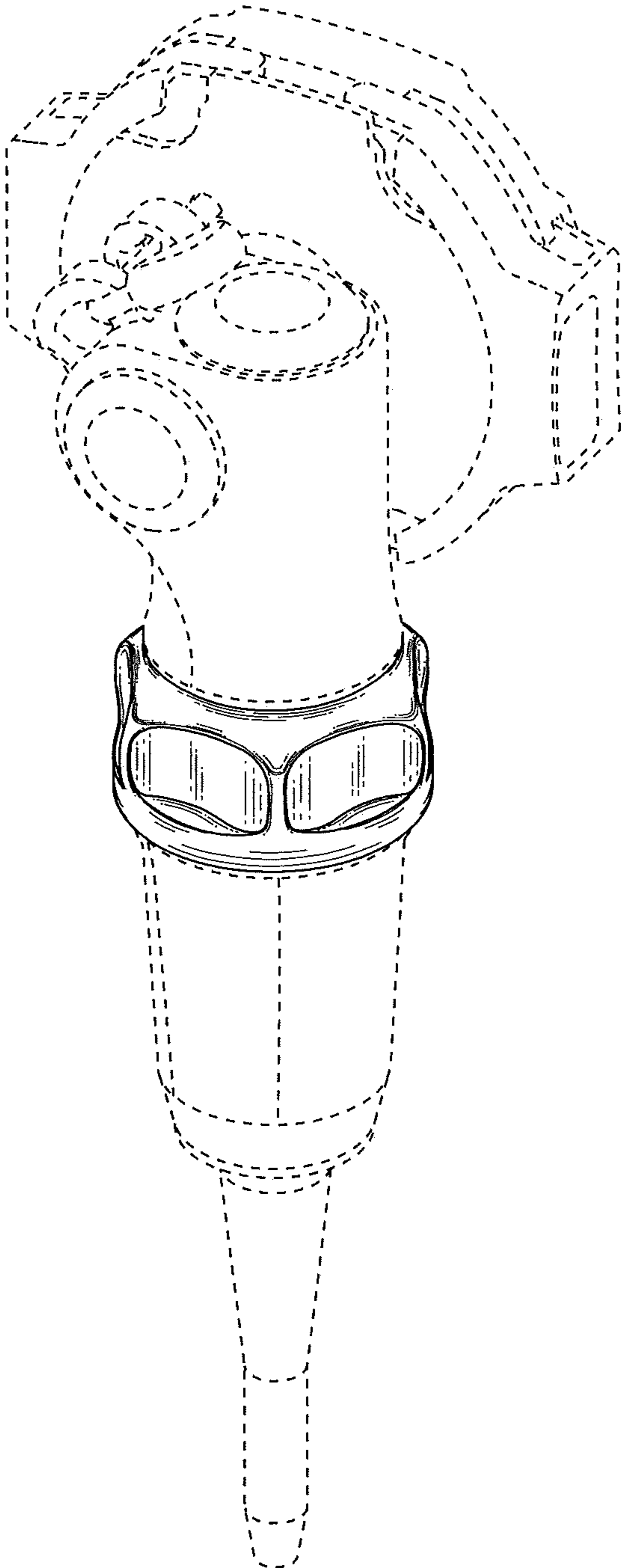


FIG.2

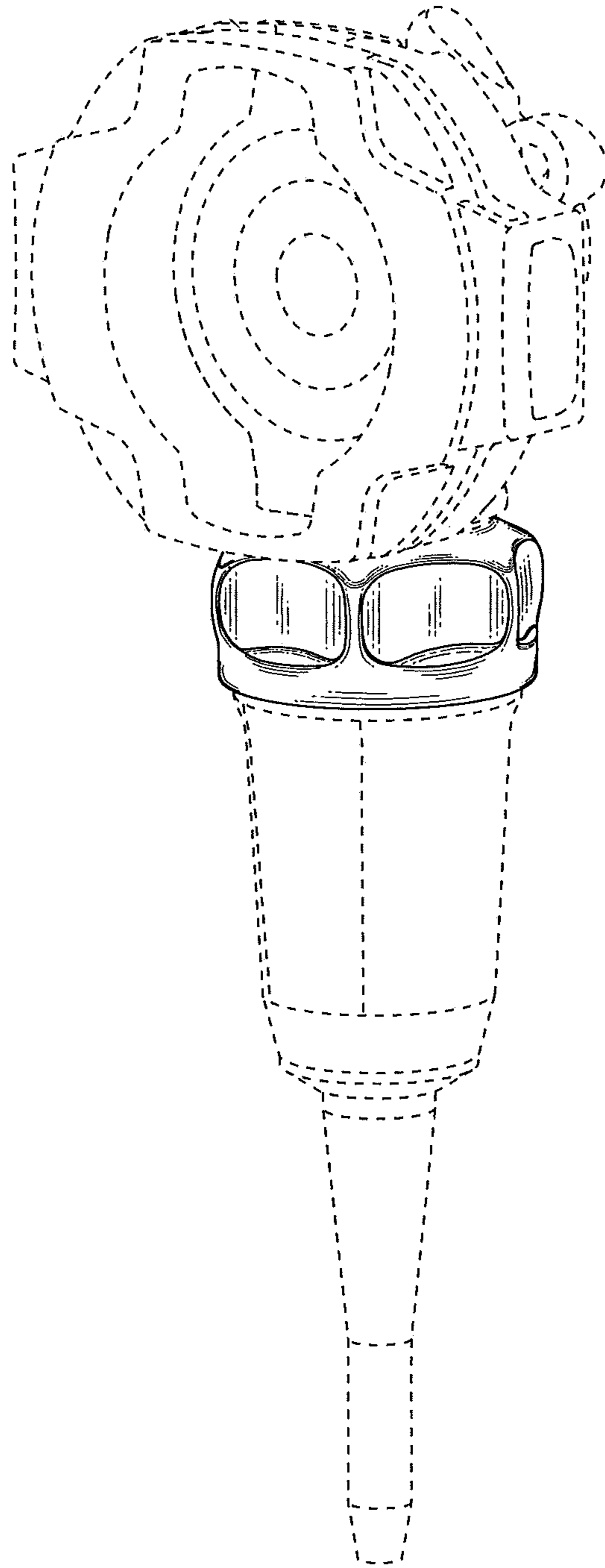


FIG. 3

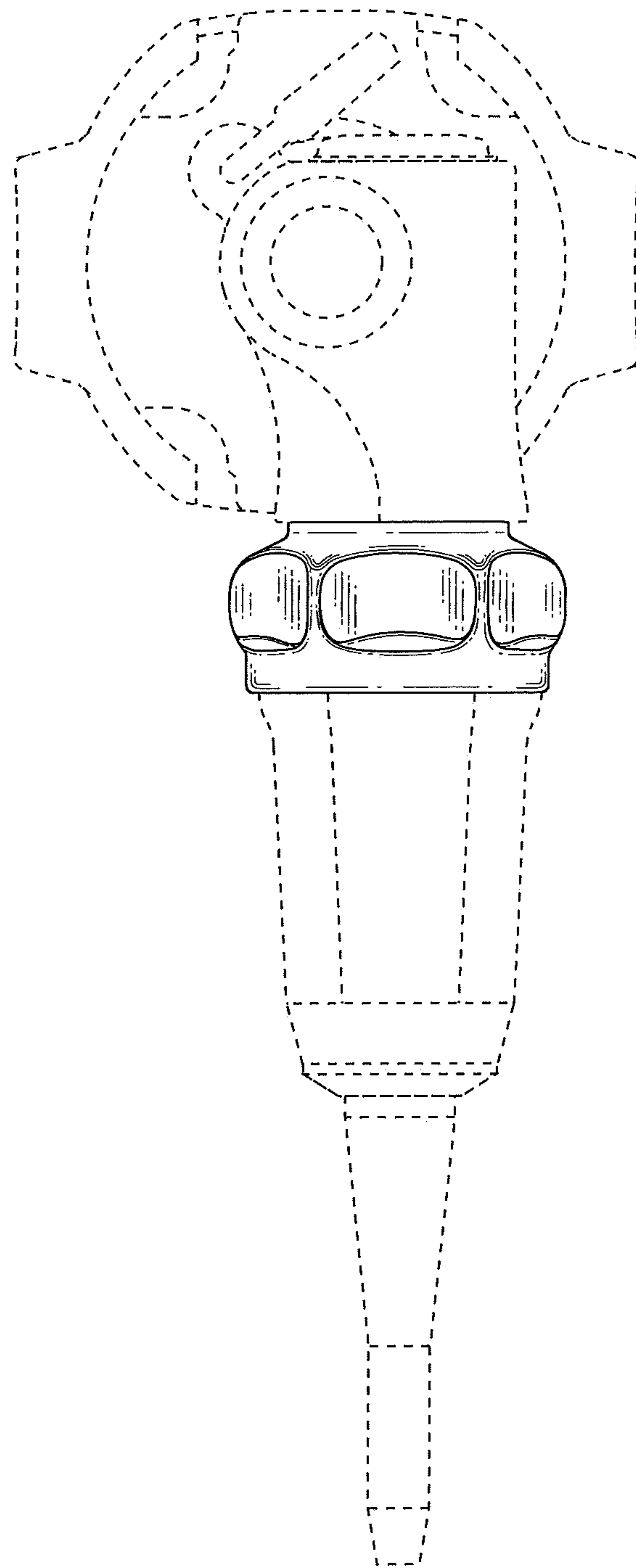


FIG. 4

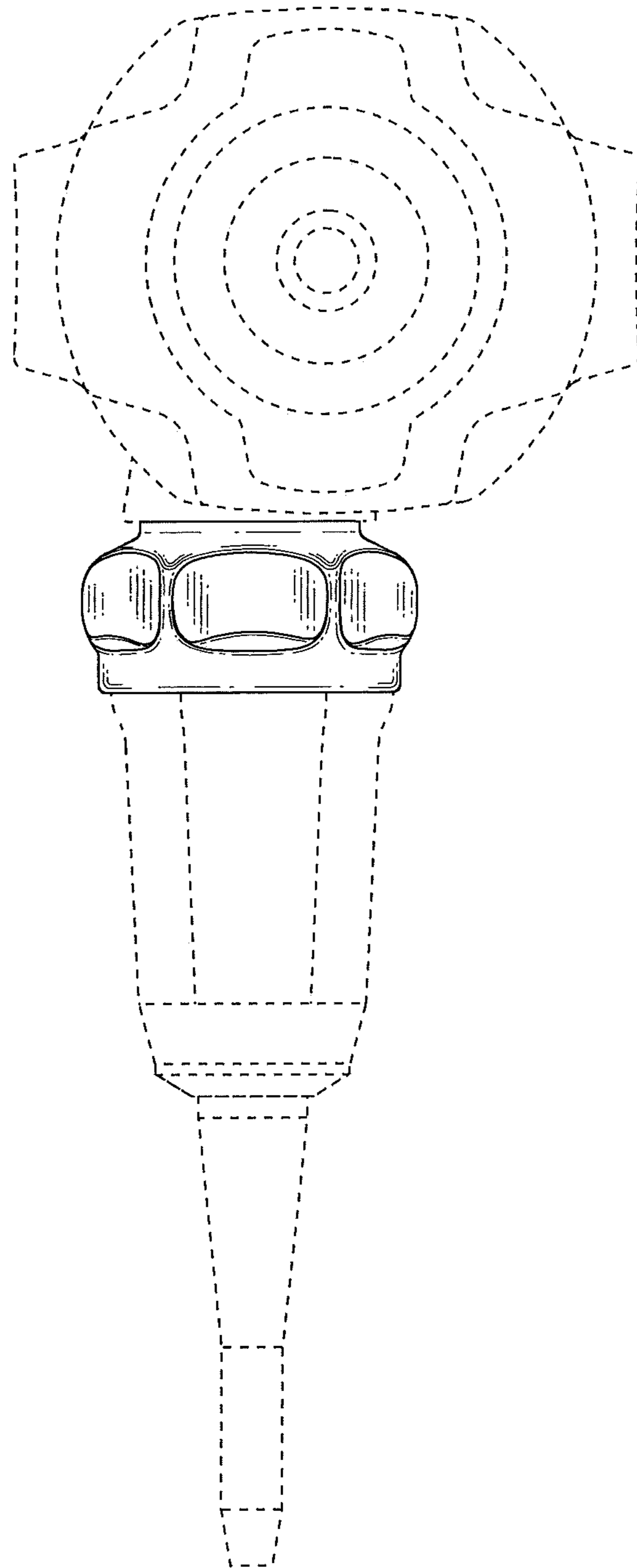


FIG.5

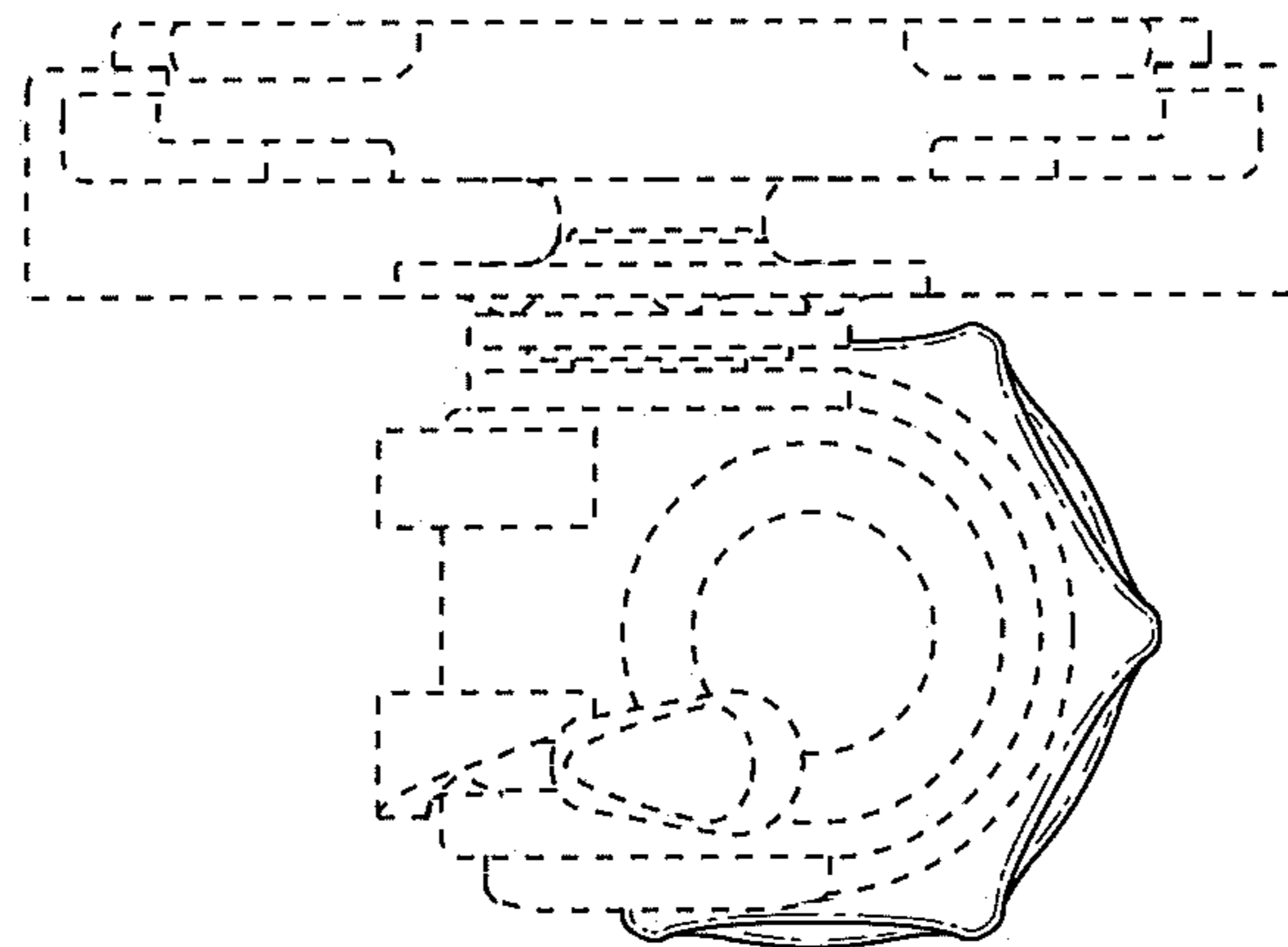


FIG.6

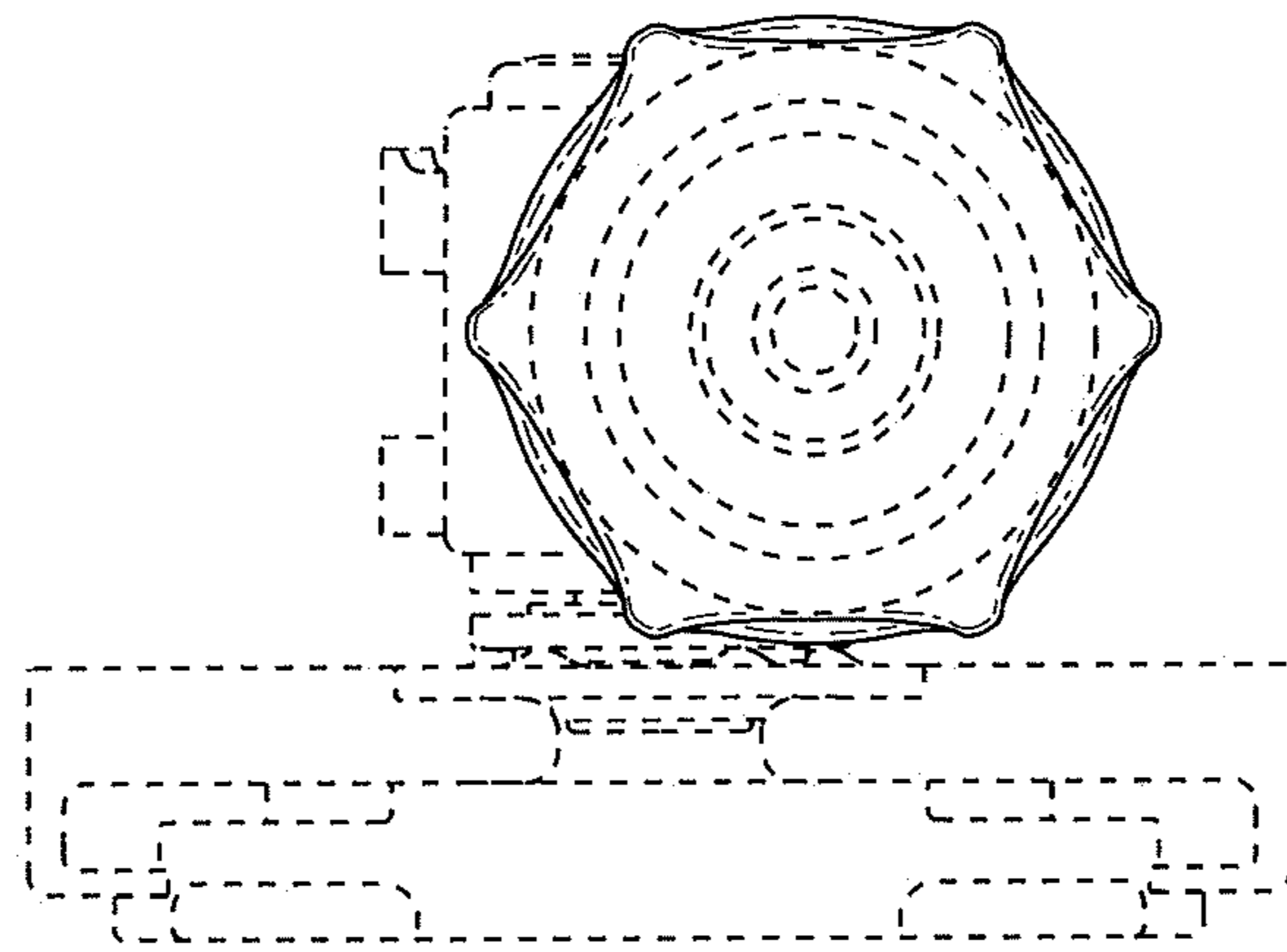


FIG. 7

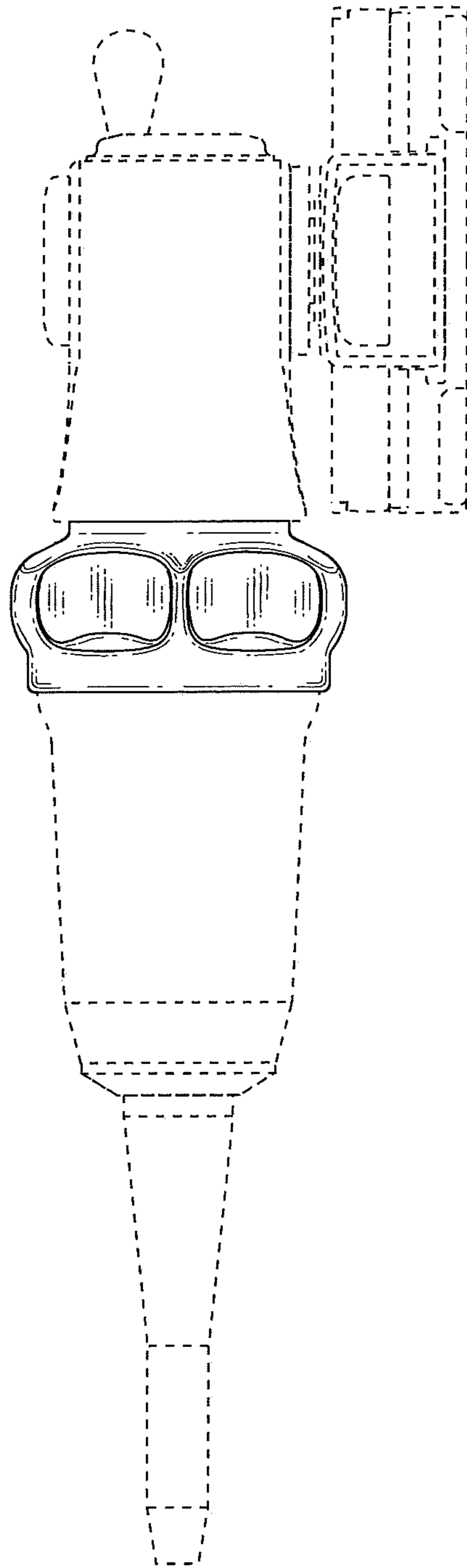


FIG.8

