



US00D939083S

(12) **United States Design Patent** (10) **Patent No.:** **US D939,083 S**
Jayol (45) **Date of Patent:** **** Dec. 21, 2021**

(54) **GIRTH ADJUSTABLE DEVICE**
(71) Applicant: **Benjamin Ernest Héloïs Jayol**, Los Angeles, CA (US)
(72) Inventor: **Benjamin Ernest Héloïs Jayol**, Los Angeles, CA (US)
(**) Term: **15 Years**
(21) Appl. No.: **29/703,162**
(22) Filed: **Aug. 25, 2019**

D778,174 S * 2/2017 Zhang D9/724
D836,195 S * 12/2018 Pang D24/141
D840,029 S * 2/2019 Gemmer D24/135
D841,161 S * 2/2019 Buell D24/141
D842,466 S * 3/2019 Buell D24/141
D842,467 S * 3/2019 Buell D24/141
D842,993 S * 3/2019 Buell D24/141
D898,911 S * 10/2020 Beer D24/141
D901,684 S * 11/2020 Angert D24/141
D913,494 S * 3/2021 Andersen D24/141
2019/0262591 A1 * 8/2019 Jayol A61B 1/32
2021/0008357 A1 * 1/2021 Jayol A61H 1/00

Related U.S. Application Data

(63) Continuation-in-part of application No. 16/005,679, filed on Jun. 12, 2018.
(51) **LOC (13) Cl.** **24-02**
(52) **U.S. Cl.**
USPC **D24/135**
(58) **Field of Classification Search**
USPC D24/119, 133, 135, 141, 200, 211, 212, D24/213, 214, 215; D30/160
CPC A61H 7/001; A61H 7/007; A61H 19/32; A61H 2205/087; A61H 19/50
See application file for complete search history.

OTHER PUBLICATIONS
Amazon, "OdontoMed2011 Collin Speculum", Apr. 21, 2019. https://www.amazon.com/OdontoMed2011%C2%AE-Collin-Speculum-Tactical-Coated/dp/B07BFCY7KQ/ref=cm_cr_arp_d_product_top?ie=UTF8. Shown on p. 1. (Year: 2019).*

* cited by examiner
Primary Examiner — Cynthia Ramirez
Assistant Examiner — Michael A Maharajh

(56) **References Cited**

U.S. PATENT DOCUMENTS

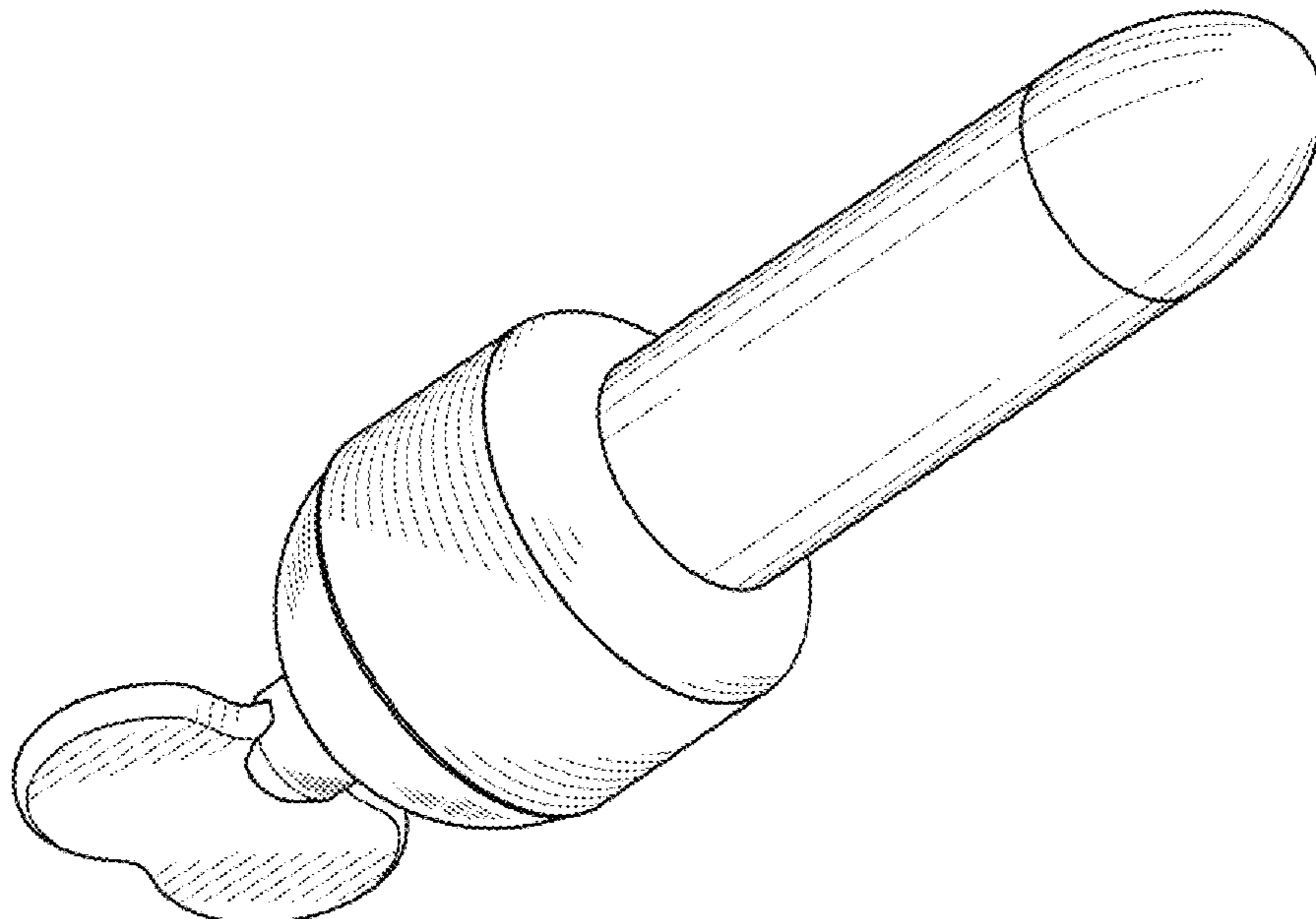
D318,531 S * 7/1991 Nelson D24/119
D375,358 S * 11/1996 Clark D24/133
D467,340 S * 12/2002 Mayer D24/133
D536,786 S * 2/2007 Schreiner D24/112
D539,900 S * 4/2007 Fedenia D24/108
D550,356 S * 9/2007 Anderson D24/112
D585,988 S * 2/2009 Kinnard D24/133
D656,609 S * 3/2012 Perez A61F 11/006
D24/119
D728,097 S * 4/2015 Bravo D24/141

(57) **CLAIM**
The ornamental design for a girth adjustable device, as shown.

DESCRIPTION

FIG. 1 illustrates a perspective view of a girth adjustable device showing my new design;
FIG. 2 illustrates a front view thereof;
FIG. 3 illustrates a back view thereof;
FIG. 4 illustrates a top view thereof;
FIG. 5 illustrates a bottom view thereof;
FIG. 6 illustrates a right view thereof; and,
FIG. 7 illustrates a left view thereof.

1 Claim, 2 Drawing Sheets



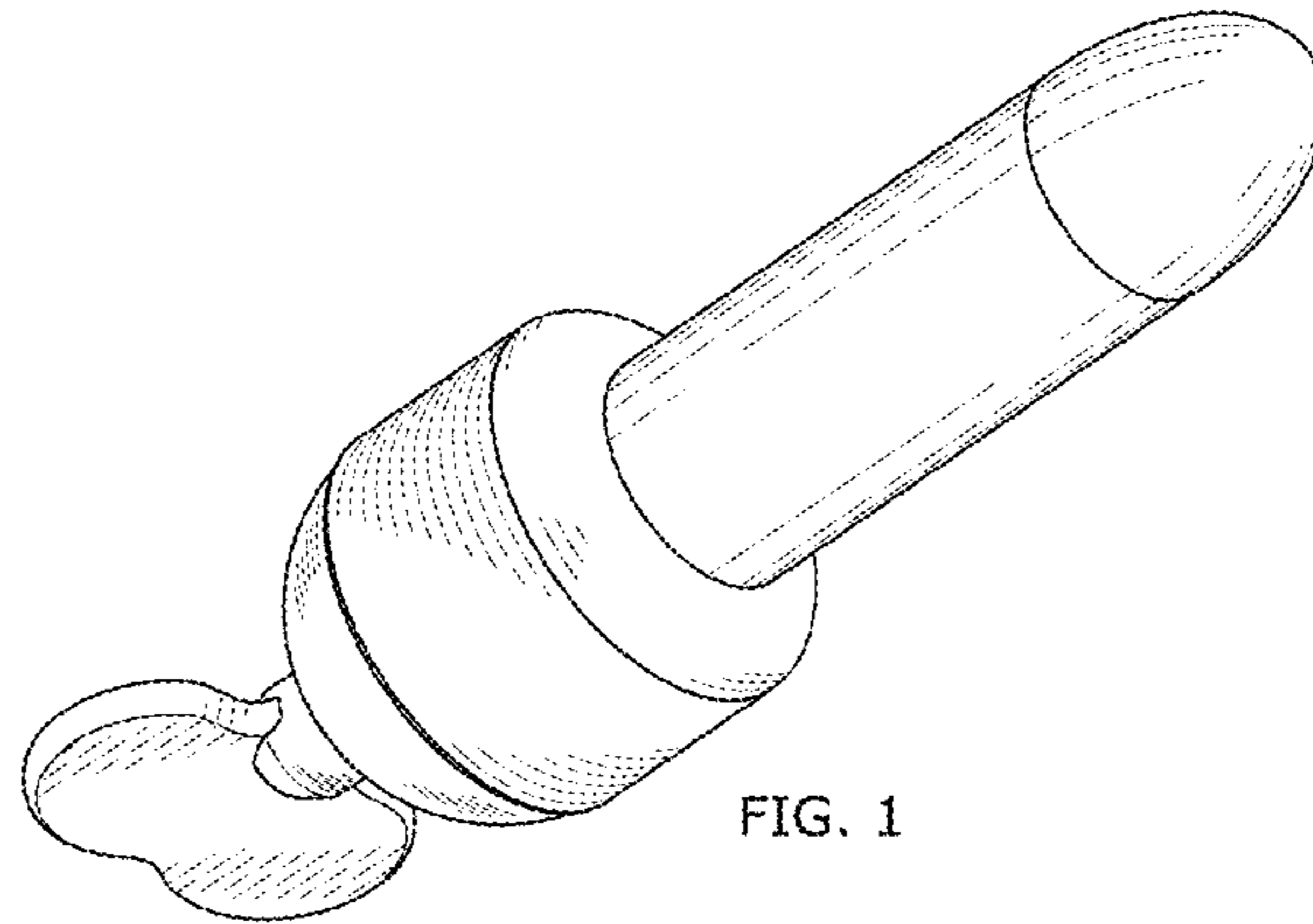


FIG. 1

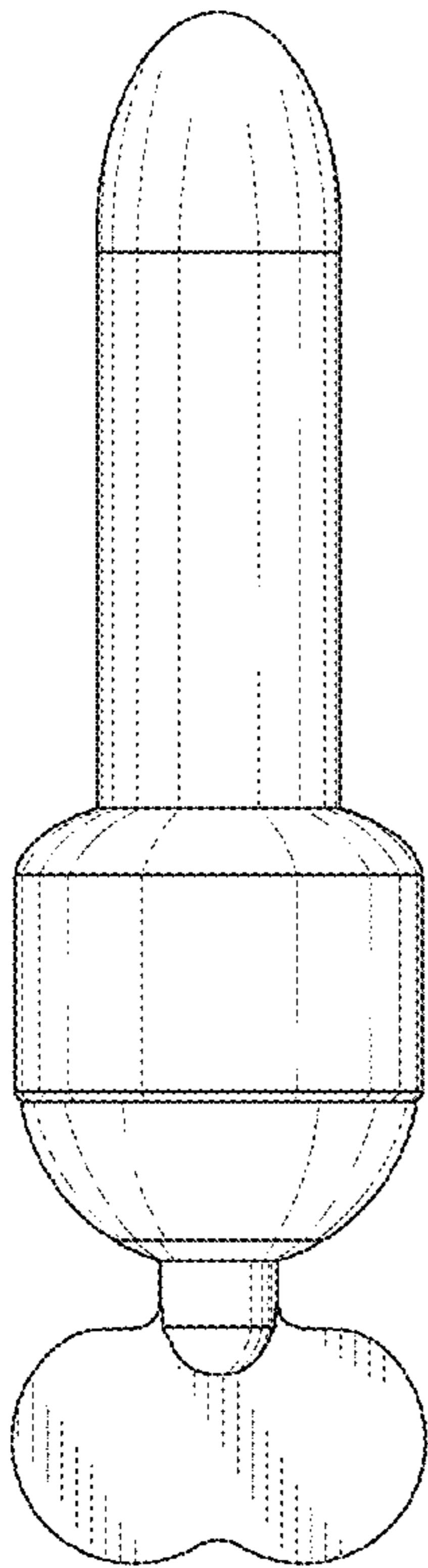


FIG. 2

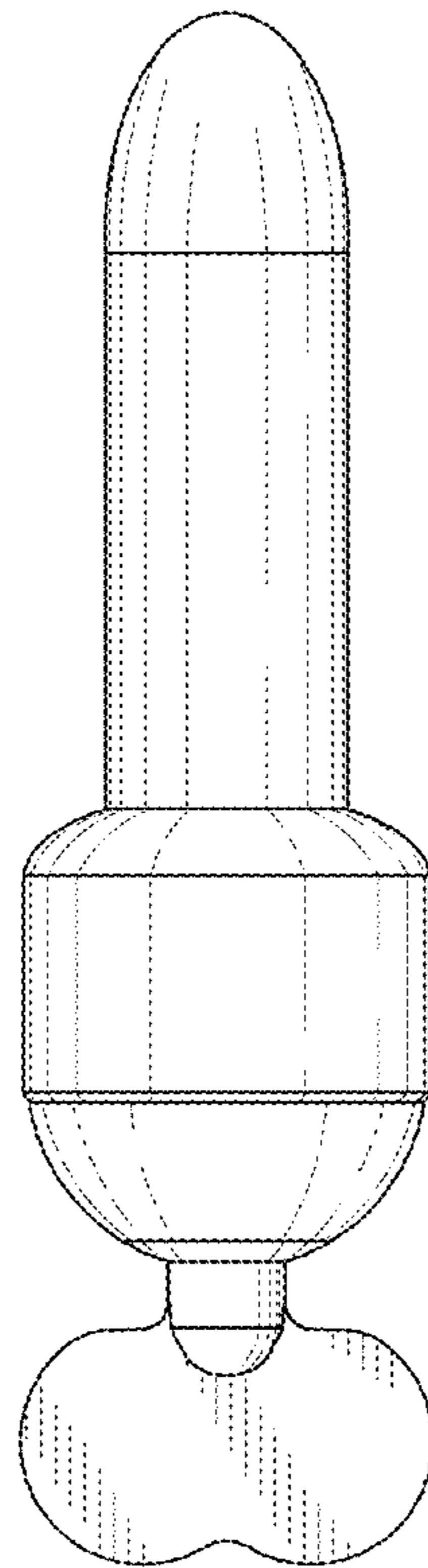


FIG. 3

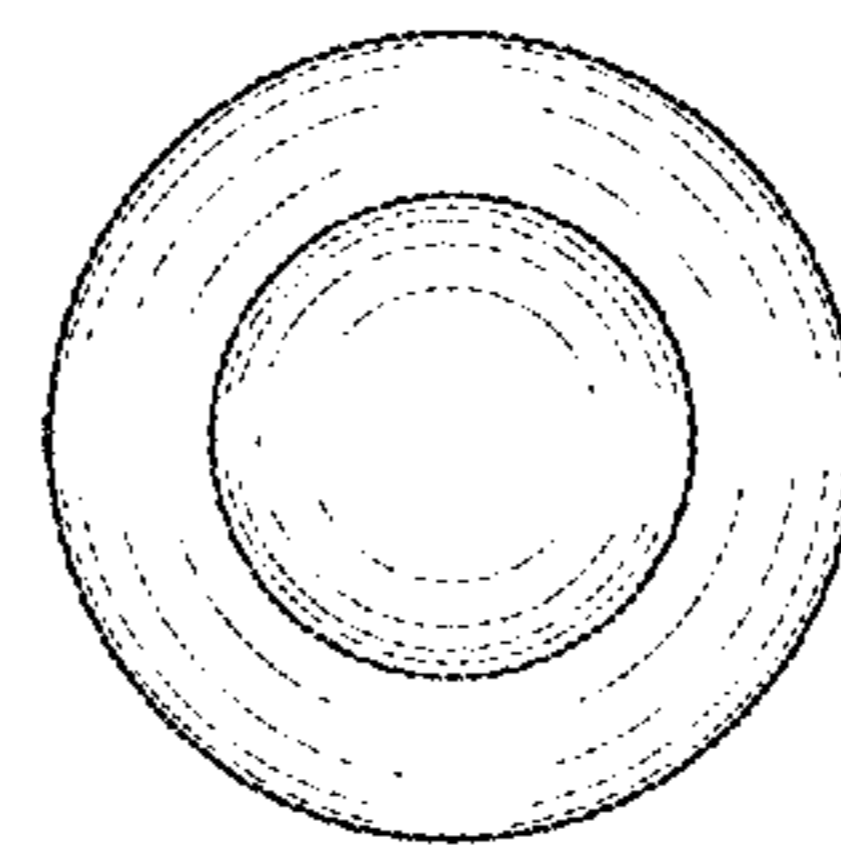


FIG. 4

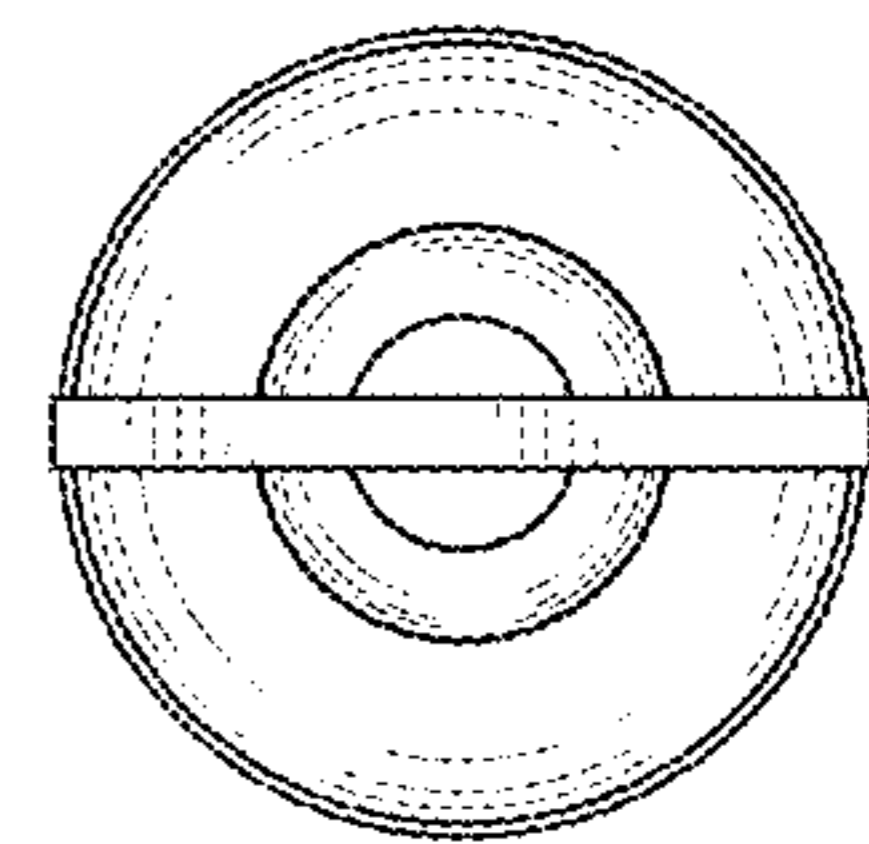


FIG. 5

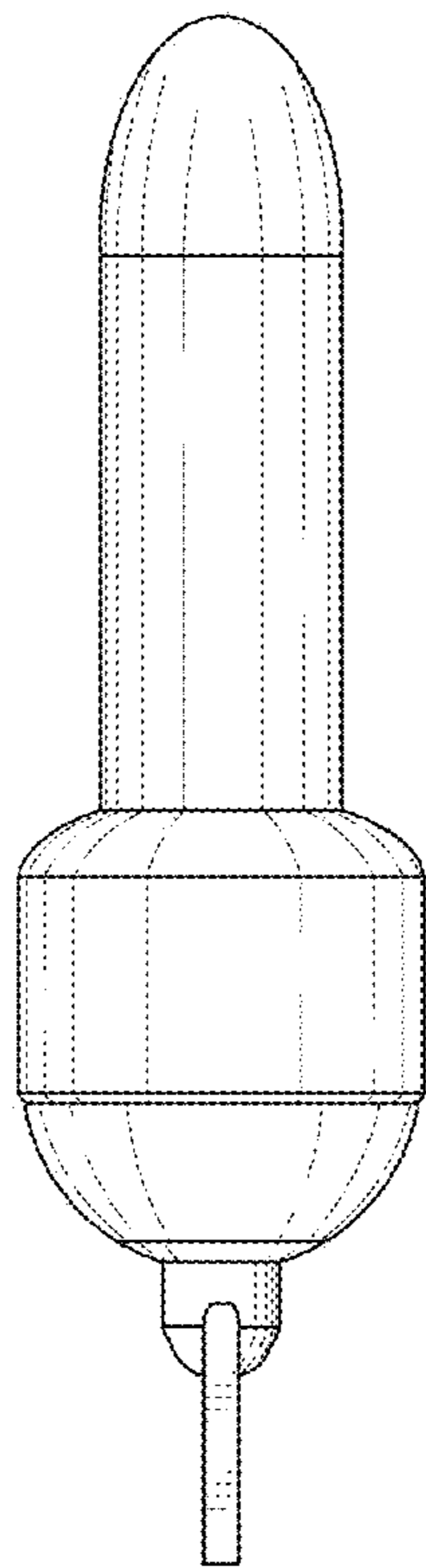


FIG. 6

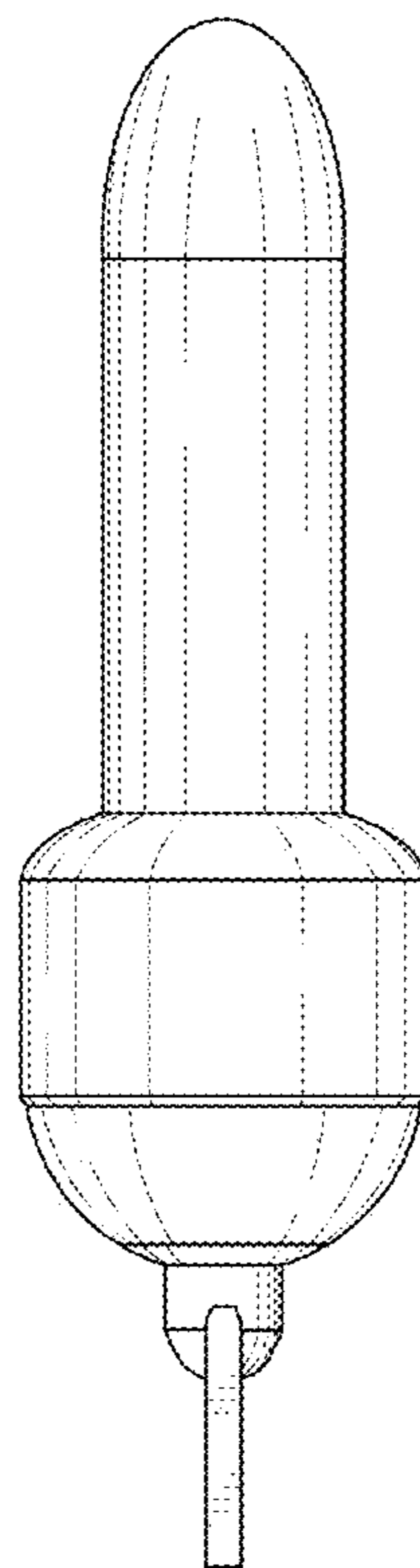


FIG. 7