



US00D939082S

(12) **United States Design Patent**  
**Ortiz et al.**

(10) **Patent No.:** **US D939,082 S**

(45) **Date of Patent:** **\*\* Dec. 21, 2021**

(54) **PEDICLE SCREW REMOVAL TOOL**

(71) Applicant: **Orthopedic Renovation Technologies, LLC**, San Antonio, TX (US)

(72) Inventors: **Rene Ortiz**, Helotes, TX (US);  
**Alejandro Rene Ortiz**, Helotes, TX (US)

(73) Assignee: **ORTHOPEDIC RENOVATION TECHNOLOGIES, LLC**, San Antonio, TX (US)

(\*\*) Term: **15 Years**

(21) Appl. No.: **29/652,389**

(22) Filed: **Jul. 30, 2020**

(51) **LOC (13) Cl.** ..... **24-02**

(52) **U.S. Cl.**  
USPC ..... **D24/133; D24/171**

(58) **Field of Classification Search**  
USPC ..... D24/133, 140, 146, 150, 155, 157, 113,  
D24/127, 171; D8/308, 315, 316, 318,  
D8/319, 320

CPC .... A61F 9/0017; A61F 9/00781; A61F 9/008;  
A61F 9/00709; A61F 9/00736; A61F  
2/14; A61B 17/8875; A61B 17/8877;  
A61B 17/888; A61B 2017/0046; A61B  
2017/00424; B25B 15/02; B25B 15/04;  
B25B 15/06; B25G 1/025; B25G 1/085

See application file for complete search history.

(56) **References Cited**

**U.S. PATENT DOCUMENTS**

D393,318 S \* 4/1998 Wolter ..... D24/133  
D402,757 S \* 12/1998 Davis ..... D24/133  
D418,601 S \* 1/2000 McGugan ..... D19/175  
D445,899 S \* 7/2001 McLeod ..... D24/145  
D483,475 S \* 12/2003 Kirwan ..... D24/108  
D490,152 S \* 5/2004 Myall ..... D24/133

D492,995 S \* 7/2004 Rue ..... D24/113  
D496,730 S \* 9/2004 Morawski ..... A61B 17/3211  
D24/133  
D515,214 S \* 2/2006 Jackson, III ..... D24/176  
D516,895 S \* 3/2006 Minkler ..... D8/300  
D530,680 S \* 10/2006 Fox ..... D13/168  
D531,310 S \* 10/2006 Wolter ..... D24/133  
D551,994 S \* 10/2007 Ahsen-Bore ..... D10/70  
D565,733 S \* 4/2008 Andre ..... D24/133  
D571,010 S \* 6/2008 Cote ..... A61B 17/3211  
D24/147  
D581,530 S \* 11/2008 Thierfelder ..... D24/133  
(Continued)

*Primary Examiner* — T Chase Nelson

*Assistant Examiner* — Kelly L Gross

(74) *Attorney, Agent, or Firm* — Schultz & Associates, P.C.

(57) **CLAIM**

The ornamental design for a pedicle screw removal tool, as shown and described.

**DESCRIPTION**

FIG. 1 is a front perspective view of a pedicle screw removal tool, shown independent of environment for ease of disclosure only;

FIG. 2 is a front elevation view thereof, shown independent of environment for ease of disclosure only;

FIG. 3 is a rear elevation view thereof, shown independent of environment for ease of disclosure only;

FIG. 4 is a right side elevation view thereof, shown independent of environment for ease of disclosure only;

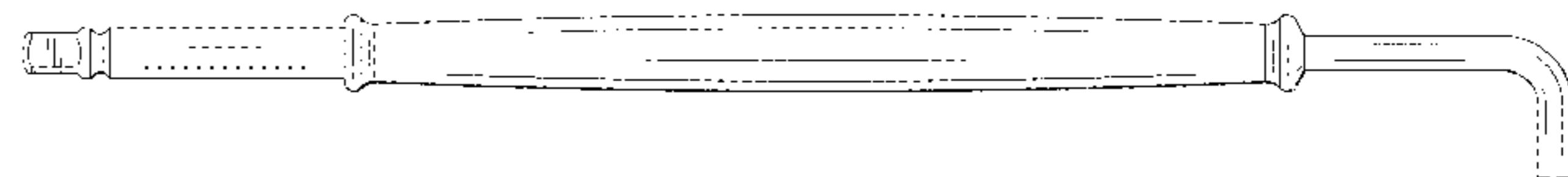
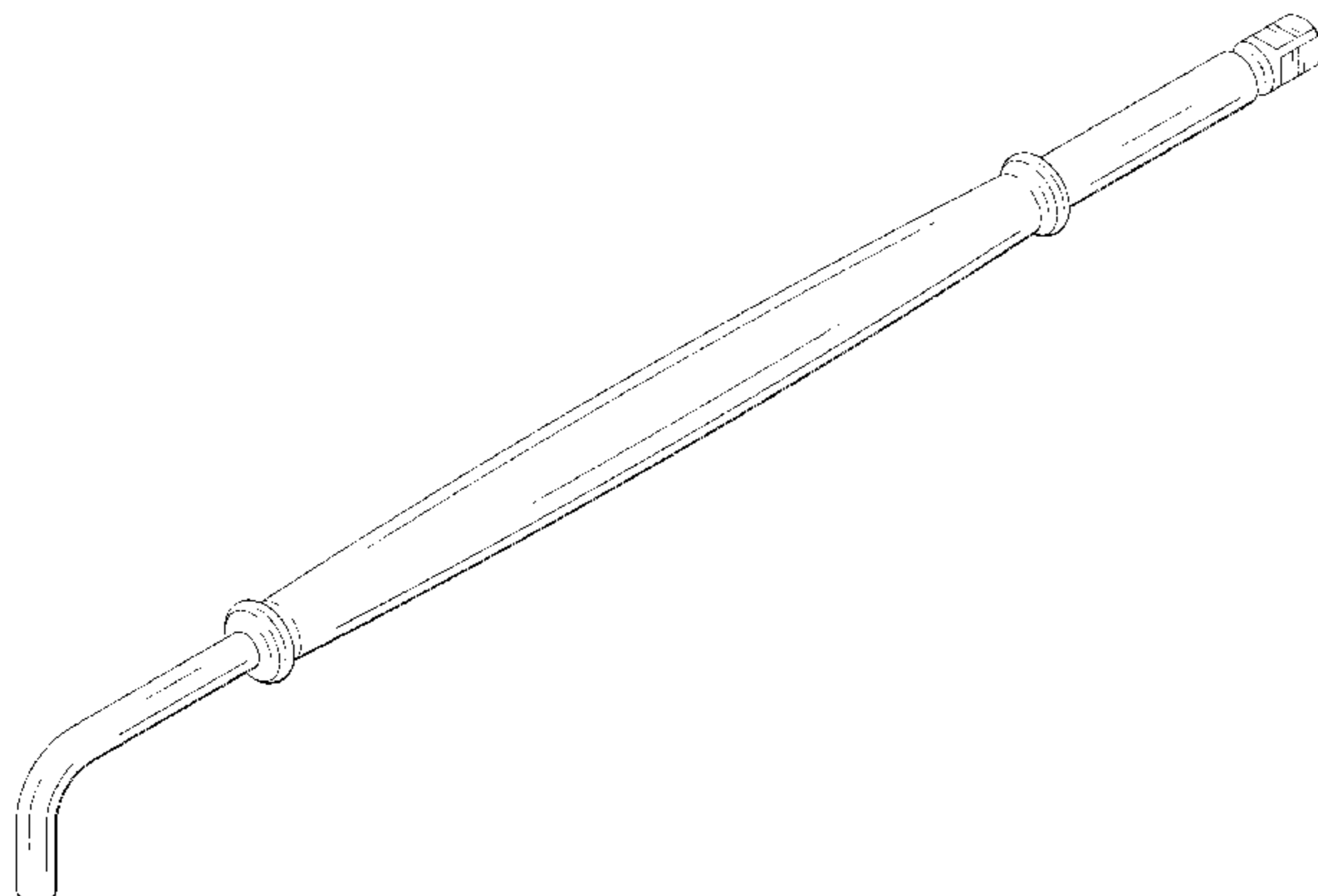
FIG. 5 is a left side elevation view thereof, shown independent of environment for ease of disclosure only;

FIG. 6 is a top plan view thereof, shown independent of environment for ease of disclosure only;

FIG. 7 is a bottom plan view thereof, shown independent of environment for ease of disclosure only; and,

FIG. 8 is a rear perspective view thereof, shown independent of environment for ease of disclosure only.

**1 Claim, 4 Drawing Sheets**



(56)

## References Cited

## U.S. PATENT DOCUMENTS

D590,946 S *	4/2009	Baynham	D24/146	D807,139 S *	1/2018	Riskin	D8/86
D616,095 S *	5/2010	Kim	D24/140	D833,607 S *	11/2018	Aradono	D24/135
D619,243 S *	7/2010	Petersen	D24/108	D834,702 S *	11/2018	Lange	D24/155
D622,843 S *	8/2010	Horton	D24/133	D840,031 S *	2/2019	Evans	D24/110
D627,460 S *	11/2010	Horton	D24/133	D846,738 S *	4/2019	Teufel	D24/140
D629,896 S *	12/2010	Horton	D24/133	D847,988 S *	5/2019	Kalina, Jr.	D24/133
D634,843 S *	3/2011	Kim	D24/140	D851,273 S *	6/2019	Schnitzer	D24/144
D636,873 S *	4/2011	Palmer	D24/146	D853,561 S *	7/2019	Frezal	D24/223
D642,268 S *	7/2011	Qureshi	D24/155			Guo	A61N 1/37205
D655,414 S *	3/2012	Cuschieri	D24/133				D24/138
D669,983 S *	10/2012	Dapri	D24/133	10,349,985 B1 *	7/2019	Kriete	A61B 17/92
D670,381 S *	11/2012	Dapri	D24/133	D866,766 S *	11/2019	Cahill	B25B 15/02
D679,014 S *	3/2013	Jayaraj	D24/144				D24/171
D685,092 S *	6/2013	Morawski	A61B 17/3211	D870,897 S *	12/2019	Katzberg	D24/187
			D24/147	10,524,805 B2 *	1/2020	Zilberman	A61B 17/1631
D691,274 S *	10/2013	Buckels	D24/167	D877,328 S *	3/2020	Alsiddiky	D24/135
D693,470 S *	11/2013	Fagan	D24/171	D879,960 S *	3/2020	Melnikoff	D24/152
D694,891 S *	12/2013	Dietrich	D24/172	D879,965 S *	3/2020	Su	D24/171
D703,707 S *	4/2014	Foster	D15/123	D882,084 S *	4/2020	Qun	D24/146
D704,836 S *	5/2014	Shiao	D24/141	D882,788 S *	4/2020	Qun	D24/146
D708,324 S *	7/2014	Schwarz	D24/133	D882,790 S *	4/2020	Qun	D24/146
D708,754 S *	7/2014	Harangvolgyi	D24/211	D884,889 S *	5/2020	Cahill	D24/133
D719,651 S *	12/2014	Hoffmann	D24/133	10,709,231 B2 *	7/2020	Macomber	A46B 13/08
D724,725 S *	3/2015	Chang	D24/133	D895,107 S *	9/2020	Zhang	D24/121
D735,327 S *	7/2015	Van Wyk	D24/133	D896,368 S *	9/2020	Zhang	D24/121
D736,917 S *	8/2015	Katsura	D24/133	D897,815 S *	10/2020	Hsieh	D8/107
D736,923 S *	8/2015	Snow	D24/146	D898,914 S *	10/2020	Niver	D24/147
D737,440 S *	8/2015	Shabaz	D24/146	D901,683 S *	11/2020	Kalina, Jr.	D24/133
D740,422 S *	10/2015	Herfort	D24/147	D903,100 S *	11/2020	Stats	D24/112
D741,483 S *	10/2015	Solingen	D24/146	10,820,936 B2 *	11/2020	Ortiz	A61B 17/7076
D747,802 S *	1/2016	Freigang	D24/133	D910,836 S *	2/2021	Sandberg	D24/112
D748,254 S *	1/2016	Freigang	D24/133	D911,521 S *	2/2021	Swift	D24/135
D755,368 S *	5/2016	Efinger	D24/112	D918,382 S *	5/2021	Naughton	D24/112
D755,383 S *	5/2016	Pfister	D24/144	2002/0169453 A1 *	11/2002	Berger	A61B 17/60
D758,565 S *	6/2016	Efinger	D24/112				606/295
9,370,384 B2 *	6/2016	Mitchell	A61B 17/7083	2005/0228400 A1 *	10/2005	Chao	A61B 17/7082
9,409,286 B2 *	8/2016	Hsu	B25B 15/008				606/104
D765,841 S *	9/2016	Schuerg	D24/144	2008/0082103 A1 *	4/2008	Hutton	A61B 17/708
D765,842 S *	9/2016	Schuerg	D24/144				606/272
D766,432 S *	9/2016	Schuerg	D24/144	2008/0221583 A1 *	9/2008	Sharifi-Mehr	A61B 17/7037
D767,760 S *	9/2016	Suwito	D24/141				606/104
D770,044 S *	10/2016	Fiksen	D24/144	2010/0087823 A1 *	4/2010	Kondrashov	A61B 17/025
D770,618 S *	11/2016	Fiksen	D24/144				606/79
D772,412 S *	11/2016	Efinger	D24/147	2012/0046665 A1 *	2/2012	Kim	A61B 17/7082
D776,259 S *	1/2017	Eldredge	D24/112				606/104
D776,260 S *	1/2017	Eldredge	D24/112	2012/0123516 A1 *	5/2012	Gerdts	A61F 2/966
D779,053 S *	2/2017	Kobida	D24/108				623/1.12
D785,796 S *	5/2017	Efinger	D24/147	2015/0335452 A1 *	11/2015	Rao	A61F 2/95
D786,429 S *	5/2017	Cummins	D24/141				623/23.66
D787,675 S *	5/2017	Salehi	D24/147	2017/0027612 A1 *	2/2017	Viar	A61B 17/708
D791,318 S *	7/2017	Jutilla	D24/141	2018/0125559 A1 *	5/2018	Ortiz	A61B 17/8875
D794,192 S *	8/2017	Schuerg	D24/144	2018/0146990 A1 *	5/2018	Manzanares	A61B 17/7092
D794,193 S *	8/2017	Schuerg	D24/144	2019/0083147 A1 *	3/2019	Hackathorn, II	A61B 17/8875
D794,194 S *	8/2017	Schuerg	D24/144	2019/0142471 A1 *	5/2019	Lindner	A61B 17/7086
D795,424 S *	8/2017	Sloss	D24/138				606/266
D799,040 S *	10/2017	Melnikoff	D24/152	2020/0093522 A1 *	3/2020	Zink	A61B 17/7091
D799,043 S *	10/2017	Storch	D24/156	2021/0052403 A1 *	2/2021	Chu	A61F 2/88
9,814,497 B1 *	11/2017	Al-Habib	A61B 17/1757	2021/0068882 A1 *	3/2021	Ortiz	A61B 17/92

\* cited by examiner



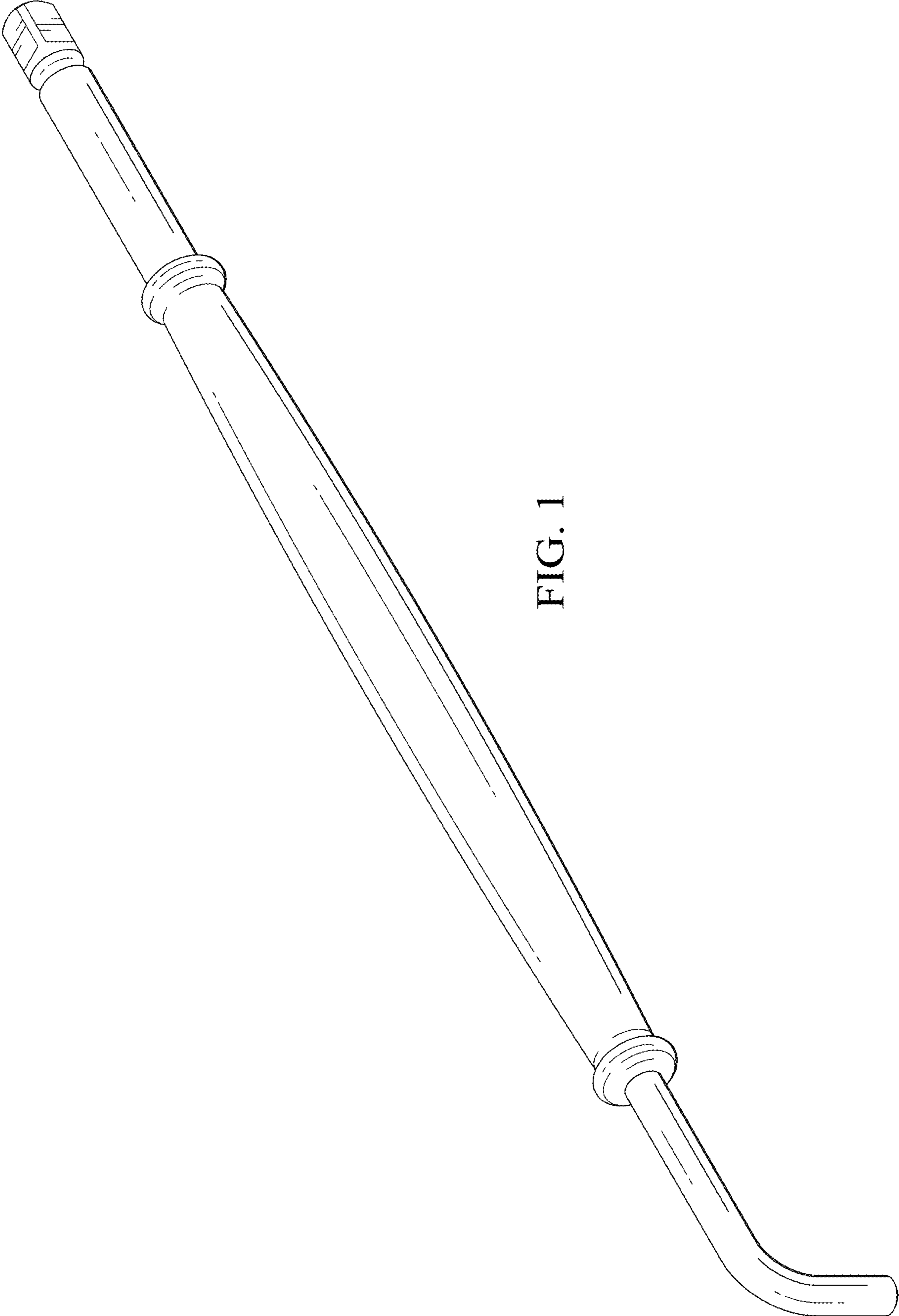


FIG. 1

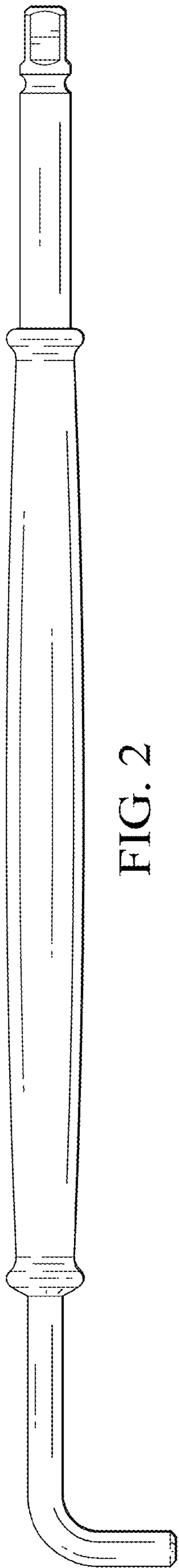


FIG. 2

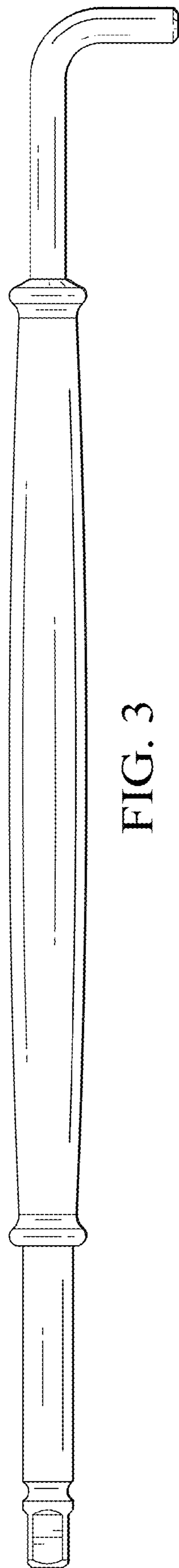


FIG. 3

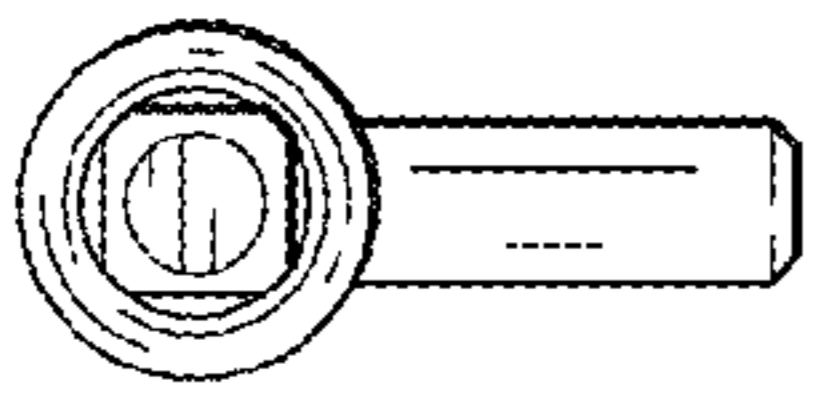


FIG. 4

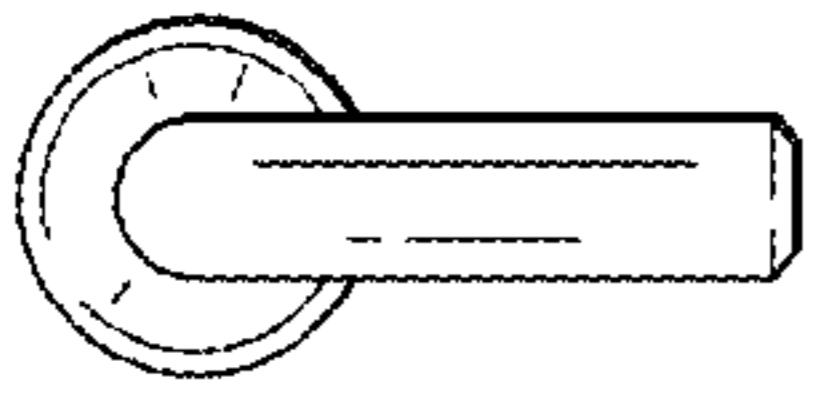


FIG. 5

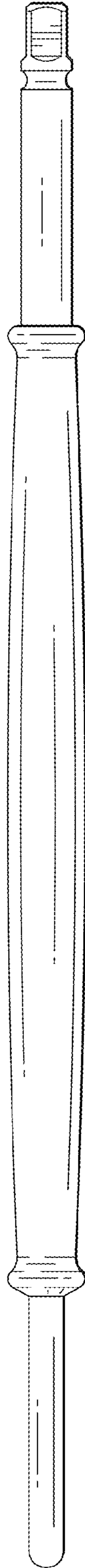


FIG. 6

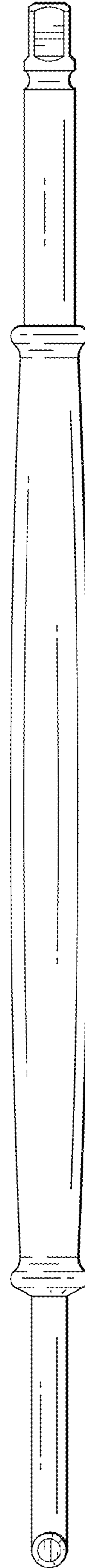


FIG. 7

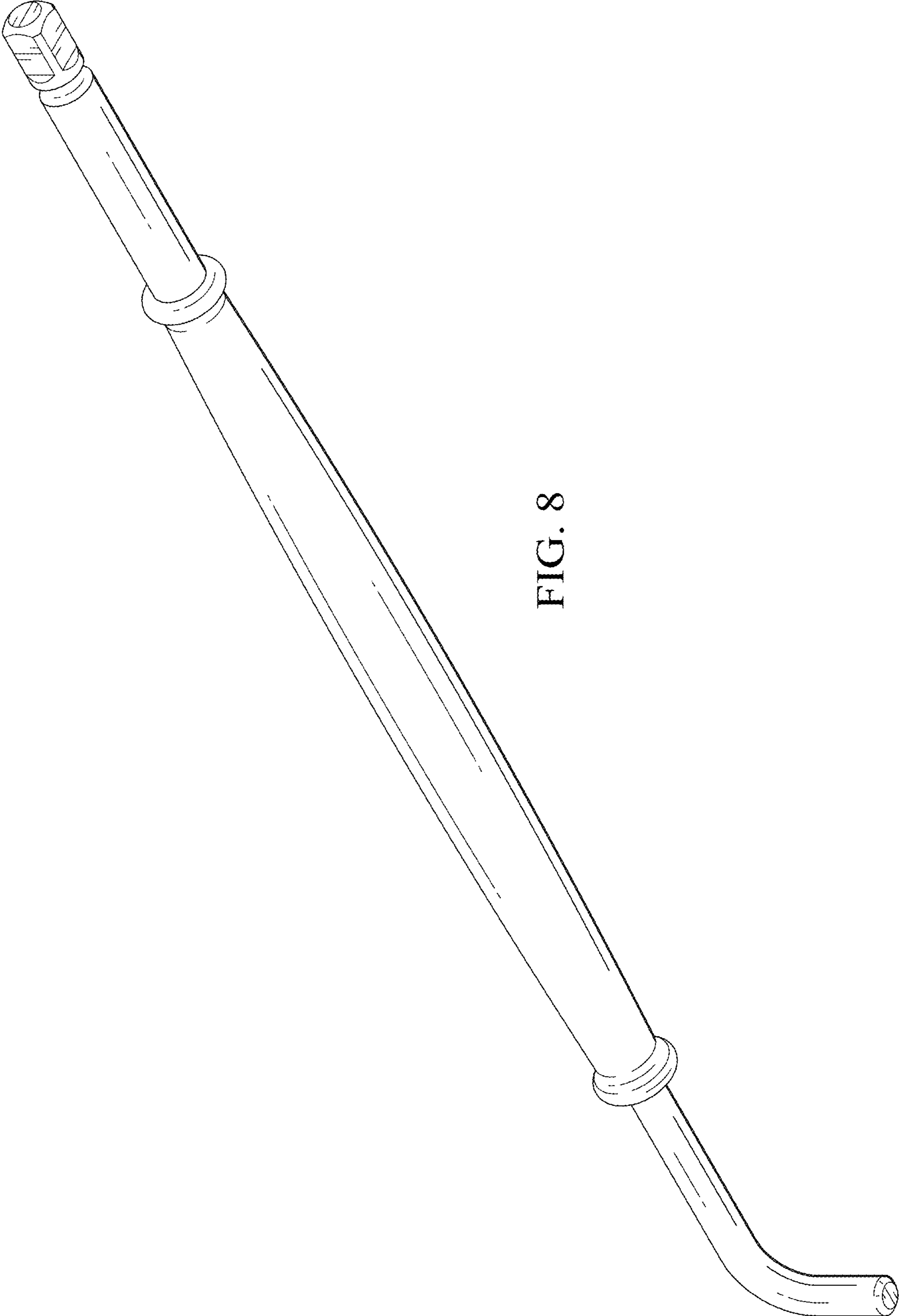


FIG. 8