



US00D939080S

(12) **United States Design Patent** (10) **Patent No.:** **US D939,080 S**
Tanaka et al. (45) **Date of Patent:** **** Dec. 21, 2021**

(54) **WATER SUPPLYING MACHINE FOR ENDOSCOPE**

D380,479 S * 7/1997 Cantley D15/7
D380,550 S * 7/1997 Dennewill D24/111
D383,142 S * 9/1997 Juhlin D15/9

(Continued)

(71) Applicant: **FUJIFILM Corporation**, Tokyo (JP)

(72) Inventors: **Kunihiko Tanaka**, Kanagawa (JP); **Jun Sato**, Kanagawa (JP)

(73) Assignee: **FUJIFILM Corporation**, Tokyo (JP)

(**) Term: **15 Years**

(21) Appl. No.: **29/729,208**

(22) Filed: **Mar. 25, 2020**

(30) **Foreign Application Priority Data**

Sep. 27, 2019 (JP) 2019-021716

(51) **LOC (13) Cl.** **24-02**

(52) **U.S. Cl.**
USPC **D24/111; D24/138**

(58) **Field of Classification Search**

USPC D24/119, 133, 137, 138, 151, 146, 147,
D24/152, 108, 111, 112, 113, 117, 118,
D24/127, 130, 135, 141, 143, 144, 148,
D24/153, 154, 170, 176, 179, 216, 222,
D24/107, 169; D14/203.1; D15/7-9
CPC G02B 23/2476; G02B 23/2484;
G02B 23/16; A61M 5/145; A61M 1/00;
F04B 43/09; F04B 43/10
See application file for complete search history.

(56) **References Cited**

U.S. PATENT DOCUMENTS

D294,358 S * 2/1988 Valentin D15/7
D327,075 S * 6/1992 Tiedemann D15/7
D330,595 S * 10/1992 Sato D24/169
D346,025 S * 4/1994 Chou D24/144
D361,616 S * 8/1995 Tsuji D24/111
D369,864 S * 5/1996 Petersen D24/169
D374,931 S * 10/1996 Cesaroni D24/111

OTHER PUBLICATIONS

Endoscope Flushing Pump,[site visited Sep. 24, 2021]. Available from Internet. URL: <https://www.somatechnology.com/Medical-Products/Endoscopy/Endoscopic-Flushing-Pumps/Olympus-OF2-2.aspx> (Year: 2021).*

Primary Examiner — T Chase Nelson

Assistant Examiner — Kelly L Gross

(74) *Attorney, Agent, or Firm* — JCIPRNET

(57) **CLAIM**

The ornamental design for a water supplying machine for endoscope, as shown and described.

DESCRIPTION

FIG. 1 is a perspective view from upper and right side of a water supplying machine for endoscope, showing our new design;

FIG. 2 is a front view thereof;

FIG. 3 is a rear view thereof;

FIG. 4 is a top plan view thereof;

FIG. 5 is a bottom plan view thereof;

FIG. 6 is a right side view thereof;

FIG. 7 is a left side view thereof;

FIG. 8 is a right side view of a water tank of the water supplying machine for endoscope;

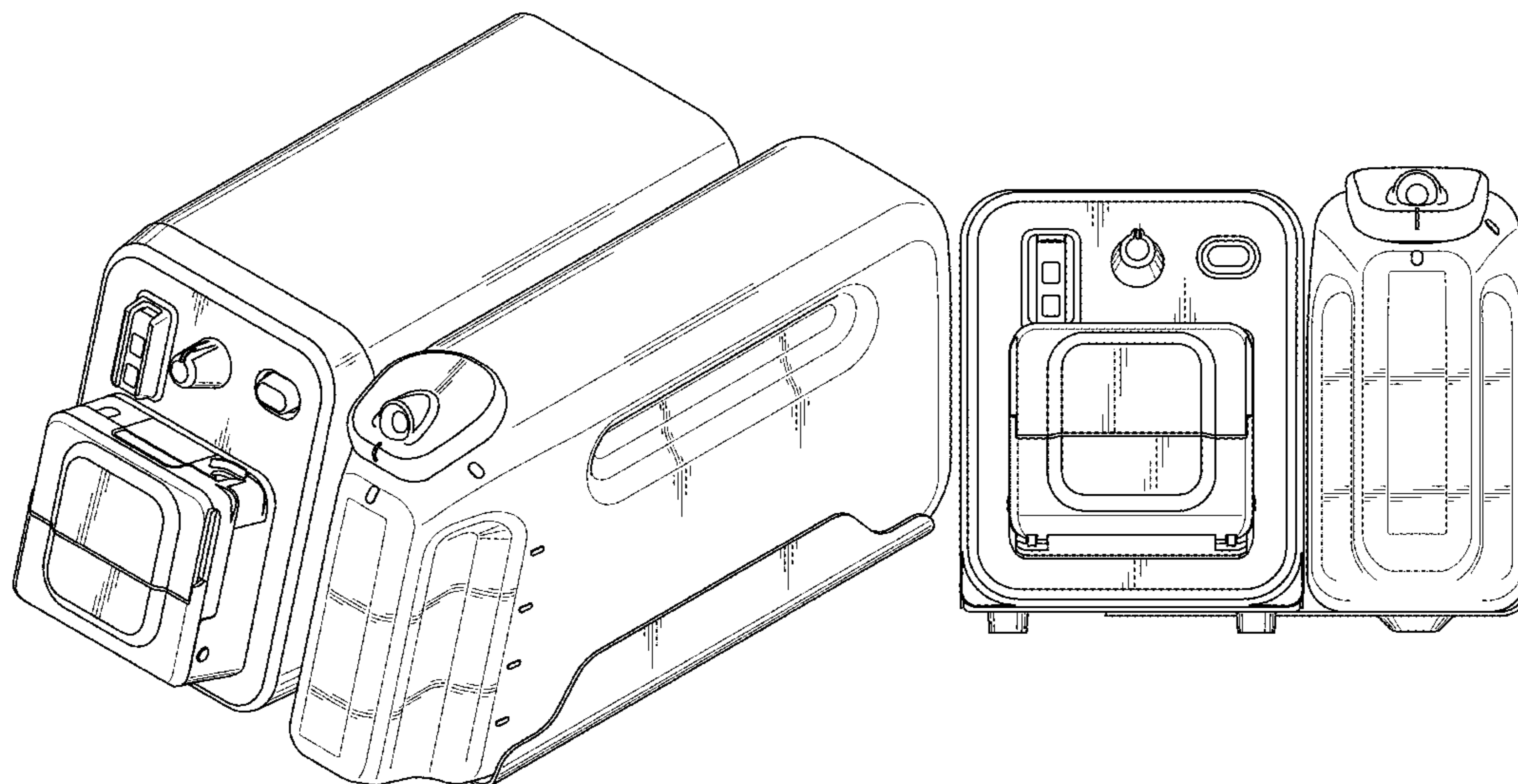
FIG. 9 is a cross-sectional view of 9-9 line in FIG. 8 of the water tank;

FIG. 10 is cross-sectional view of 10-10 line in FIG. 8 thereof;

FIG. 11 is a cross-sectional view of 11-11 line in FIG. 8 thereof; and,

FIG. 12 is a cross-sectional view of 12-12 line in FIG. 8 thereof.

1 Claim, 12 Drawing Sheets



(56)

References Cited

U.S. PATENT DOCUMENTS

D765,258 S * 8/2016 Marzynski D24/186
D765,832 S * 9/2016 Hochman D24/111
D767,756 S * 9/2016 Sabin D24/111
D768,127 S * 10/2016 Desch D14/341
D768,290 S * 10/2016 Hyde D24/111
D768,847 S * 10/2016 Hyde D24/111
D773,228 S * 12/2016 Backett D7/323
D774,182 S * 12/2016 Davidian D24/121
D774,206 S * 12/2016 Boo D24/232
D777,108 S * 1/2017 Mittermair D13/137.4
D778,004 S * 1/2017 Yao D32/1
D778,005 S * 1/2017 Yao D32/1
D781,509 S * 3/2017 Yao D32/1
D782,690 S * 3/2017 Kurihara D24/216
D783,165 S * 4/2017 Ohno D24/138
D789,516 S * 6/2017 Gill D24/108
D789,932 S * 6/2017 Chu D14/388
D792,963 S * 7/2017 Gill D24/108
D794,211 S * 8/2017 Ang D24/232
D796,049 S * 8/2017 Nishikawa D24/186
D796,050 S * 8/2017 Nishikawa D24/186
D796,749 S * 9/2017 Kessler D32/1
D797,275 S * 9/2017 Evans D24/108
D797,918 S * 9/2017 Genstler D24/107
RE46,577 E * 10/2017 Collins D24/169
RE46,578 E * 10/2017 Collins D24/169
RE46,579 E * 10/2017 Gill D24/169
RE46,580 E * 10/2017 Johnson D24/169
D800,320 S * 10/2017 Nishikawa D24/186
D801,519 S * 10/2017 Sabin D24/108
RE46,597 E * 11/2017 Collins D24/169
D803,386 S * 11/2017 Sabin D24/108
D803,387 S * 11/2017 Bodwell D24/108
D804,017 S * 11/2017 Sabin D24/111
D805,183 S * 12/2017 Sabin D24/108
D808,527 S * 1/2018 Wing D24/158
D809,143 S * 1/2018 Long D24/164
D810,314 S * 2/2018 Hoelbl D24/232
D812,218 S * 3/2018 Lacy D24/111
D813,297 S * 3/2018 Nishikawa D18/50
D813,299 S * 3/2018 Yamamoto D18/56
D814,021 S * 3/2018 Sabin D24/111
D815,373 S * 4/2018 Yao D32/1
D817,479 S * 5/2018 Sabin D24/111
D817,480 S * 5/2018 Sabin D24/111
D818,146 S * 5/2018 Tanaka D24/216
D819,193 S * 5/2018 Bertinetti D24/110
D819,225 S * 5/2018 Mead D24/233
D820,120 S * 6/2018 Sekine D10/46
D820,995 S * 6/2018 LiCalzi D24/216
D822,847 S * 7/2018 Boo D24/232
D823,456 S * 7/2018 Lacy D24/111
D825,776 S * 8/2018 Quick D24/232
D825,777 S * 8/2018 Quick D24/232
D826,401 S * 8/2018 Epple D24/130

D826,941 S * 8/2018 Zhou D14/420
D828,547 S * 9/2018 Lacy D24/111
D830,546 S * 10/2018 Lacy D24/127
D831,790 S * 10/2018 Kasper D23/211
D832,533 S * 10/2018 Yao D32/1
D838,746 S * 1/2019 Gan D15/7
D839,342 S * 1/2019 Higuchi D18/50
D841,085 S * 2/2019 Higuchi D18/50
D844,669 S * 4/2019 Sinico D15/7
D844,671 S * 4/2019 Walmsley D15/7
D844,672 S * 4/2019 Walmsley D15/7
D847,865 S * 5/2019 Janardhan D15/7
D847,866 S * 5/2019 Janardhan D15/7
D850,490 S * 6/2019 Janardhan D15/7
D854,703 S * 7/2019 Juhlin D24/216
D855,198 S * 7/2019 LiCalzi D24/216
D864,415 S * 10/2019 Norton D24/232
D865,218 S * 10/2019 Mathers D24/232
D868,973 S * 12/2019 Lin D24/164
D870,311 S * 12/2019 Kang D24/216
D870,911 S * 12/2019 Kang D24/216
D871,572 S * 12/2019 Lacy D24/127
D875,925 S * 2/2020 Archat D24/127
D877,062 S * 3/2020 Yin D13/102
D877,795 S * 3/2020 Tanaka D16/235
D877,889 S * 3/2020 Dekruif D24/111
D878,423 S * 3/2020 Andersson D15/7
D879,948 S * 3/2020 Bunoz D24/111
D880,654 S * 4/2020 Sheng D23/209
D883,469 S * 5/2020 Inkrote D24/108
D883,515 S * 5/2020 Jenoski D24/232
D884,156 S * 5/2020 Haug D24/111
D884,187 S * 5/2020 Robert D24/164
D884,190 S * 5/2020 Canady D24/170
D887,545 S * 6/2020 Heintze D24/107
D889,636 S * 7/2020 Senff D24/111
D893,731 S * 8/2020 Young D24/170
D894,373 S * 8/2020 Haug D24/111
D900,416 S * 10/2020 Yao D32/1
D900,743 S * 11/2020 Tsukamoto D13/114
D903,894 S * 12/2020 Zhou D24/216
D904,982 S * 12/2020 Tomczak D13/113
D907,233 S * 1/2021 Wu D24/217
D914,196 S * 3/2021 Gray D24/111
D914,905 S * 3/2021 Wade D24/216
D916,287 S * 4/2021 Marshall D24/146
D916,934 S * 4/2021 Sun D15/7
D917,039 S * 4/2021 Chen D24/108
D917,419 S * 4/2021 Pavelic D14/204
D917,571 S * 4/2021 Chen D15/7
D921,192 S * 6/2021 Li D24/127
D923,177 S * 6/2021 Wu D24/155
D925,620 S * 7/2021 Schmitt D15/122
D926,314 S * 7/2021 Hayamizu D24/138
D926,995 S * 8/2021 He D24/185
D930,152 S * 9/2021 Penfold D24/111

* cited by examiner

FIG. 1

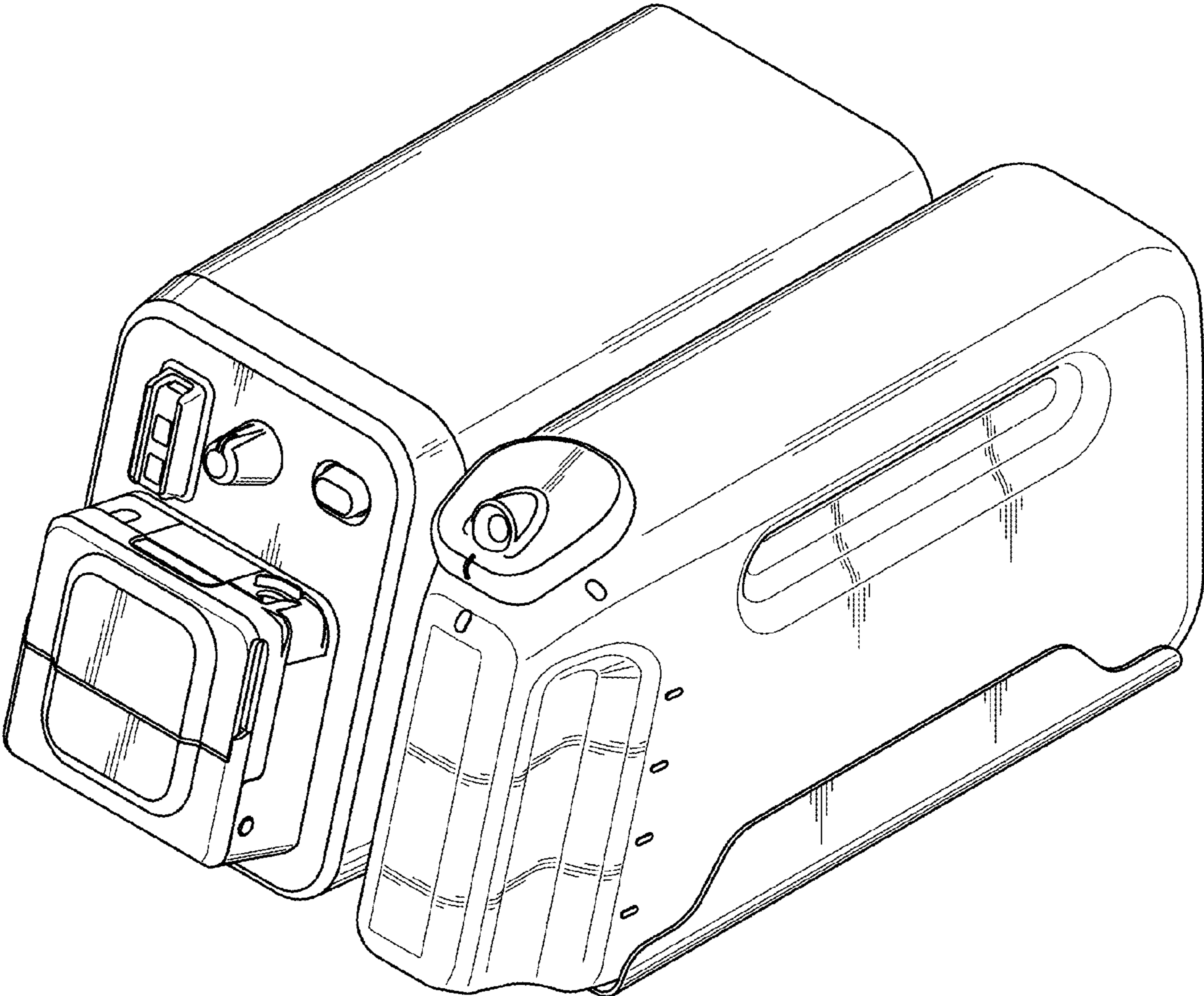


FIG. 2

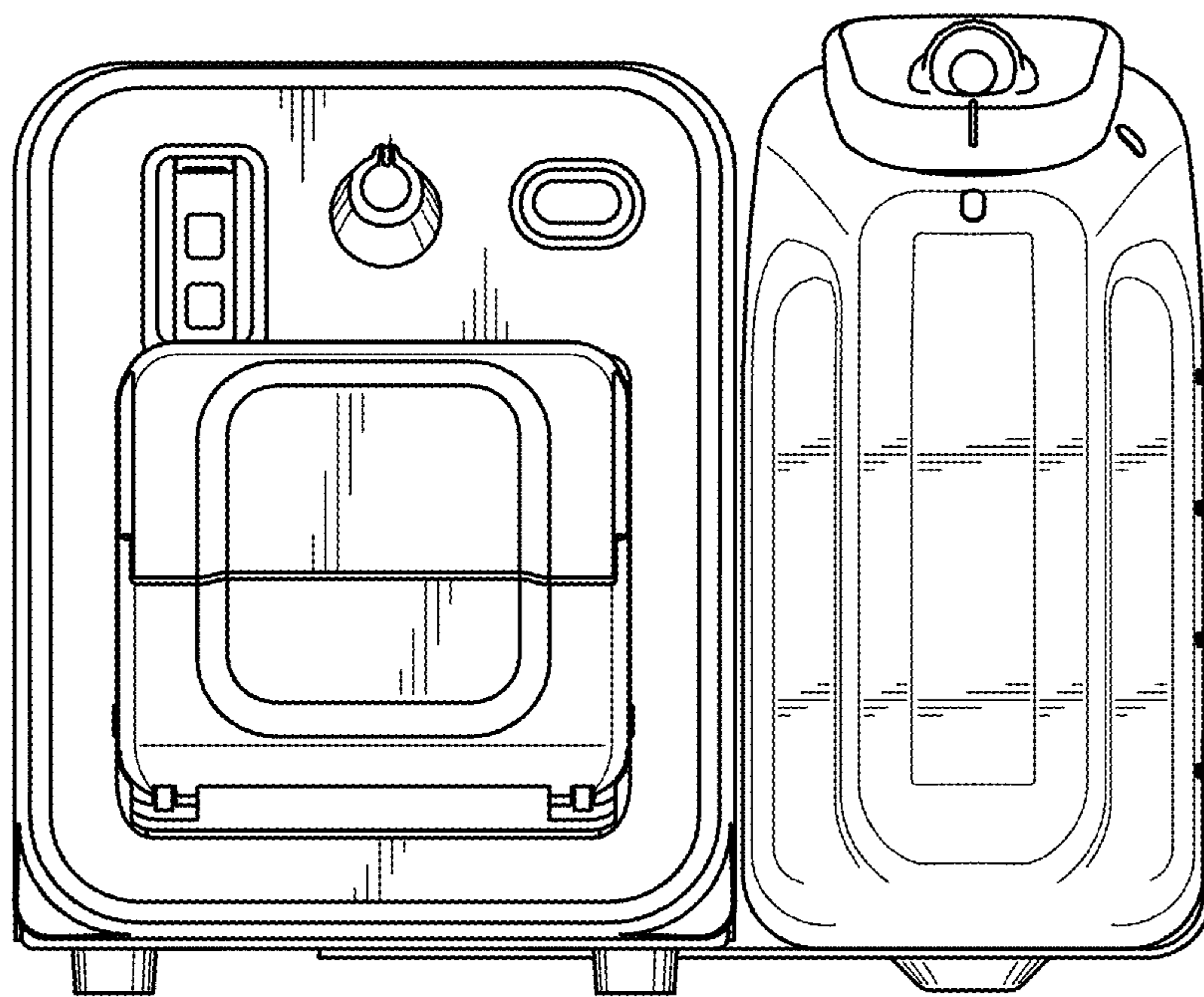


FIG. 3

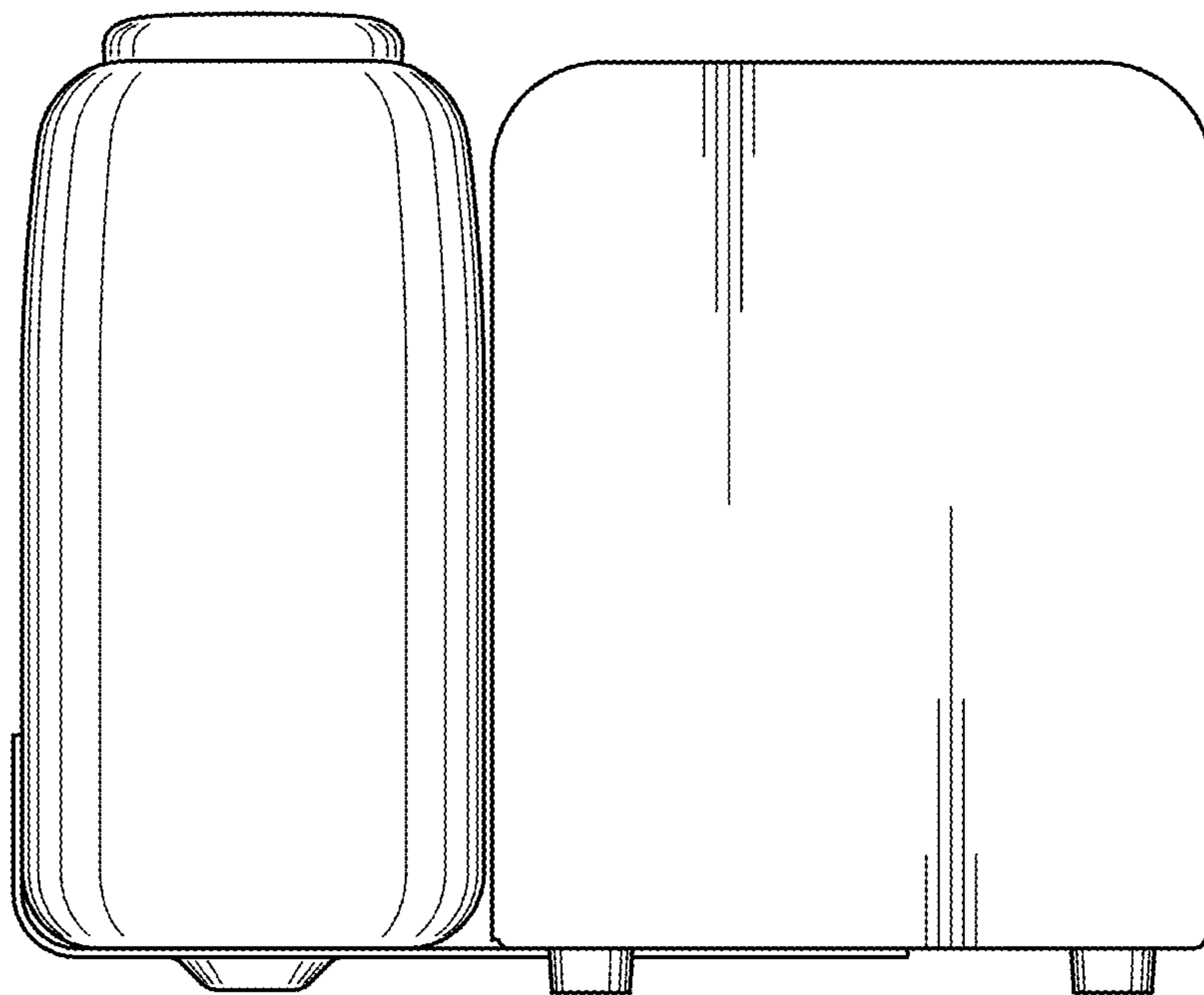


FIG. 4

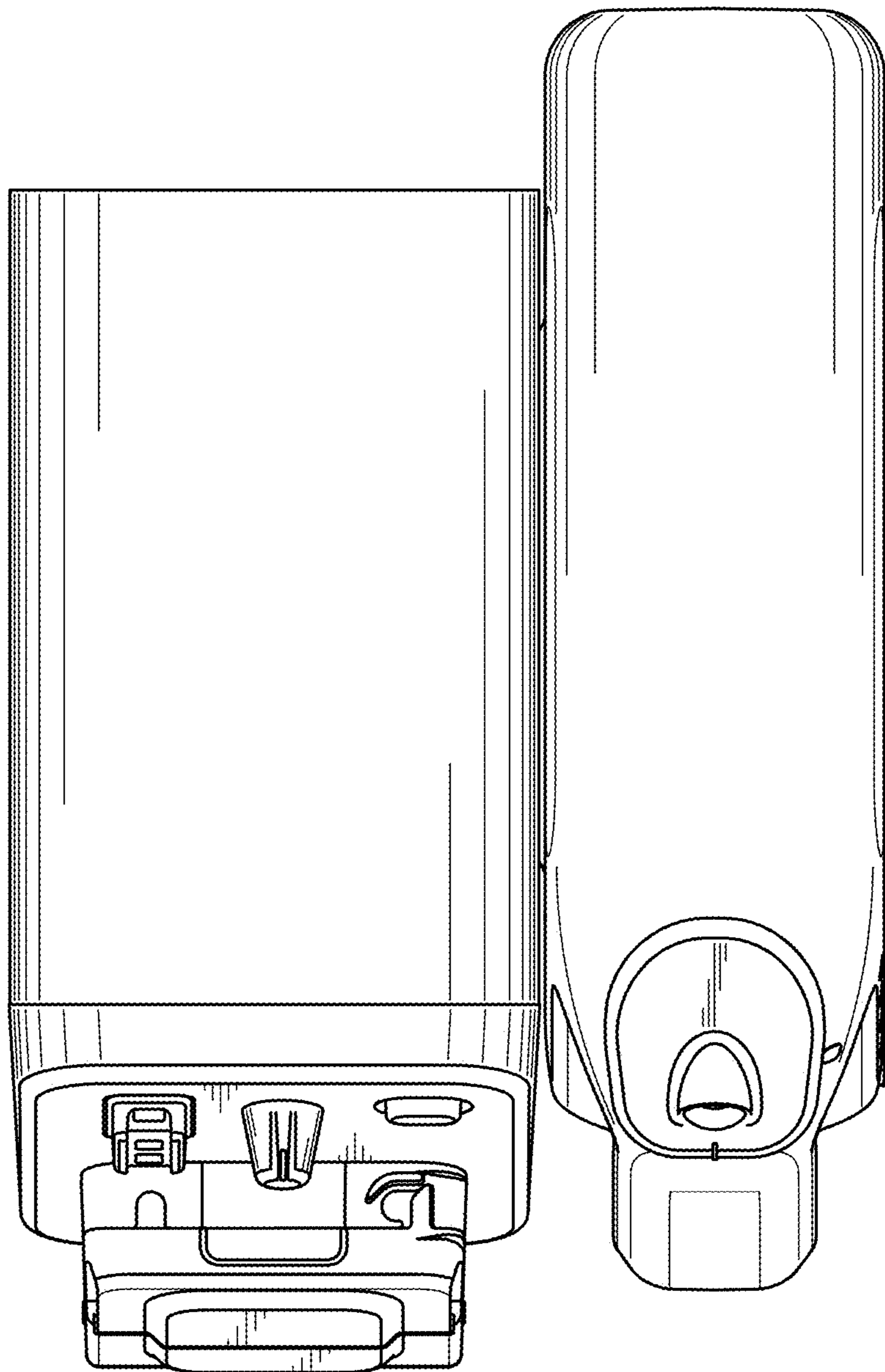


FIG. 5

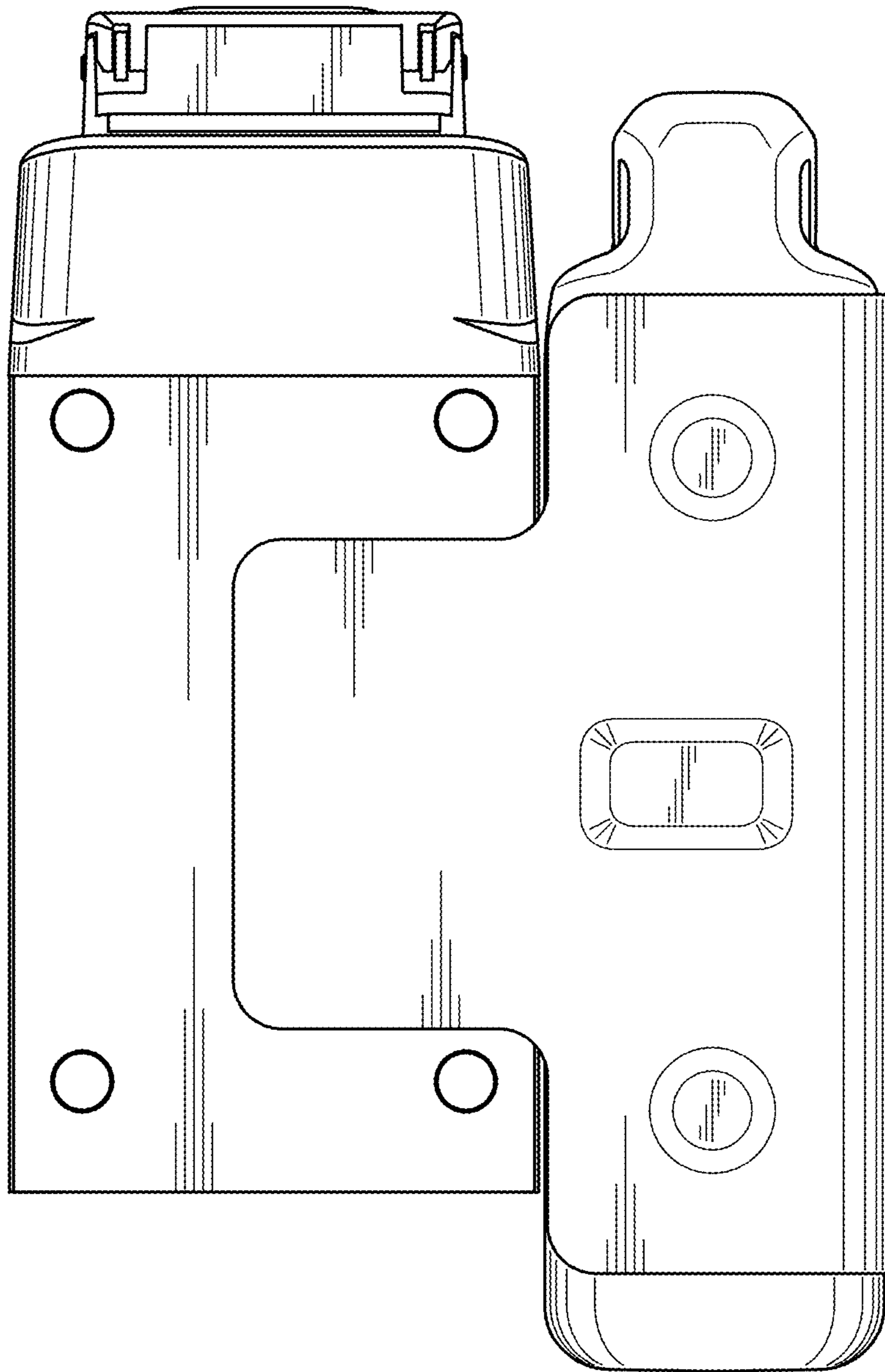


FIG. 6

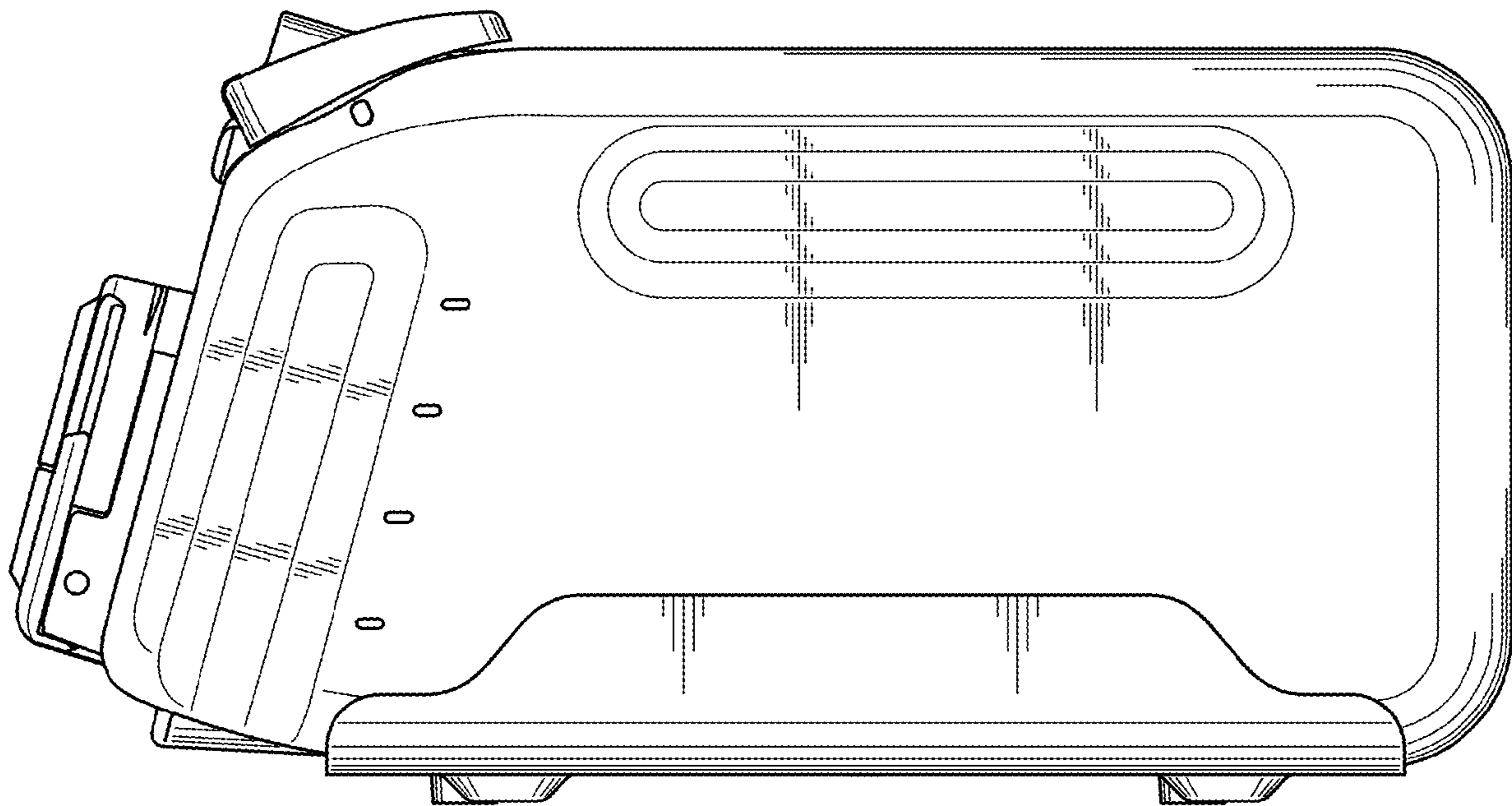


FIG. 7

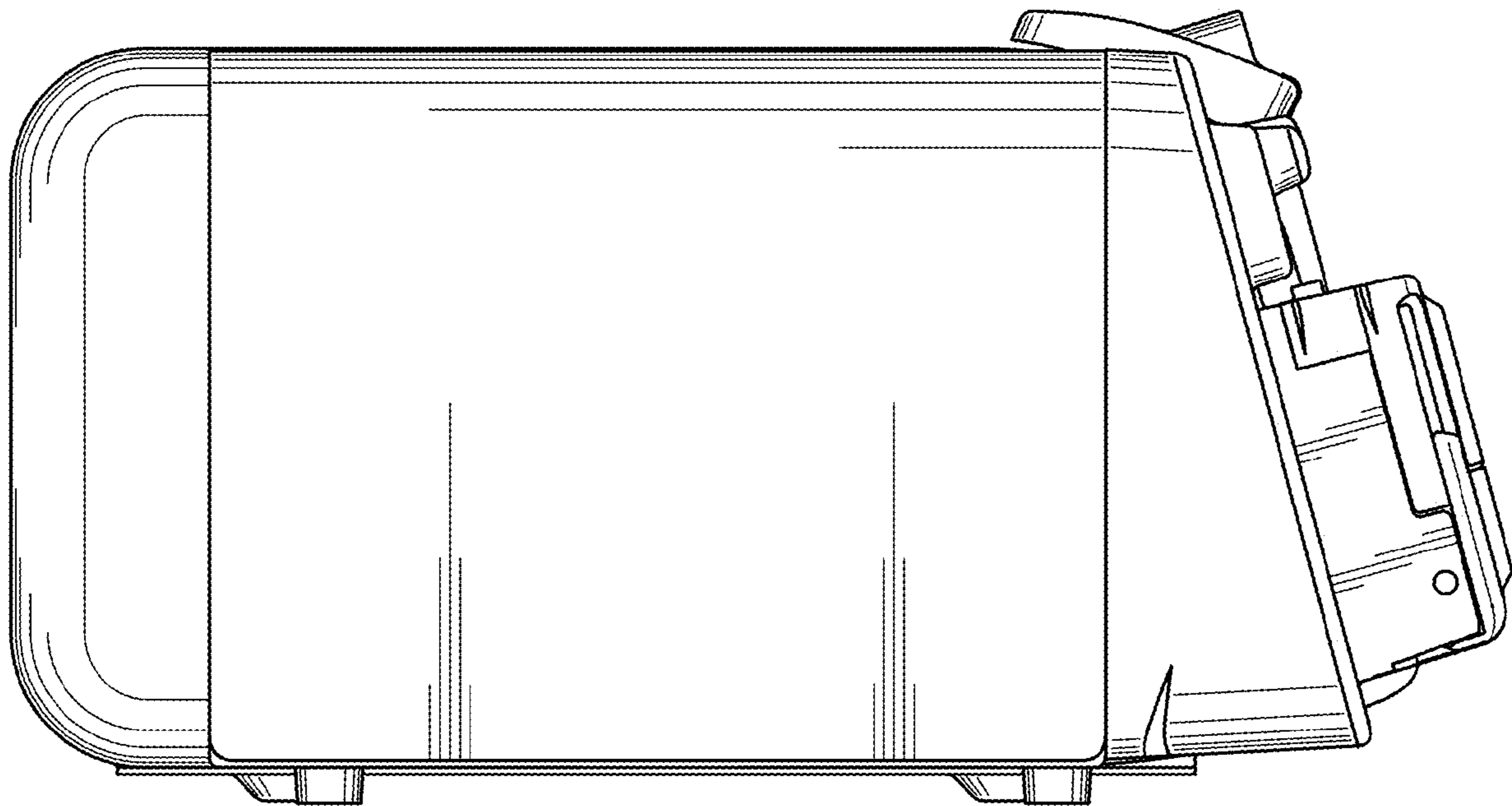


FIG. 8

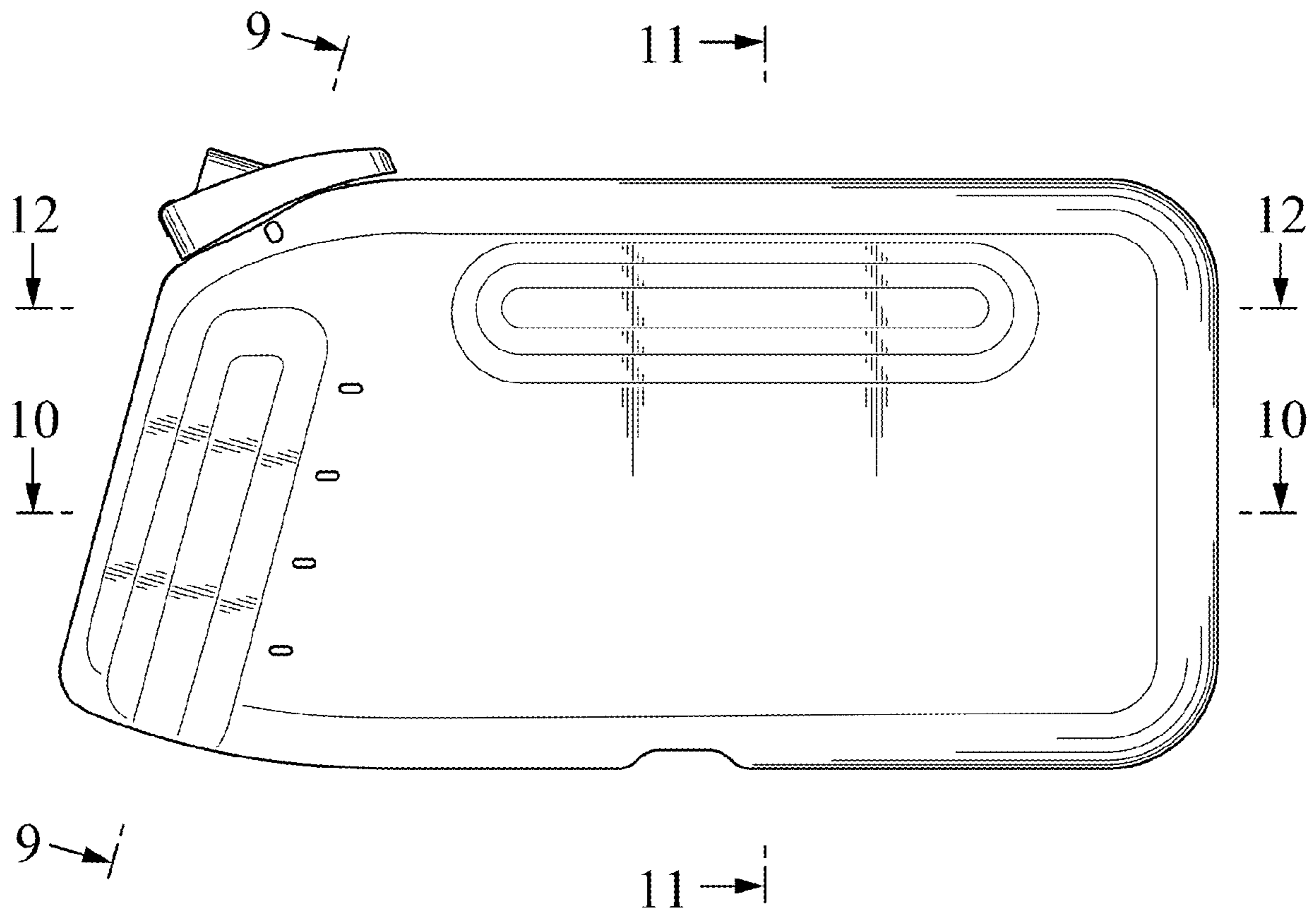


FIG. 9

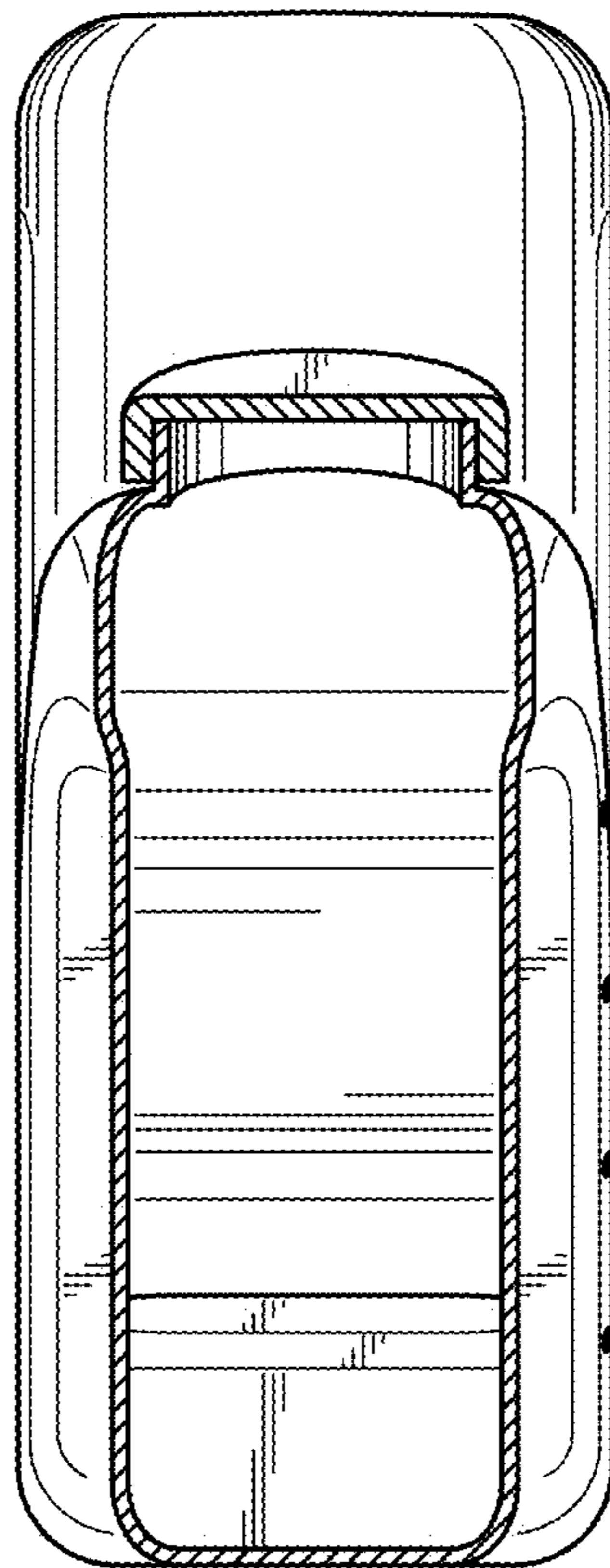


FIG. 10

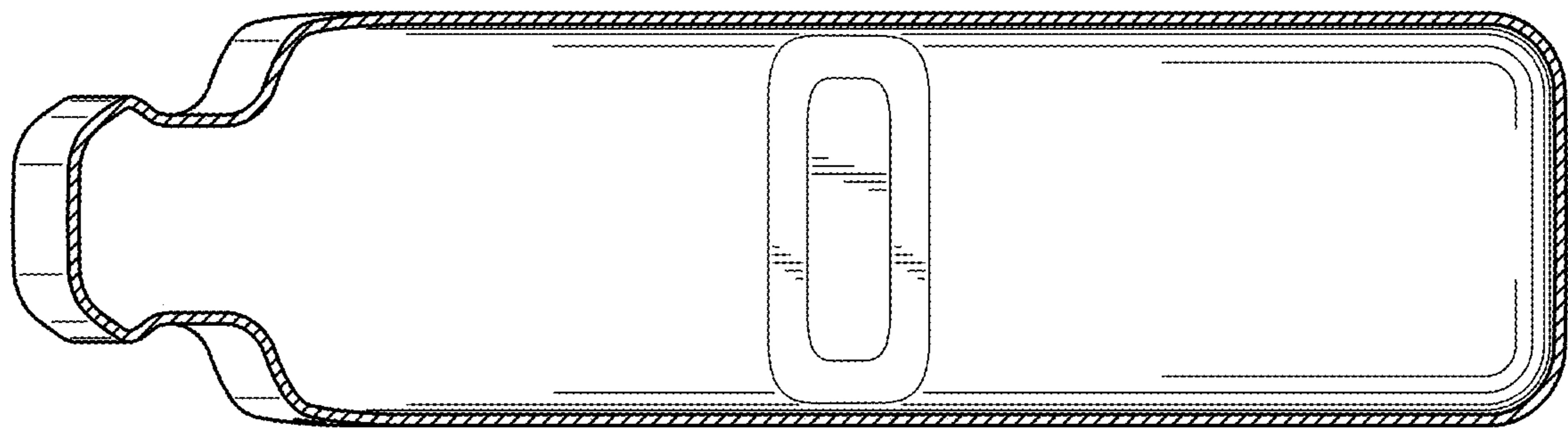


FIG. 11

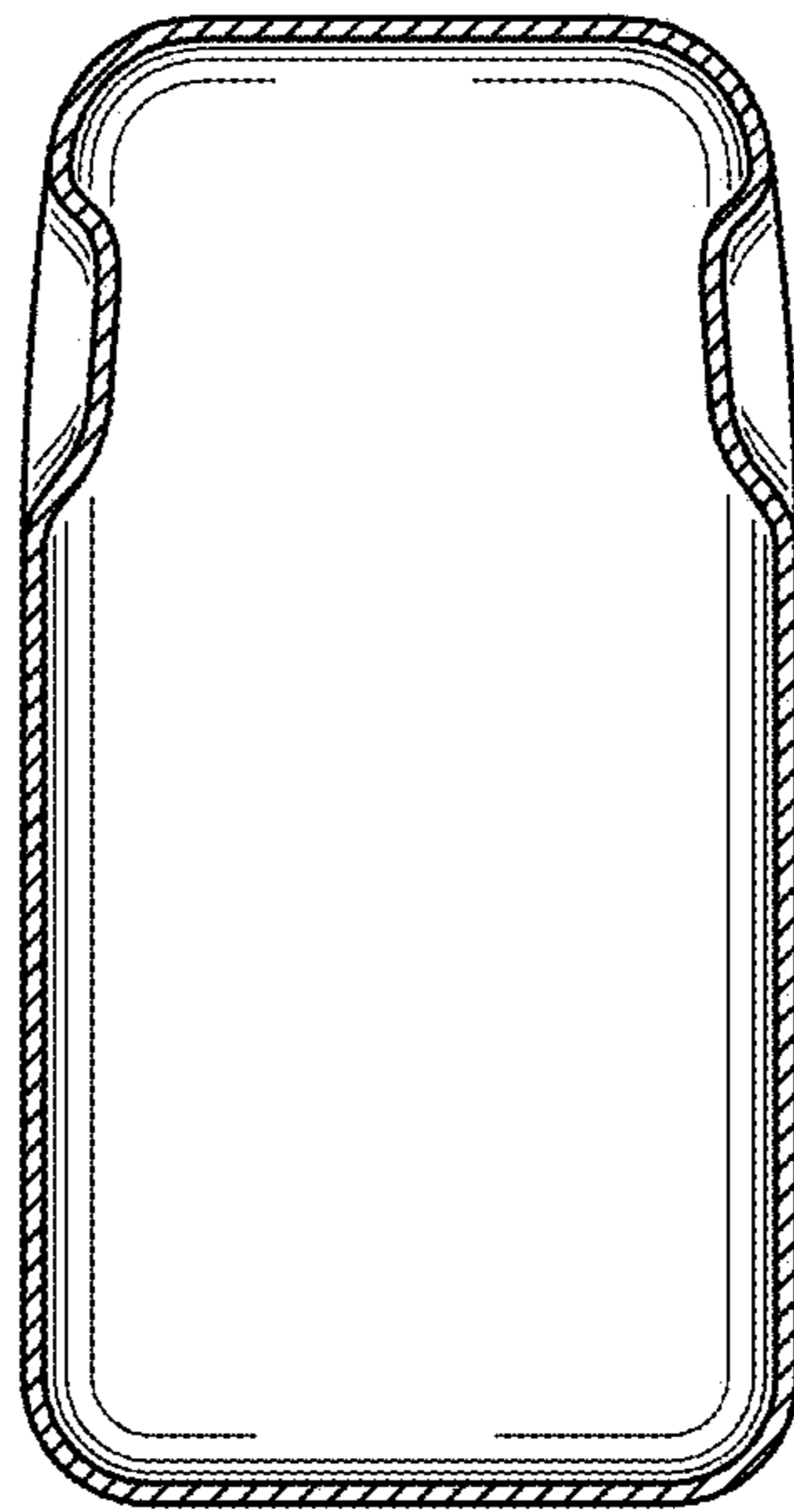


FIG. 12

