

US00D939078S

(12) **United States Design Patent** (10) **Patent No.:** **US D939,078 S**
Li (45) **Date of Patent:** **** Dec. 21, 2021**

(54) **BREATHING MASK PADDING**
(71) Applicant: **Easyform Medical (Dongguan) Limited, Dongguan (CN)**
(72) Inventor: **Yingying Li, Dongguan (CN)**
(73) Assignee: **Easyform Medical (Dongguan) Limited, Dongguan (CN)**

(**) Term: **15 Years**
(21) Appl. No.: **29/715,897**
(22) Filed: **Dec. 5, 2019**

(30) **Foreign Application Priority Data**

Jun. 5, 2019 (CN) 201930289643.6

(51) **LOC (13) Cl.** **29-02**
(52) **U.S. Cl.**
USPC **D24/110.1**

(58) **Field of Classification Search**
USPC D24/110-110.6, 127, 129; D29/110
CPC A61M 16/0616; A61M 16/0633; A61M 16/06; A61M 16/0666; A61M 16/0683; A61M 16/0605; A61M 16/0622; A61M 16/0644; A61M 16/0875; A61M 16/0816; A61M 16/08; B63C 11/205; B63C 11/16; B63C 11/186; B63C 11/12

See application file for complete search history.

(56) **References Cited**

U.S. PATENT DOCUMENTS

5,121,745 A * 6/1992 Israel A61M 16/06 128/202.28
D653,328 S * 1/2012 Eves D24/110.1
8,869,797 B2 * 10/2014 Davidson A61M 16/06 128/206.24
9,056,178 B2 * 6/2015 McAuley A61M 16/0616

10,449,316 B2 * 10/2019 Baiko A61M 16/0622
D882,757 S * 4/2020 Dantanarayana D24/110.4
10,675,426 B2 * 6/2020 Eifler A61M 16/0616
10,926,050 B2 * 2/2021 Eves A61M 16/06
11,052,210 B2 * 7/2021 Eves A61M 16/0616
11,058,839 B2 * 7/2021 Bowsher A61M 16/0644
11,058,840 B2 * 7/2021 Cho A61M 16/0683
11,065,411 B2 * 7/2021 Chodkowski A61M 16/06
D927,682 S * 8/2021 Khera D24/110.4
D930,148 S * 9/2021 Dantanarayana D24/110.1
2008/0110464 A1 * 5/2008 Davidson A62B 18/08 128/206.26
2008/0302366 A1 * 12/2008 McGinnis A61M 16/0633 128/206.24
2010/0006100 A1 * 1/2010 Eifler A61M 16/0638 128/206.24
2012/0138062 A1 * 6/2012 Ho A61M 16/0683 128/206.24
2014/0144448 A1 * 5/2014 Eifler A61M 16/06 128/206.24

(Continued)

Primary Examiner — Sheryl Lane
Assistant Examiner — Aula Soroush
(74) *Attorney, Agent, or Firm* — Richard A. Fagin

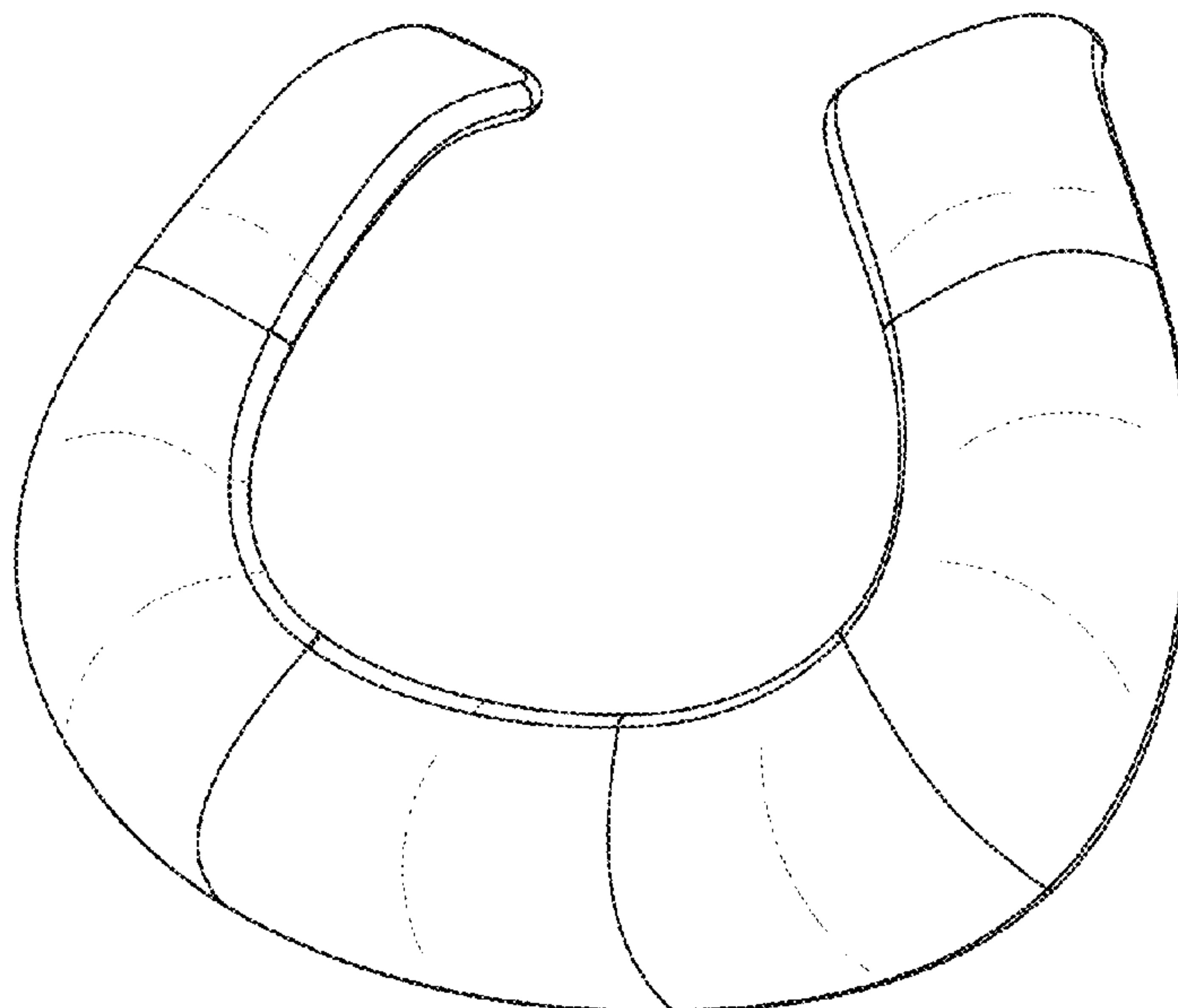
(57) **CLAIM**

The ornamental design for a breathing mask padding, as shown and described.

DESCRIPTION

FIG. 1 is a perspective view of a breathing mask padding showing the new design;
FIG. 2 is a front elevational view of the breathing mask padding;
FIG. 3 is a rear elevational view of the breathing mask padding;
FIG. 4 is a left side view of the breathing mask padding;
FIG. 5 is a right side view of the breathing mask padding;
FIG. 6 is a top view of the breathing mask padding; and,
FIG. 7 is a bottom view of the breathing mask padding.

1 Claim, 7 Drawing Sheets



(56)

References Cited

U.S. PATENT DOCUMENTS

2014/0352134 A1* 12/2014 Ho A61M 16/0633
29/592
2015/0040911 A1* 2/2015 Davidson A61M 16/06
128/206.24
2015/0090266 A1* 4/2015 Melidis B29C 45/1676
128/205.25

* cited by examiner

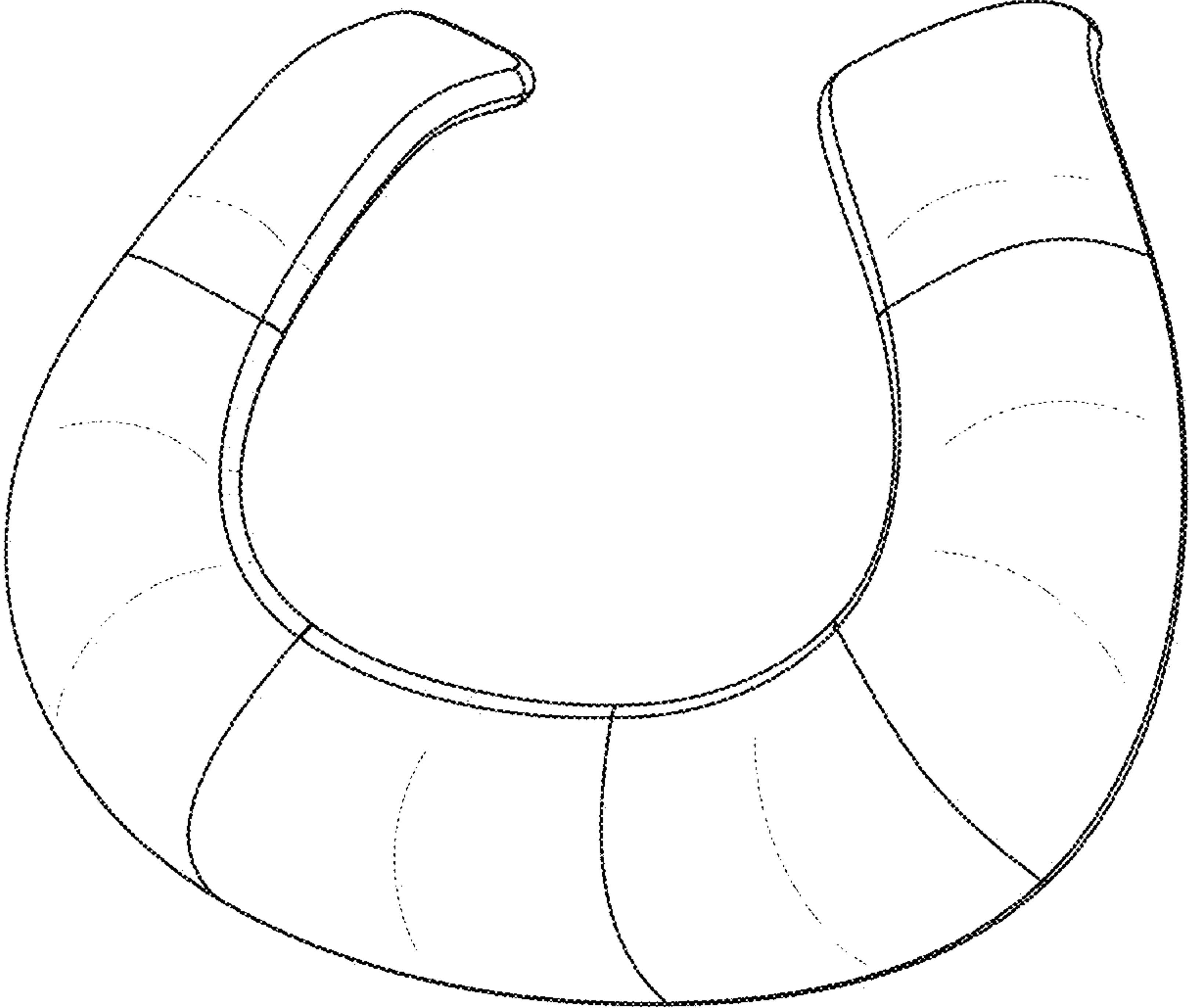


Fig. 1

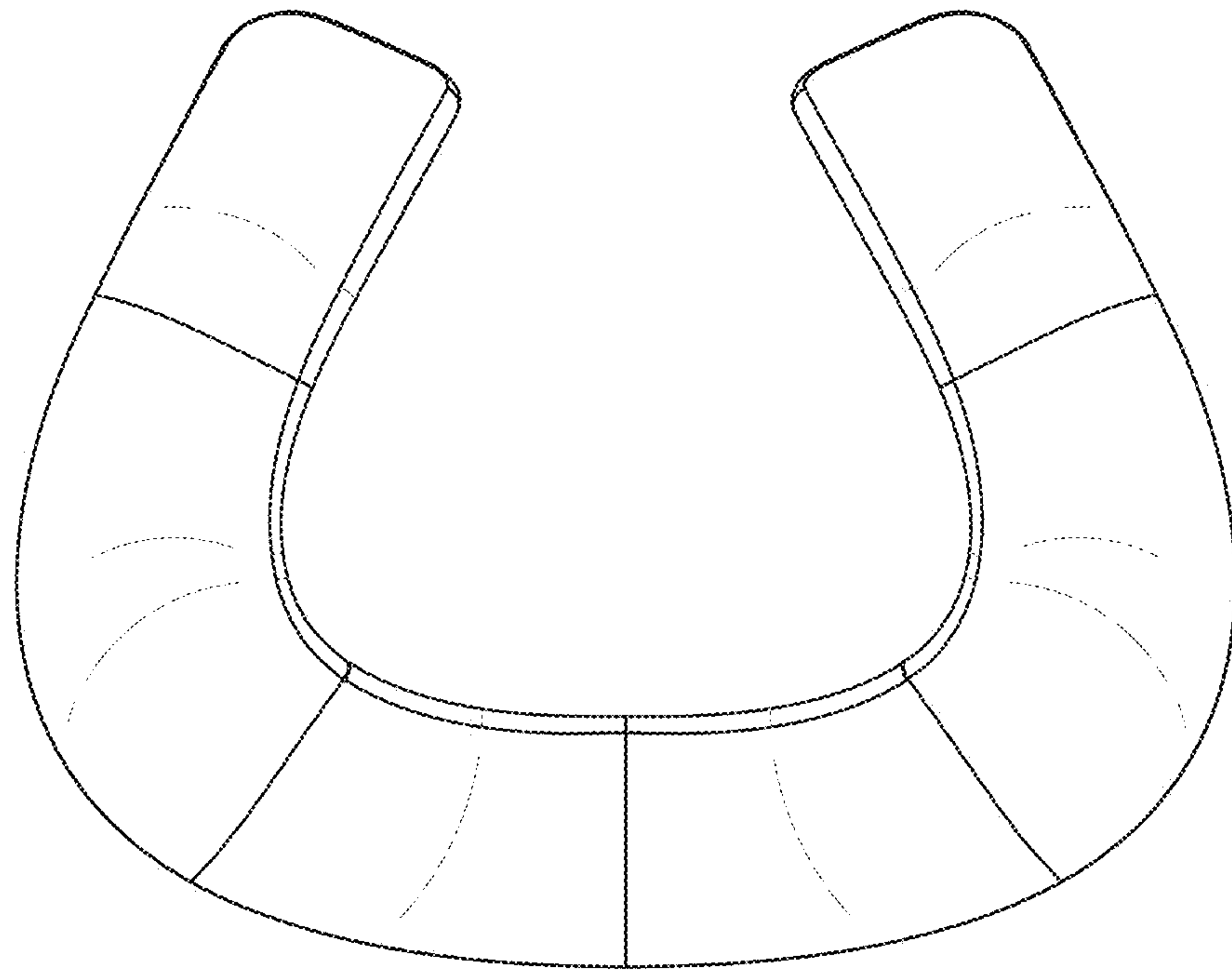


Fig.2

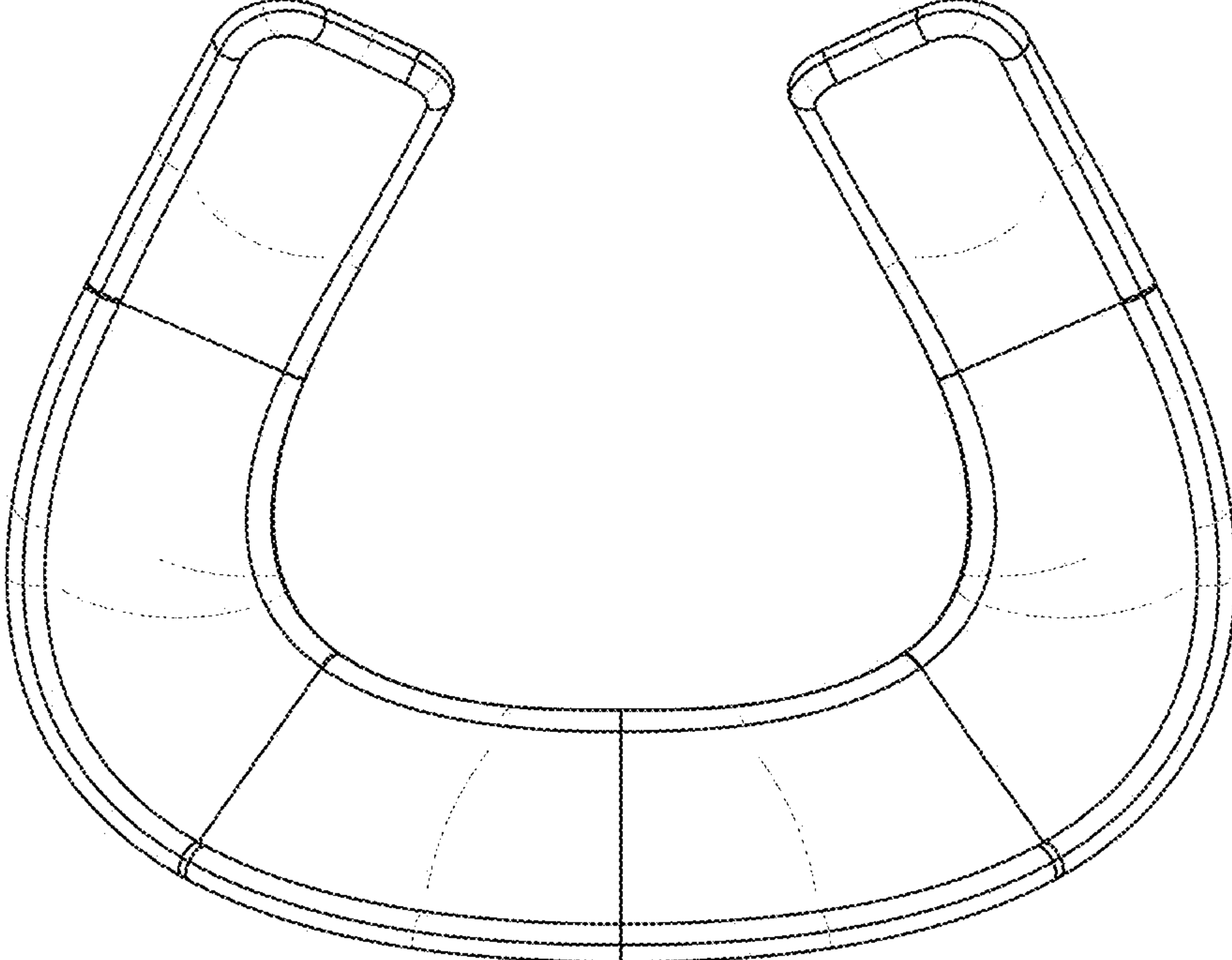


Fig.3

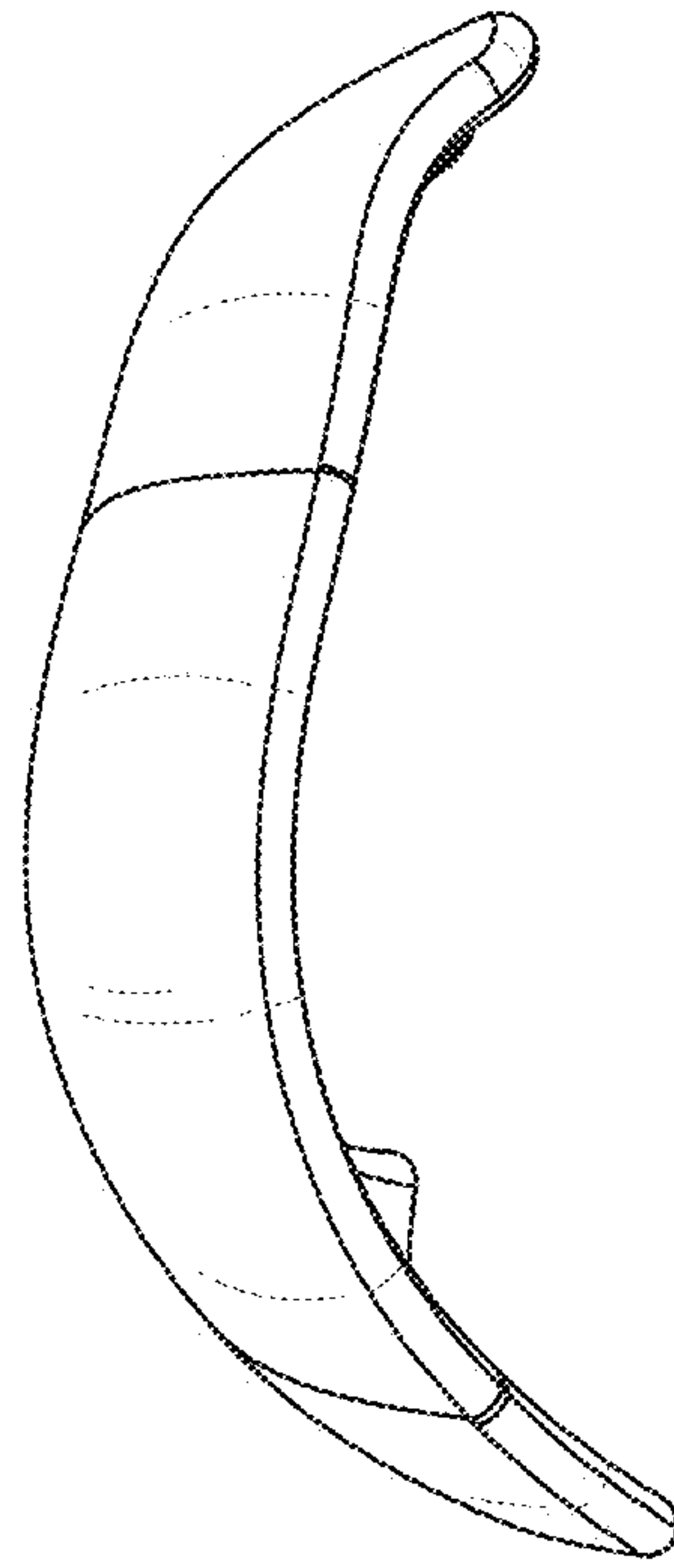


Fig.4

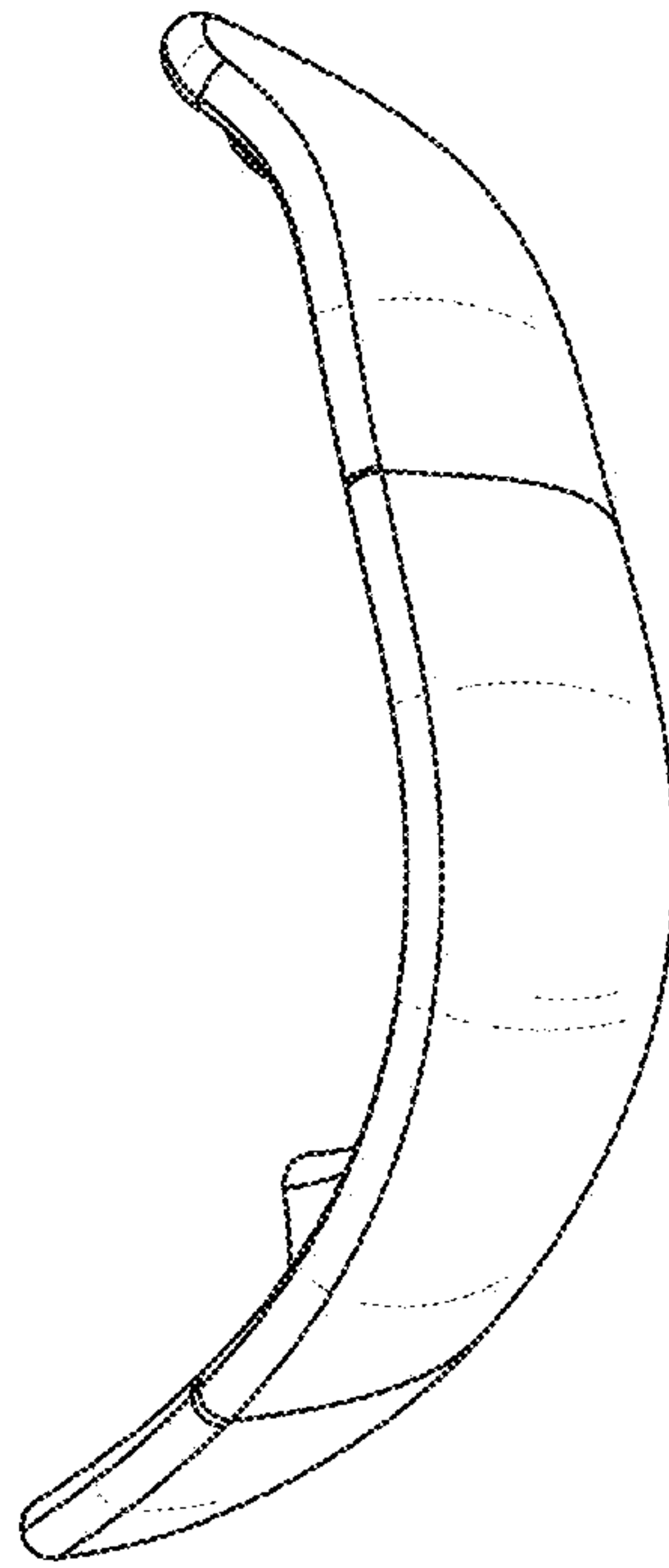


Fig. 5

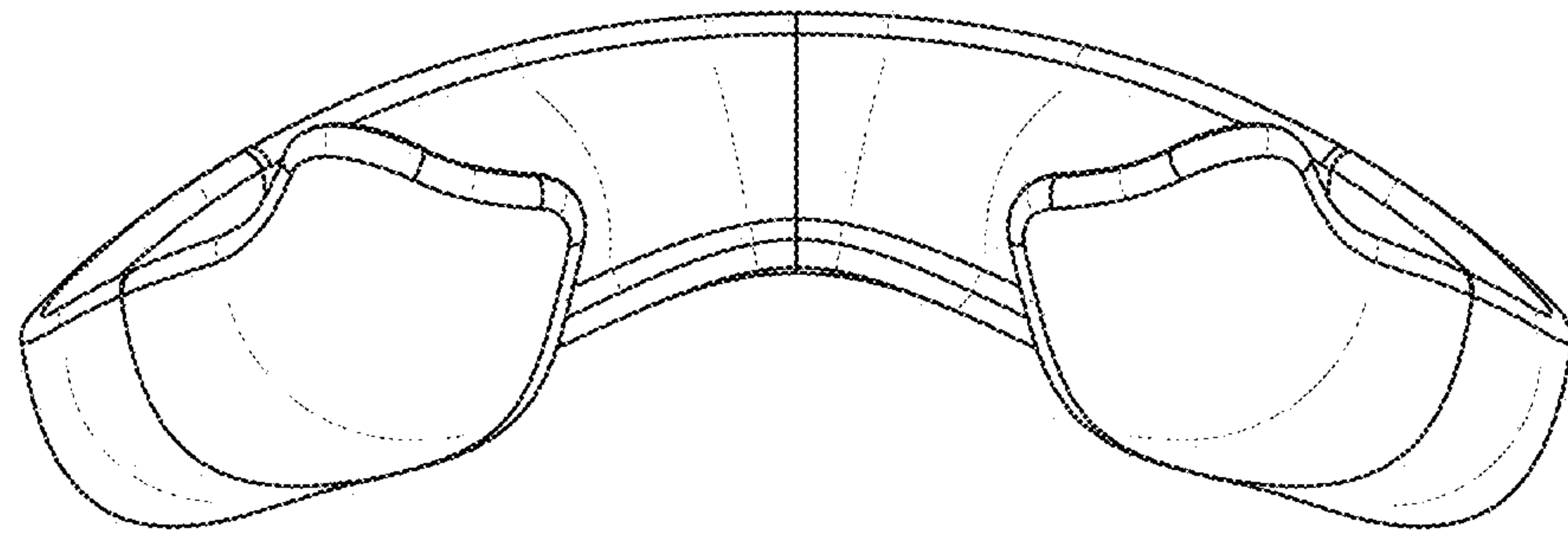


Fig.6

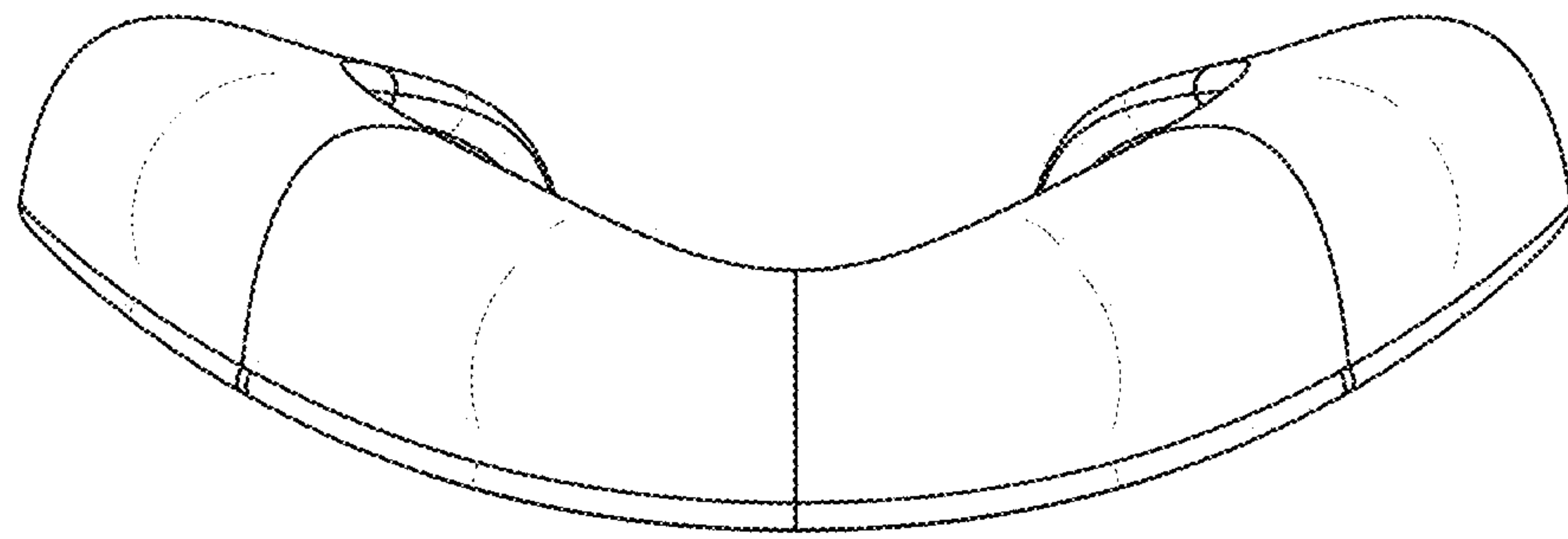


Fig.7