



US00D939077S

(12) **United States Design Patent** (10) **Patent No.:** **US D939,077 S**
Imhof et al. (45) **Date of Patent:** **** Dec. 21, 2021**

(54) **MEDICAL SUCTION PUMP**

A61J 9/00; A61J 13/00; A61J 2200/50;
A61J 2200/76

(71) Applicant: **MEDELA HOLDING AG**, Baar (CH)

See application file for complete search history.

(72) Inventors: **Thomas Imhof**, Brittnau (CH); **Hilmar Ehlert**, Hergiswil (CH); **Adrian Honegger**, Lucerne (CH); **Cornel Bächler**, Honau (CH); **Therese Naef**, Nussbaumen AG (CH); **Britta Pukall**, Zürich (CH)

(56) **References Cited**

U.S. PATENT DOCUMENTS

4,396,386 A * 8/1983 Kurtz A61M 1/61
604/318
7,857,806 B2 * 12/2010 Karpowicz G01F 1/28
604/540
D660,409 S * 5/2012 Taggerty D24/108
D726,302 S * 4/2015 Hanna D24/108
D797,275 S * 9/2017 Evans D24/108

(Continued)

(73) Assignee: **MEDELA HOLDING AG**, Baar (CH)

(**) Term: **15 Years**

OTHER PUBLICATIONS

(21) Appl. No.: **29/709,848**

Invia Liberty Negative Pressure Wound Therapy (NPWT) System, posted at medelahealthcare.com, earliest date posted Jan. 20, 2021, [online], acquired on Sep. 28, 2021, Available on internet. url:https://www.medelahealthcare.com/en-US/solutions/negative-pressure-wound-therapy/invia-liberty-npwt-pump (Year: 2021).*

(22) Filed: **Oct. 17, 2019**

(30) **Foreign Application Priority Data**

Apr. 25, 2019 (EM) 006393831

(51) **LOC (13) Cl.** **24-01**

(52) **U.S. Cl.**

USPC **D24/108**

(58) **Field of Classification Search**

USPC D24/107-109, 111, 113, 127, 185, 193,
D24/197, 188; D9/500, 549; D7/700;
D14/203.2-203.7; D13/168

CPC A61M 1/00; A61M 1/06; A61M 1/062;
A61M 1/064; A61M 1/80; A61M 1/82;
A61M 1/0001; A61M 2205/502; A61M
2205/8206; A61M 2205/07; A61M
2205/505; A61M 2205/071; A61M
2205/075; A61M 2205/123; A61M
1/0088; A61M 1/0031; A61M 1/0023;
A61M 1/009; A61M 1/0096; A61M
1/0058; A61M 1/0066; A61M 27/00;

Primary Examiner — Sheryl Lane

Assistant Examiner — Aula Soroush

(74) *Attorney, Agent, or Firm* — Marshall, Gerstein & Borun LLP

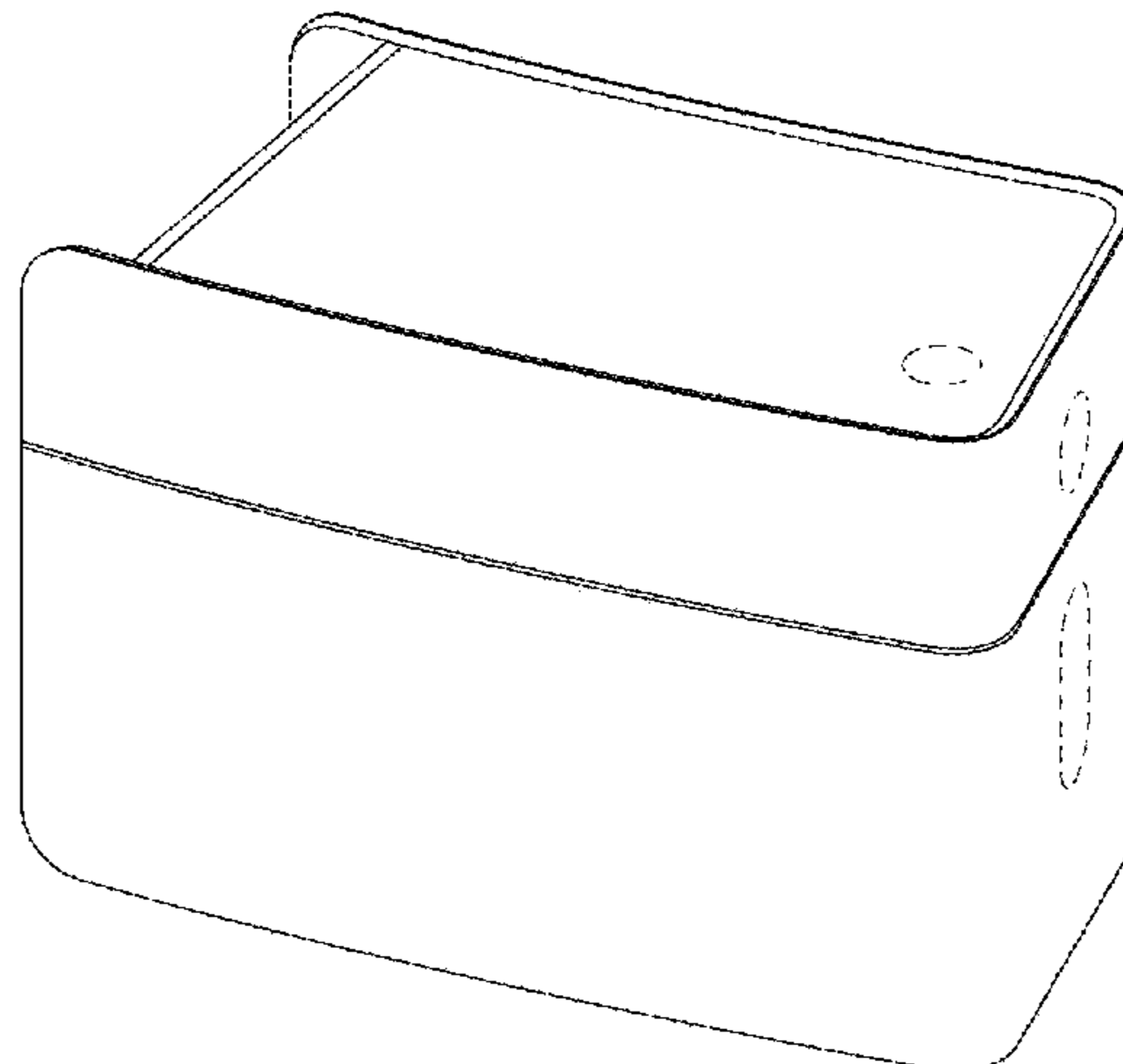
(57) **CLAIM**

The ornamental design for a medical suction pump, as shown and described.

DESCRIPTION

FIG. 1 is a front, left perspective view of a medical suction pump of the new design;
FIG. 2 is a top view of the invention of FIG. 1;
FIG. 3 is a left elevation view of the invention of FIG. 1;
FIG. 4 is a right elevation view of the invention of FIG. 1;
FIG. 5 is a rear view of the invention of FIG. 1;
FIG. 6 is a front view of the invention of FIG. 1; and,
FIG. 7 is a bottom view of the invention of FIG. 1.

(Continued)



The broken lines in the drawings indicate portions of the medical suction pump that form no part of the claimed design.

1 Claim, 7 Drawing Sheets

(56)

References Cited

U.S. PATENT DOCUMENTS

D884,156 S * 5/2020 Haug D24/111
D887,545 S * 6/2020 Heintze D24/107

* cited by examiner

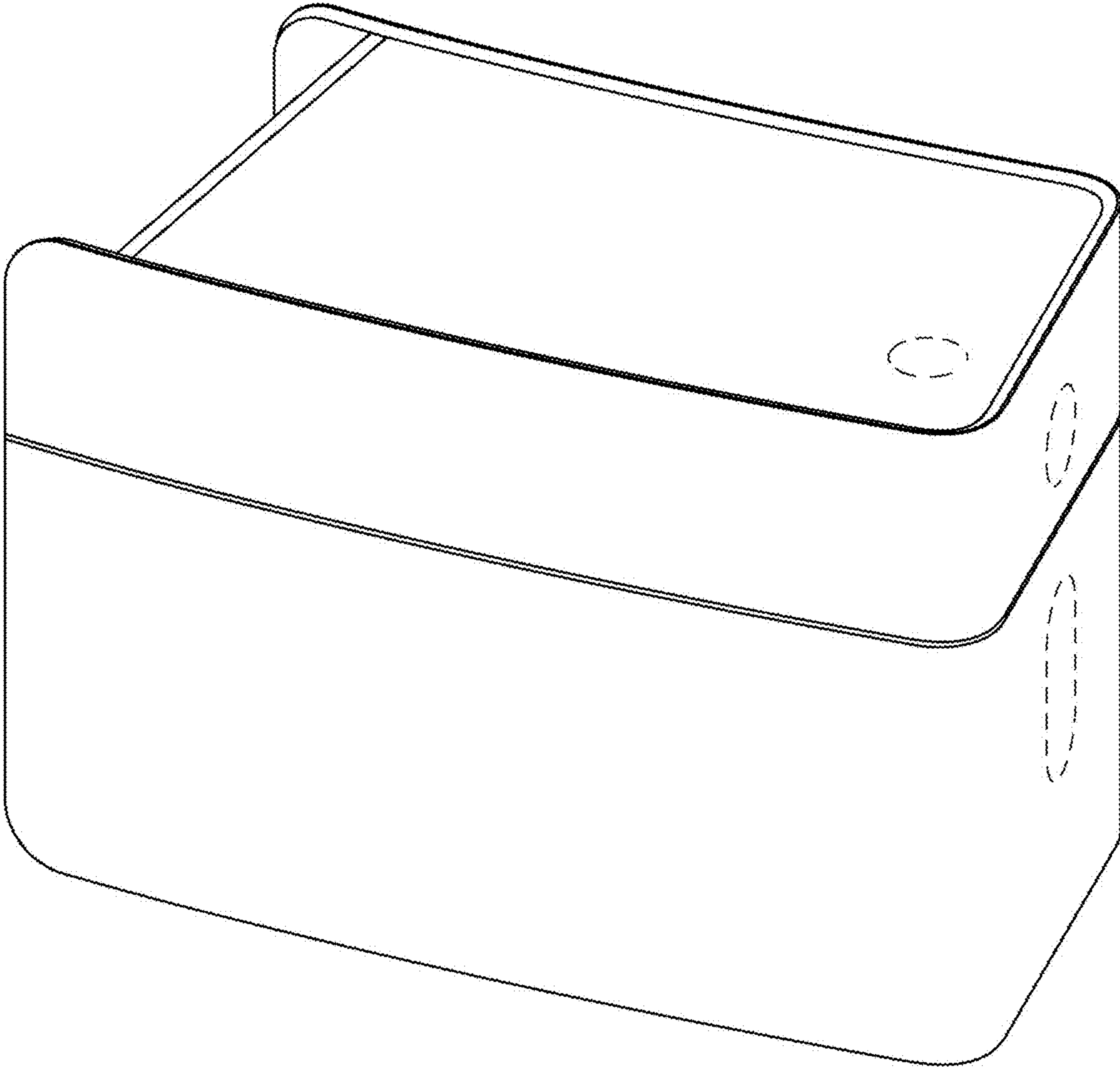


FIG. 1

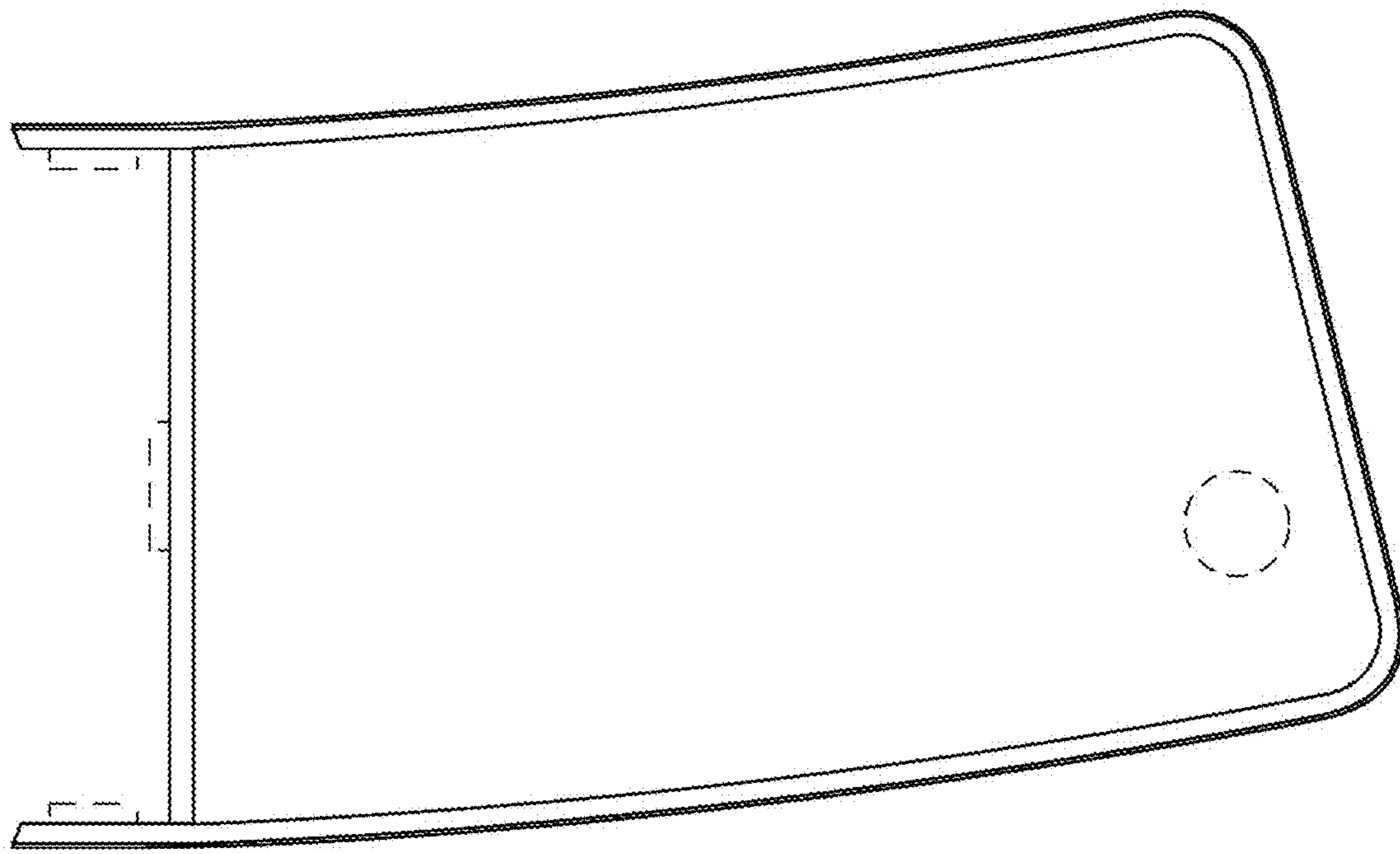


FIG. 2

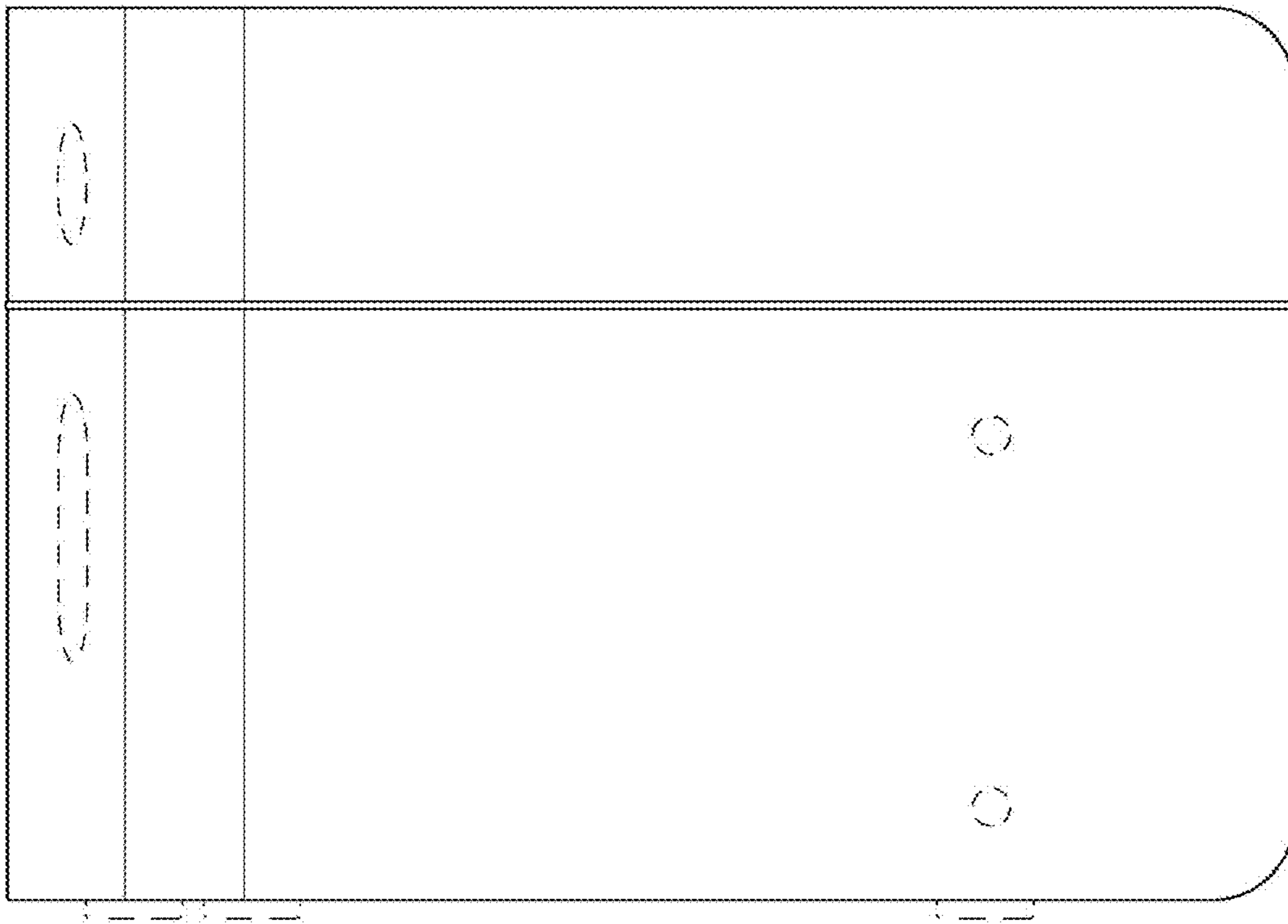


FIG. 3

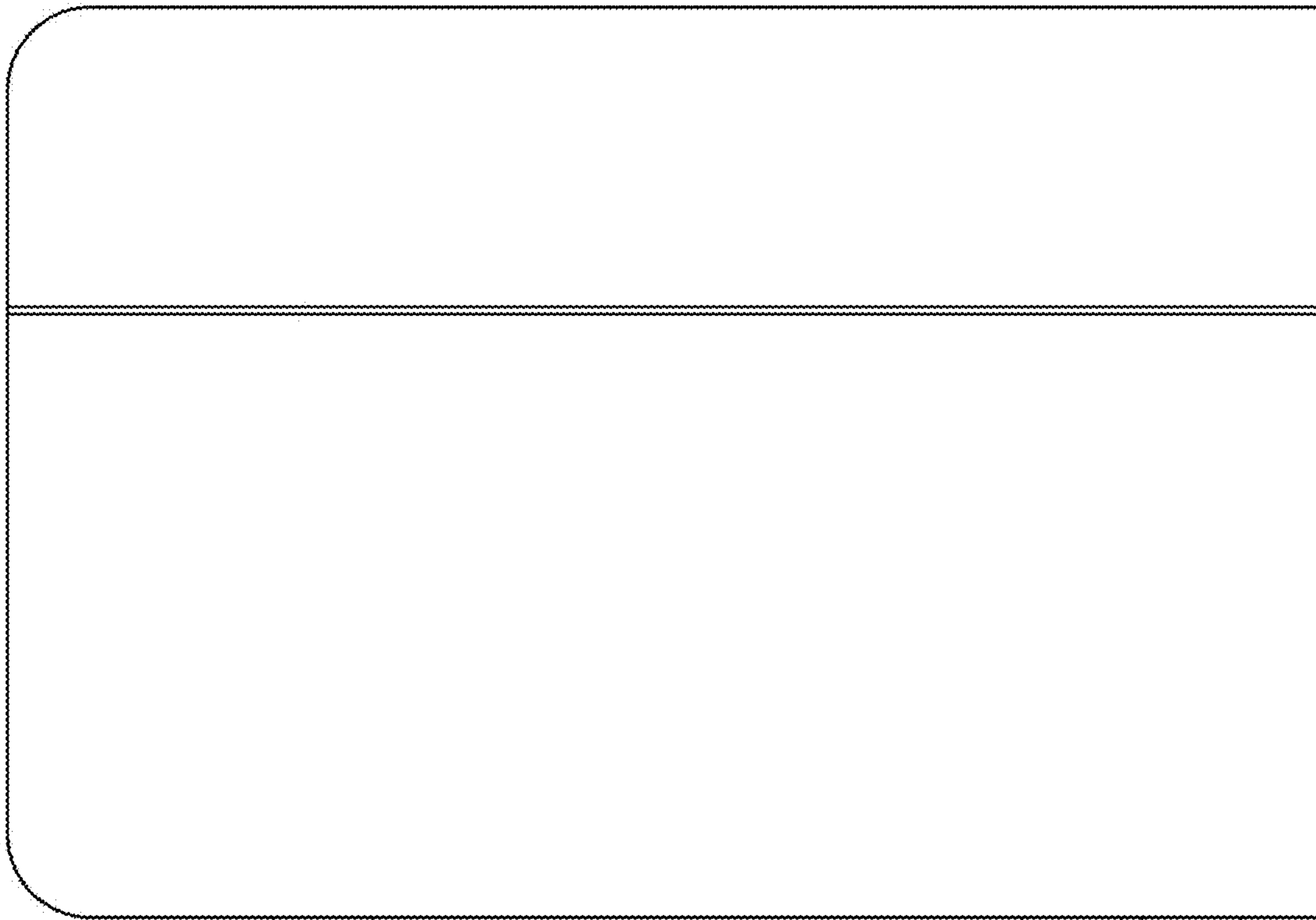


FIG. 4

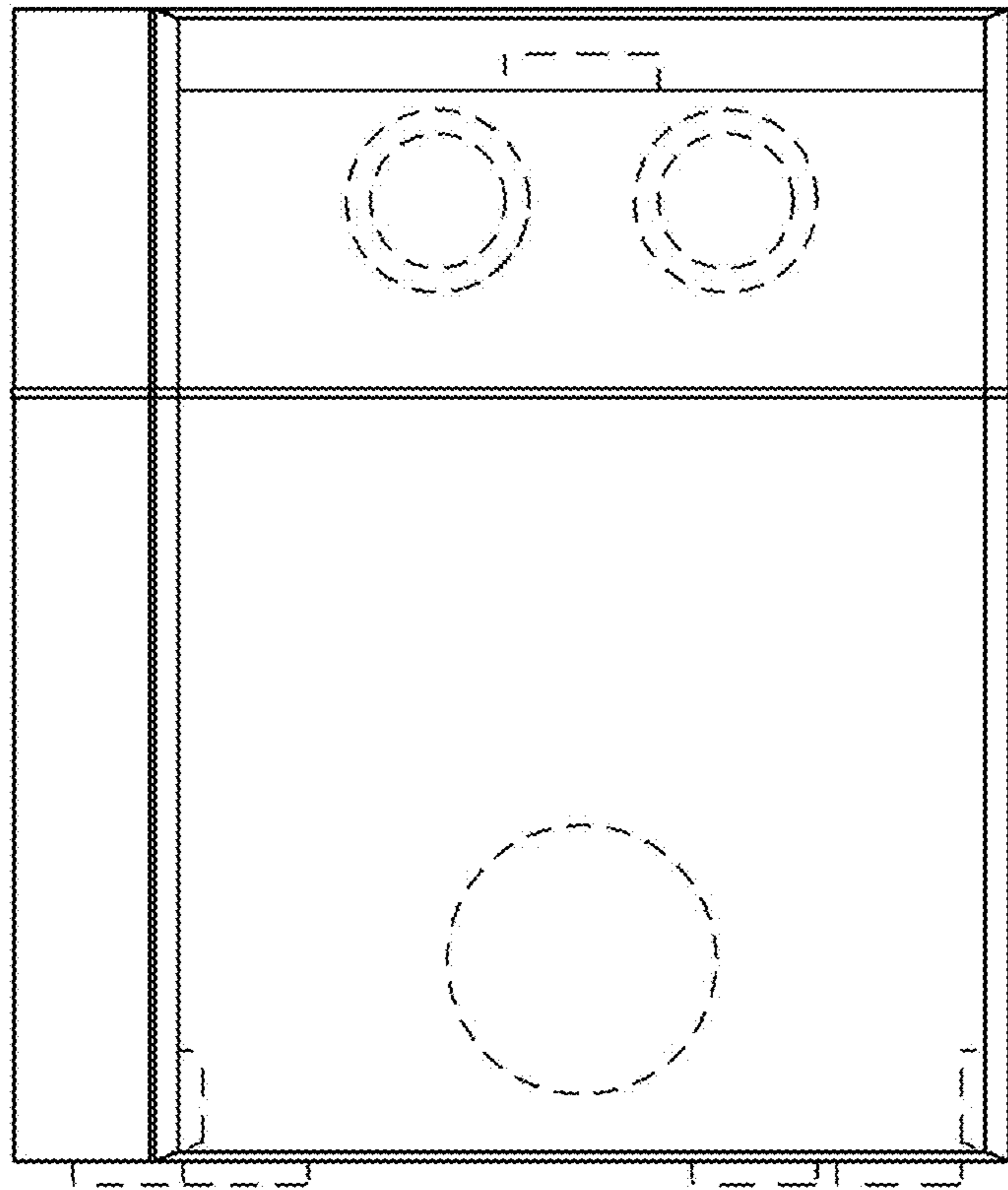


FIG. 5

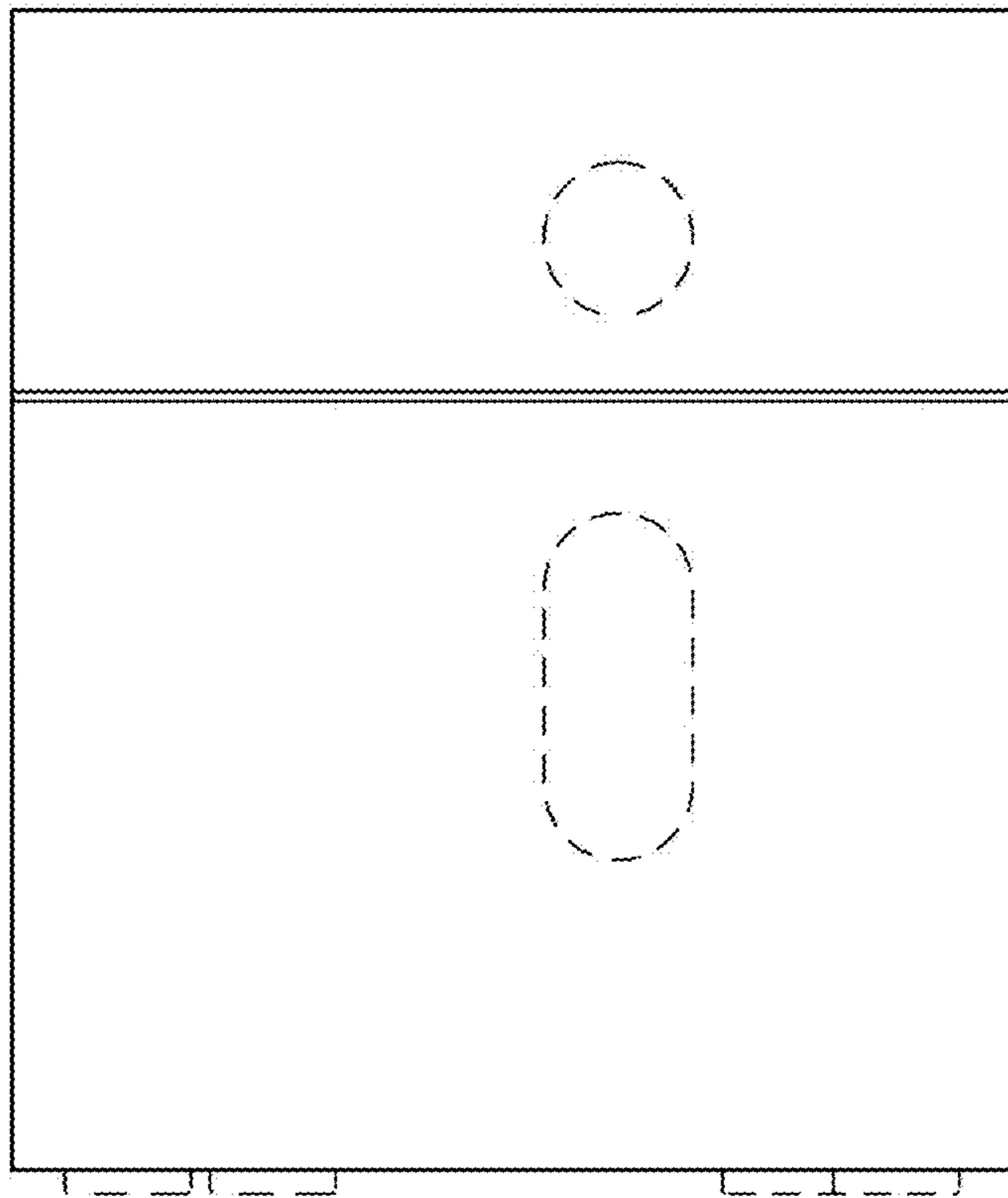


FIG. 6

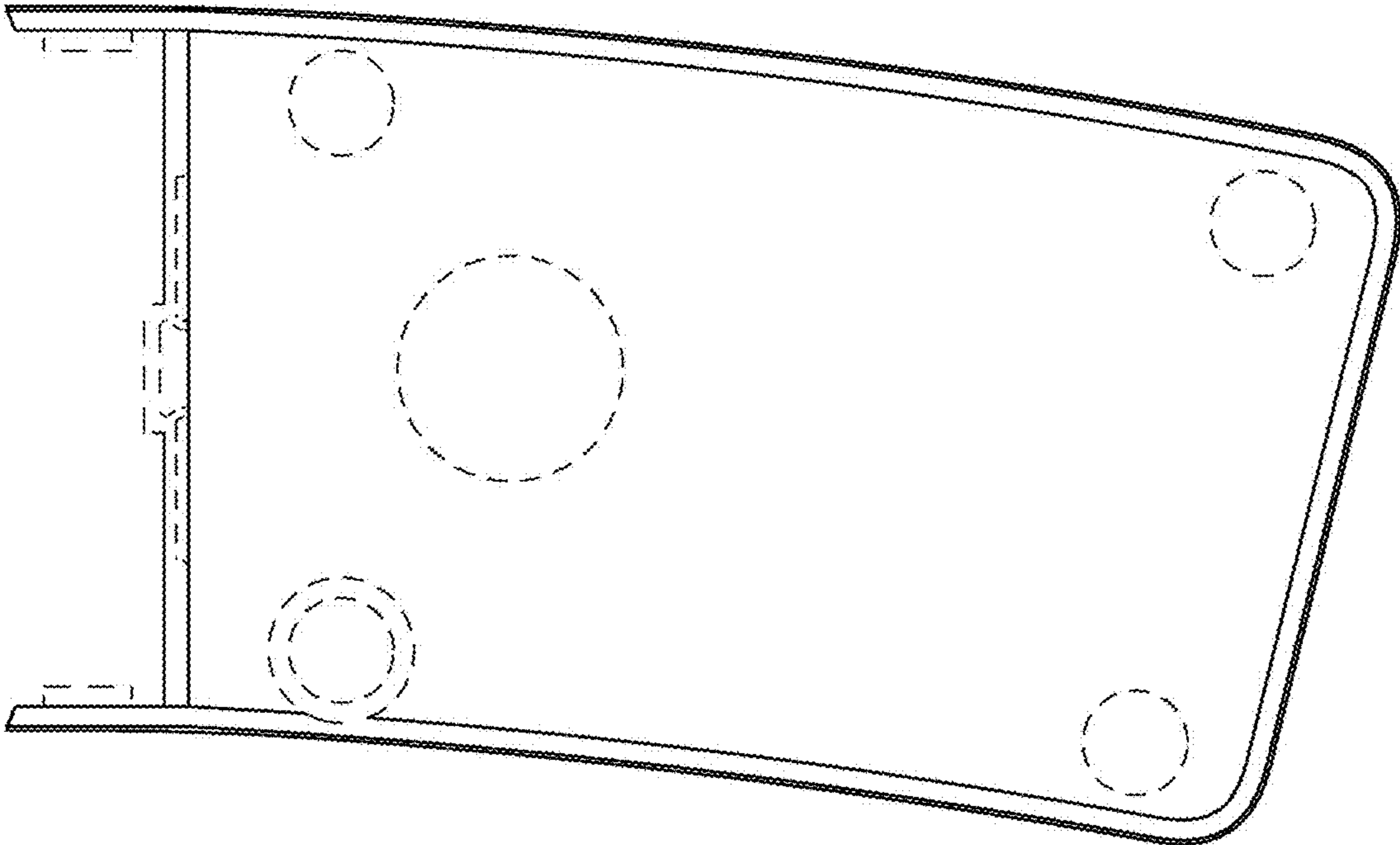


FIG. 7