



US00D939075S

(12) **United States Design Patent** (10) **Patent No.:** **US D939,075 S**  
**Yan** (45) **Date of Patent:** **\*\* Dec. 21, 2021**

(54) **HEAT INSULATION BOARD OF FIRE PIT TABLE**

(71) Applicant: **Xinxin Yan**, Zhejiang (CN)

(72) Inventor: **Xinxin Yan**, Zhejiang (CN)

(\*\*) Term: **15 Years**

(21) Appl. No.: **29/758,181**

(22) Filed: **Nov. 12, 2020**

(51) **LOC (13) Cl.** ..... **07-08**

(52) **U.S. Cl.**  
USPC ..... **D23/403**

(58) **Field of Classification Search**  
USPC ..... D23/314, 342, 343, 344, 347, 386, 403,  
D23/405; D6/329, 685, 686, 688;  
D7/323, 332, 337, 387, 388  
CPC ..... F24B 1/1808; F24B 1/195; F24B 13/002;  
F24C 3/006  
See application file for complete search history.

(56) **References Cited**

**U.S. PATENT DOCUMENTS**

- D252,281 S \* 7/1979 Kincaid ..... D23/343
- D257,517 S \* 11/1980 Francis ..... D23/350
- D260,070 S \* 8/1981 Haverland ..... D7/388
- D269,120 S \* 5/1983 Francis ..... D23/343
- D269,368 S \* 6/1983 Schrader ..... D23/343
- 4,399,805 A \* 8/1983 Kienlen ..... F24B 13/002  
126/201
- D276,459 S \* 11/1984 Perdue ..... D23/386
- 4,766,876 A \* 8/1988 Henry ..... F24B 5/026  
126/193
- D330,482 S \* 10/1992 Demirjian ..... D7/337
- D345,204 S \* 3/1994 Boka ..... D23/403
- D359,115 S \* 6/1995 Schroeter ..... D23/342
- D366,110 S \* 1/1996 Darr ..... D23/403
- D407,479 S \* 3/1999 Sternberg, Sr. .... D23/386
- D455,206 S \* 4/2002 Davis ..... D23/343

- 6,640,803 B2 \* 11/2003 Davis ..... F24B 1/181  
126/277
- D500,359 S \* 12/2004 Davis ..... D23/343
- 7,263,991 B2 \* 9/2007 Schlosser ..... F24B 1/1808  
126/512
- D635,064 S \* 3/2011 Schachte ..... D12/159
- D899,829 S \* 10/2020 Liang ..... D6/686
- D925,712 S \* 7/2021 Yan ..... D23/339
- 2002/0157306 A1 \* 10/2002 Mathew ..... C10L 1/1824  
44/438

(Continued)

**FOREIGN PATENT DOCUMENTS**

CN 302470187 S 6/2013

**OTHER PUBLICATIONS**

Northland Online Deck Defender, Jun. 20, 2018, Amazon, site visited Sep. 13, 2021: <https://www.amazon.com/dp/B015HNVM5I/> (Year: 2018).\*

(Continued)

*Primary Examiner* — Jack Reickel  
*Assistant Examiner* — Bobby W Jones, II

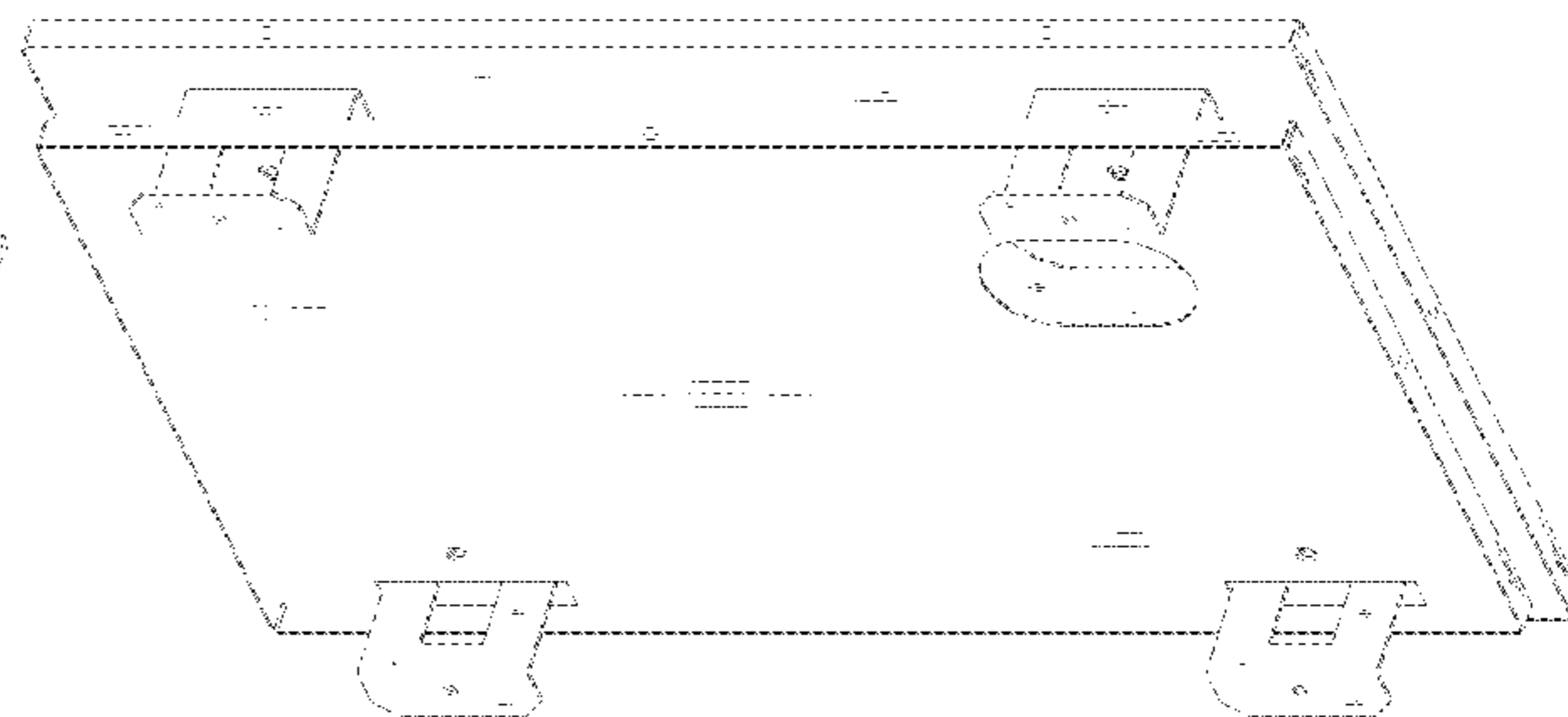
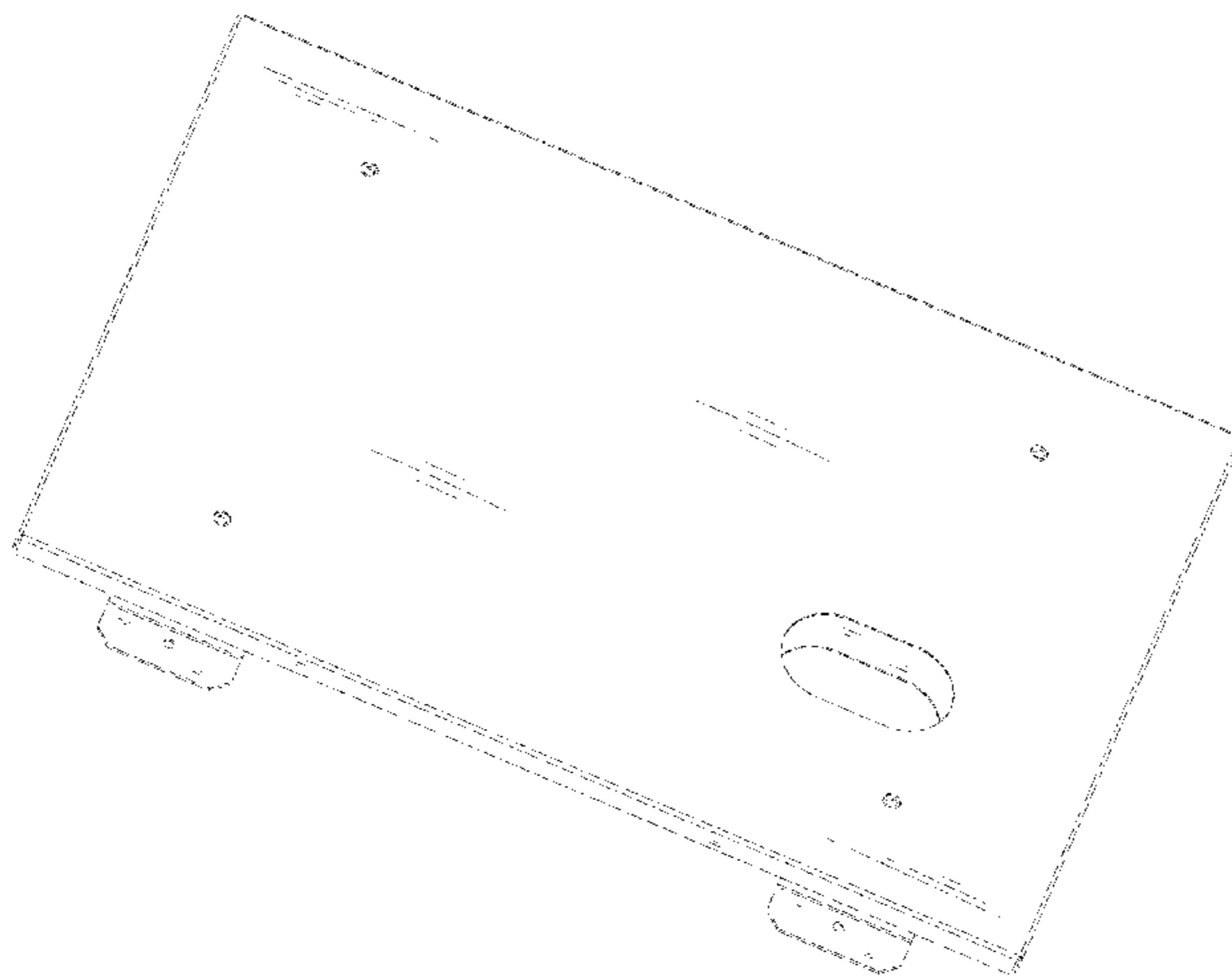
(57) **CLAIM**

The ornamental design for a heat insulation board of fire pit table, as shown and described.

**DESCRIPTION**

FIG. 1 is a top perspective view of a heat insulation board of fire pit table showing my new design;  
FIG. 2 is a bottom perspective view thereof;  
FIG. 3 is a front view thereof;  
FIG. 4 is a back view thereof;  
FIG. 5 is a left side thereof;  
FIG. 6 is a right side thereof.  
FIG. 7 is a top view thereof; and,  
FIG. 8 is a bottom view thereof.

**1 Claim, 8 Drawing Sheets**



(56)

**References Cited**

U.S. PATENT DOCUMENTS

2014/0116418 A1\* 5/2014 Thomas ..... F24C 3/006  
126/512  
2020/0191407 A1\* 6/2020 Zemel ..... F24B 1/192

OTHER PUBLICATIONS

Titan Great Outdoors Fire Pit Heat Deflector, Oct. 18, 2020,  
Amazon, site visited Sep. 13, 2021: [https://www.amazon.com/dp/  
B08DL4VWJF/](https://www.amazon.com/dp/B08DL4VWJF/) (Year: 2020).\*

Titan Great Outdoors Fire Pit Heat Shield for Fire Ring, Sep. 12,  
2020, Amazon, site visited Sep. 13, 2021: [https://www.amazon.com/  
dp/B07TLZLYHQ/](https://www.amazon.com/dp/B07TLZLYHQ/) (Year: 2020).\*

\* cited by examiner

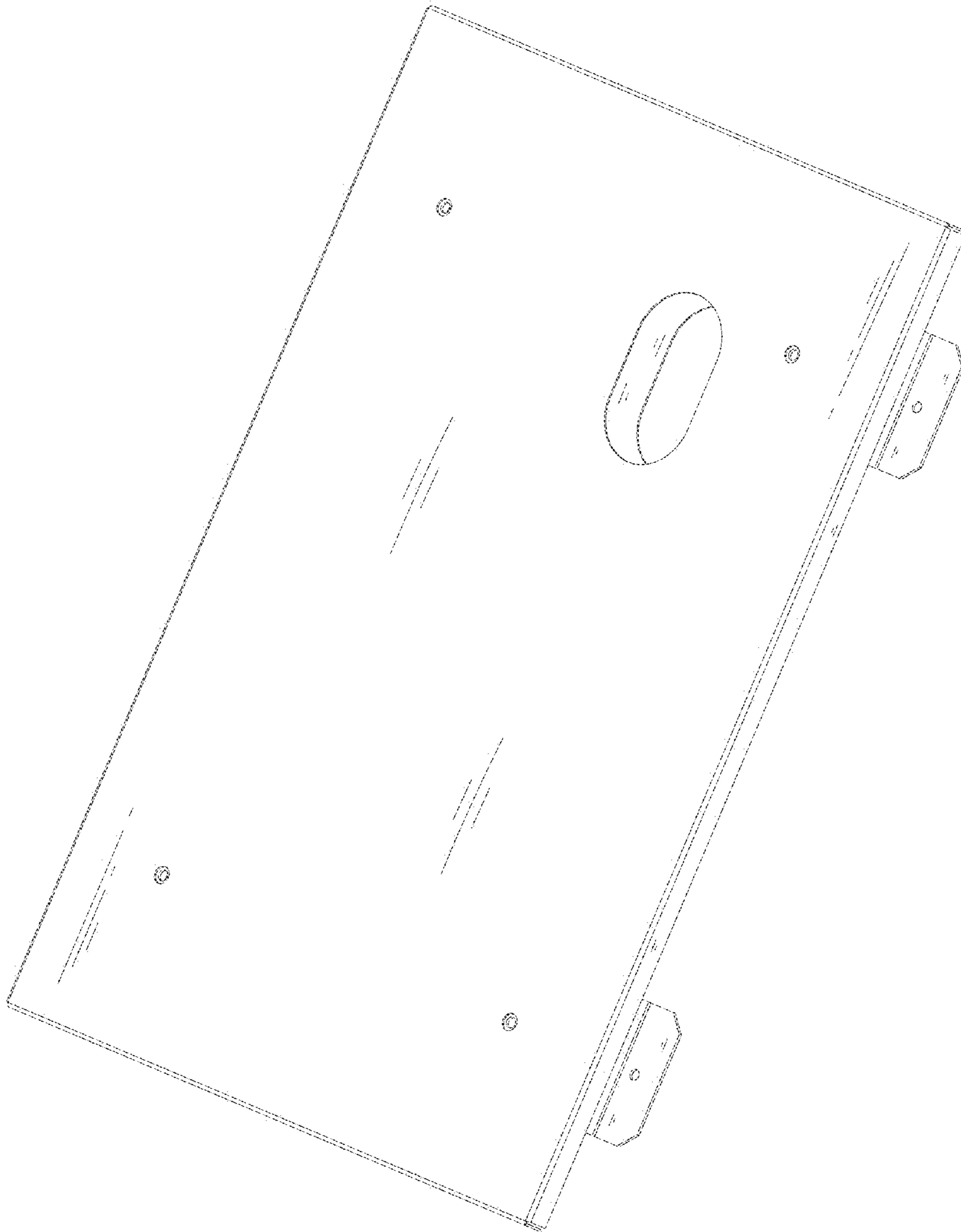


FIG 1

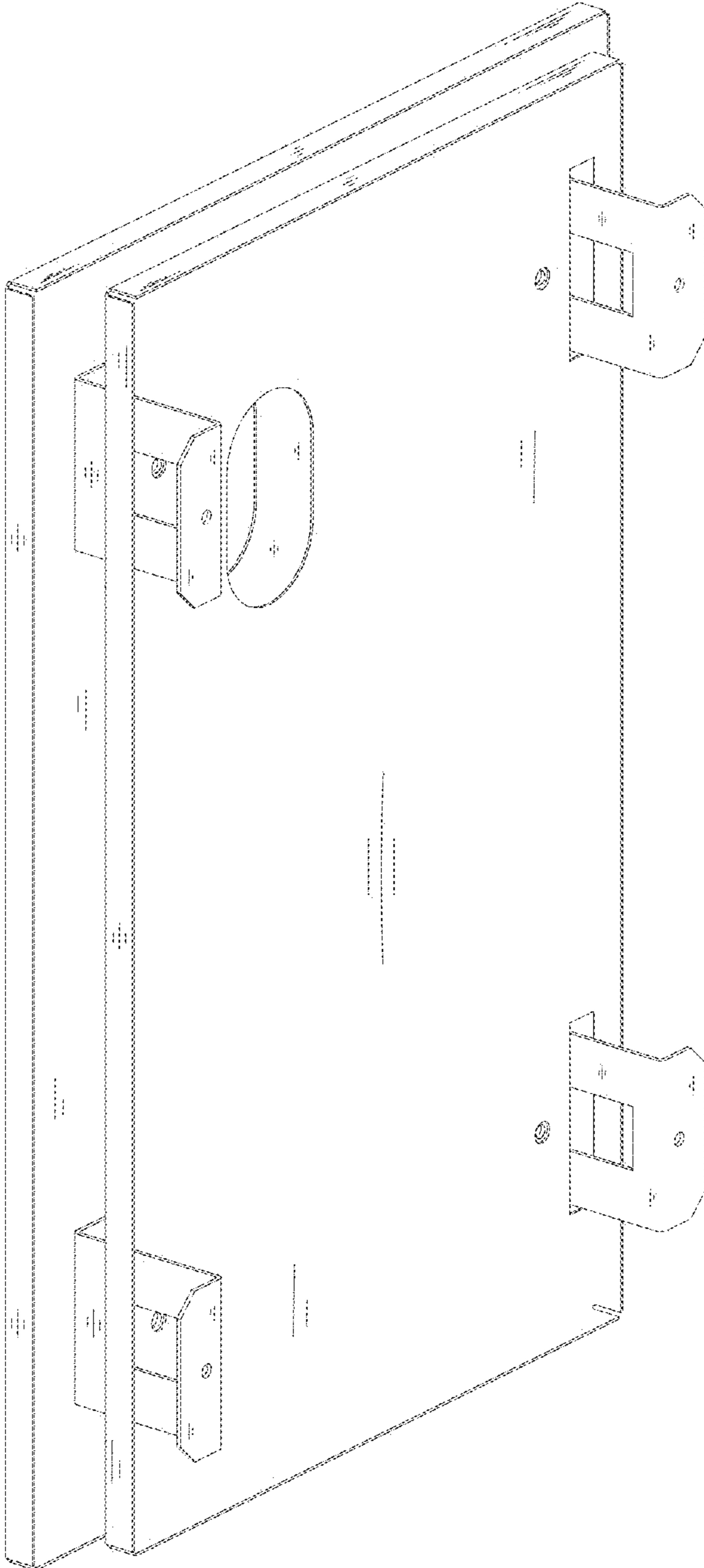


FIG 2

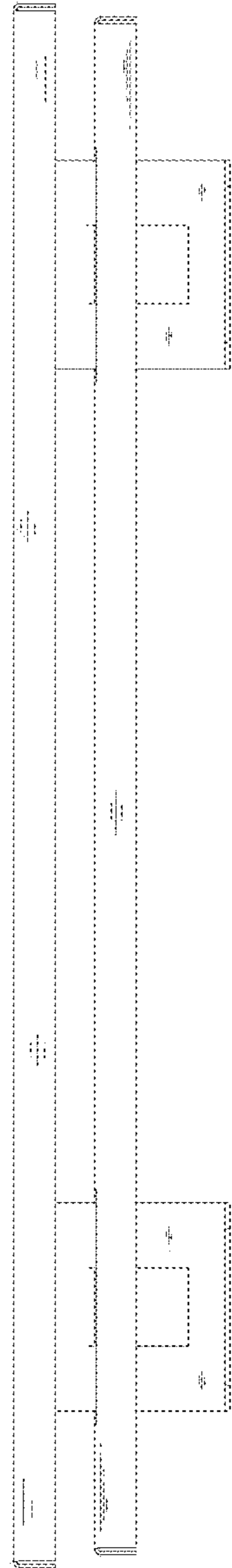


FIG 3

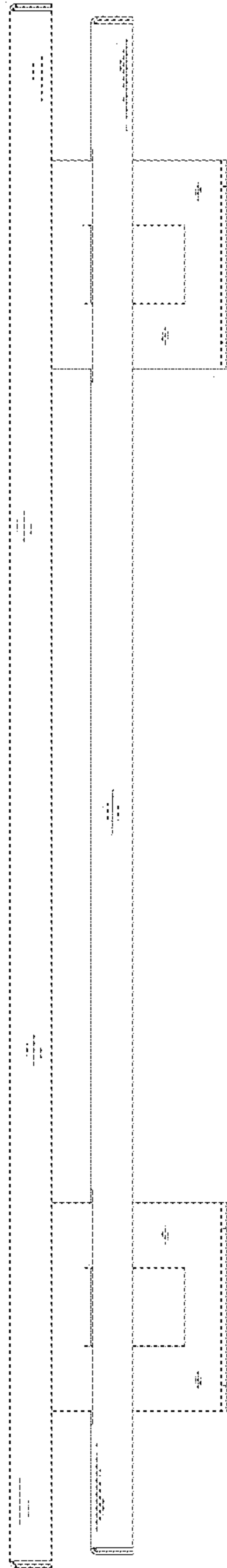


FIG 4

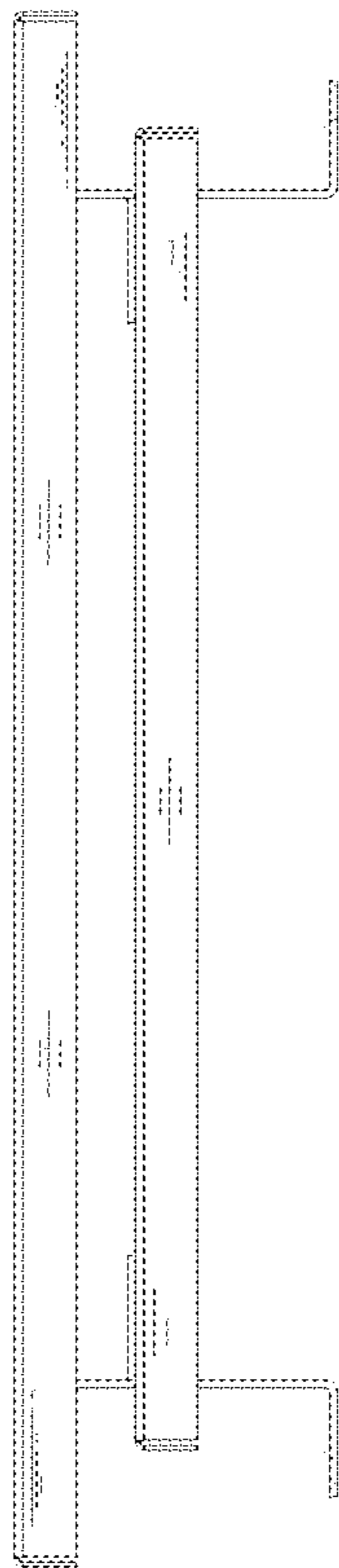


FIG 5

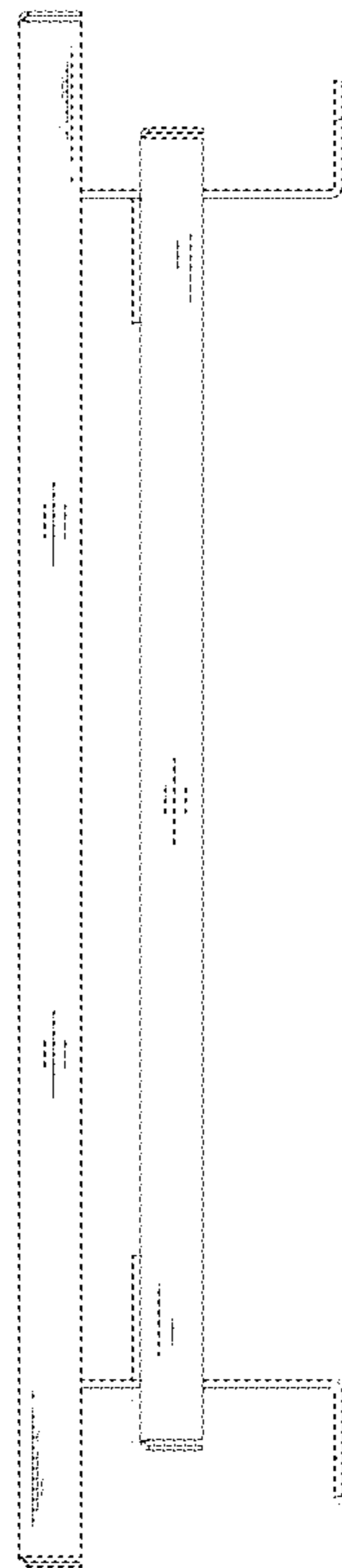


FIG 6



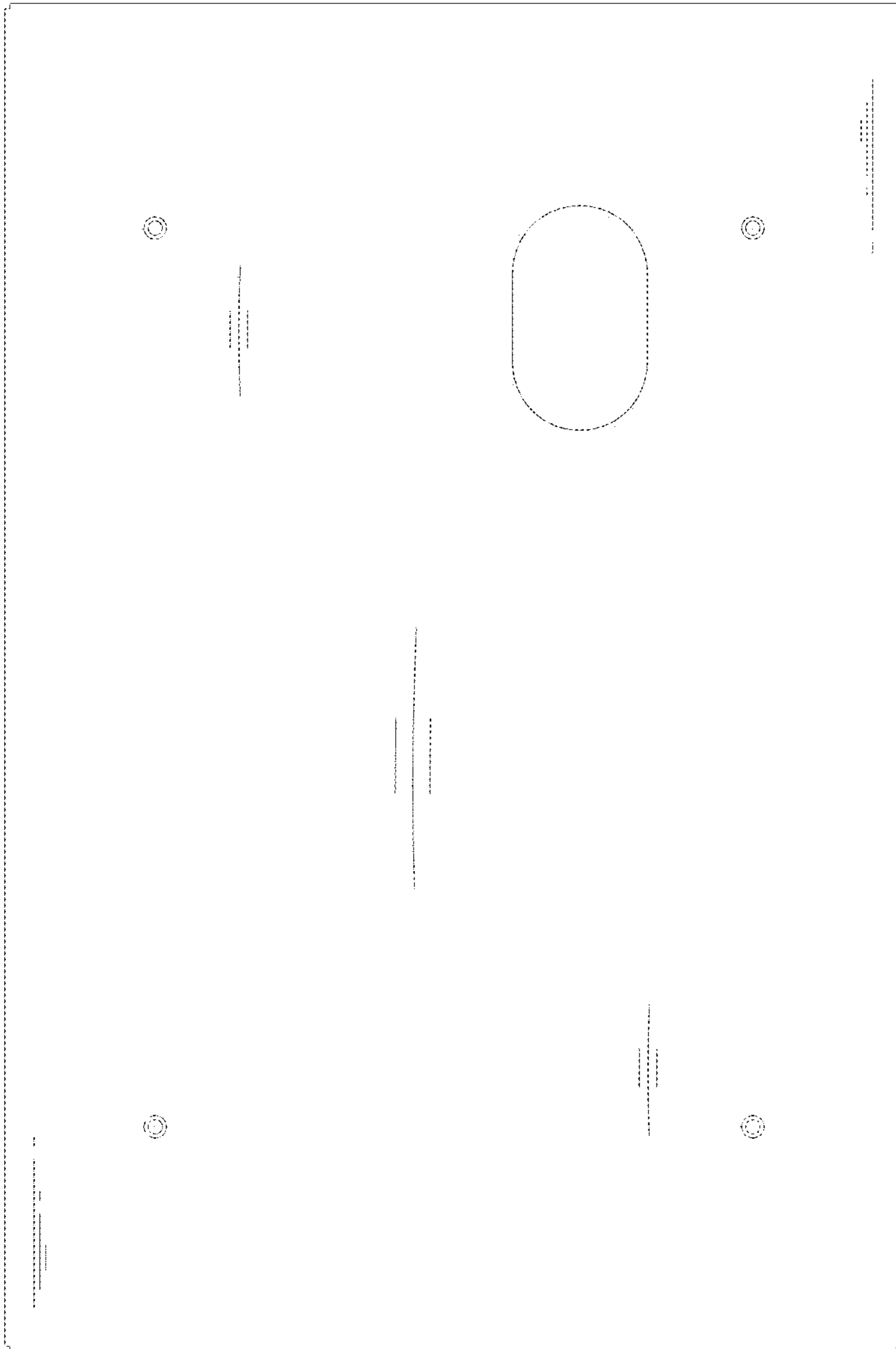


FIG 7

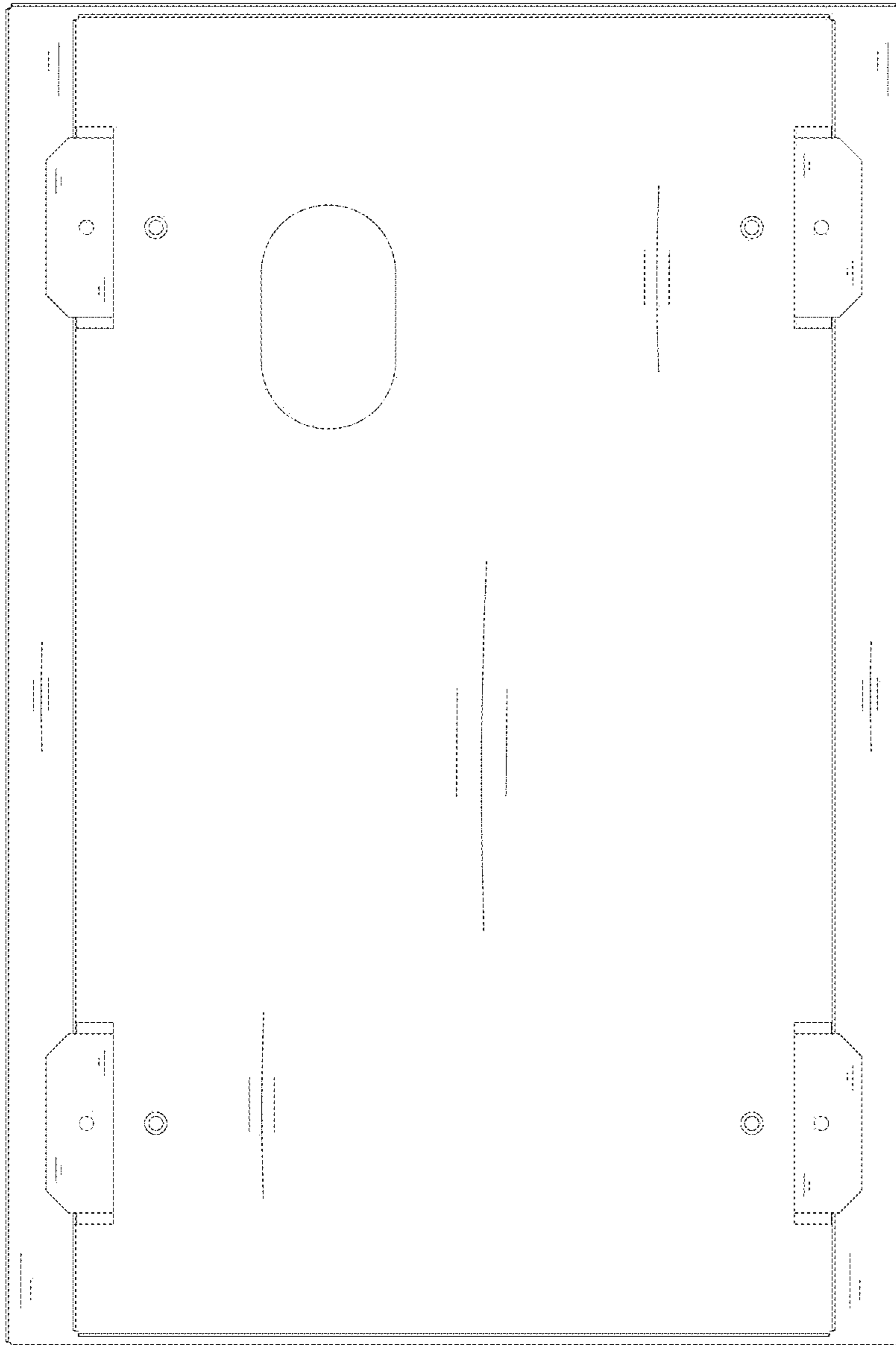


FIG 8