



US00D939067S

(12) **United States Design Patent**  
**Svengalis**

(10) **Patent No.:** **US D939,067 S**

(45) **Date of Patent:** **\*\* Dec. 21, 2021**

- (54) **WINDSHIELD DEICER HOUSING**
- (71) Applicant: **SBCD ENTERPRISES LLC**, Los Angeles, CA (US)
- (72) Inventor: **David Svengalis**, Los Angeles, CA (US)
- (73) Assignee: **SBCD Enterprises LLC**, Los Angeles, CA (US)
- (\*\*) Term: **15 Years**
- (21) Appl. No.: **29/744,175**
- (22) Filed: **Jul. 28, 2020**

- 2,865,514 A \* 12/1958 Goodman ..... D06F 53/045  
211/119.15
- 2,872,047 A \* 2/1959 Ostlund ..... D06F 53/045  
211/119.15
- 2,914,188 A \* 11/1959 Hansen ..... D06F 53/045  
211/119.15
- 2,989,267 A \* 6/1961 Mehl ..... D06F 53/045  
242/384.7
- 3,096,884 A \* 7/1963 Leshner ..... D06F 53/045  
211/119.15
- 3,173,548 A \* 3/1965 Hesener ..... D06F 53/045  
211/119.15
- 3,454,300 A \* 7/1969 Barhorst ..... B60J 11/025  
296/95.1
- 3,477,660 A \* 11/1969 Abraham ..... D06F 53/045  
242/379
- 3,584,745 A \* 6/1971 Wrightson ..... D06F 53/045  
211/119.15
- 3,627,142 A \* 12/1971 Steiner ..... D06F 57/12  
211/119.1
- 3,964,780 A \* 6/1976 Naidu ..... B60J 11/08  
150/168

**Related U.S. Application Data**

- (60) Division of application No. 29/688,847, filed on Apr. 24, 2019, now Pat. No. Des. 893,966, which is a continuation-in-part of application No. 16/393,813, filed on Apr. 24, 2019.

- (51) **LOC (13) Cl.** ..... **12-16**
- (52) **U.S. Cl.**  
USPC ..... **D23/326**; D8/29.2
- (58) **Field of Classification Search**  
USPC ..... D8/14, 29.1, 29.2, 30, 51; D12/155;  
D23/324, 326  
CPC .. H05B 3/84; H05B 1/0236; H05B 2203/031;  
H05B 2203/014; H05B 2203/016; D06F  
53/045  
See application file for complete search history.

(56) **References Cited**

**U.S. PATENT DOCUMENTS**

- 2,206,174 A \* 7/1940 Falk ..... D06F 53/045  
211/119.1
- 2,490,154 A \* 12/1949 Pearson ..... F16G 11/12  
211/119.15

(Continued)

*Primary Examiner* — Philip S Hyder

(74) *Attorney, Agent, or Firm* — Fulwider Patton LLP

(57) **CLAIM**

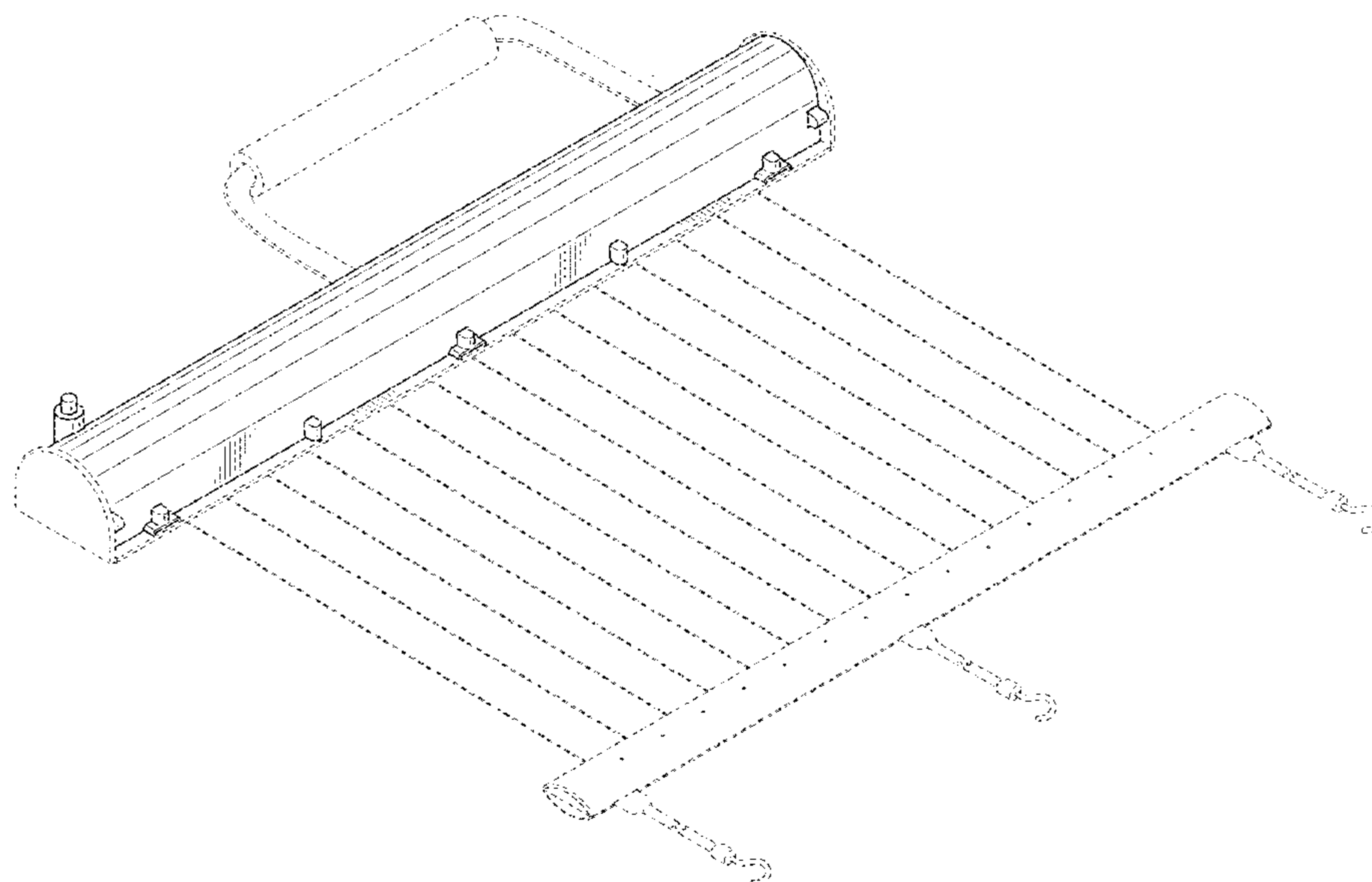
I claim the ornamental design for a windshield deicer housing, as shown and described.

**DESCRIPTION**

FIG. 1. is a top perspective view showing my new design for a windshield deicer housing;  
 FIG. 2. is a bottom view thereof;  
 FIG. 3 is a left hand end view thereof;  
 FIG. 4 is a back view thereof;  
 FIG. 5 is a front view thereof;  
 FIG. 6 is a bottom view thereof; and,  
 FIG. 7 is a top view thereof.

The broken line structure is provided for purposes of environment and forms no part of the claimed design.

**1 Claim, 5 Drawing Sheets**



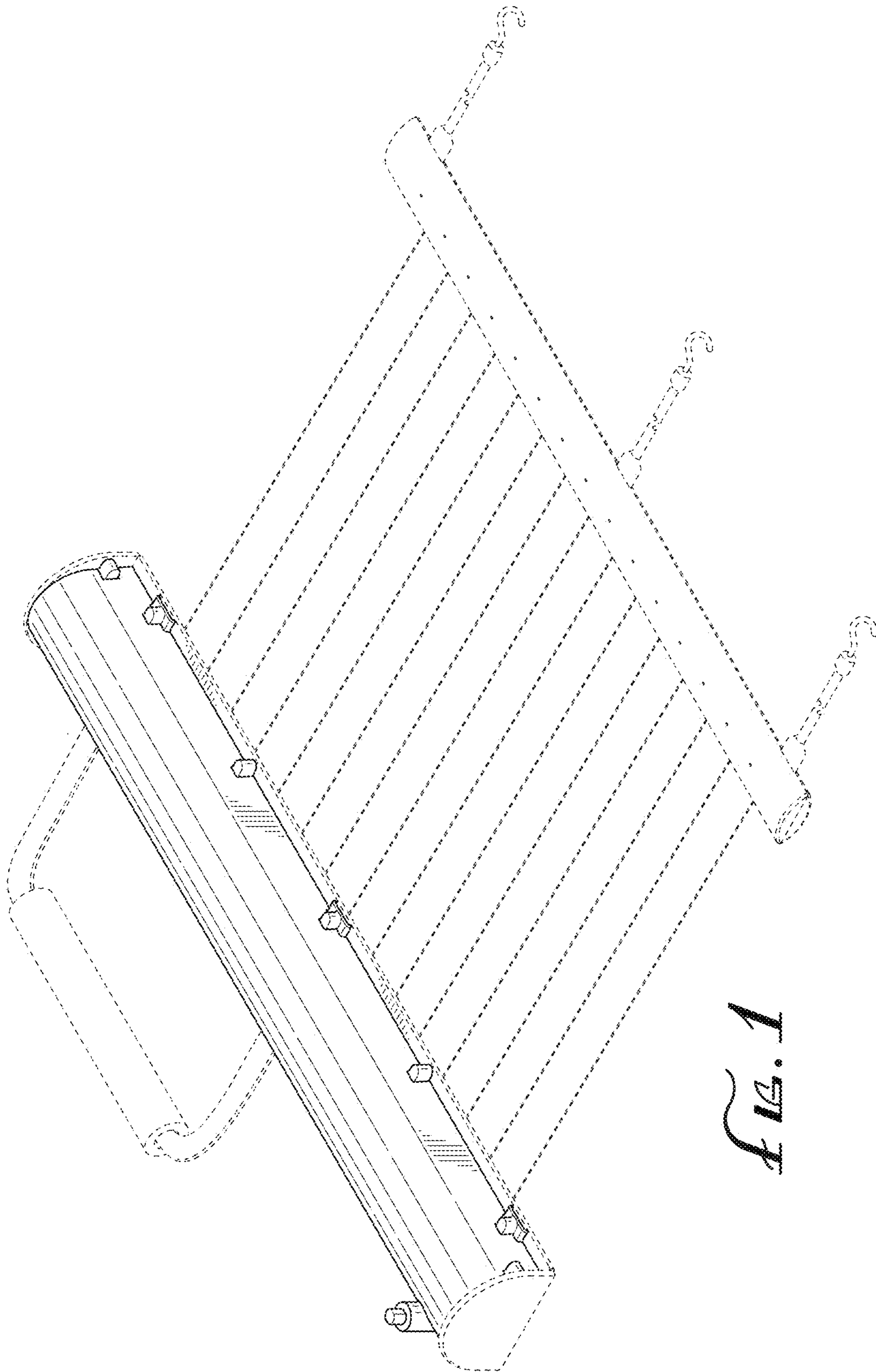
(56)

**References Cited**

U.S. PATENT DOCUMENTS

4,488,033 A \* 12/1984 Trachtenberg ..... H05B 3/84  
156/574  
4,940,317 A \* 7/1990 Reuben ..... A47G 1/02  
219/219  
4,971,848 A \* 11/1990 Ruelle ..... H05B 3/84  
428/38  
5,016,762 A \* 5/1991 Tsabar ..... D06F 53/045  
160/265  
D332,486 S \* 1/1993 Cabral ..... D23/326  
5,615,924 A \* 4/1997 Owen ..... B60J 11/025  
160/370.22  
D397,834 S \* 9/1998 Ho ..... D32/60  
6,237,781 B1 \* 5/2001 Dahl ..... B62H 3/12  
211/17  
8,087,712 B2 \* 1/2012 Svengalis ..... B26D 1/553  
296/96.15  
8,656,632 B1 \* 2/2014 Mercier ..... A01K 91/18  
43/27.4

\* cited by examiner



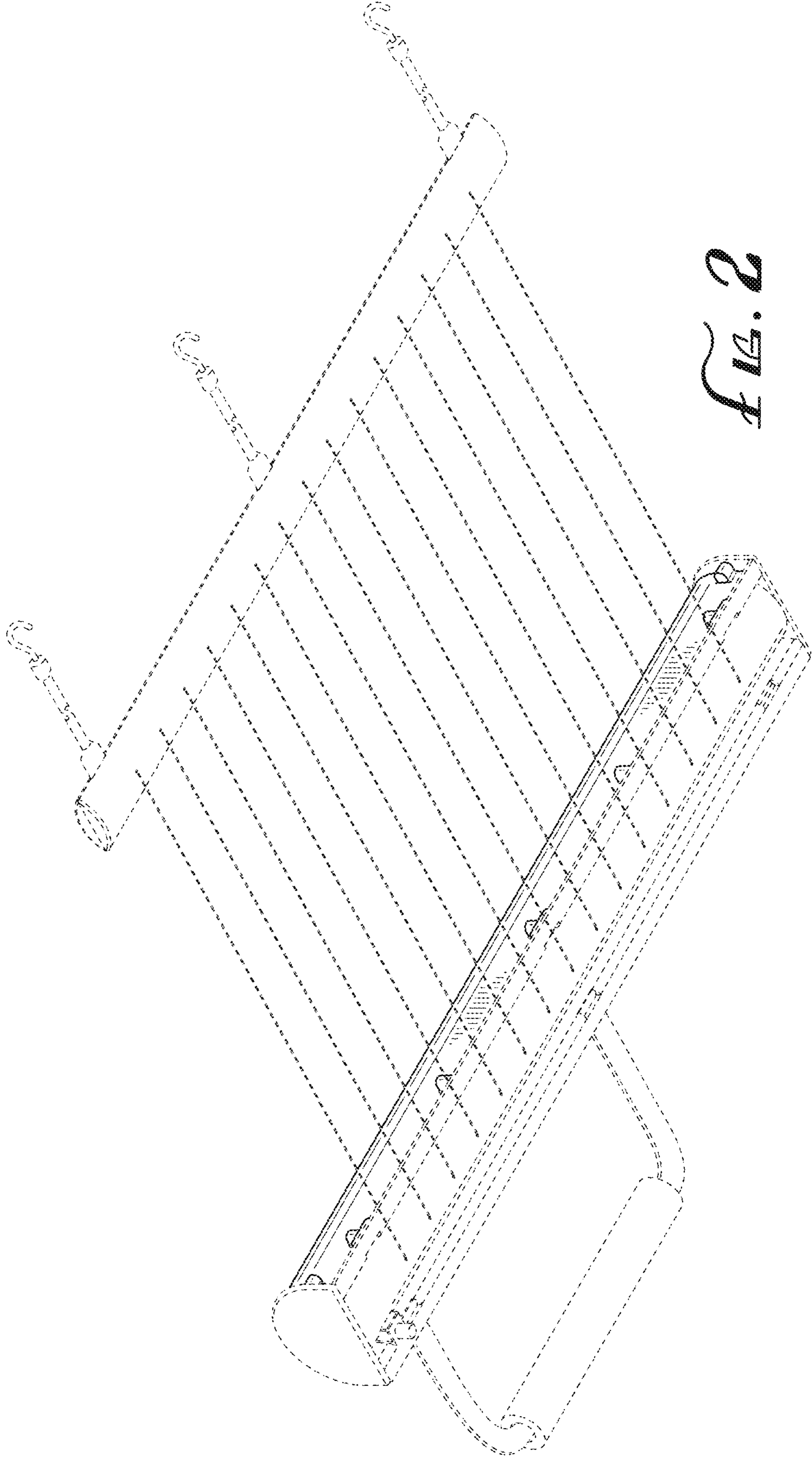


FIG. 2

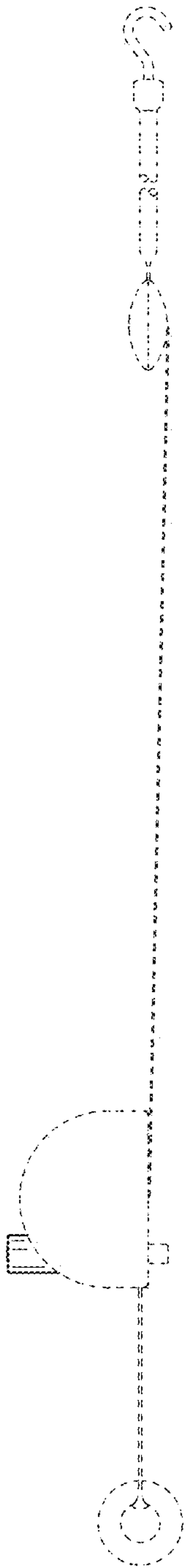


FIG. 3

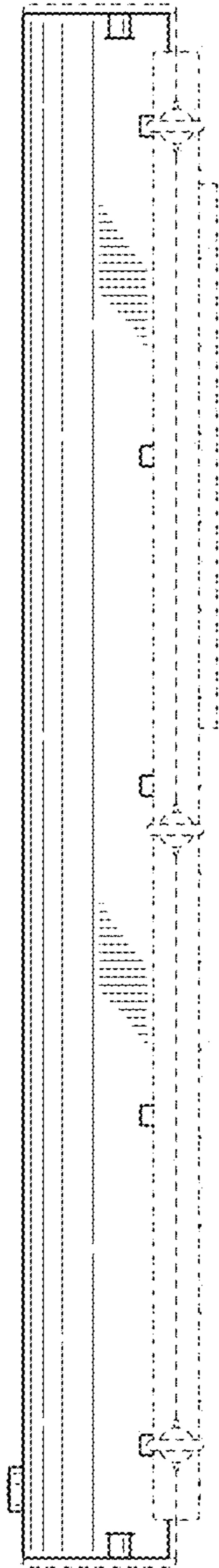


FIG. 4

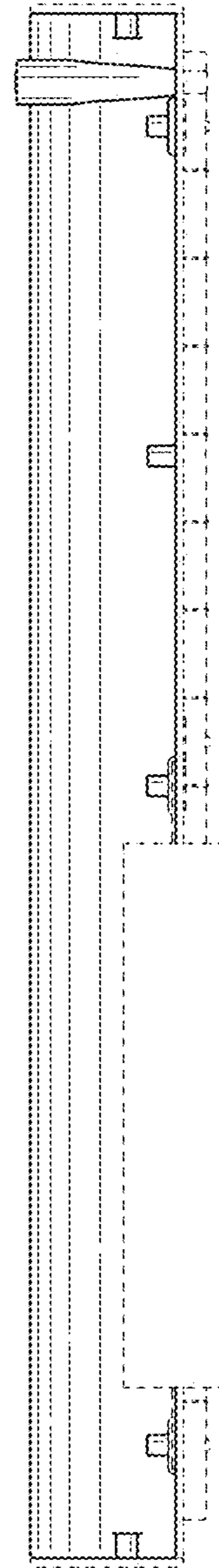


FIG. 5

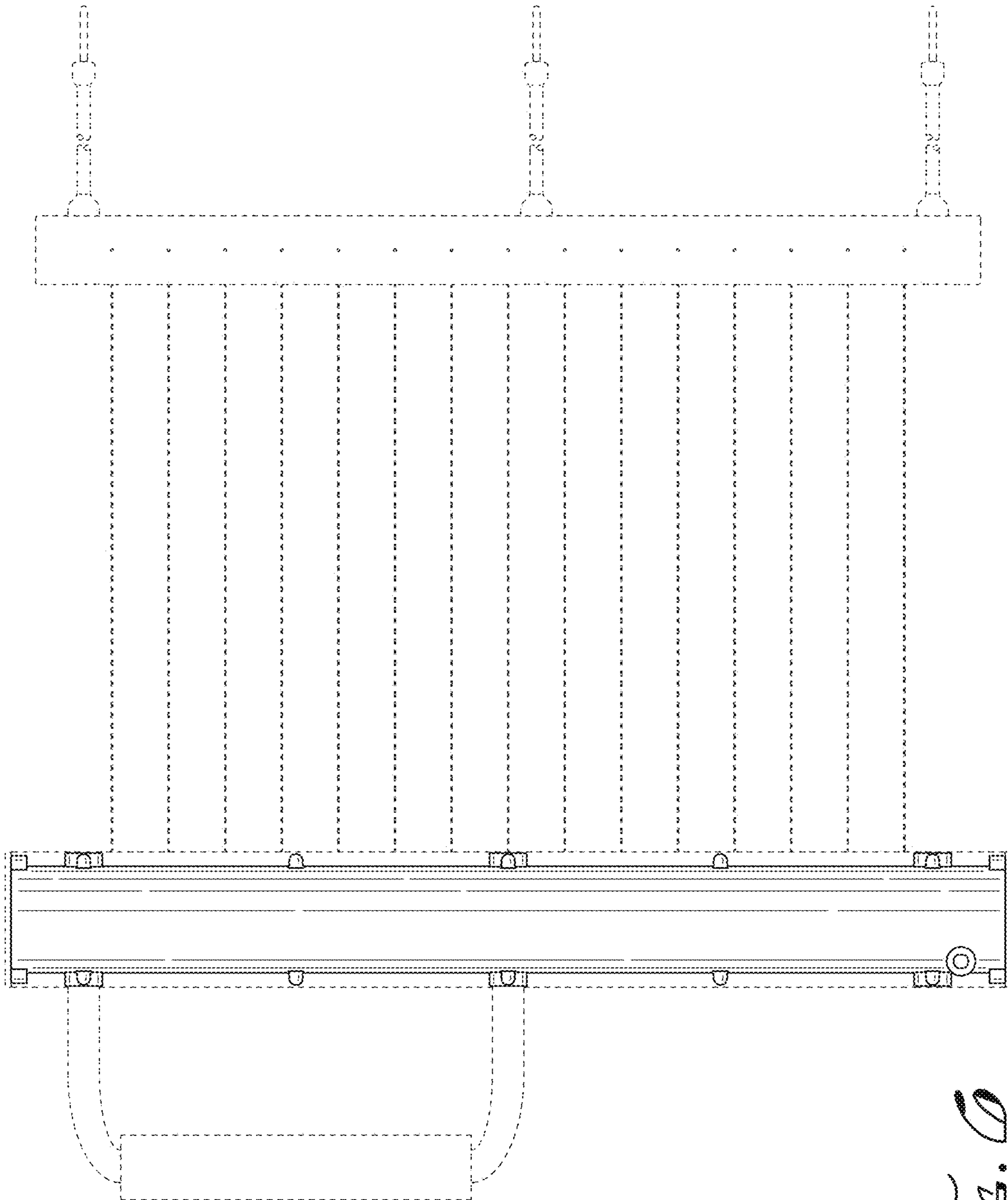


FIG. 10

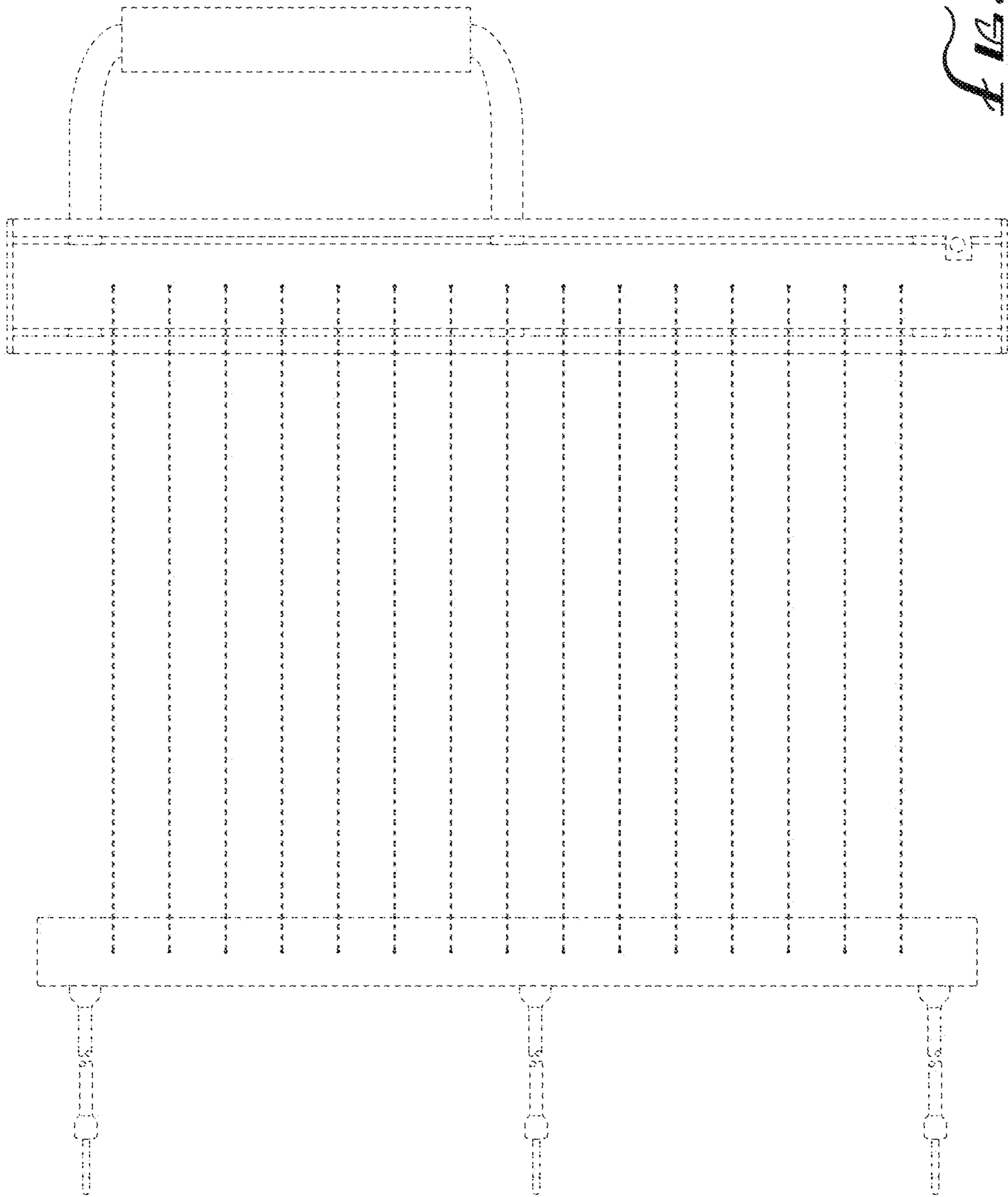


FIG. 7