



US00D939066S

(12) **United States Design Patent** (10) **Patent No.:** **US D939,066 S**
Thorne et al. (45) **Date of Patent:** **** Dec. 21, 2021**

- (54) **LAVATORY BASIN**
- (71) Applicant: **Bradley Fixtures Corporation**,
Menomonee Falls, WI (US)
- (72) Inventors: **Scott Joseph Thorne**, Chicago, IL
(US); **Hyunchul Kim**, Chicago, IL
(US); **William L. Haas**, Richfield, WI
(US); **Cassandra Anne Schneider**,
Oconomowoc, WI (US)
- (73) Assignee: **Bradley Fixtures Corporation**,
Menomonee Falls, WI (US)
- (**) Term: **15 Years**
- (21) Appl. No.: **29/728,130**
- (22) Filed: **Mar. 16, 2020**
- (51) **LOC (13) Cl.** **23-02**
- (52) **U.S. Cl.**
USPC **D23/284**
- (58) **Field of Classification Search**
USPC D23/284, 286–287, 290, 292, 293.1, 308
CPC A47K 1/04; A47B 77/06
See application file for complete search history.

(56) **References Cited**

U.S. PATENT DOCUMENTS

D697,185 S	1/2014	Spangler	
D700,686 S	3/2014	Spangler	
D710,978 S	8/2014	Spangler	
D721,426 S *	1/2015	Bartlett	D23/290
D735,837 S *	8/2015	Bartlett	D23/290
D735,838 S	8/2015	Bartlett et al.	
9,157,223 B2 *	10/2015	Kempen	E03C 1/18
D744,074 S *	11/2015	Adkison	D23/284
D745,120 S	12/2015	Adkison et al.	
D745,122 S	12/2015	Schönherr et al.	
D745,951 S	12/2015	Schönherr et al.	
D803,996 S	11/2017	Brandli	
D804,621 S	12/2017	Brandli	

D809,634 S	2/2018	Brandli
D810,896 S	2/2018	Streng
D810,897 S	2/2018	Streng
D814,613 S	4/2018	Taylor et al.
D823,445 S	6/2018	Adkison
D825,038 S	8/2018	Corpuz
D841,785 S	2/2019	Adkison et al.
D849,213 S	5/2019	Wano

(Continued)

Primary Examiner — Robert A Delehanty

(74) *Attorney, Agent, or Firm* — Boyle Fredrickson, S.C.

(57) **CLAIM**

The ornamental design for a lavatory basin, substantially as shown and described.

DESCRIPTION

FIG. 1 is a front, raised perspective view of a lavatory basin according to the invention;

FIG. 2 is a front view of the lavatory basin according to FIG. 1;

FIG. 3 is a rear view of the lavatory system according to FIG. 1;

FIG. 4 is a right side view of the lavatory system according to FIG. 1;

FIG. 5 is a left side view of the lavatory system according to FIG. 1;

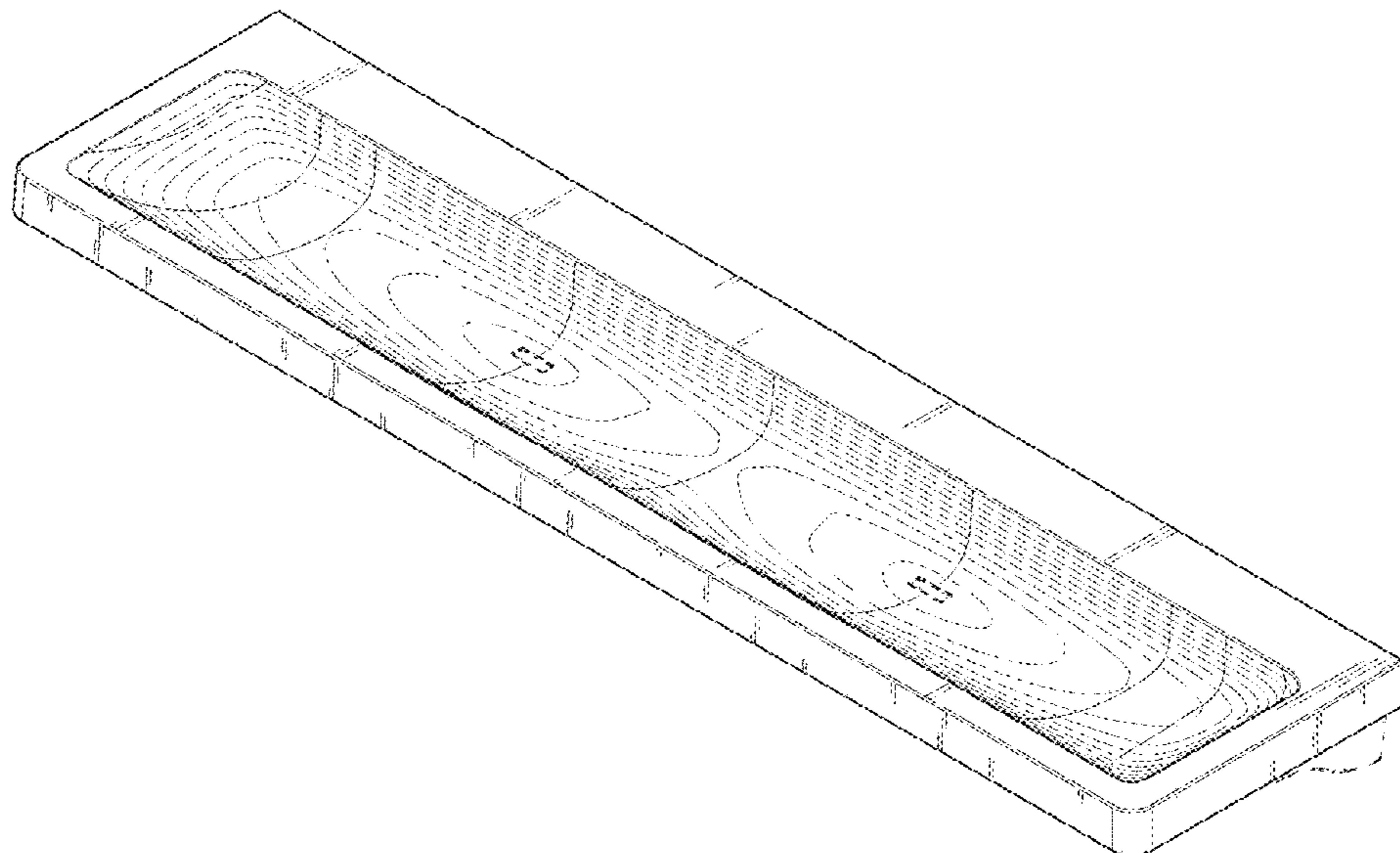
FIG. 6 is a top view of the lavatory system according to FIG. 1;

FIG. 7 is a bottom view of the lavatory system according to FIG. 1; and,

FIG. 8 is a cross-sectional view of the lavatory system according to FIG. 6 taken along line 8-8.

The broken lines shown in the drawings form no part of the claimed design. The surface shading illustrated in the drawings is provided merely to highlight the contour of the design and is not part of the claimed design. All surfaces not shown form no part of the claimed design.

1 Claim, 7 Drawing Sheets



(56)

References Cited

U.S. PATENT DOCUMENTS

RE47,467 E *	7/2019	Bartlett	A47K 1/04
			D23/290
D861,143 S	9/2019	Taylor et al.	
D869,622 S	10/2019	Streng	
D890,311 S *	7/2020	Belozerova	D23/290
D892,990 S *	8/2020	Thorne	D23/293.1
D913,457 S *	3/2021	Haas	D23/290

* cited by examiner

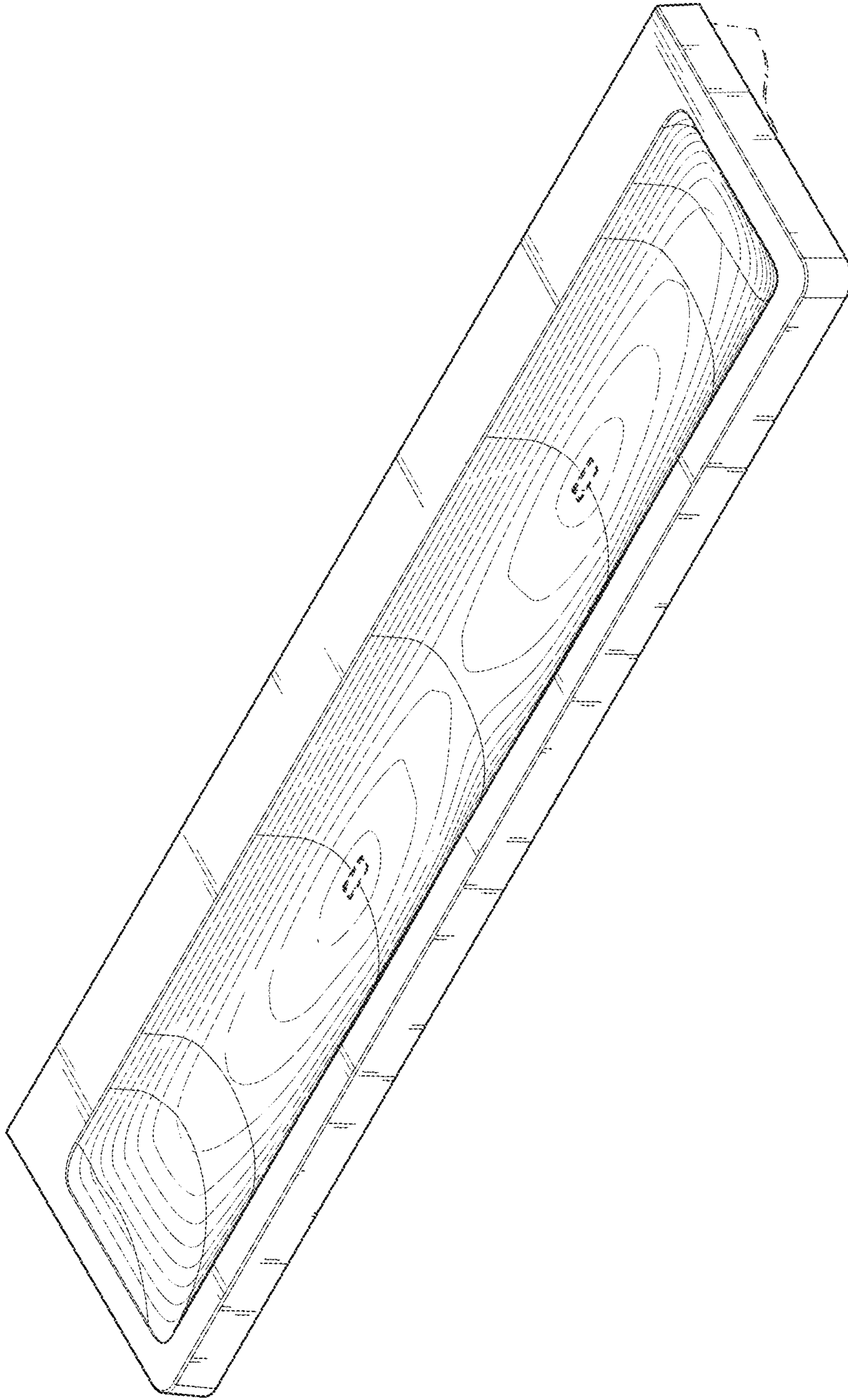


FIG. 1

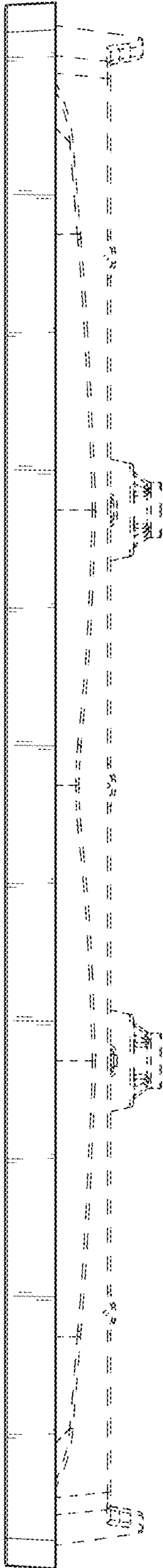


FIG. 2

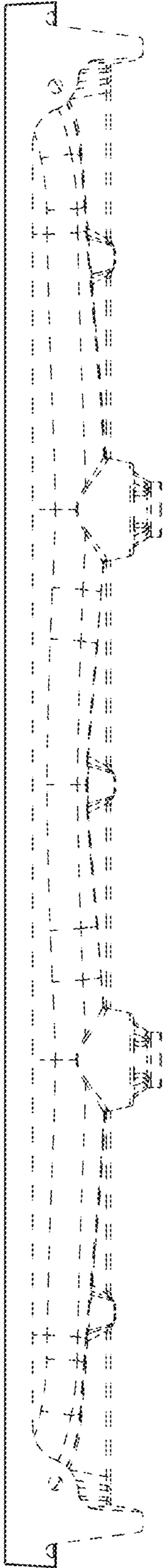


FIG. 3

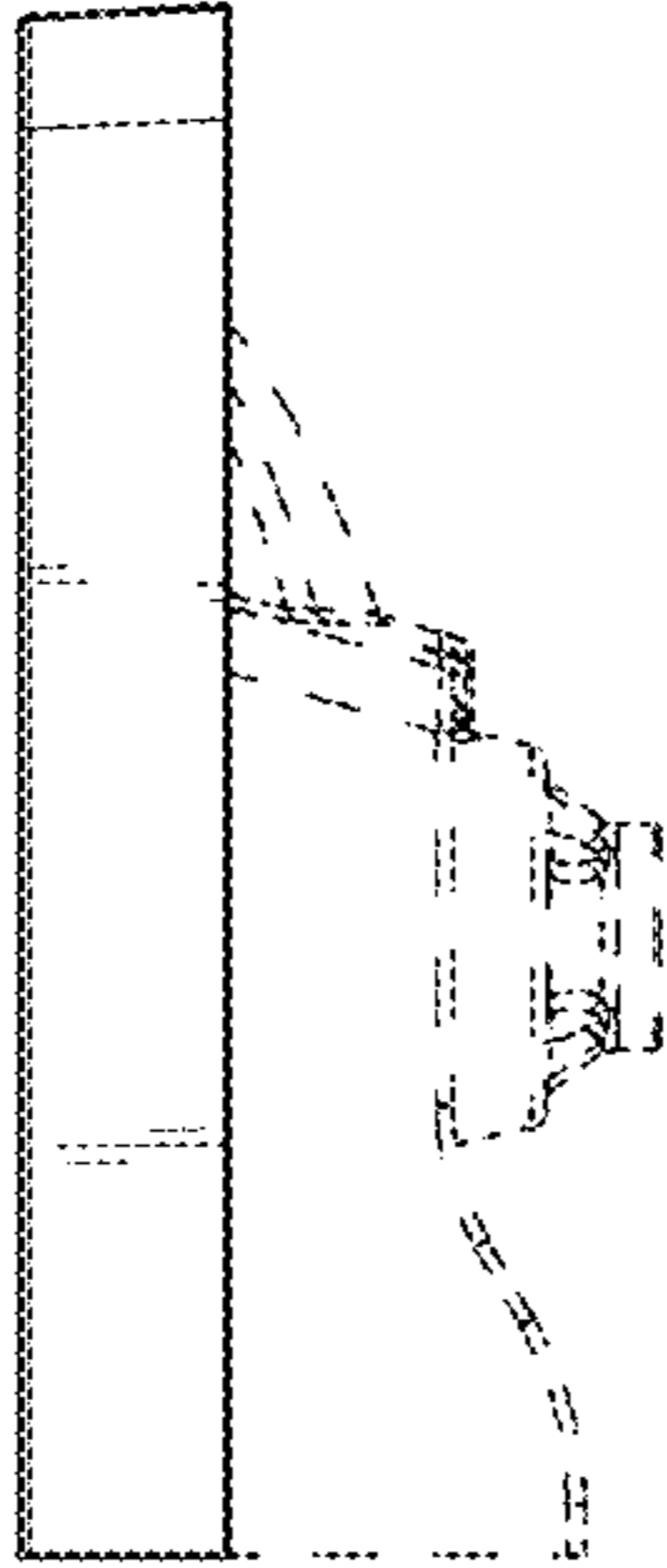


FIG. 5

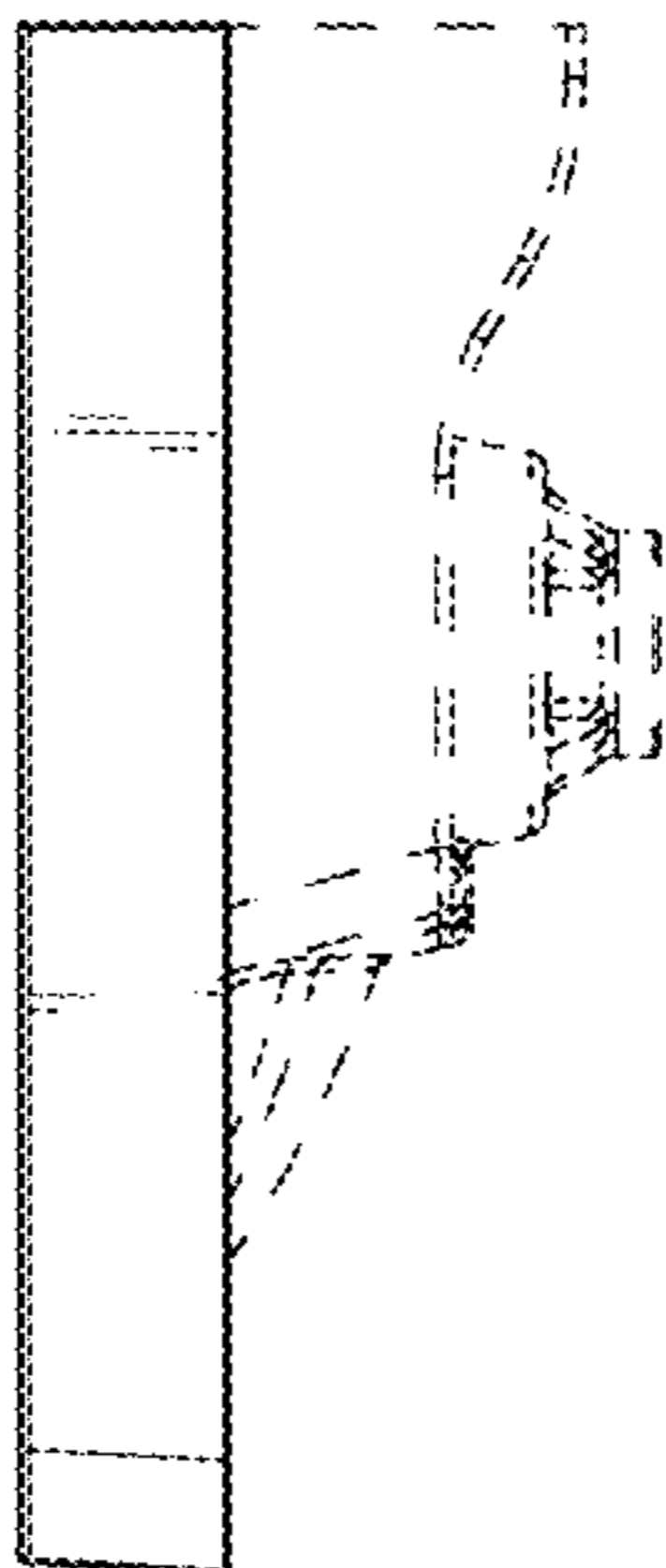


FIG. 4

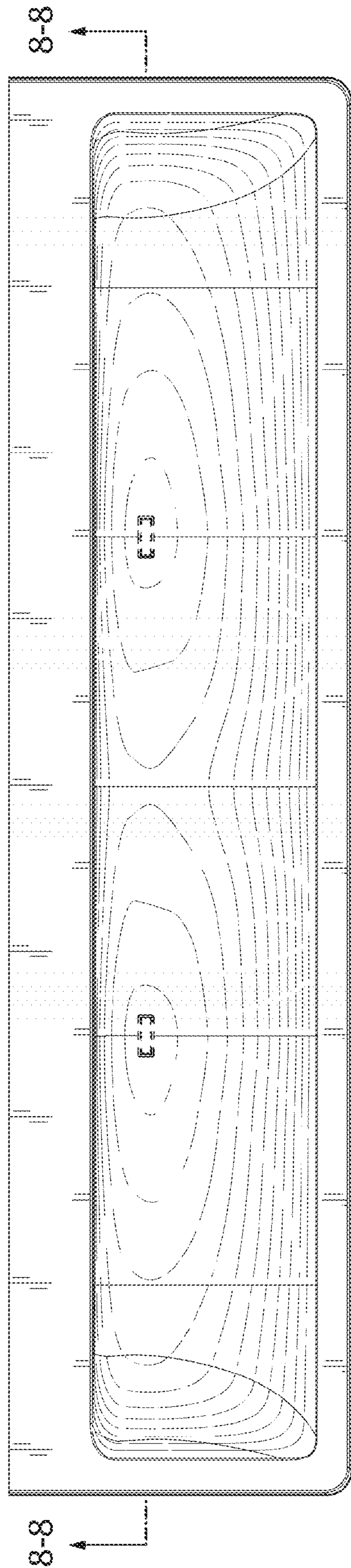


FIG. 6

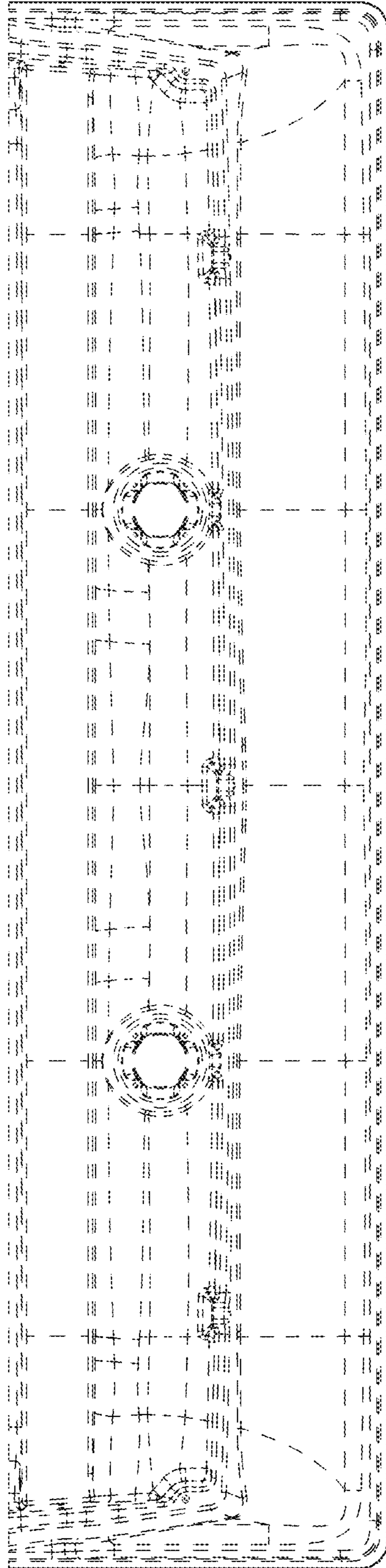


FIG. 7

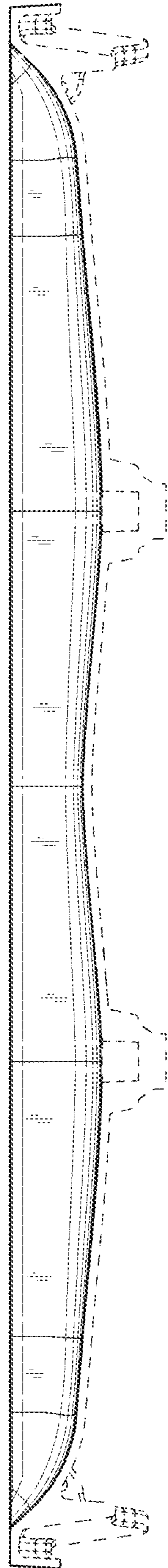


FIG. 8