



US00D939065S

(12) **United States Design Patent** (10) **Patent No.:** **US D939,065 S**  
**Holzmann et al.** (45) **Date of Patent:** **\*\* Dec. 21, 2021**

- (54) **WASH BASIN**
- (71) Applicant: **Bradley Corporation**, Menomonee Falls, WI (US)
- (72) Inventors: **Simon Holzmann**, Zorneding (DE); **Stefan Hillenmayer**, Munich (DE); **Ning Zhou**, Munich (DE)
- (73) Assignee: **Bradley Corporation**, Menomonee Falls, WI (US)
- (\*\*) Term: **15 Years**
- (21) Appl. No.: **29/711,016**
- (22) Filed: **Oct. 28, 2019**
- (51) **LOC (13) Cl.** ..... **23-02**
- (52) **U.S. Cl.**  
USPC ..... **D23/284**
- (58) **Field of Classification Search**  
USPC ..... D23/284, 286-287, 290, 292, 293.1, 308  
CPC ..... A47K 1/04; A47B 77/06  
See application file for complete search history.

(56) **References Cited**

**U.S. PATENT DOCUMENTS**

- D545,415 S \* 6/2007 Tani ..... D23/293.1
- D625,792 S 10/2010 Rundberg et al.
- D629,887 S 12/2010 Rundberg
- D633,992 S 3/2011 Rundberg et al.
- D640,778 S 6/2011 Rundberg
- D642,664 S 8/2011 Rundberg et al.
- D649,232 S 11/2011 Rundberg
- D745,120 S \* 12/2015 Adkison ..... D23/284

- D745,122 S \* 12/2015 Schonherr ..... D23/284
- D745,951 S \* 12/2015 Schonherr ..... D23/284
- D791,289 S \* 7/2017 Danelon ..... D23/293.1
- D813,360 S 3/2018 Murray et al.
- D823,445 S \* 7/2018 Adkison ..... D23/290
- D823,996 S 7/2018 Murray et al.
- D823,997 S 7/2018 Murray et al.
- D824,497 S 7/2018 Murray et al.
- D854,129 S 7/2019 Kluck et al.
- D913,457 S \* 3/2021 Haas ..... D23/290
- 2021/0123222 A1\* 4/2021 Danielsson Spogardh ..... E03C 1/14
- 2021/0164206 A1\* 6/2021 Baba ..... E03C 1/14

\* cited by examiner

*Primary Examiner* — Robert A Delehanty

(74) *Attorney, Agent, or Firm* — Boyle Fredrickson, S.C.

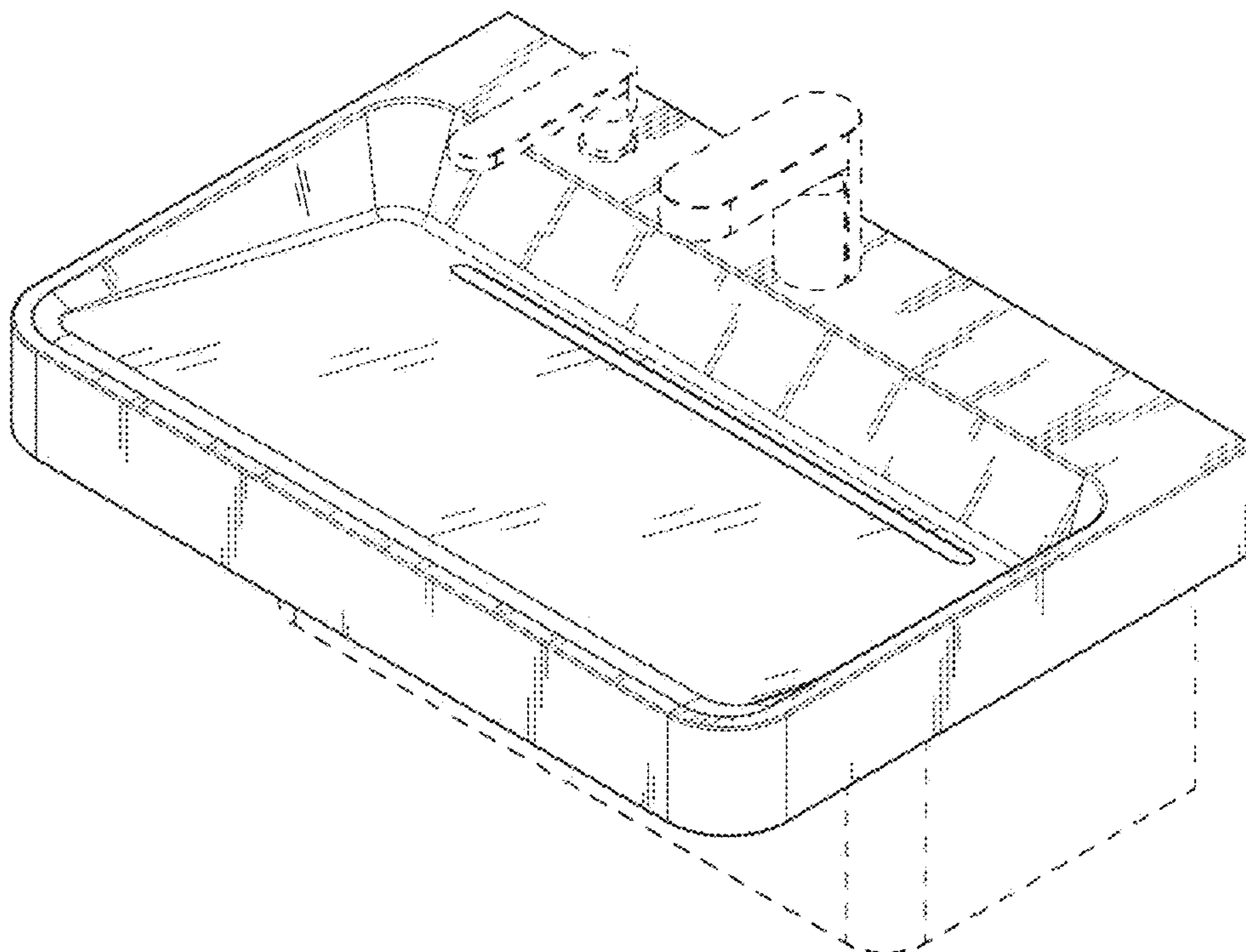
(57) **CLAIM**

The ornamental design for a wash basin, substantially as shown and described.

**DESCRIPTION**

FIG. 1 is a front, raised perspective view of a wash basin according to the invention;  
 FIG. 2 is a front view of the wash basin of FIG. 1;  
 FIG. 3 is a rear view of the wash basin of FIG. 1;  
 FIG. 4 is a right side view of the wash basin of FIG. 1;  
 FIG. 5 is a left side view of the wash basin of FIG. 1;  
 FIG. 6 is a top view of the wash basin of FIG. 1; and,  
 FIG. 7 is a bottom view of the wash basin of FIG. 1.  
 The broken lines shown in the drawings form no part of the claimed design. All surfaces not shown form no part of the claimed design.

**1 Claim, 7 Drawing Sheets**



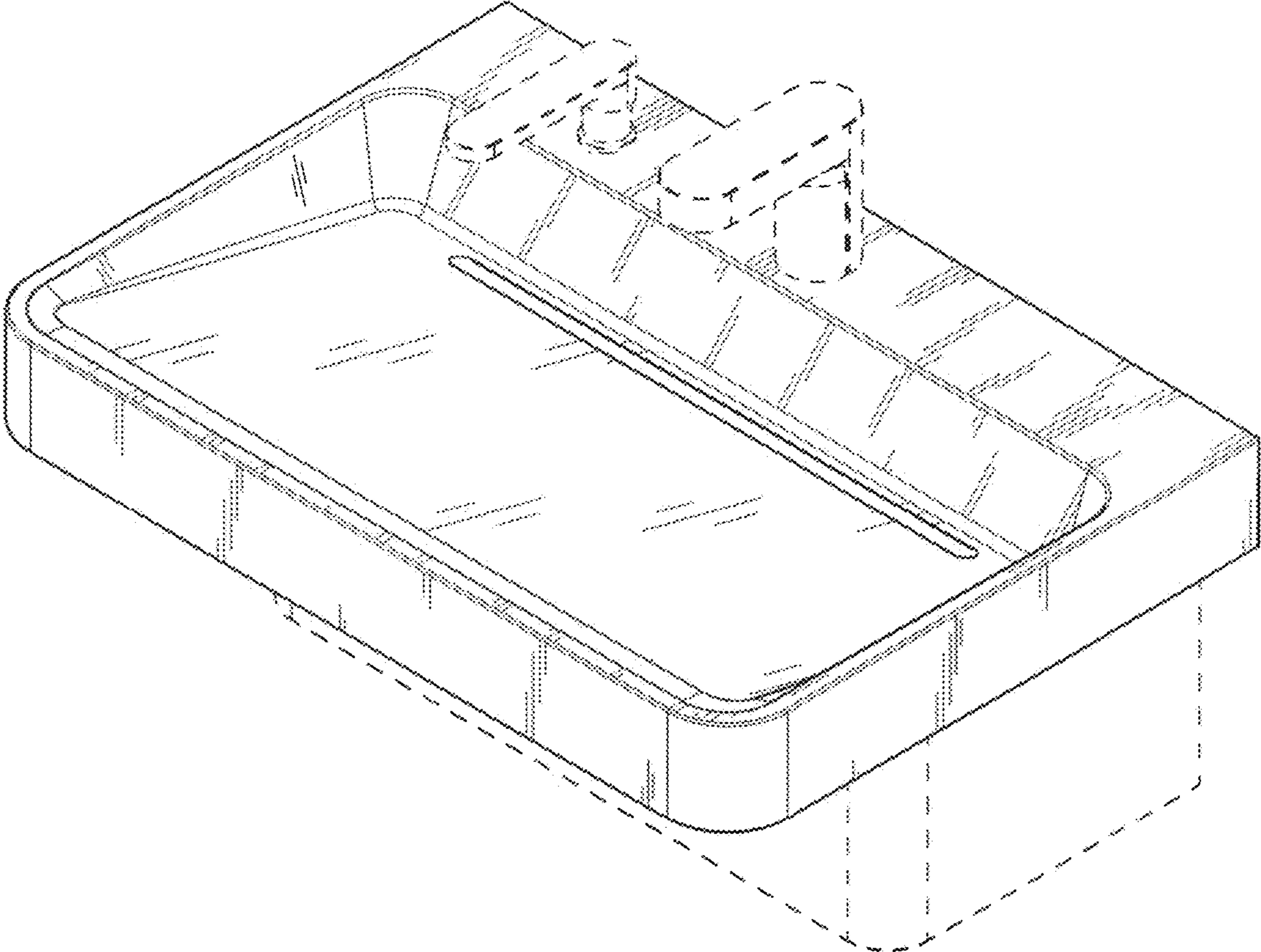


FIG. 1

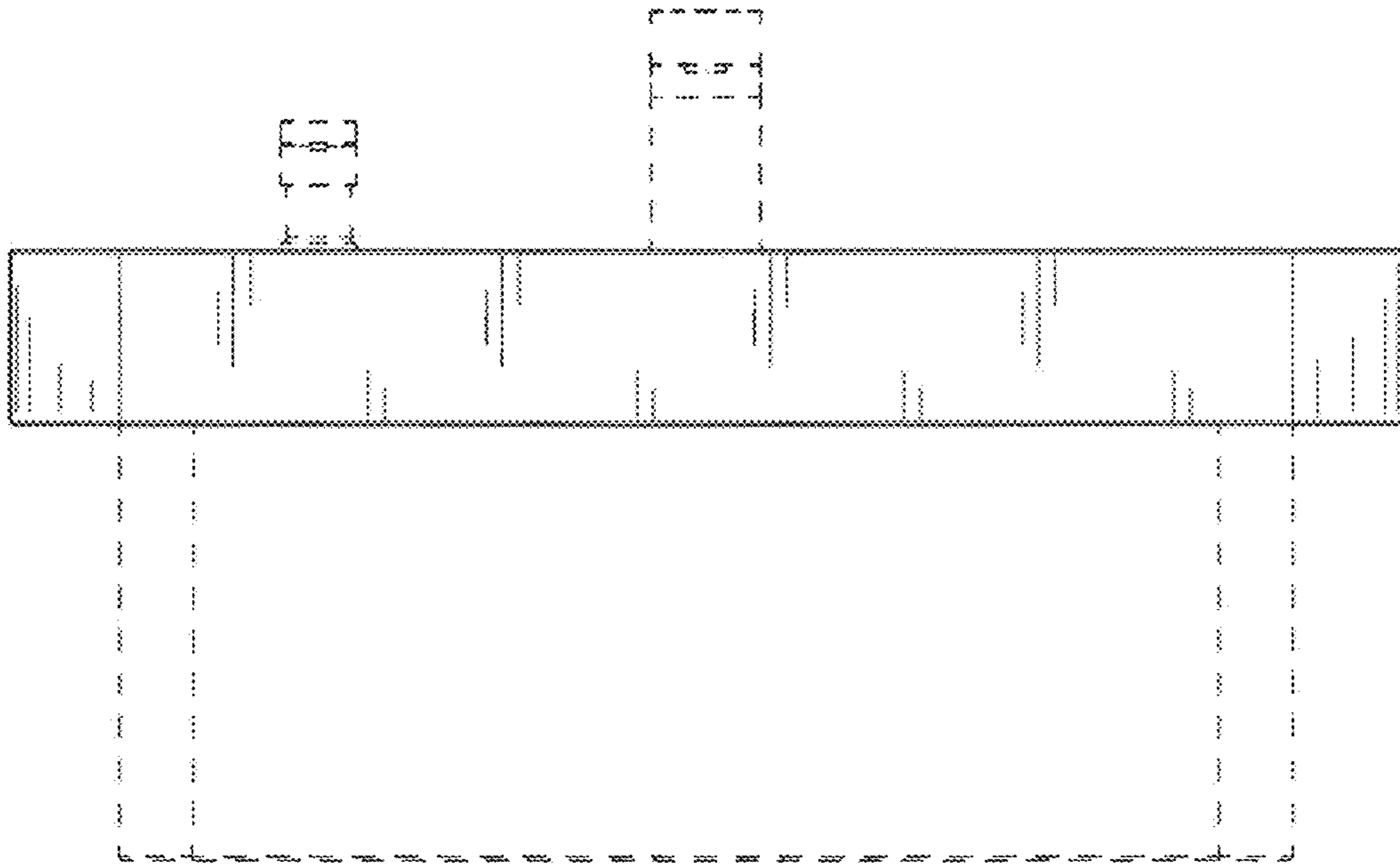


FIG. 2

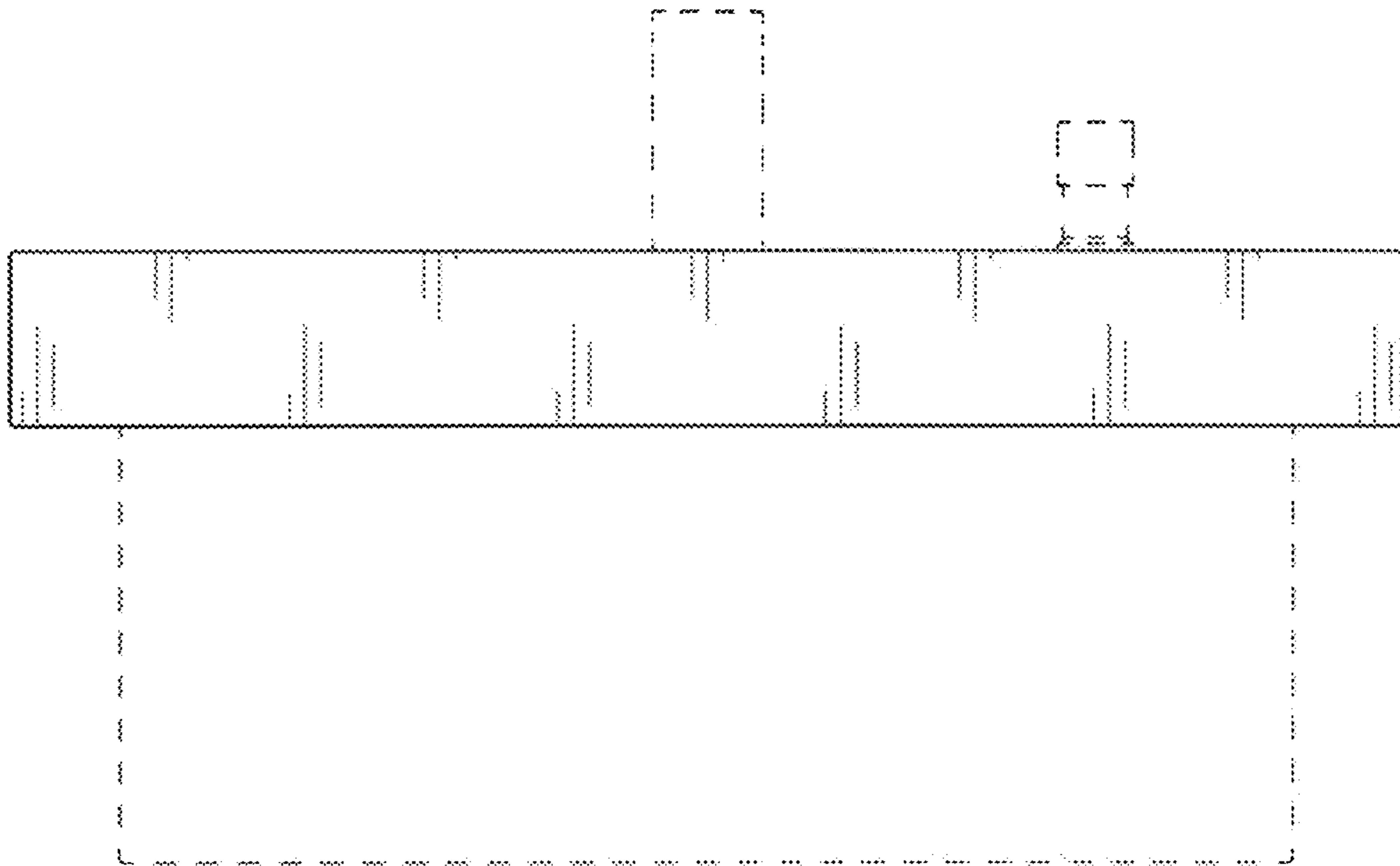


FIG. 3

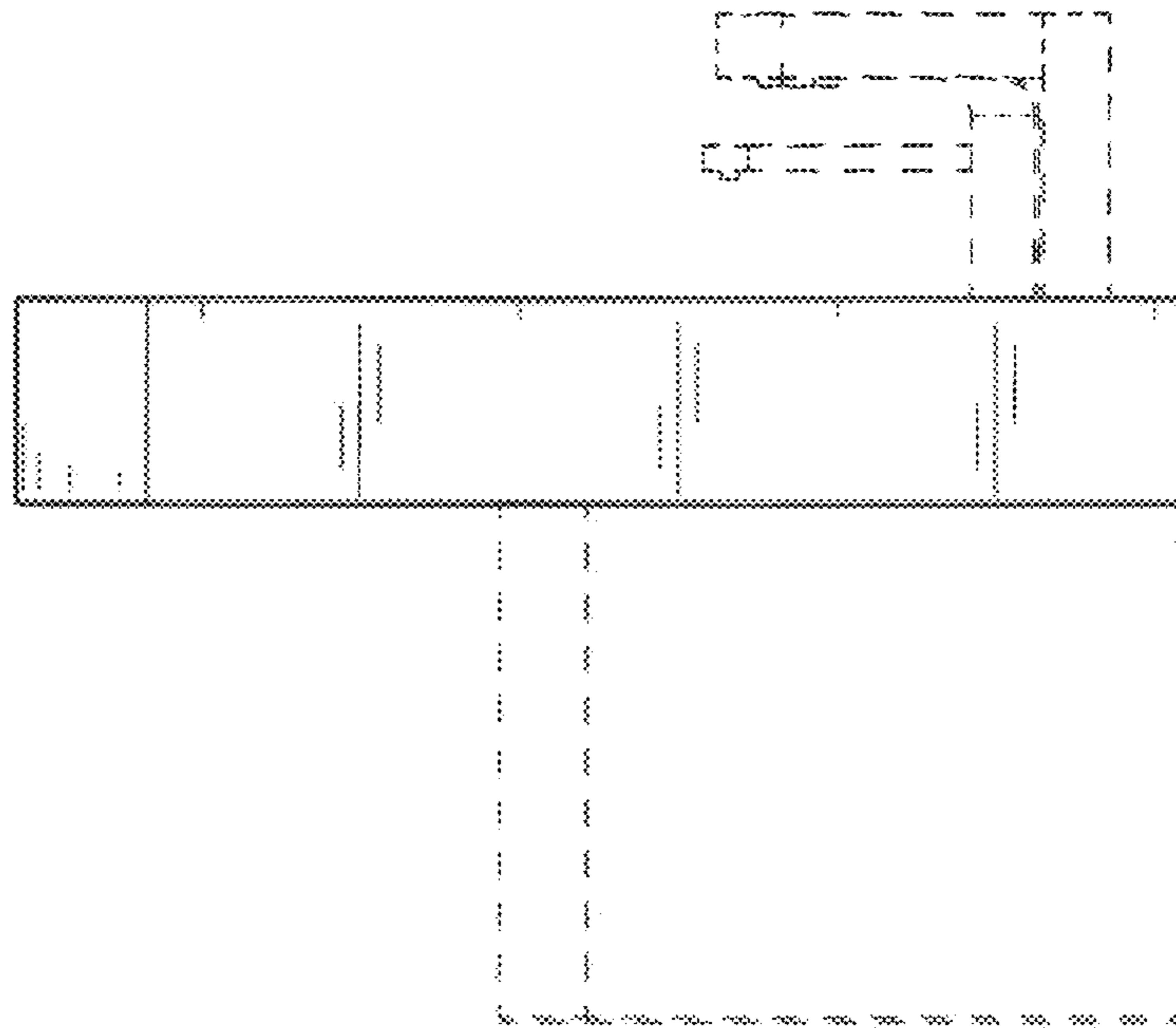


FIG. 4

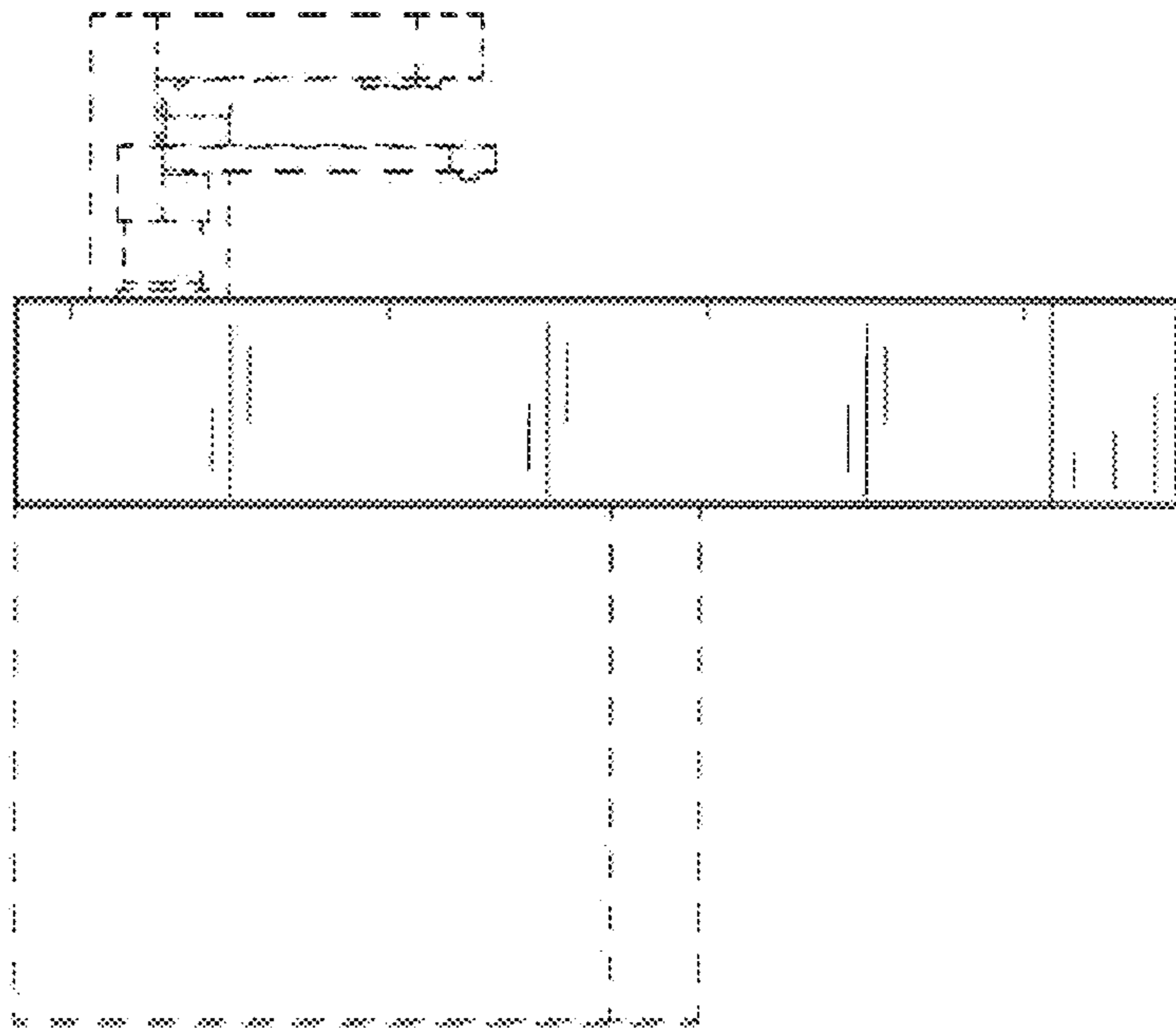


FIG. 5

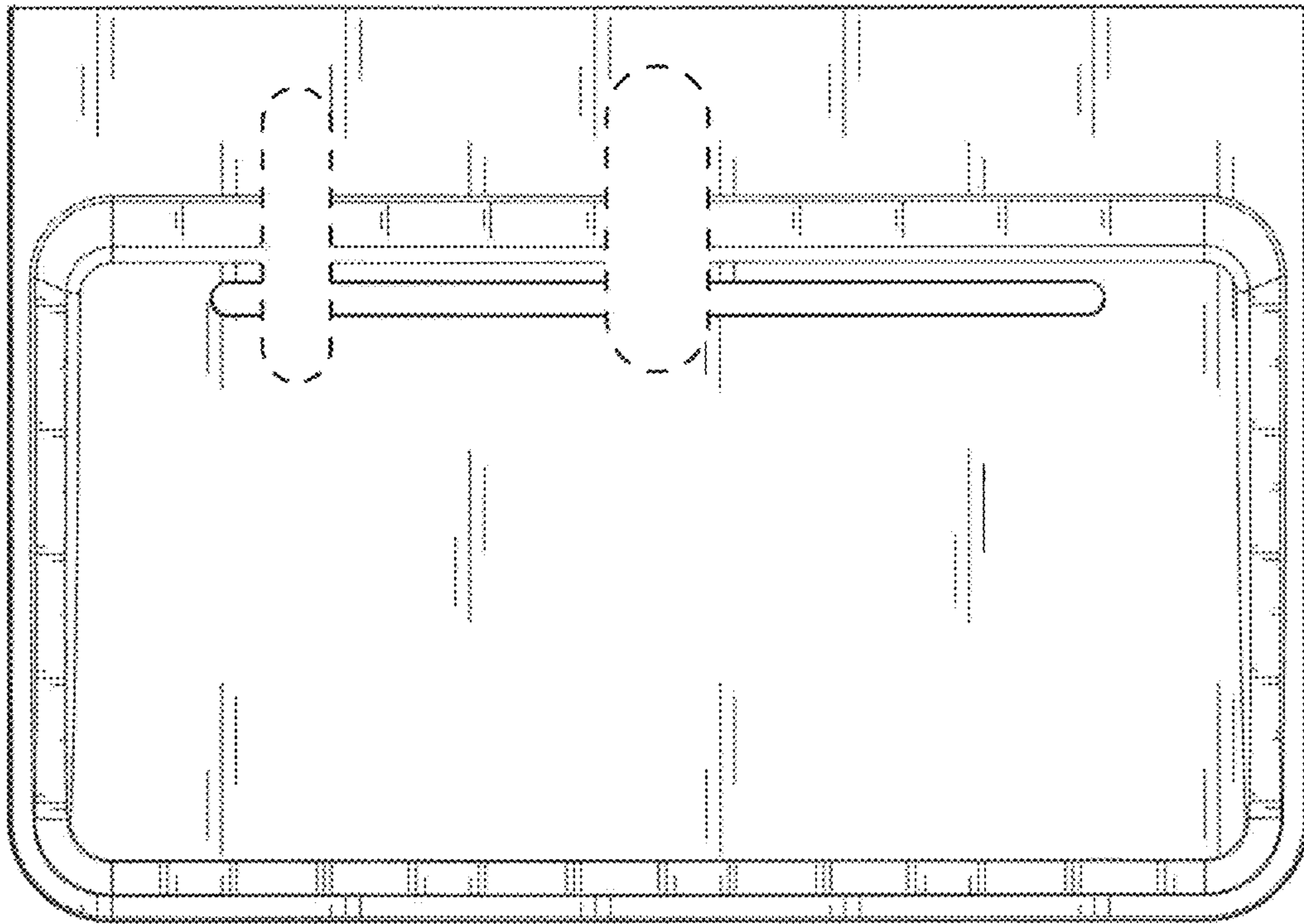


FIG. 6

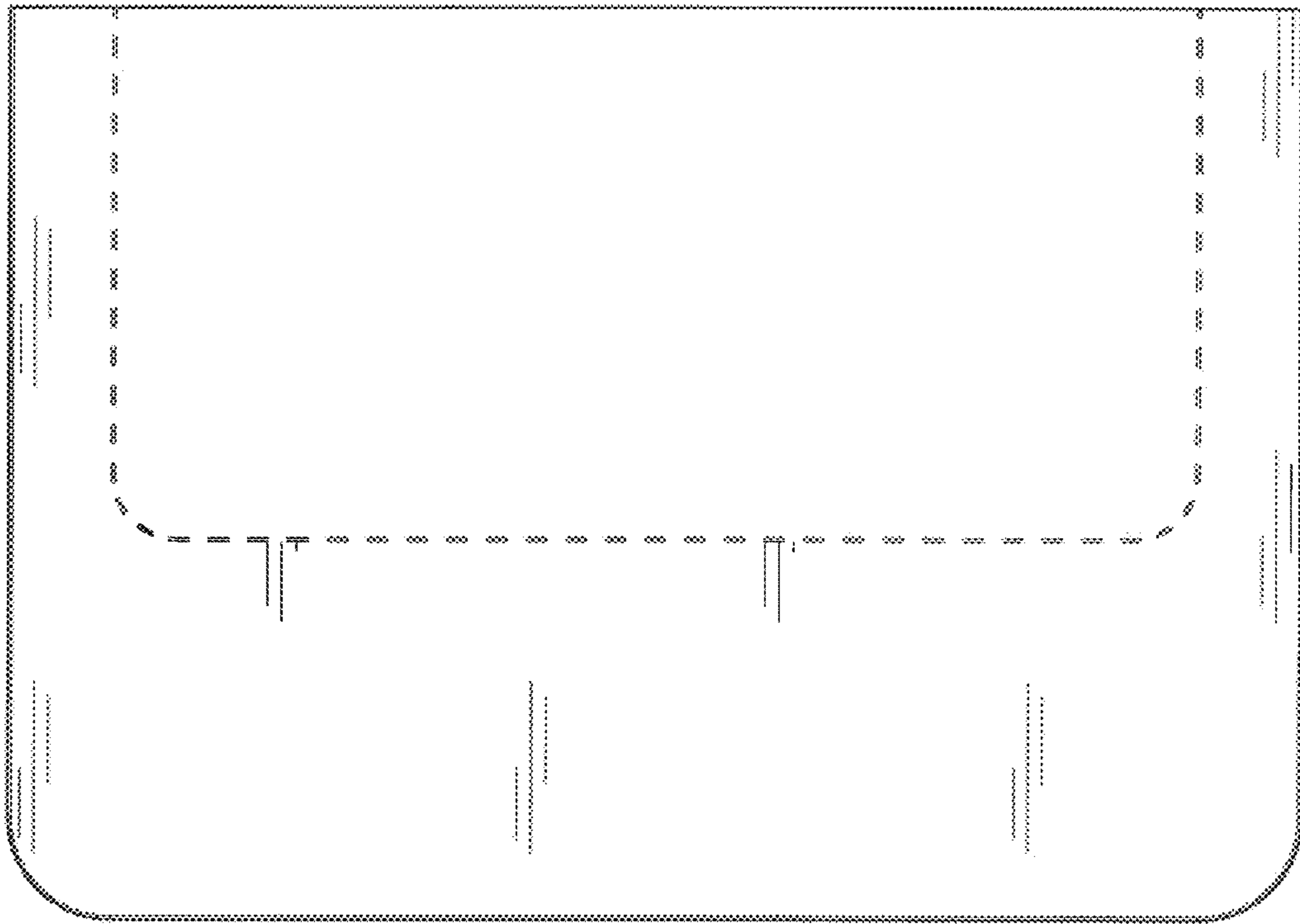


FIG. 7