



US00D939064S

(12) **United States Design Patent** (10) **Patent No.:** **US D939,064 S**
Doubet et al. (45) **Date of Patent:** **** Dec. 21, 2021**

- (54) **UNDERMOUNT SINK BASIN**
- (71) Applicant: **Bradley Fixtures Corporation**,
Menomonee Falls, WI (US)
- (72) Inventors: **Eric William Doubet**, Oak Creek, WI (US); **Scott Michael Kluck**, Mequon, WI (US); **William L. Haas**, Richfield, WI (US)
- (73) Assignee: **Bradley Fixtures Corporation**,
Menomonee Falls, WI (US)
- (**) Term: **15 Years**
- (21) Appl. No.: **29/697,501**
- (22) Filed: **Jul. 9, 2019**
- (51) **LOC (13) Cl.** **23-02**
- (52) **U.S. Cl.**
USPC **D23/284**
- (58) **Field of Classification Search**
USPC D23/284, 286–287, 290, 292, 293.1, 308
CPC A47K 1/04; A47B 77/06
See application file for complete search history.

(56) **References Cited**

U.S. PATENT DOCUMENTS

D366,102 S *	1/1996	Bonnell	D23/284
D468,815 S *	1/2003	Kahle	D23/284
D545,415 S *	6/2007	Tani	D23/293.1
D629,877 S *	12/2010	Rundberg	D23/308
D745,120 S *	12/2015	Adkison	D23/284
D796,651 S *	9/2017	Ziemann	D23/293.1
D841,785 S *	2/2019	Adkison	D23/284
D881,360 S *	4/2020	Kluck	D23/284
D912,785 S *	3/2021	Davis	D23/284
D913,457 S *	3/2021	Haas	D23/290

2020/0046172 A1* 2/2020 Loberger A47K 5/12
2021/0112978 A1* 4/2021 Miller E03C 1/182
2021/0123222 A1* 4/2021 Danielsson Spogardh
E03C 1/14

* cited by examiner

Primary Examiner — Robert A Delehanty
(74) *Attorney, Agent, or Firm* — Boyle Fredrickson S.C.

(57) **CLAIM**

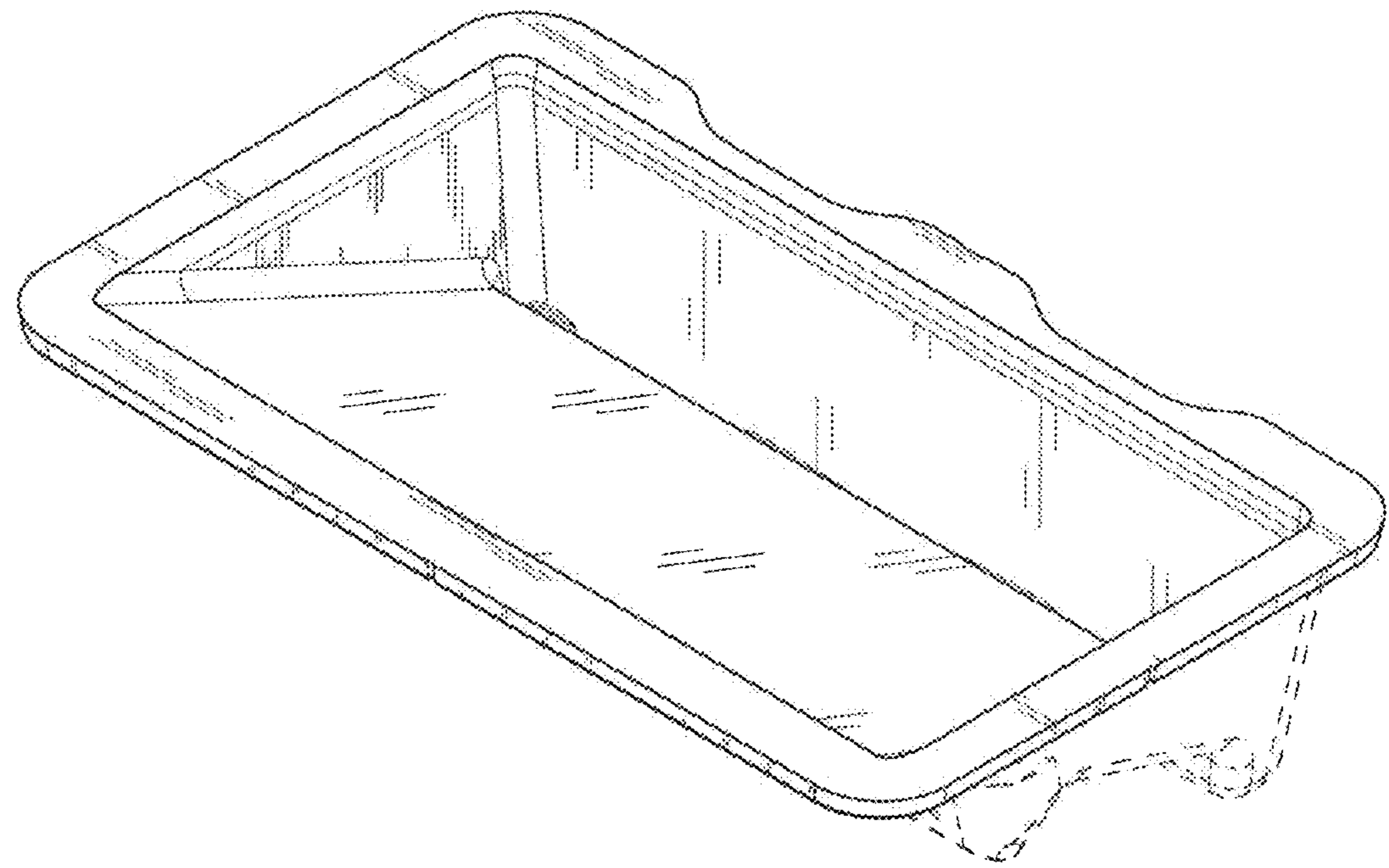
The ornamental design for a undermount sink basin, substantially as shown and described.

DESCRIPTION

FIG. 1 is a front, raised perspective view of an undermount sink basin according to the invention;
FIG. 2 is a front view of the undermount sink basin according to FIG. 1;
FIG. 3 is a rear view of the undermount sink basin according to FIG. 1;
FIG. 4 is a left side view of the undermount sink basin according to FIG. 1;
FIG. 5 is a right side view of the undermount sink basin according to FIG. 1;
FIG. 6 is a top side view of the undermount sink basin according to FIG. 1;
FIG. 7 is a bottom side view of the undermount sink basin according to FIG. 1; and,
FIG. 8 is a cross-sectional view of the undermount sink basin according to FIG. 1.

The broken lines shown in the drawings form no part of the claimed design. The surface shading illustrated in the drawings is provided merely to highlight the contour of the design and is not part of the claimed design. All surfaces not shown form no part of the claimed design.

1 Claim, 7 Drawing Sheets



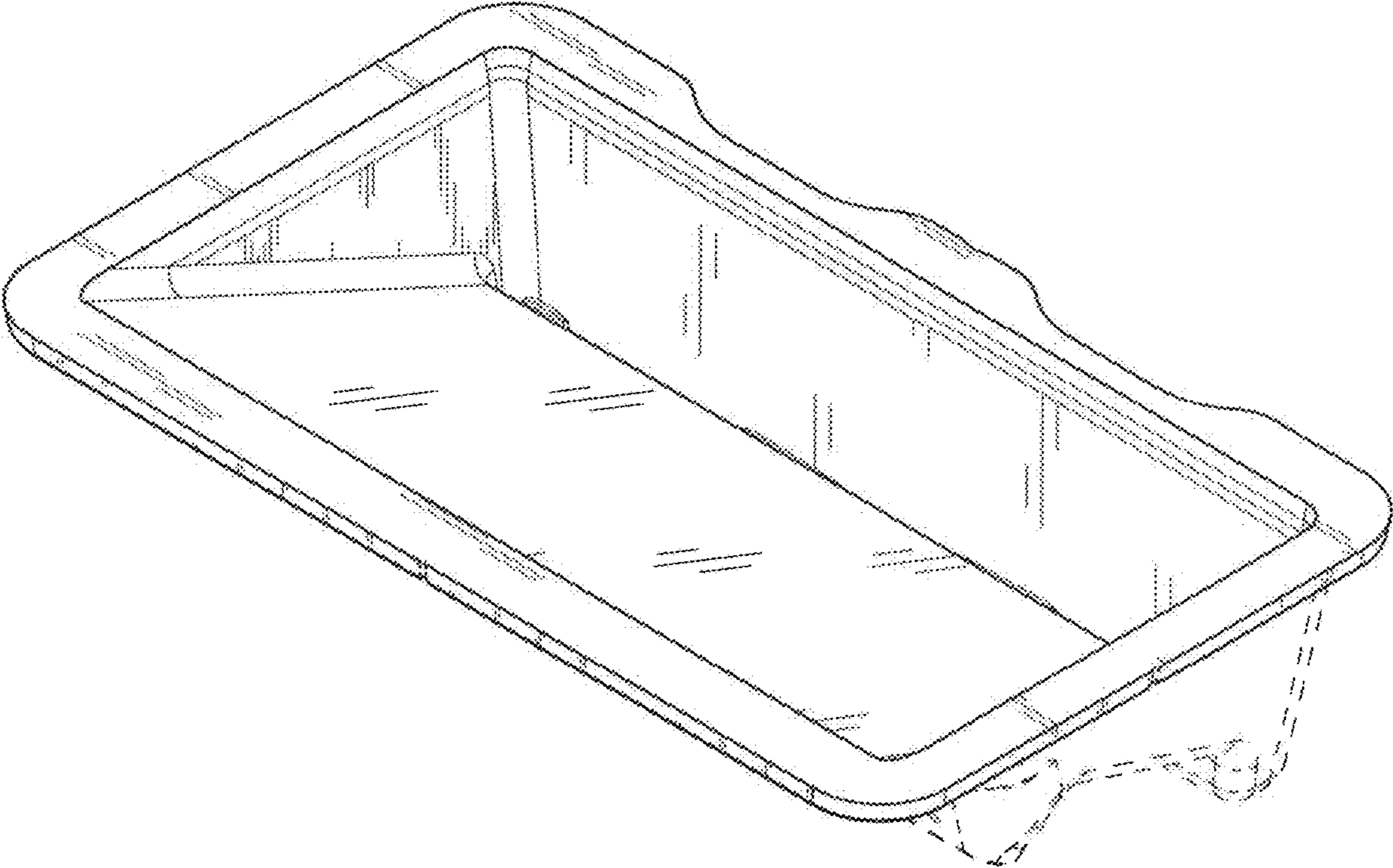


FIG. 1

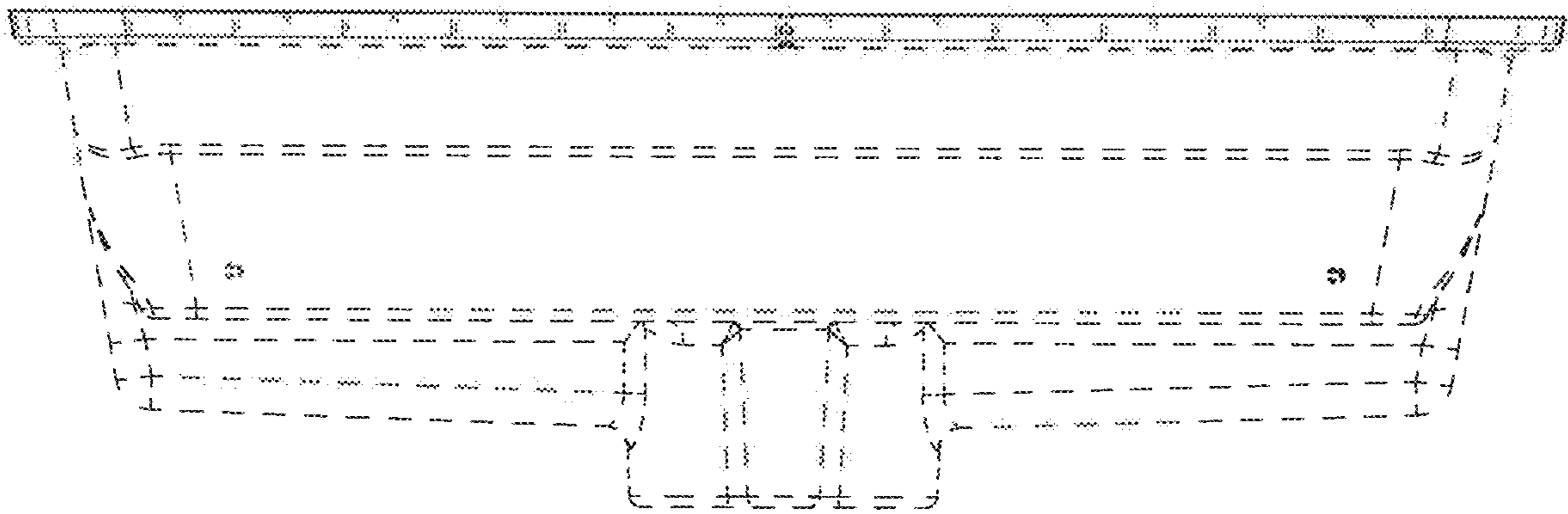


FIG. 2

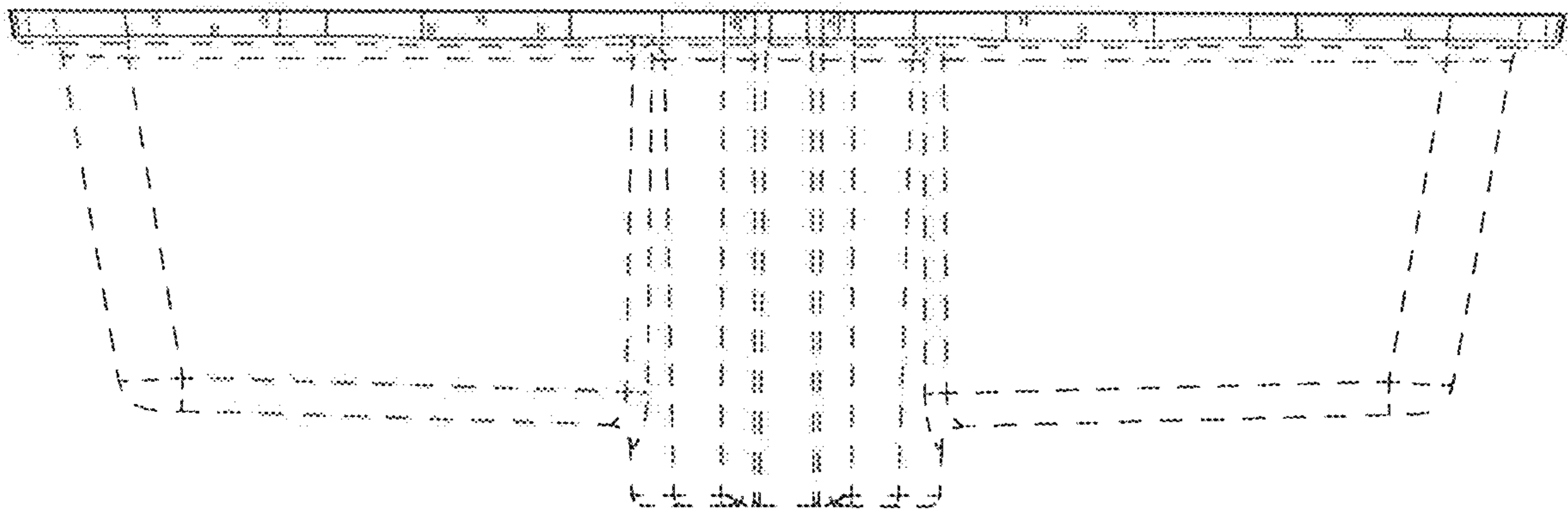


FIG. 3

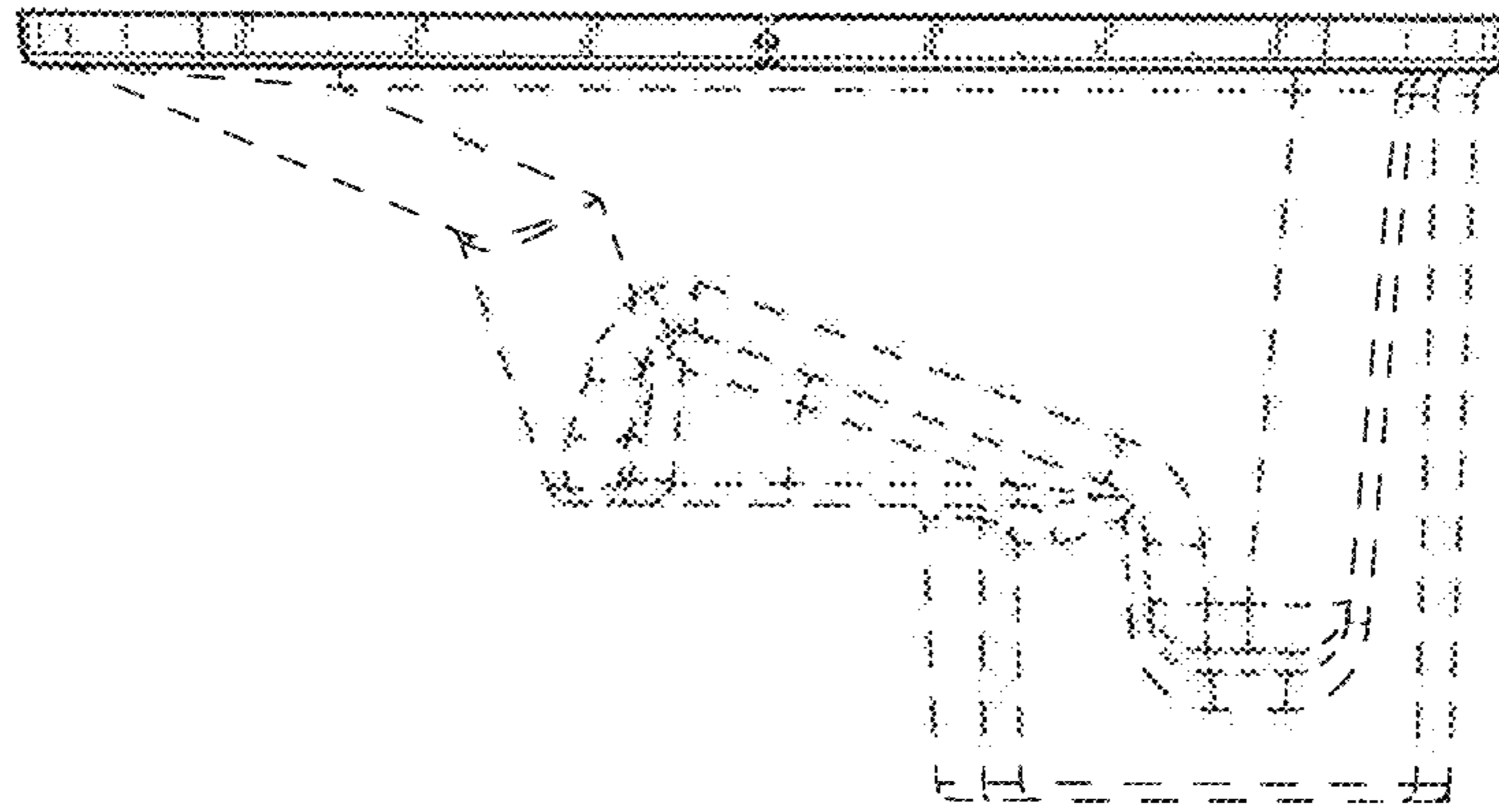


FIG. 4

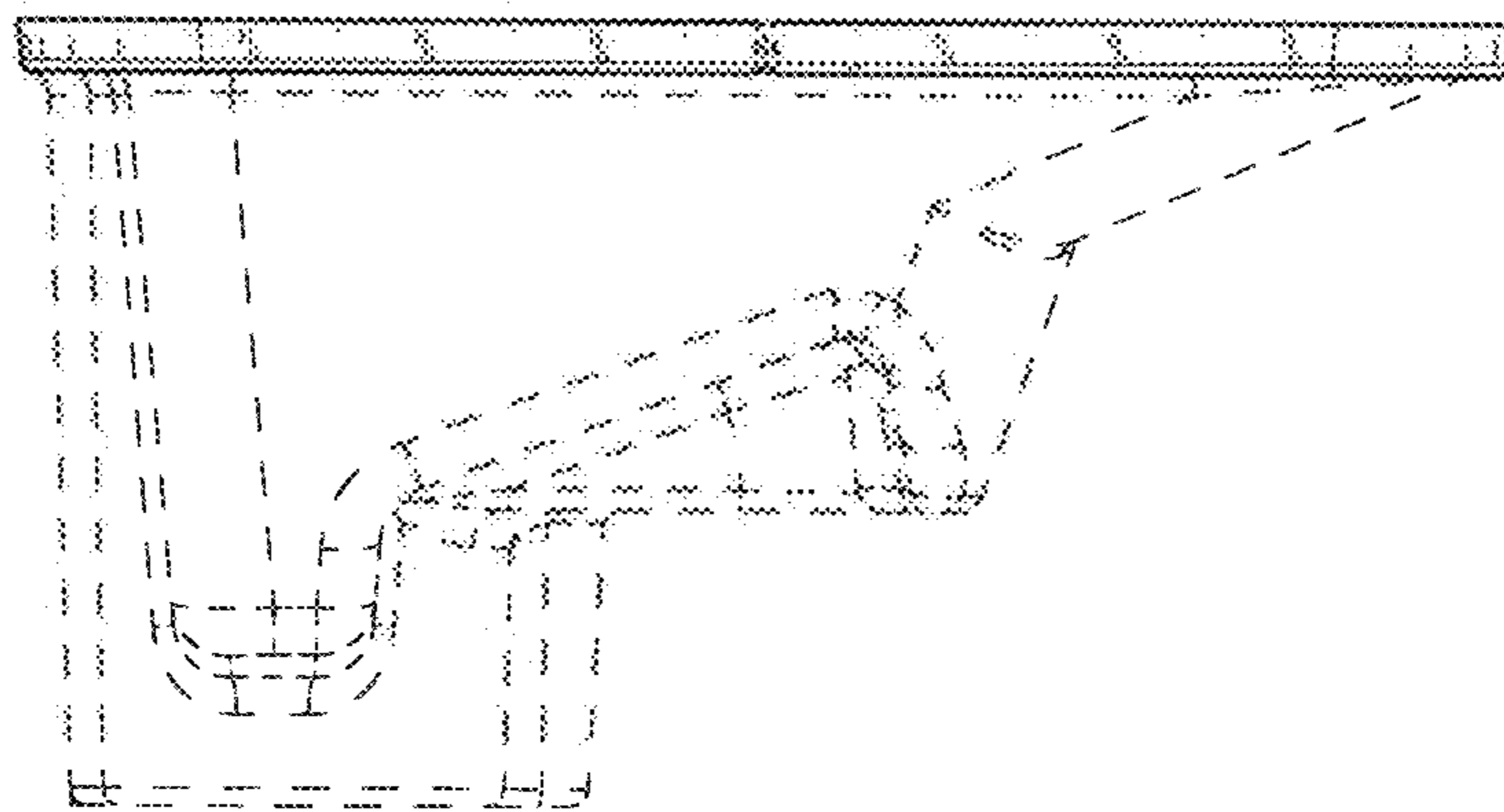


FIG. 5

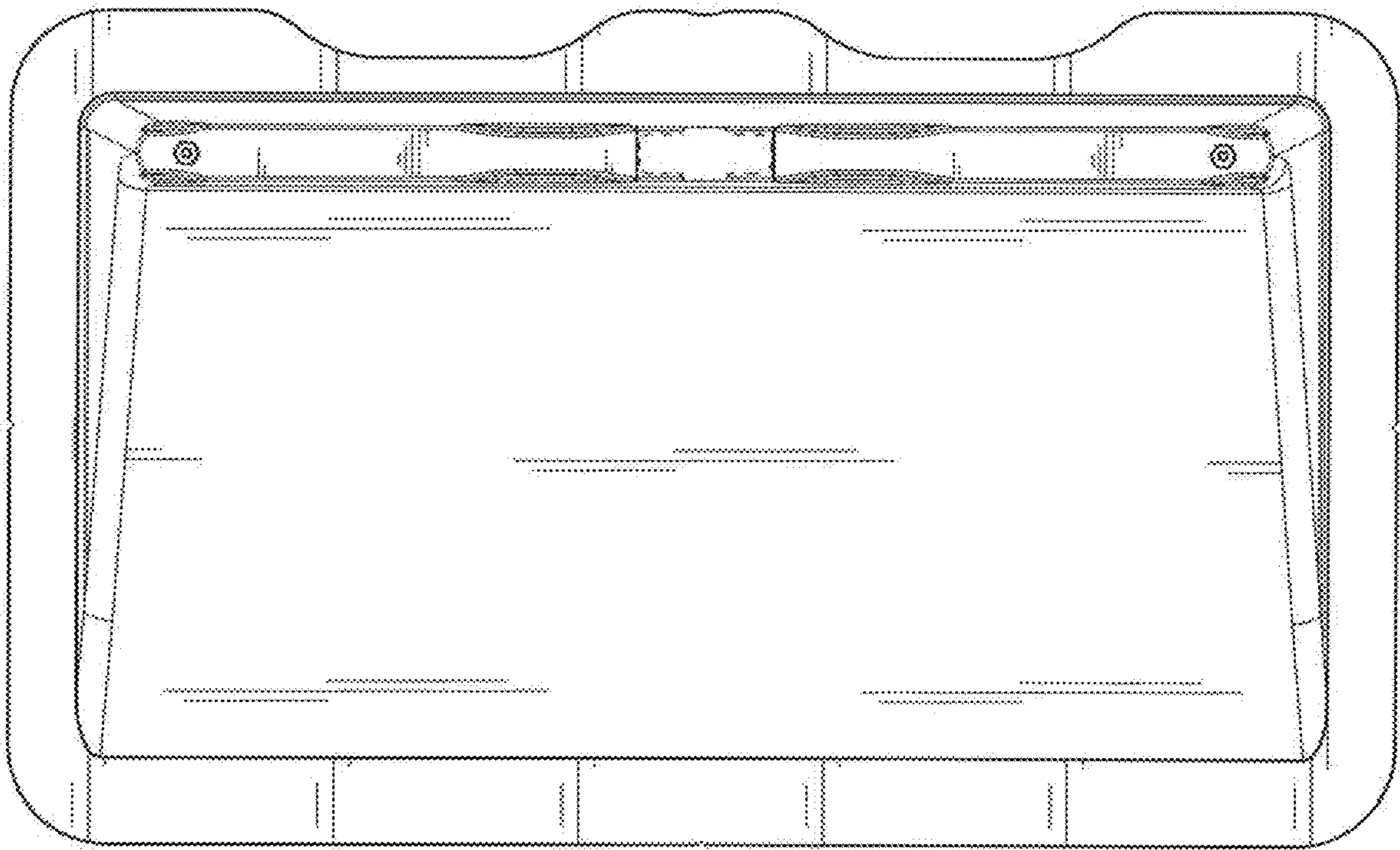


FIG. 6

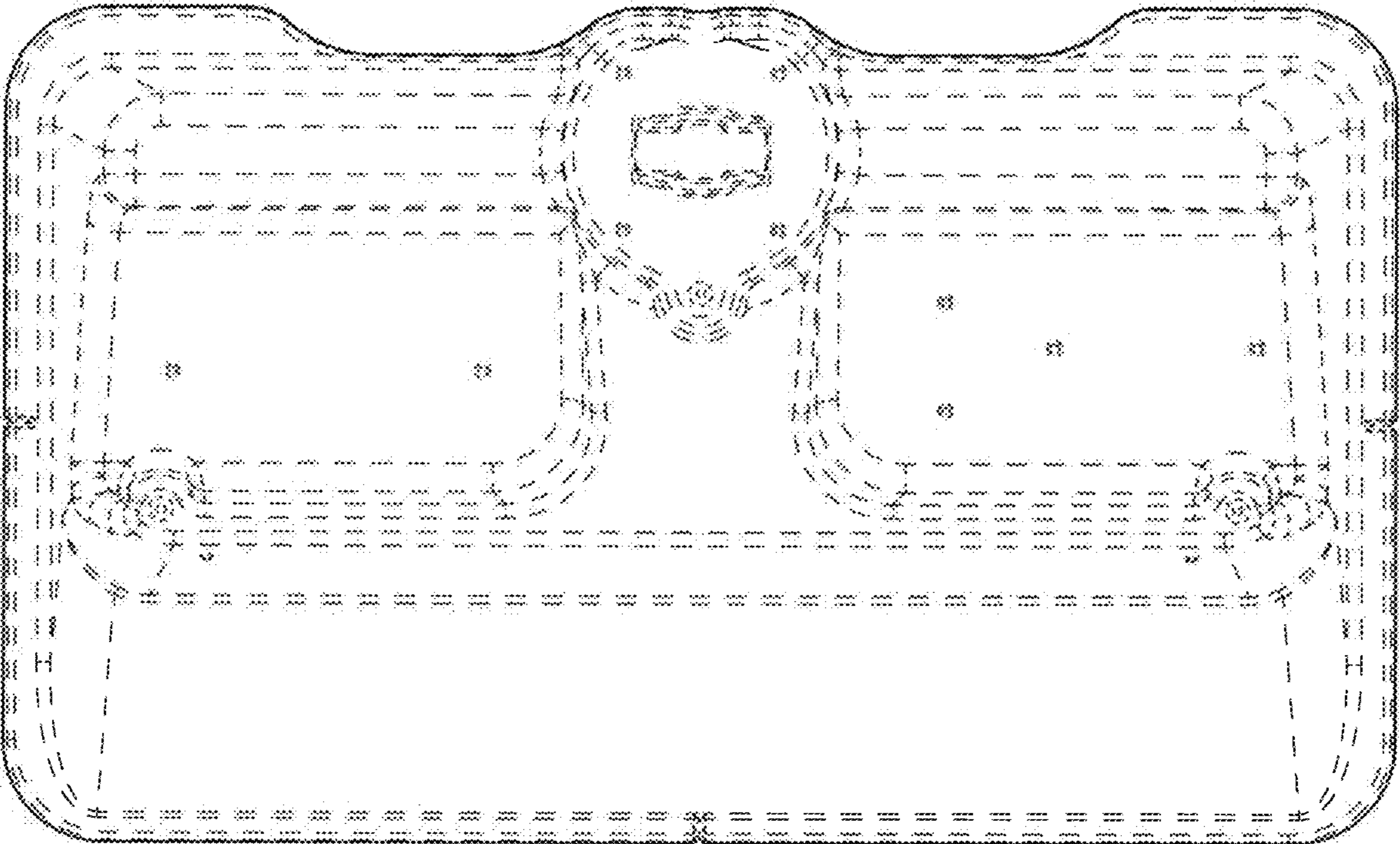


FIG. 7

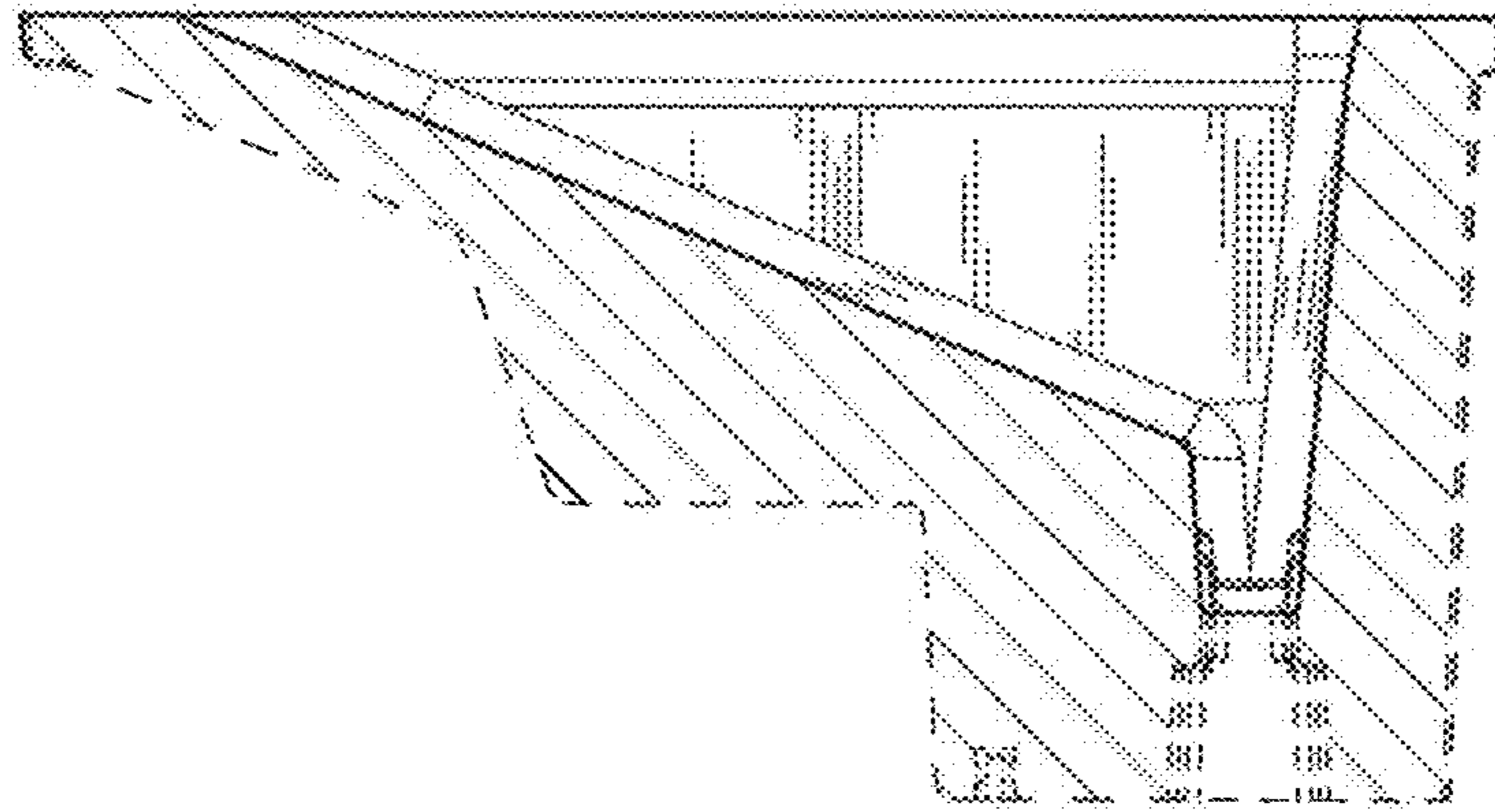


FIG. 8