

US00D939062S

(12) **United States Design Patent** (10) **Patent No.:** **US D939,062 S**  
**Para** (45) **Date of Patent:** **\*\* Dec. 21, 2021**

(54) **FAUCET SPOUT**  
(71) Applicant: **DELTA FAUCET COMPANY,**  
Indianapolis, IN (US)  
(72) Inventor: **Lauren Para,** Lisle, IL (US)  
(73) Assignee: **DELTA FAUCET COMPANY,**  
Indianapolis, IN (US)

(\*\*) Term: **15 Years**  
(21) Appl. No.: **29/733,886**

(22) Filed: **May 7, 2020**  
(51) **LOC (13) Cl.** ..... **23-01**  
(52) **U.S. Cl.**  
USPC ..... **D23/255**  
(58) **Field of Classification Search**  
USPC ..... D23/238-243, 249, 309, 250, 252, 254,  
D23/255, 256, 257, 245; D8/300, 307,  
D8/308  
CPC ..... Y10T 137/9464; E03C 1/00; E03C 1/02;  
E03C 1/04; E03C 1/0412; E03C 1/042;  
E03C 1/044; E03C 1/048; E03C 1/05;  
E03C 1/052

See application file for complete search history.

(56) **References Cited**

**U.S. PATENT DOCUMENTS**

D440,633 S \* 4/2001 Fleischmann ..... D23/238  
D444,212 S \* 6/2001 Fleischmann ..... D23/238  
D455,197 S \* 4/2002 Caplow ..... D23/253  
D456,063 S \* 4/2002 McKeone ..... D23/249  
D461,541 S \* 8/2002 Singtoroj ..... D23/255  
D487,923 S \* 3/2004 Fraser ..... D23/238  
D511,811 S \* 11/2005 Lord ..... D23/238  
D521,121 S \* 5/2006 Fritz ..... D23/255  
D566,811 S \* 4/2008 Zhang ..... D23/238  
D603,021 S \* 10/2009 Roy ..... D23/238  
D636,851 S \* 4/2011 Yu ..... D23/238  
D666,276 S \* 8/2012 Fritz ..... D23/238

D690,397 S \* 9/2013 Flowers ..... D23/255  
D690,399 S \* 9/2013 Flowers ..... D23/255  
D707,333 S \* 6/2014 Flowers ..... D23/252  
D729,350 S \* 5/2015 Bahler ..... D23/252  
D741,694 S \* 10/2015 Bahler ..... D8/372  
D756,486 S \* 5/2016 Schoenherr ..... D23/238  
D757,902 S \* 5/2016 Schoenherr ..... D23/238

(Continued)

**FOREIGN PATENT DOCUMENTS**

WO WO-D054015-007 \* 8/2000

**OTHER PUBLICATIONS**

Crosswater London, Taos Widespread Basin Faucet Product Specification PDF, created Dec. 28, 2012, [online], [visited Jun. 30, 2021]. Internet, <URL: https://www.crosswaterlondon.com/product/taos-widespread-basin-faucet> (Year: 2012).\*

(Continued)

*Primary Examiner* — Sheryl Lane  
*Assistant Examiner* — Samantha N Wood  
(74) *Attorney, Agent, or Firm* — Nirav D. Parikh; Edgar A. Zarins

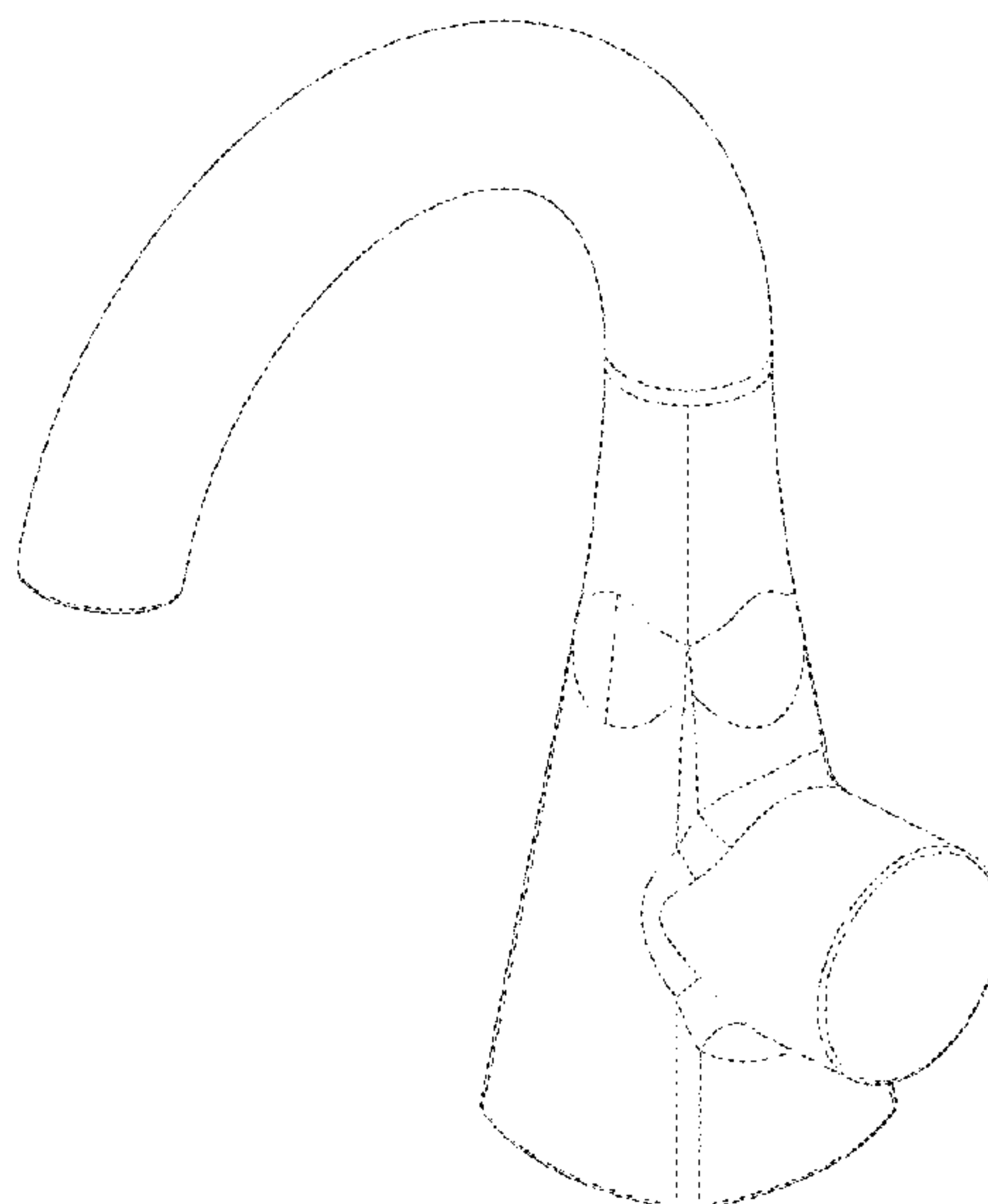
(57) **CLAIM**

The ornamental design for a faucet spout, as shown and described.

**DESCRIPTION**

FIG. 1 is a front perspective view of a faucet spout showing my new design;  
FIG. 2 is a rear perspective view thereof;  
FIG. 3 is a front elevational view thereof;  
FIG. 4 is a left side view thereof;  
FIG. 5 is a rear view thereof;  
FIG. 6 is a right side view thereof;  
FIG. 7 is a top plan view thereof; and,  
FIG. 8 is a bottom view thereof.

**1 Claim, 4 Drawing Sheets**



(56)

**References Cited**

U.S. PATENT DOCUMENTS

D797,897 S \* 9/2017 Fritz ..... D23/255  
D820,399 S \* 6/2018 Garland ..... D23/238  
D828,510 S \* 9/2018 Zeisel ..... D23/238  
D828,513 S \* 9/2018 Rashid ..... D23/238  
D830,518 S \* 10/2018 Zeisel ..... D23/238  
D846,708 S \* 4/2019 Garland ..... D23/252  
D848,580 S \* 5/2019 Garland ..... D23/255  
2018/0355593 A1 \* 12/2018 Tracy ..... E03C 1/0412

OTHER PUBLICATIONS

Amazon, Gricol Touchless Kitchen Mixer Tap, posted Nov. 21, 2019, [online], [visited Jul. 28, 2021]. Internet, <URL: <https://www.amazon.co.uk/Gricol-Touchless-Kitchen-Automatic-Sensor/dp/B081SW5QFV/ref>> (Year: 2019).\*

\* cited by examiner

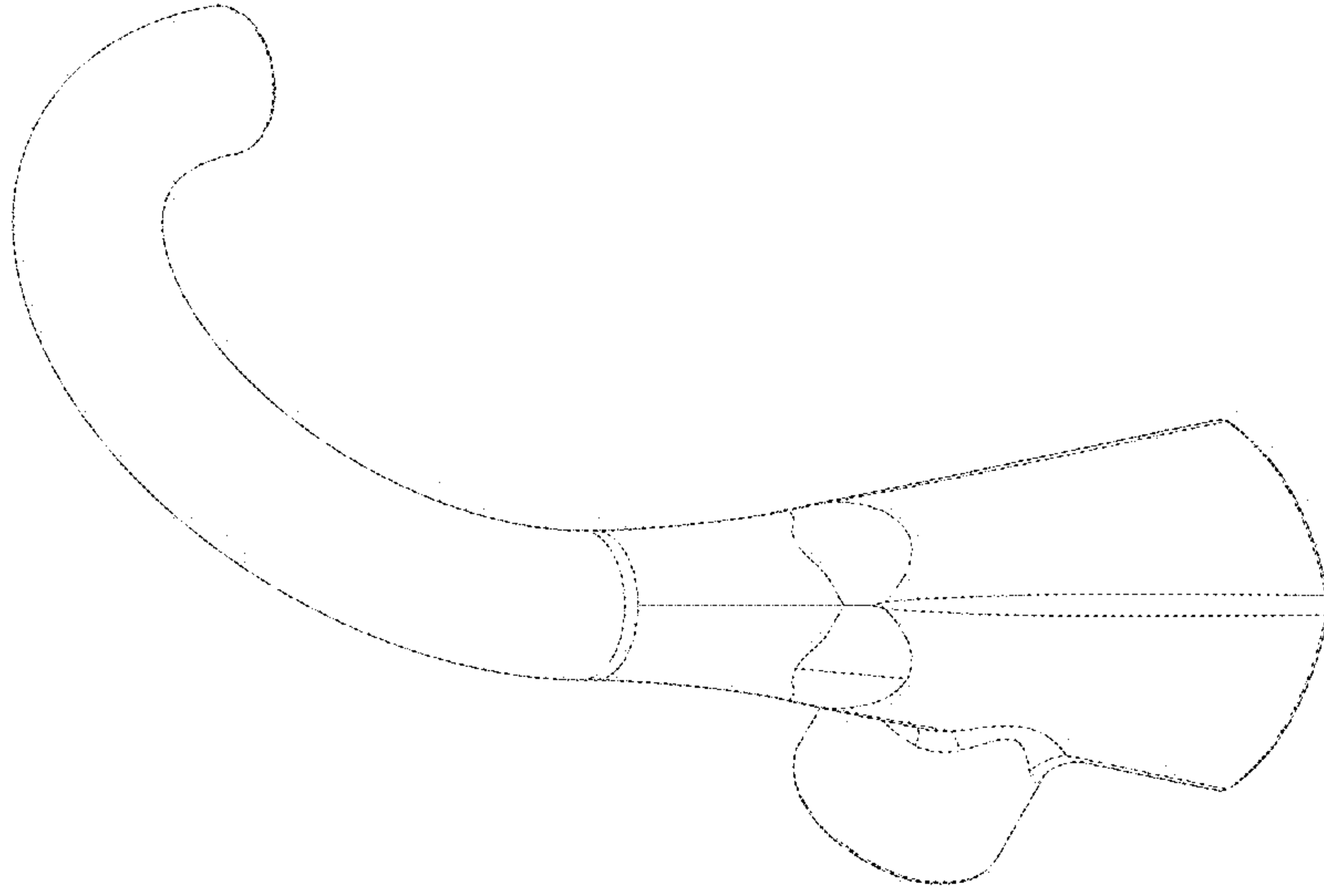


FIG - 2

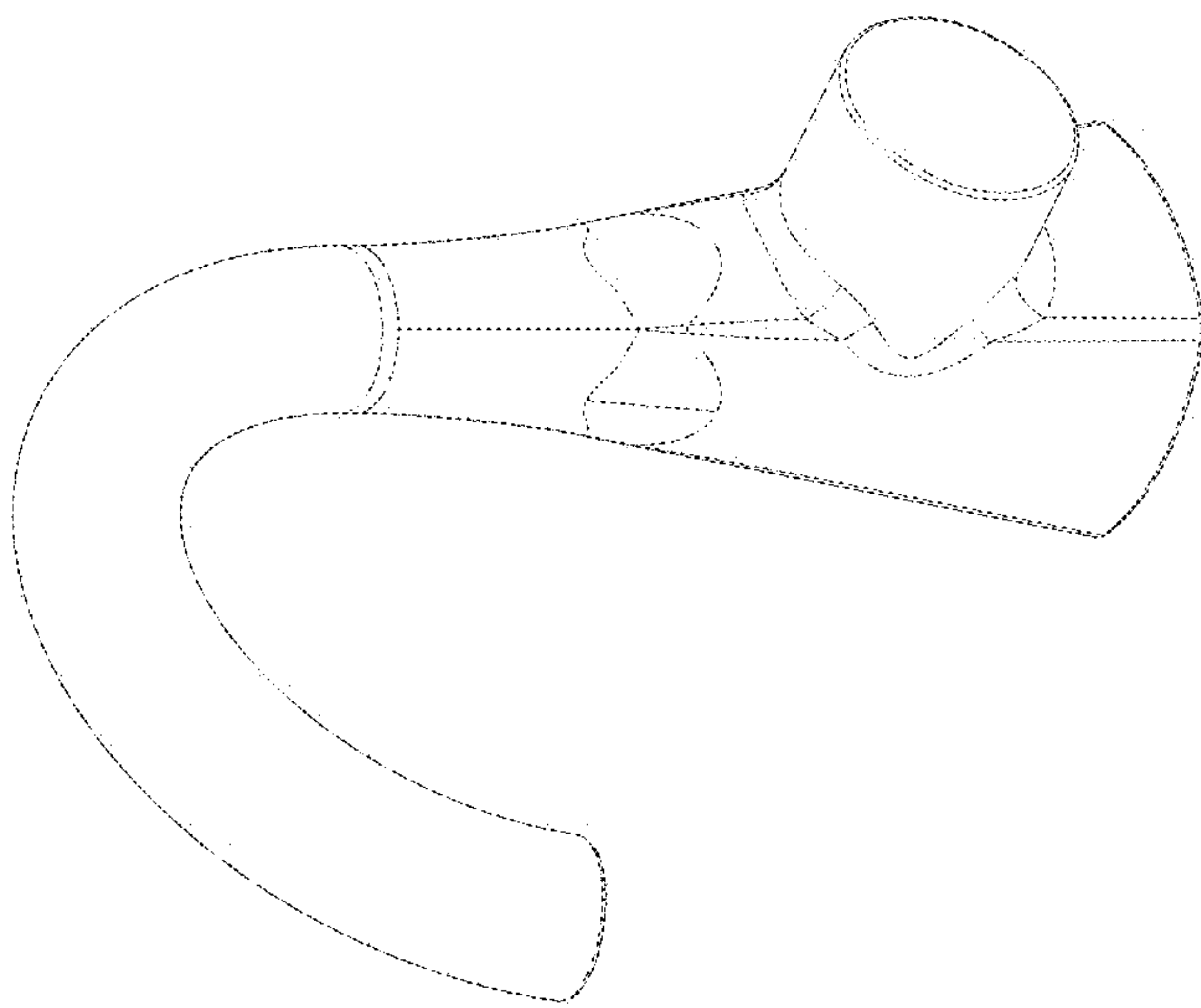


FIG - 1

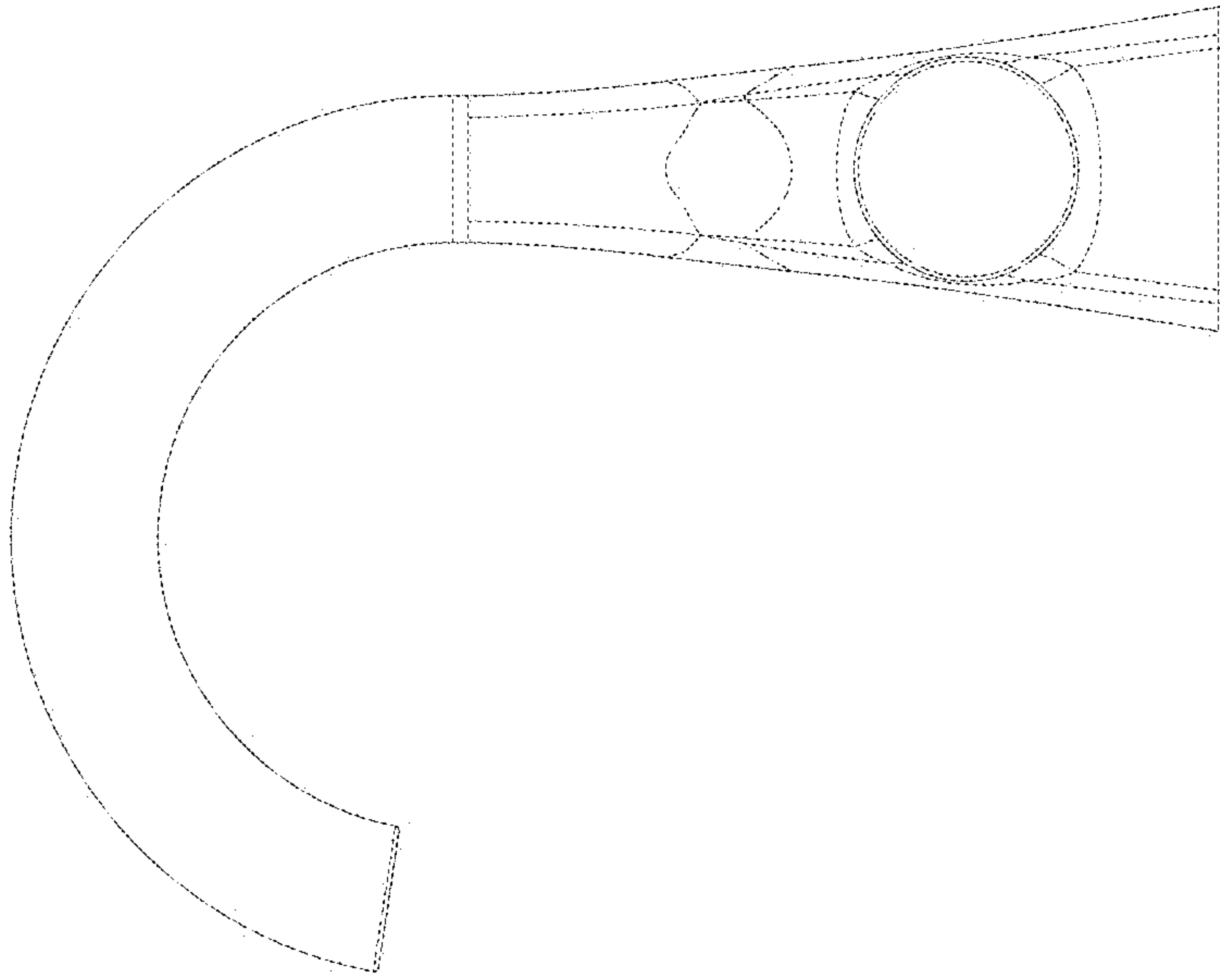


FIG - 4

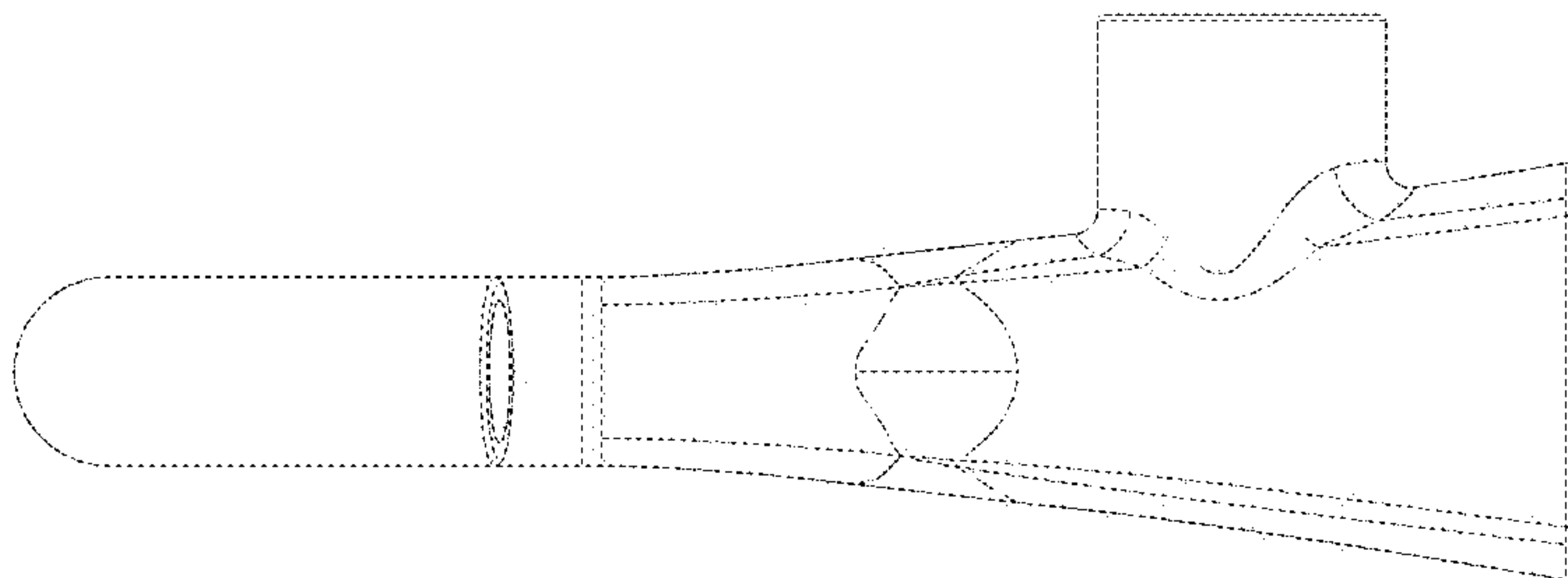


FIG - 3

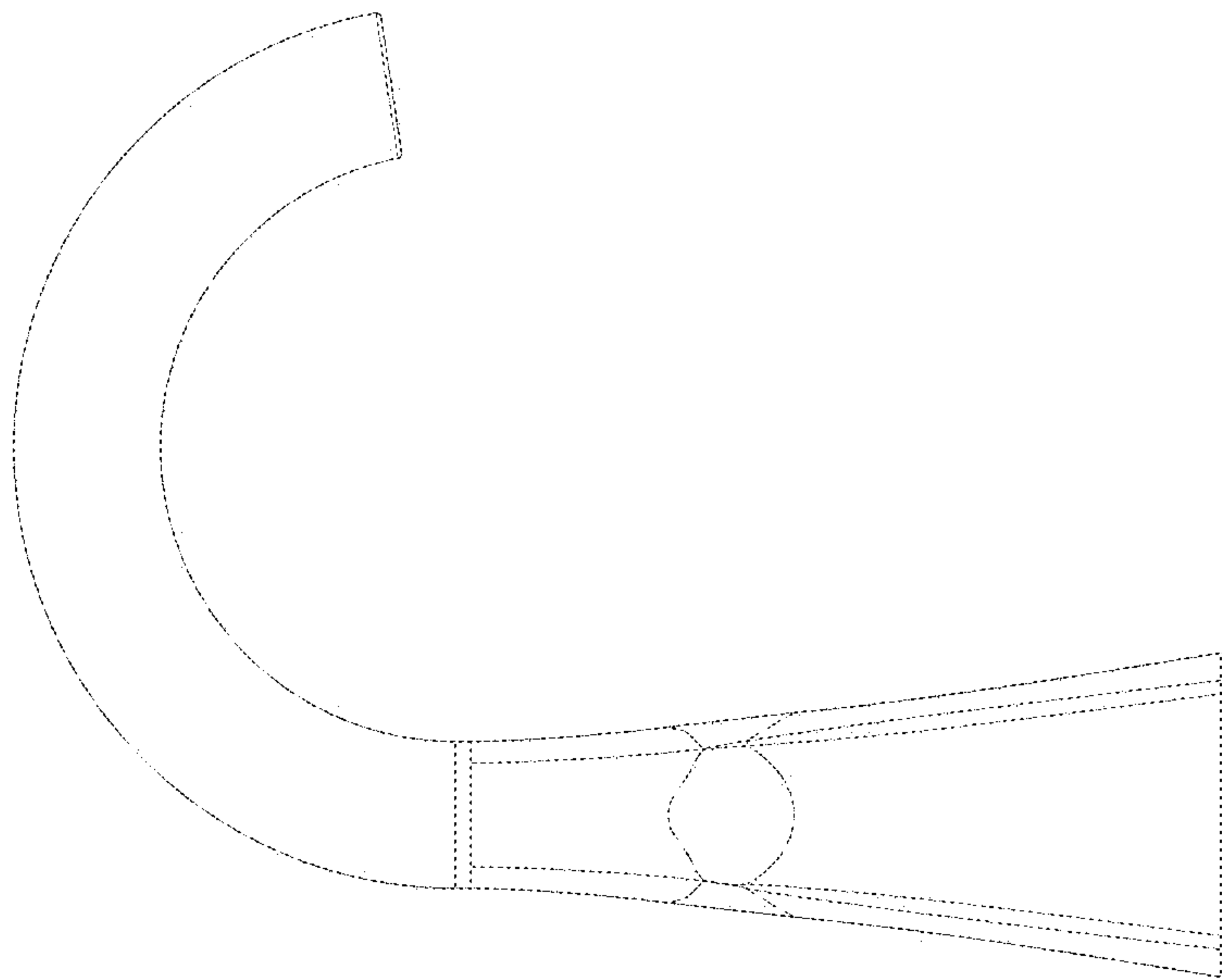


FIG - 6

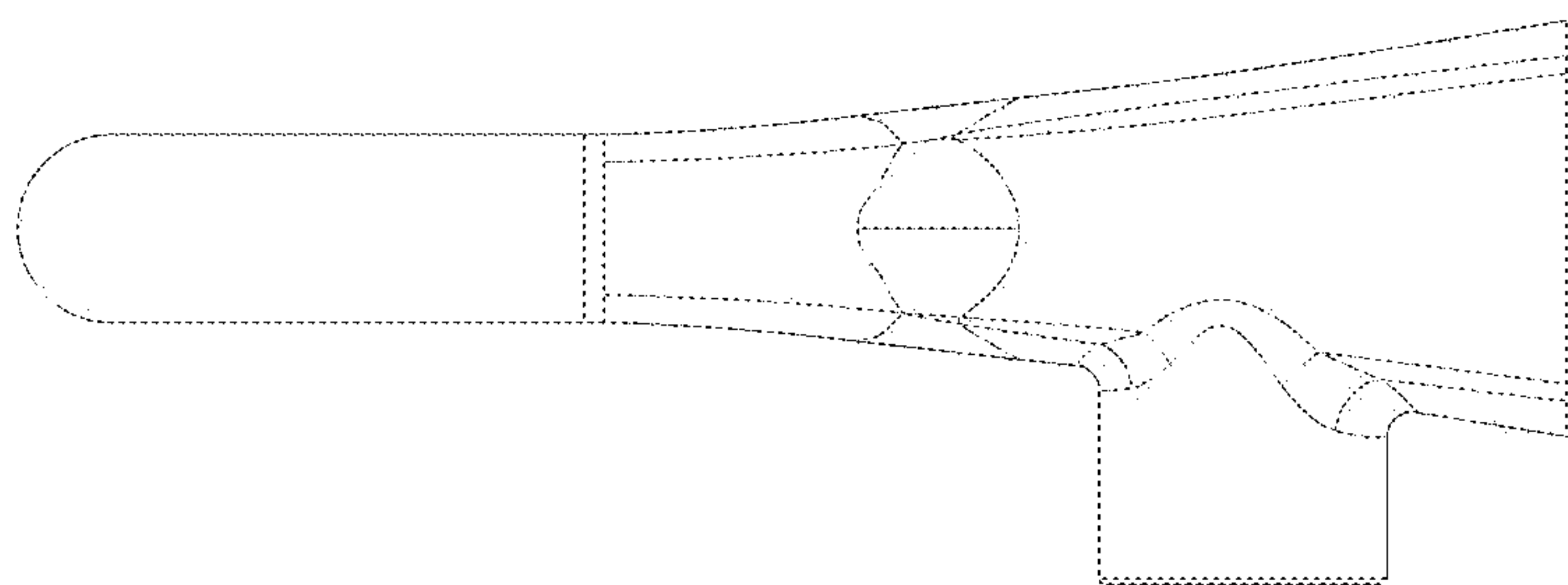


FIG - 5

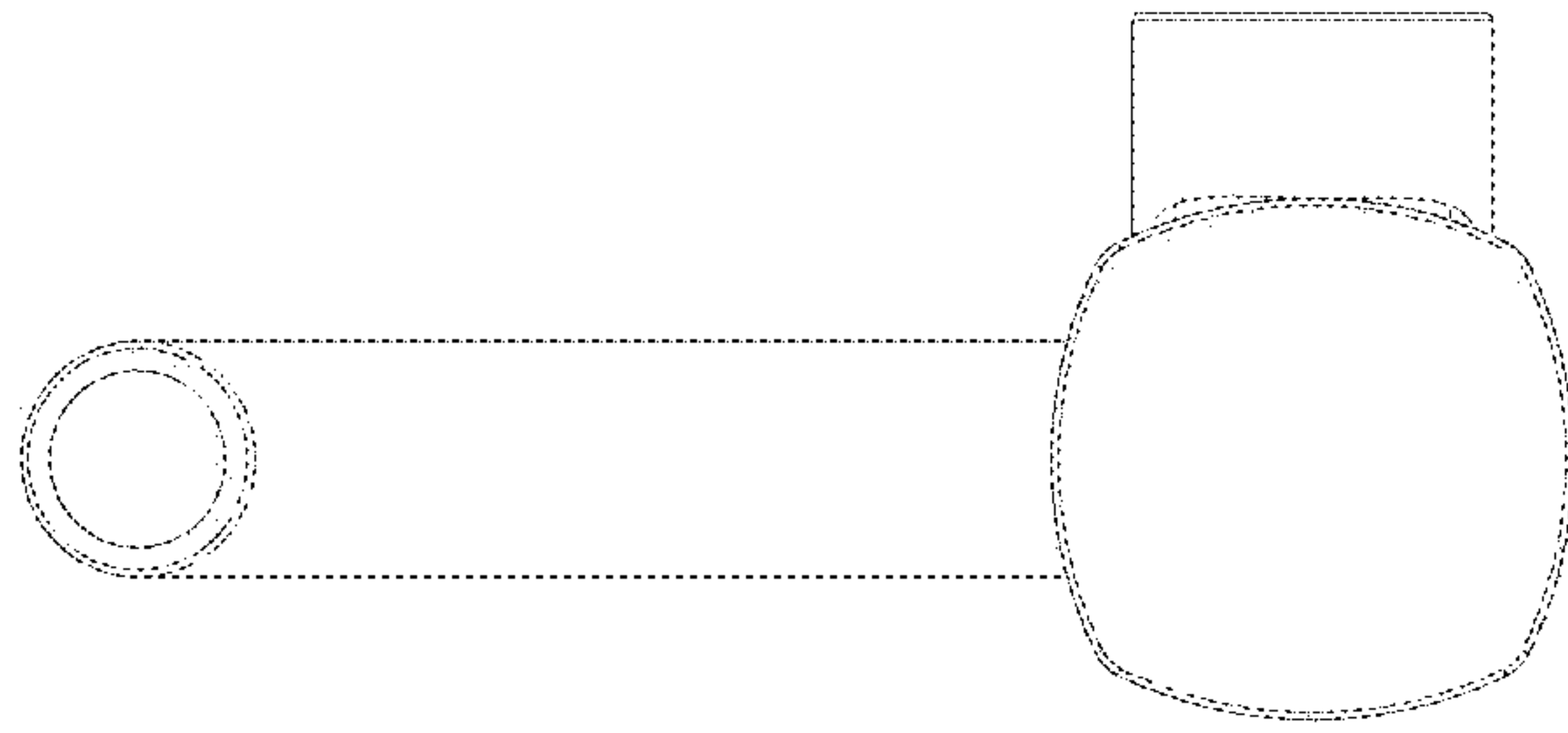


FIG - 8

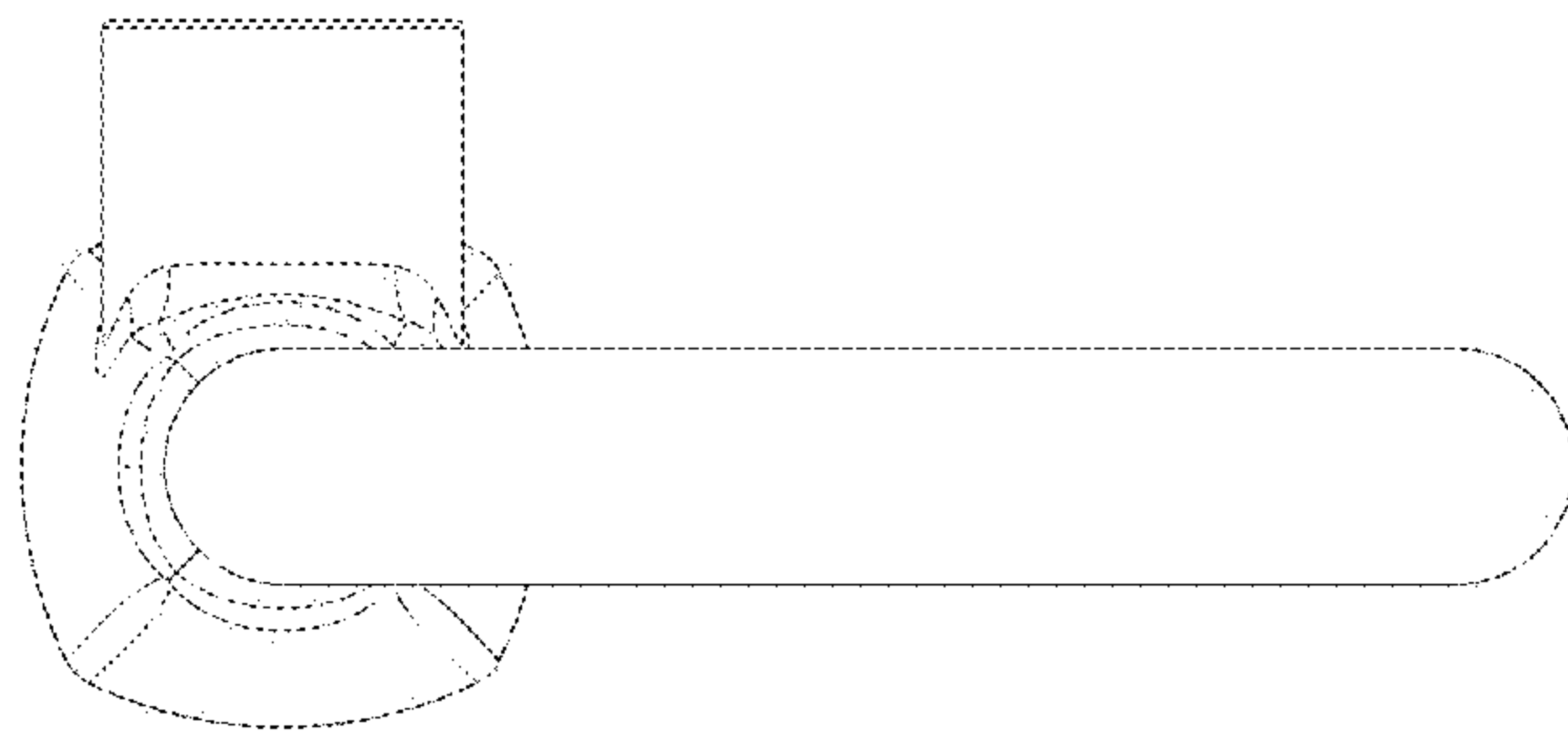


FIG - 7