



US00D939061S

(12) **United States Design Patent** (10) **Patent No.:** **US D939,061 S**
Para (45) **Date of Patent:** **** Dec. 21, 2021**

(54) **FAUCET**
(71) Applicant: **DELTA FAUCET COMPANY,**
Indianapolis, IN (US)
(72) Inventor: **Lauren Para,** Lisle, IL (US)
(73) Assignee: **DELTA FAUCET COMPANY,**
Indianapolis, IN (US)
(**) Term: **15 Years**
(21) Appl. No.: **29/733,862**
(22) Filed: **May 7, 2020**
(51) **LOC (13) Cl.** **23-01**
(52) **U.S. Cl.**
USPC **D23/255**
(58) **Field of Classification Search**
USPC D23/238–243, 249, 309, 250, 252, 254,
D23/255, 256, 257, 245; D8/300, 307,
D8/308
CPC Y10T 137/9464; E03C 1/00; E03C 1/02;
E03C 1/04; E03C 1/0412; E03C 1/042;
E03C 1/044; E03C 1/048; E03C 1/05;
E03C 1/052
See application file for complete search history.

(56) **References Cited**
U.S. PATENT DOCUMENTS
D440,633 S * 4/2001 Fleischmann D23/238
D444,212 S * 6/2001 Fleischmann D23/238
D455,197 S * 4/2002 Caplow D23/253
D456,063 S * 4/2002 McKeone D23/249
D461,541 S * 8/2002 Singtoroj D23/255
D487,923 S * 3/2004 Fraser D23/238
D511,811 S * 11/2005 Lord D23/238
D521,121 S * 5/2006 Fritz D23/255
D566,811 S * 4/2008 Zhang D23/238
D603,021 S * 10/2009 Roy D23/238
D636,851 S * 4/2011 Yu D23/238
D666,276 S * 8/2012 Fritz D23/238

D690,397 S * 9/2013 Flowers D23/255
D690,399 S * 9/2013 Flowers D23/255
D707,333 S * 6/2014 Flowers D23/252
D729,350 S * 5/2015 Bahler D23/252
D741,694 S * 10/2015 Bahler D8/372
D756,486 S * 5/2016 Schoenherr D23/238
D757,902 S * 5/2016 Schoenherr D23/238
(Continued)

FOREIGN PATENT DOCUMENTS

WO WO-D054015-007 * 8/2000

OTHER PUBLICATIONS

Crosswater London, Taos Widespread Basin Faucet Product Specification PDF, created Dec. 28, 2012, [online], [visited Jun. 30, 2021]. Internet, <URL: <https://www.crosswaterlondon.com/product/taos-widespread-basin-faucet>> (Year: 2012).*
(Continued)

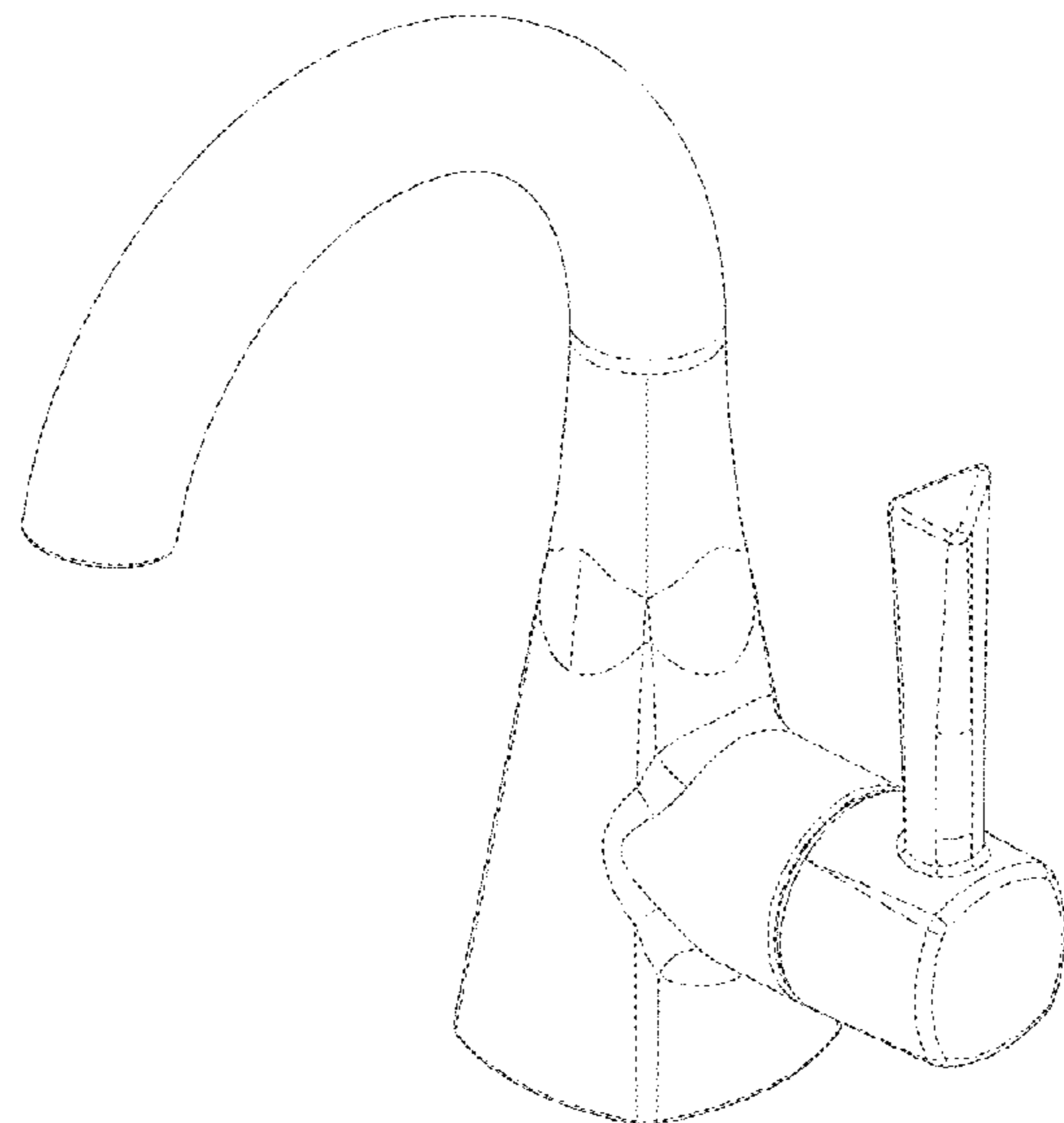
Primary Examiner — Sheryl Lane
Assistant Examiner — Samantha N Wood
(74) *Attorney, Agent, or Firm* — Nirav D. Parikh; Edgar A. Zarins

(57) **CLAIM**
The ornamental design for a faucet, as shown and described.

DESCRIPTION

FIG. 1 is a front perspective view of a faucet showing my new design;
FIG. 2 is a rear perspective view thereof;
FIG. 3 is a front elevational view thereof;
FIG. 4 is a left side view thereof;
FIG. 5 is a rear view thereof;
FIG. 6 is a right side view thereof;
FIG. 7 is a top plan view thereof; and,
FIG. 8 is a bottom view thereof.

1 Claim, 4 Drawing Sheets



(56)

References Cited

U.S. PATENT DOCUMENTS

D797,897 S * 9/2017 Fritz D23/255
D820,399 S * 6/2018 Garland D23/238
D828,510 S * 9/2018 Zeisel D23/238
D828,513 S * 9/2018 Rashid D23/238
D830,518 S * 10/2018 Zeisel D23/238
D846,708 S * 4/2019 Garland D23/252
D848,580 S * 5/2019 Garland D23/255
2018/0355593 A1 * 12/2018 Tracy E03C 1/0412

OTHER PUBLICATIONS

Amazon, Gricol Touchless Kitchen Mixer Tap, posted Nov. 21, 2019, [online], [visited Jul. 28, 2021]. Internet, <URL: <https://www.amazon.co.uk/Gricol-Touchless-Kitchen-Automatic-Sensor/dp/B081SW5QFV/ref>> (Year: 2019).*

* cited by examiner

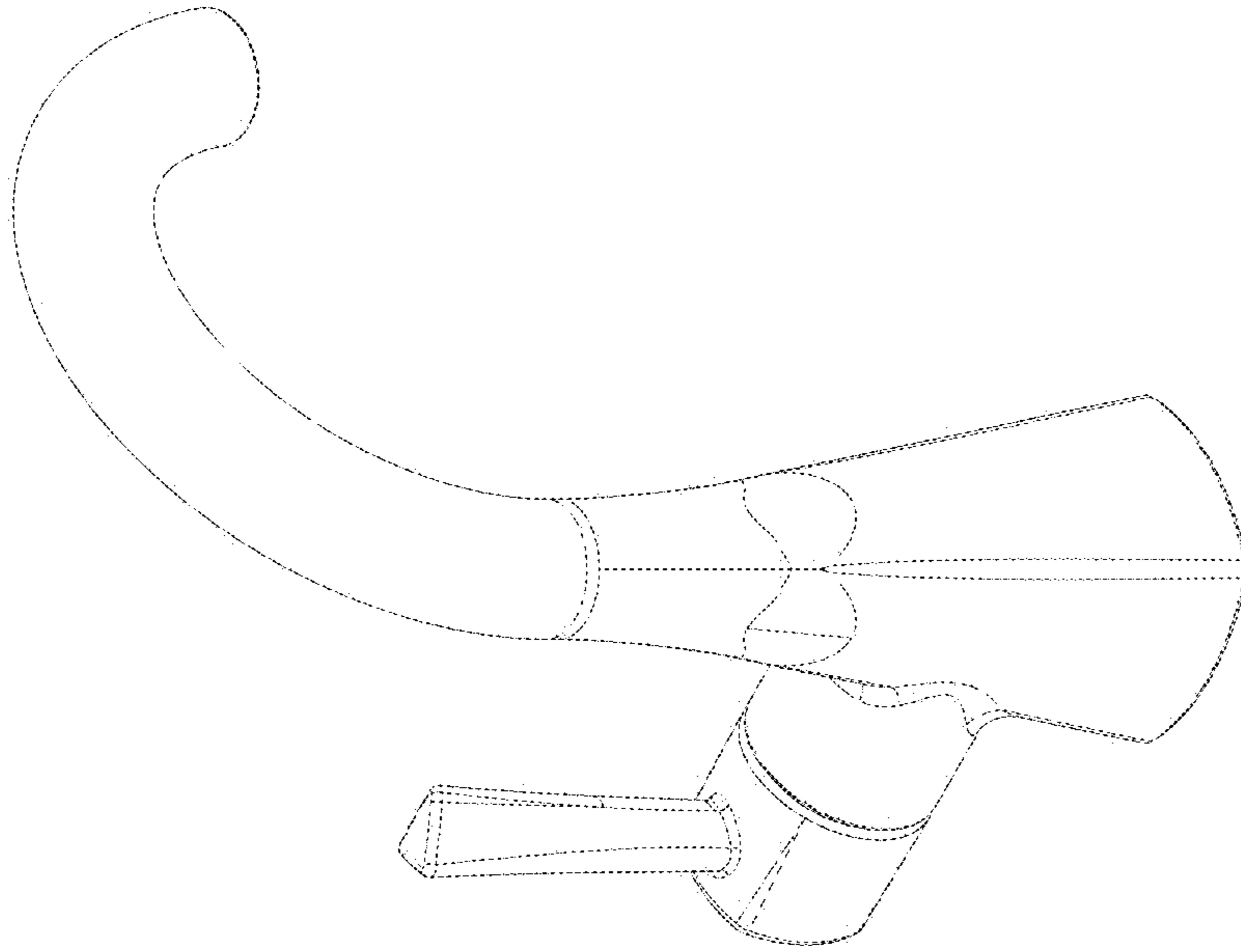


FIG - 2

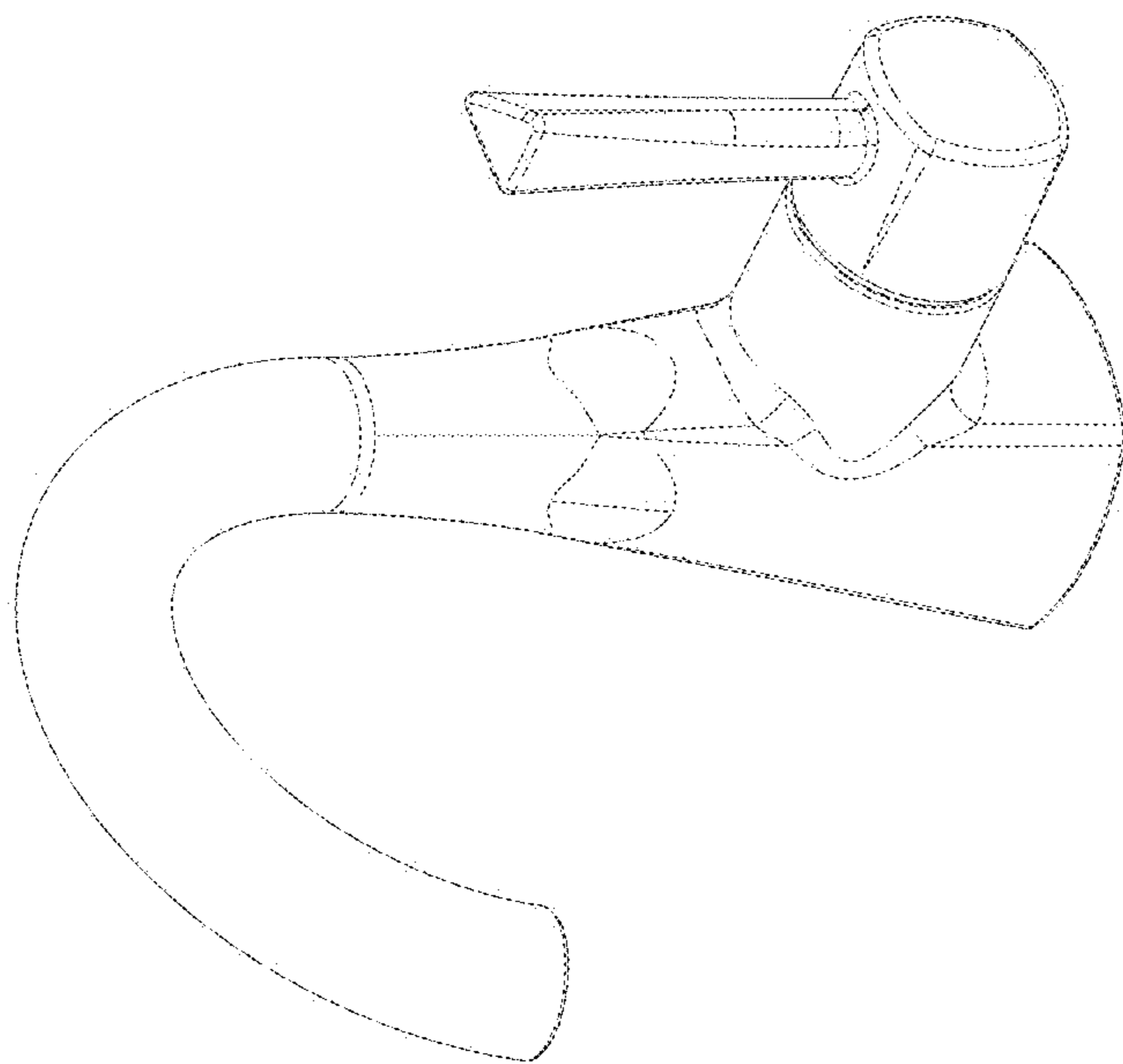


FIG - 1

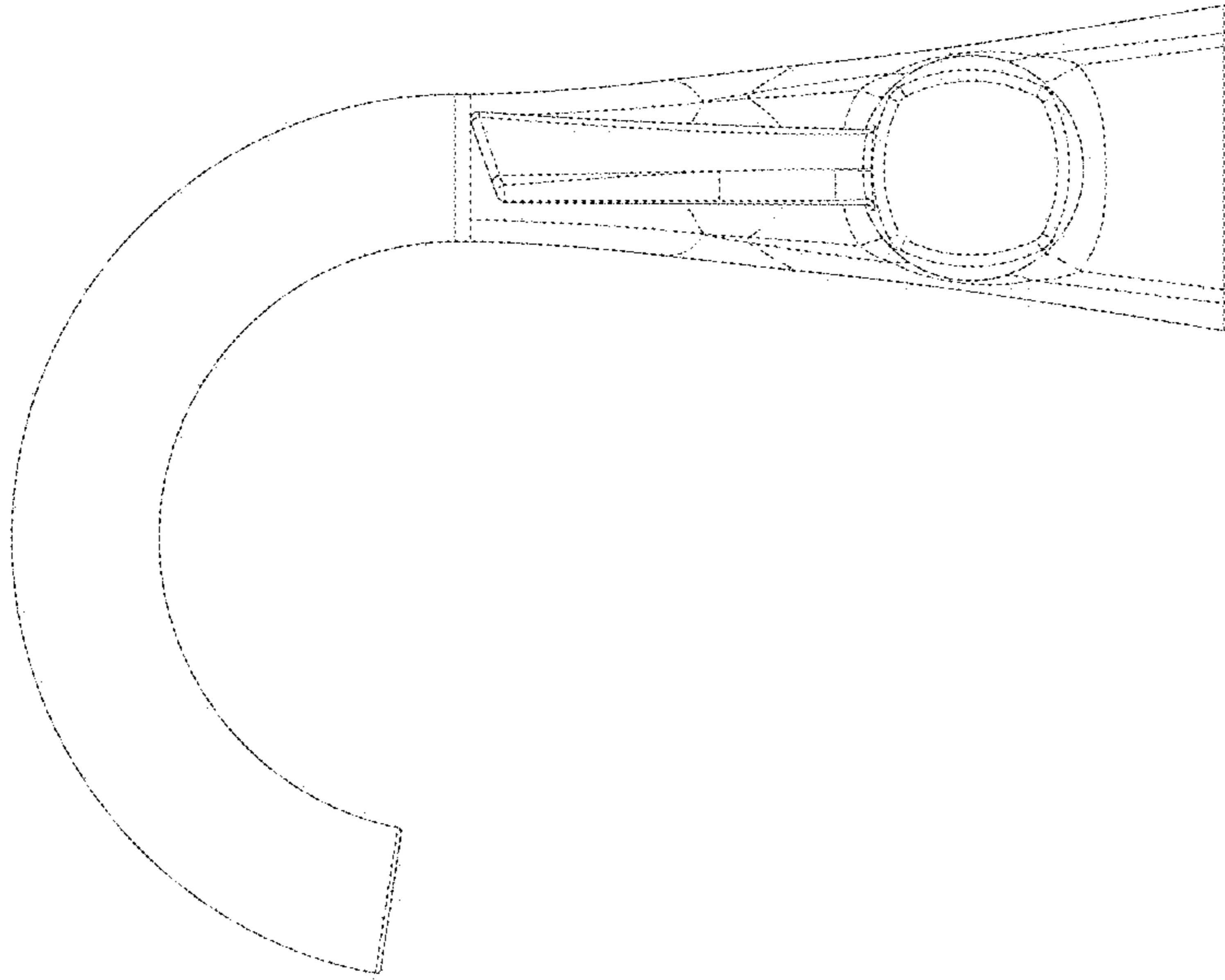


FIG - 4

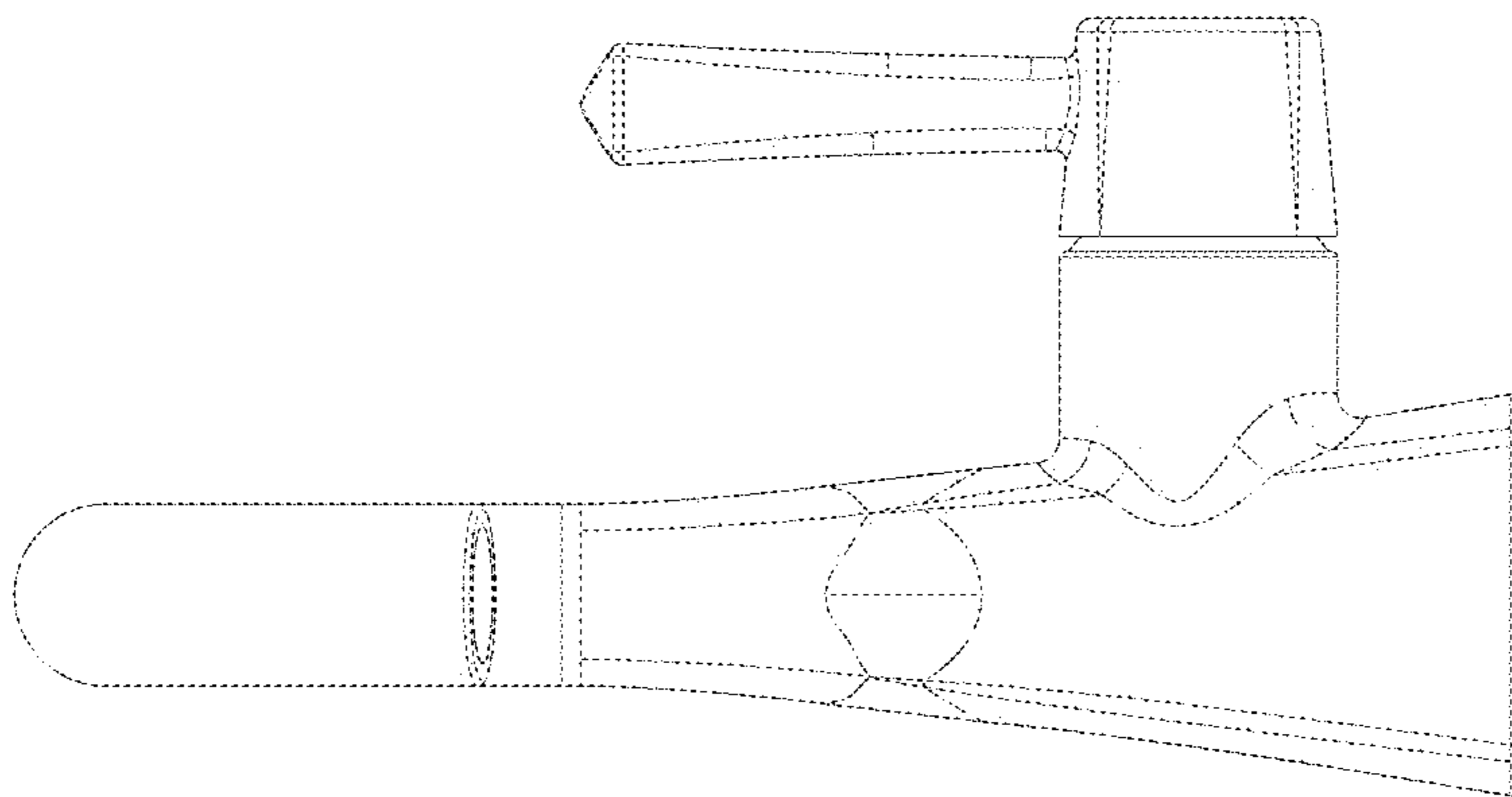


FIG - 3

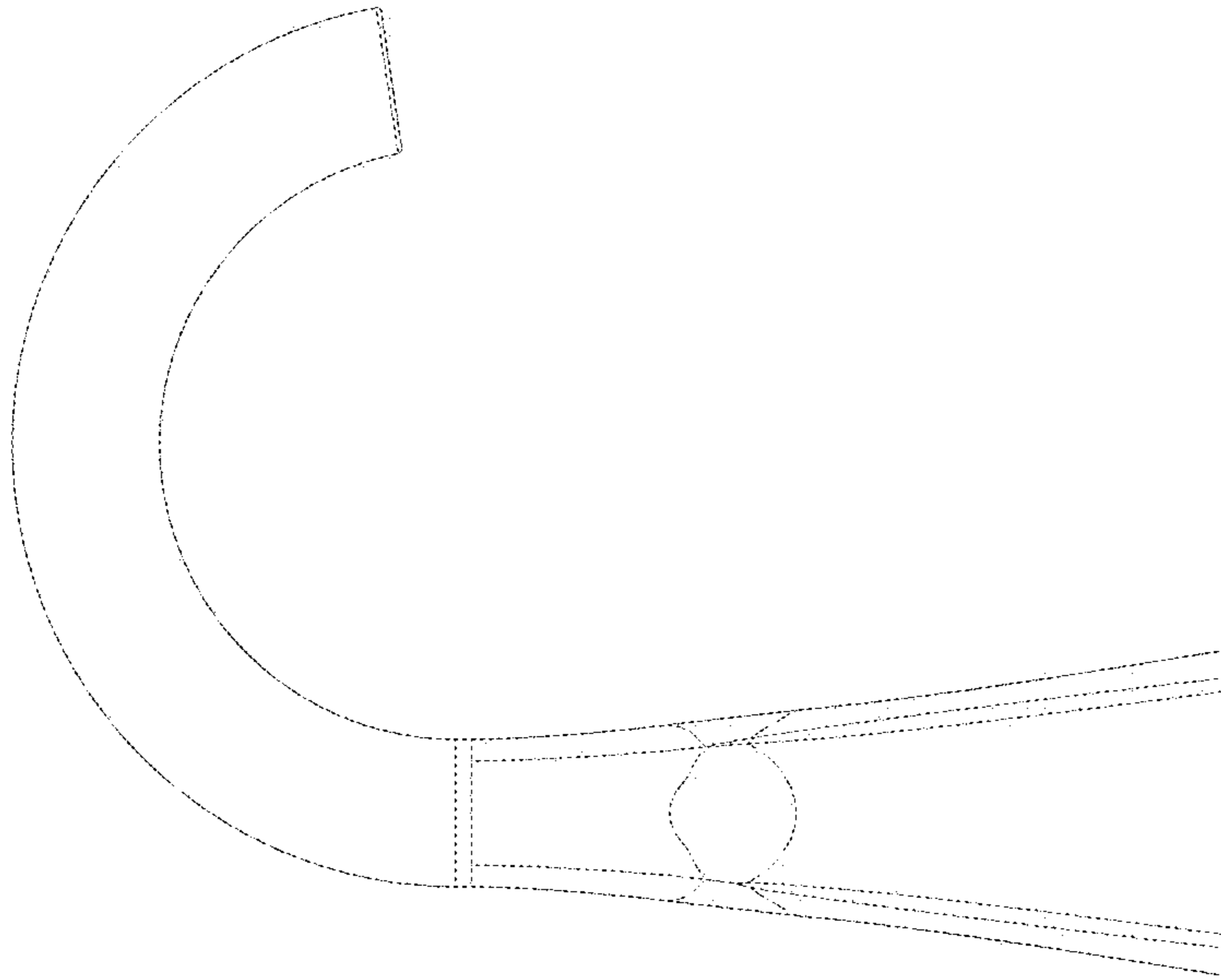


FIG - 6

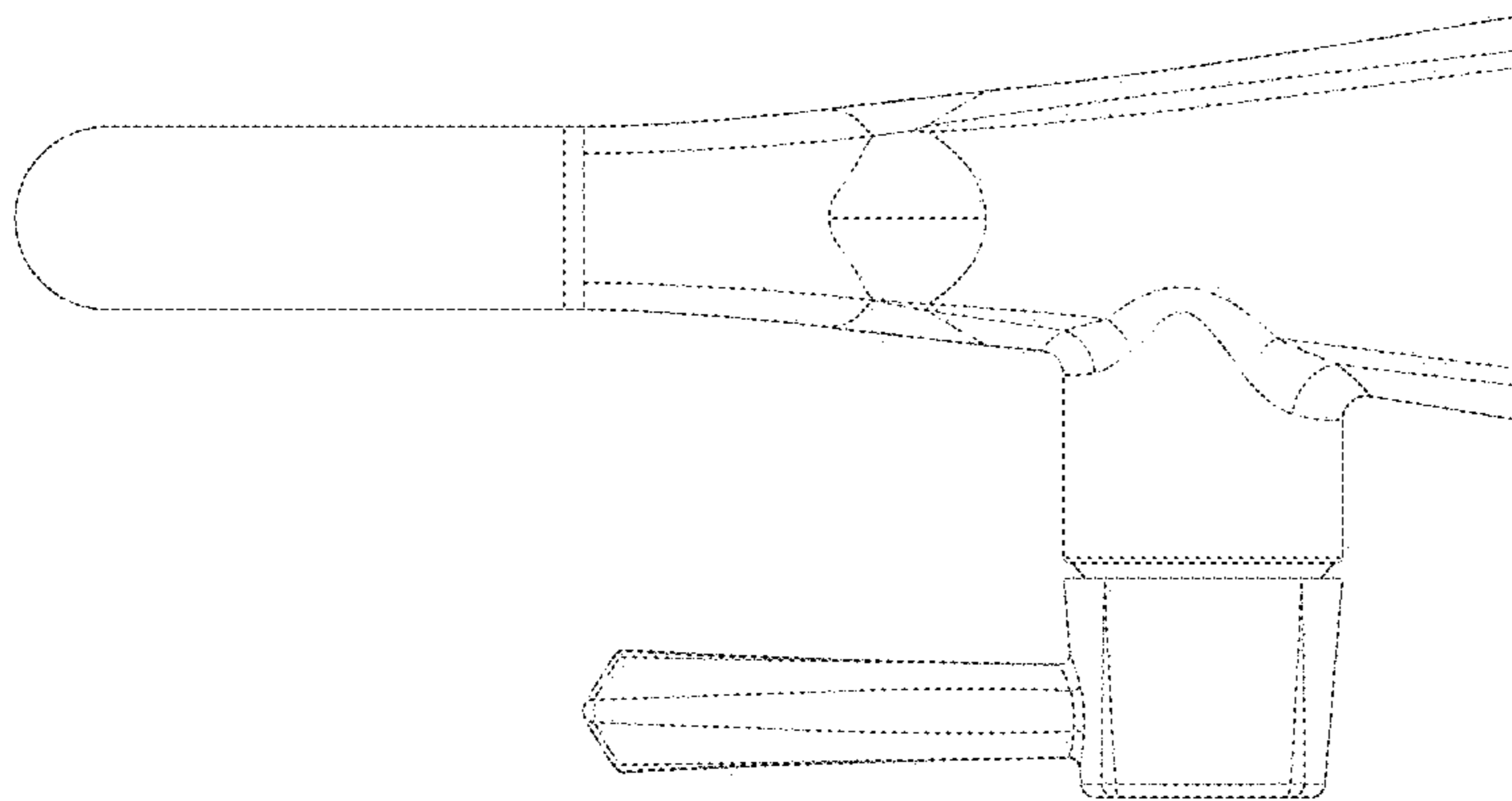


FIG - 5

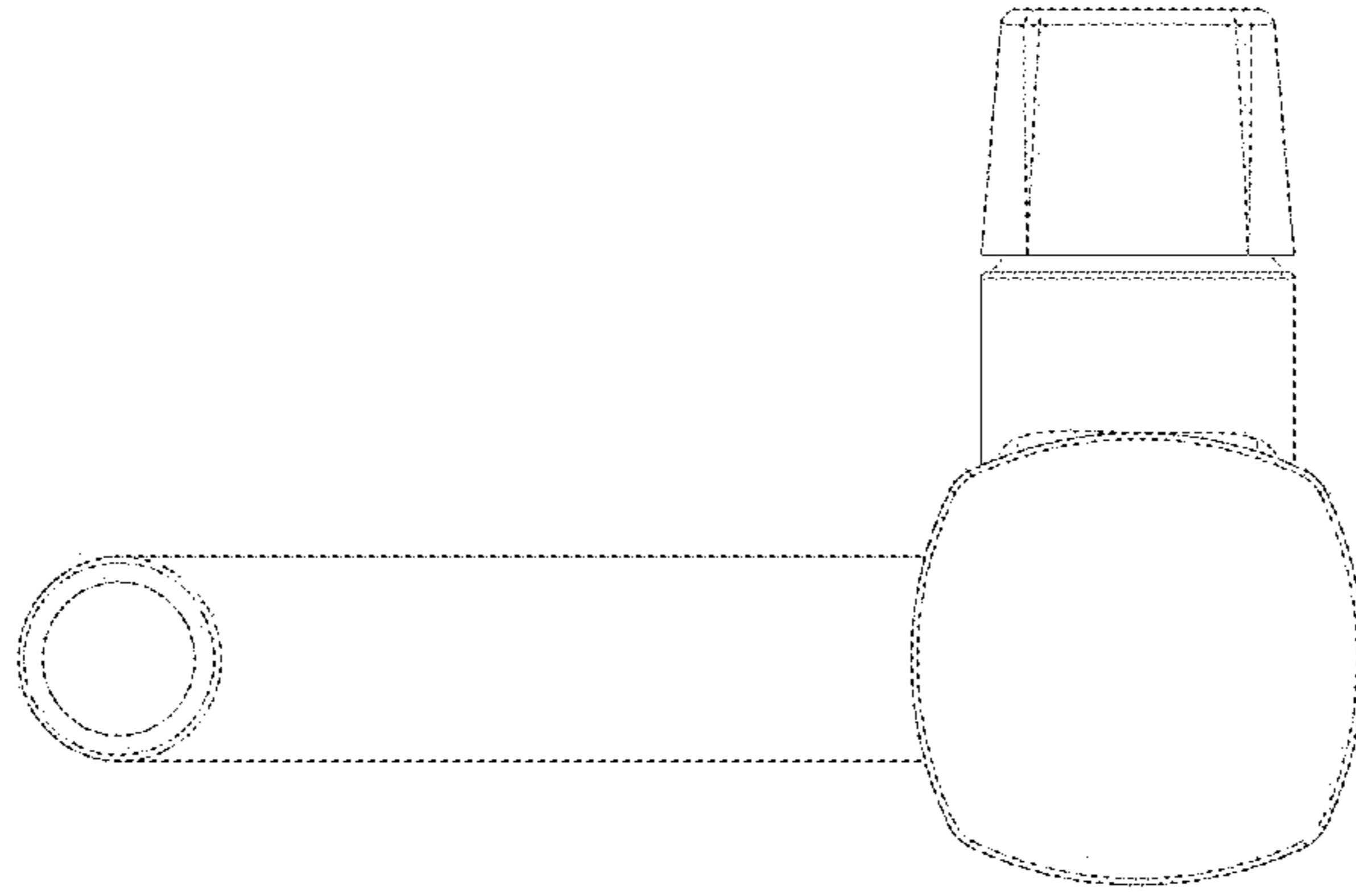


FIG - 8

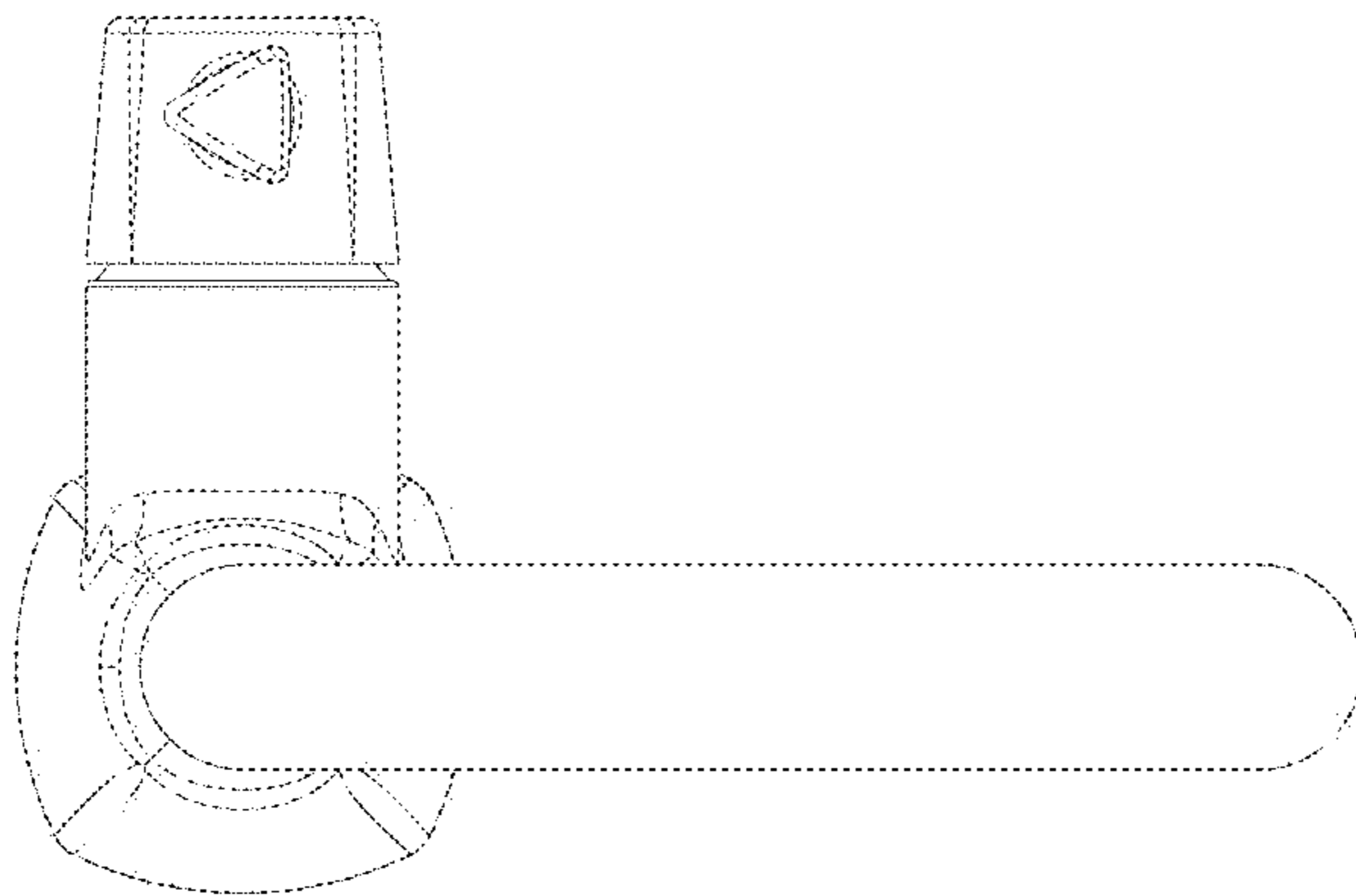


FIG - 7