



US00D939060S

(12) **United States Design Patent** (10) **Patent No.:** **US D939,060 S**
Ravassa et al. (45) **Date of Patent:** **** Dec. 21, 2021**

(54) **HANDLE**

(71) Applicant: **AS America, Inc.**, Piscataway, NJ (US)

(72) Inventors: **Gabriela Ravassa**, Los Angeles, CA (US); **Jean-Jacques L’Henaff**, New Canaan, CT (US)

(73) Assignee: **AS America, Inc.**, Piscataway, NJ (US)

(**) Term: **15 Years**

(21) Appl. No.: **29/805,369**

(22) Filed: **Aug. 26, 2021**

Related U.S. Application Data

(63) Continuation of application No. 29/775,368, filed on Mar. 23, 2021, now Pat. No. Des. 931,986, which is a continuation of application No. 29/719,849, filed on Jan. 8, 2020, now Pat. No. Des. 917,017.

(51) **LOC (13) Cl.** **23-01**

(52) **U.S. Cl.**
USPC **D23/254**

(58) **Field of Classification Search**
USPC D23/250–254, 238–243; D8/307–308
See application file for complete search history.

(56) **References Cited**

U.S. PATENT DOCUMENTS

D522,633 S * 6/2006 Hoernig D23/252
D682,993 S * 5/2013 Mendoza D23/242

D810,886 S * 2/2018 Schoenherr D23/253
D851,734 S * 6/2019 Spangler D23/252
D893,679 S * 8/2020 Park D23/252
D928,923 S * 8/2021 Stoler D23/252
2011/0220827 A1* 9/2011 Tortorello F16K 31/602
251/231

* cited by examiner

Primary Examiner — Robert A Delehanty

(74) *Attorney, Agent, or Firm* — Tyler A. Stevenson;
Anna-lisa L. Gallo

(57) **CLAIM**

We claim the ornamental design for a handle, shown and described.

DESCRIPTION

FIG. 1 is a top perspective view of a handle showing our new design;

FIG. 2 is a front view thereof;

FIG. 3 is a rear view thereof;

FIG. 4 is a left side view thereof;

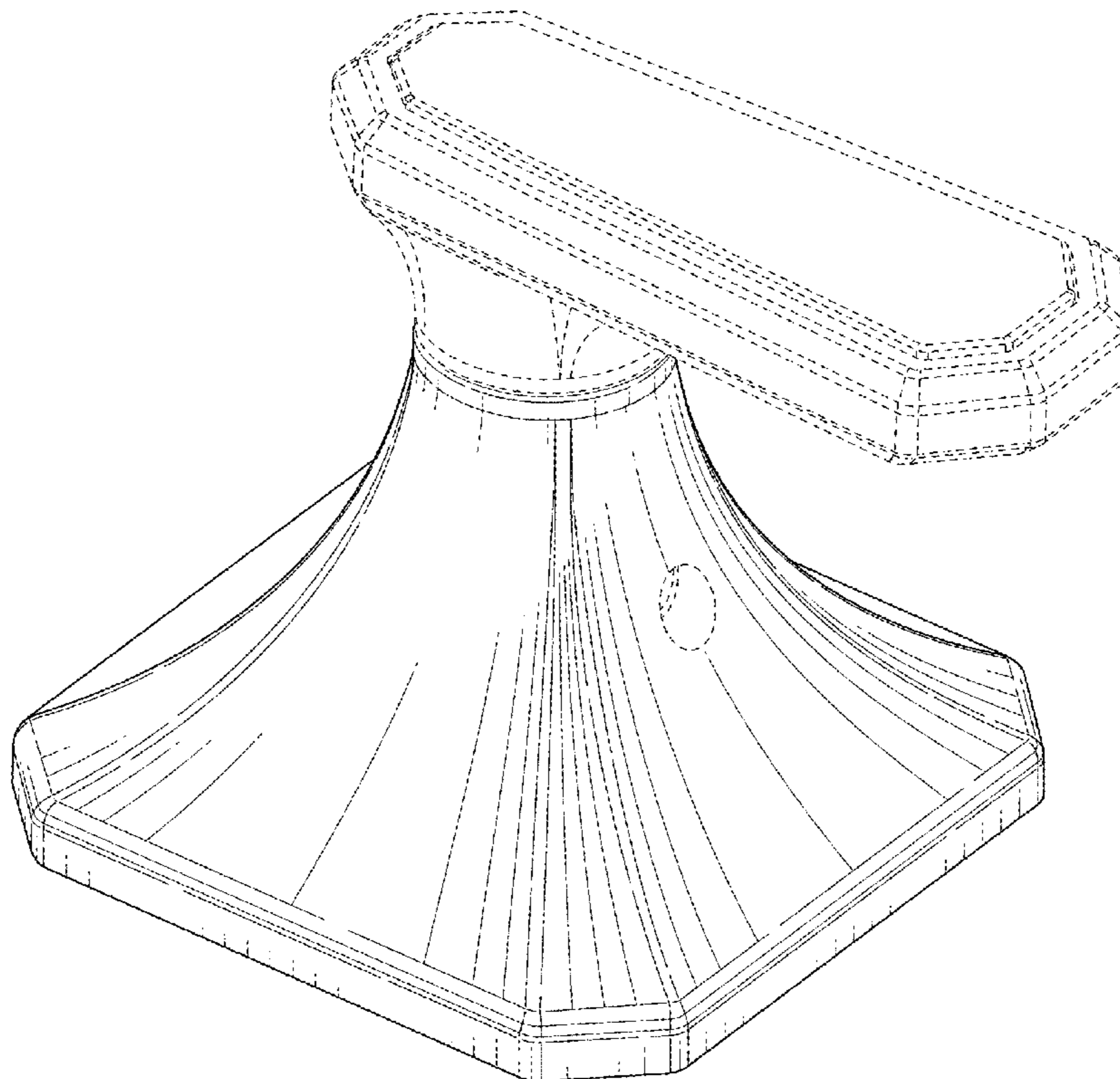
FIG. 5 is a right side view thereof;

FIG. 6 is a top view thereof; and,

FIG. 7 is a bottom view thereof.

The broken lines depict portions of the handle that form no part of the claimed design.

1 Claim, 7 Drawing Sheets



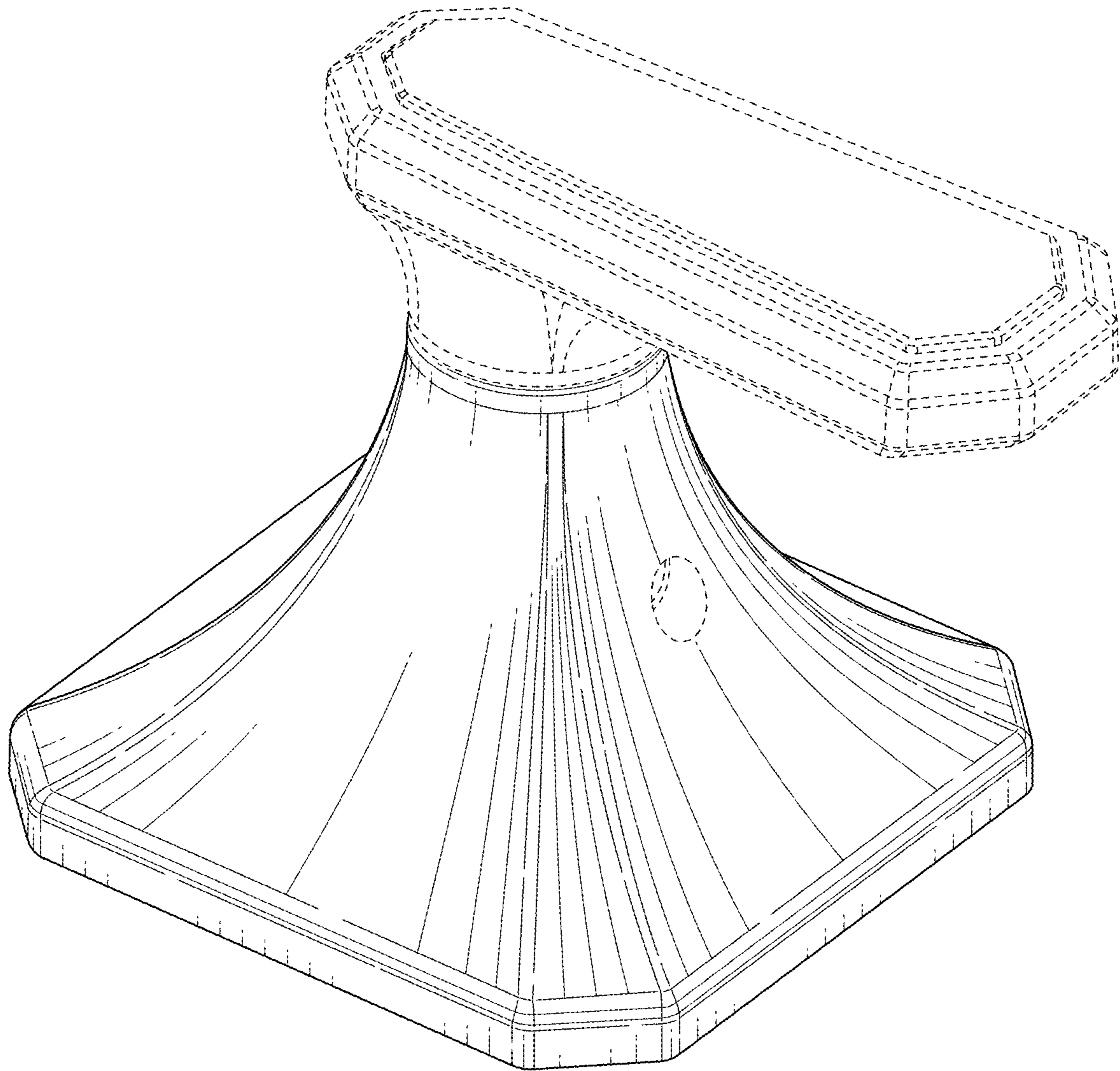


FIG. 1

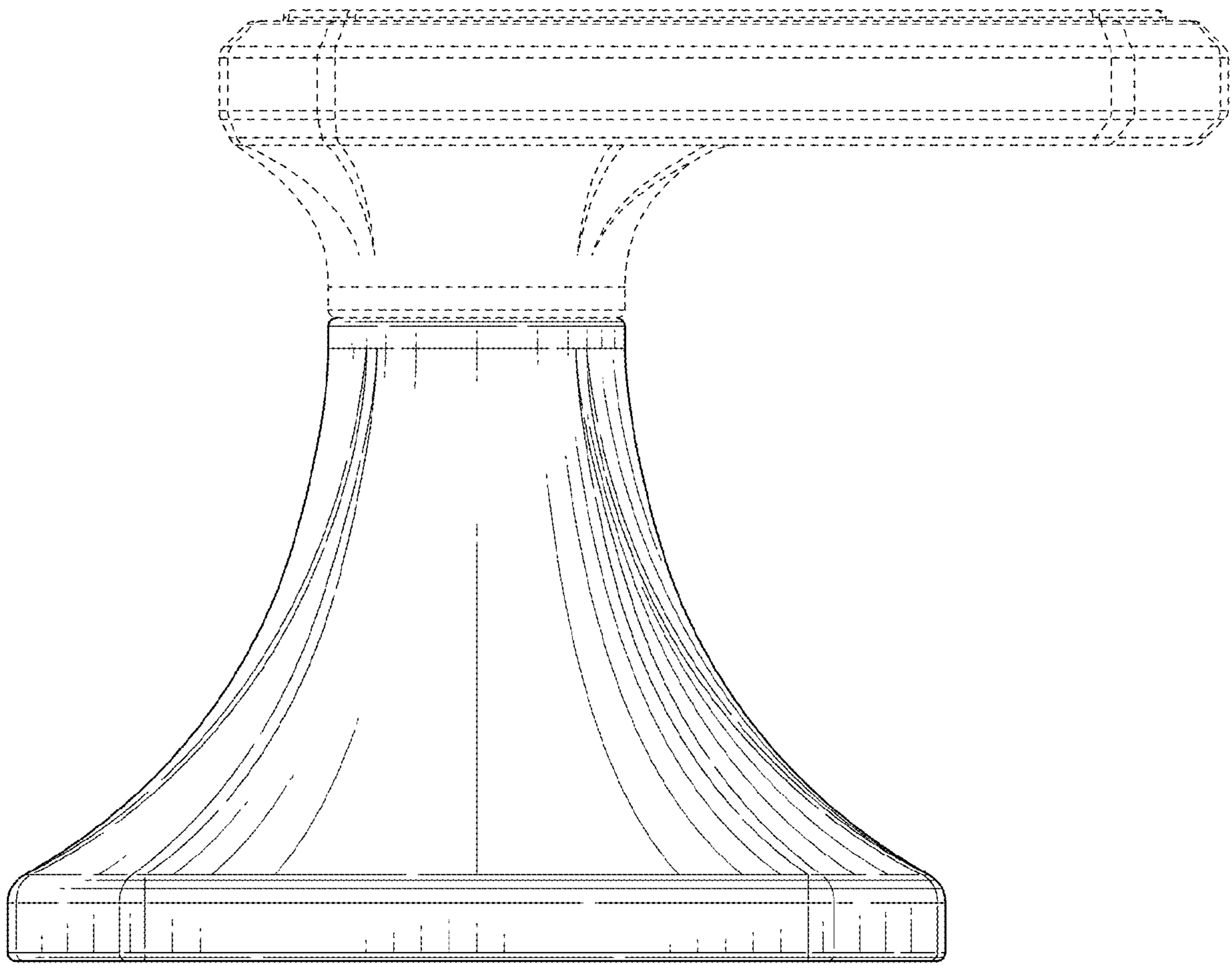


FIG. 2

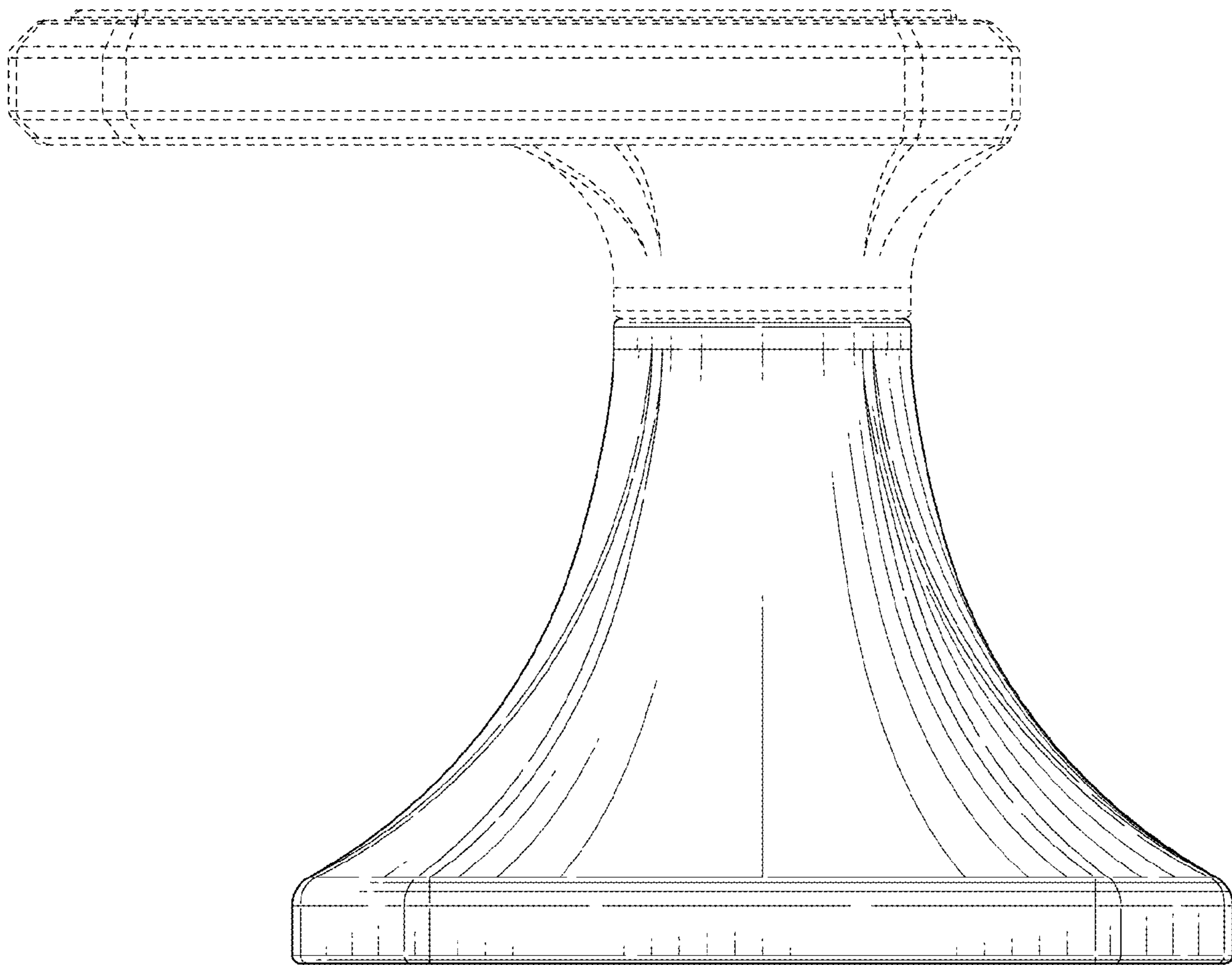


FIG. 3

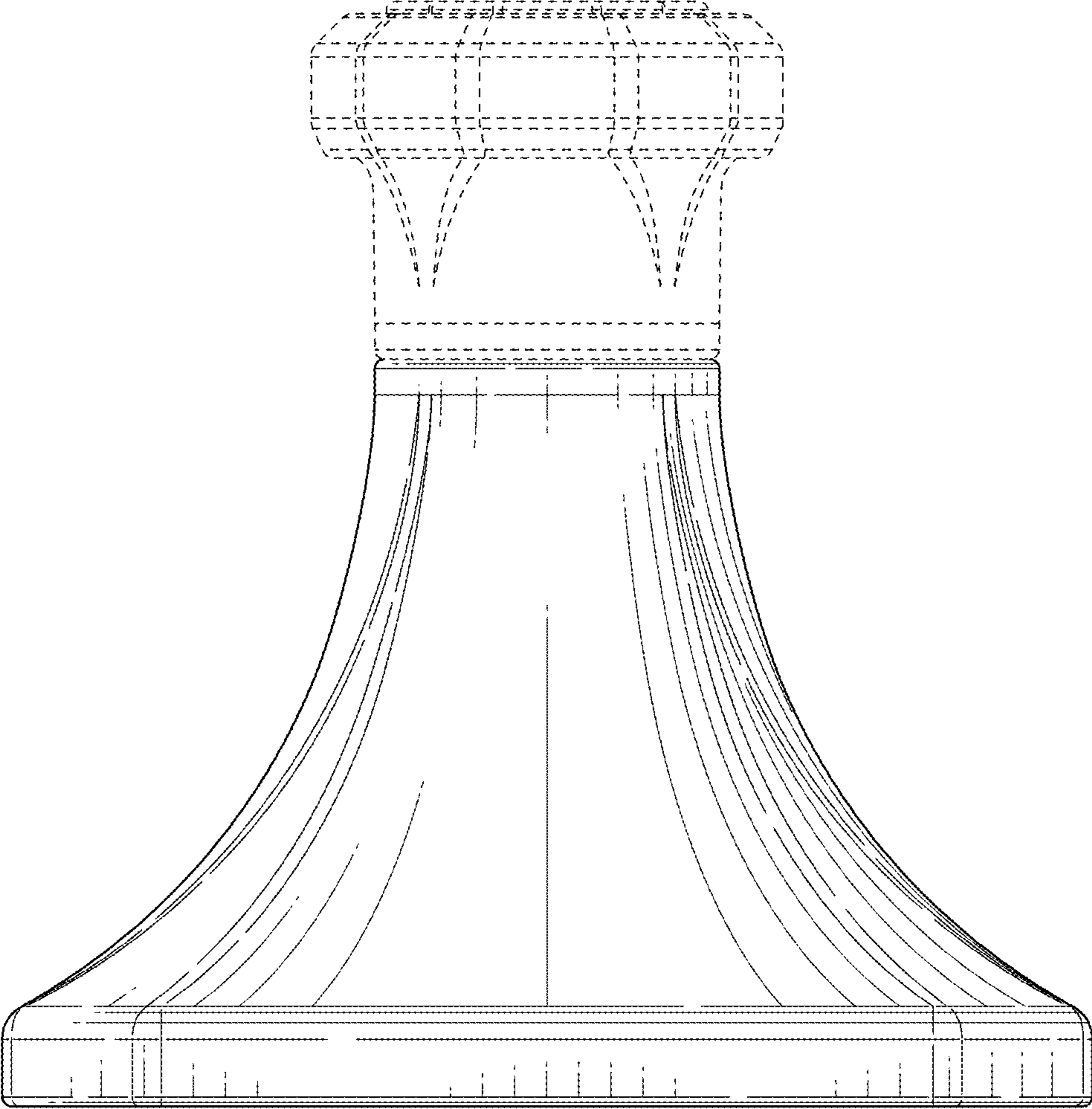


FIG. 4

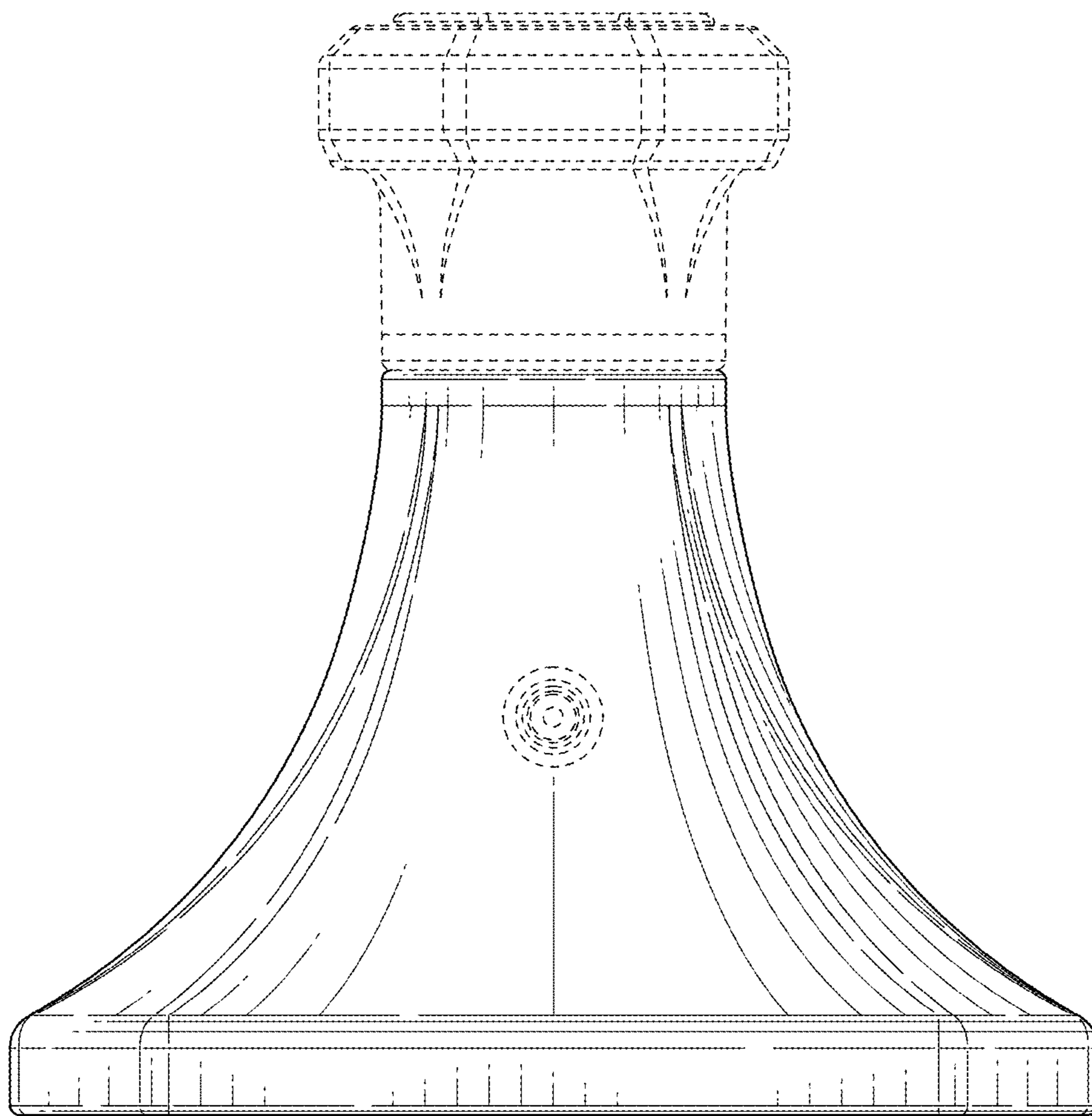


FIG. 5

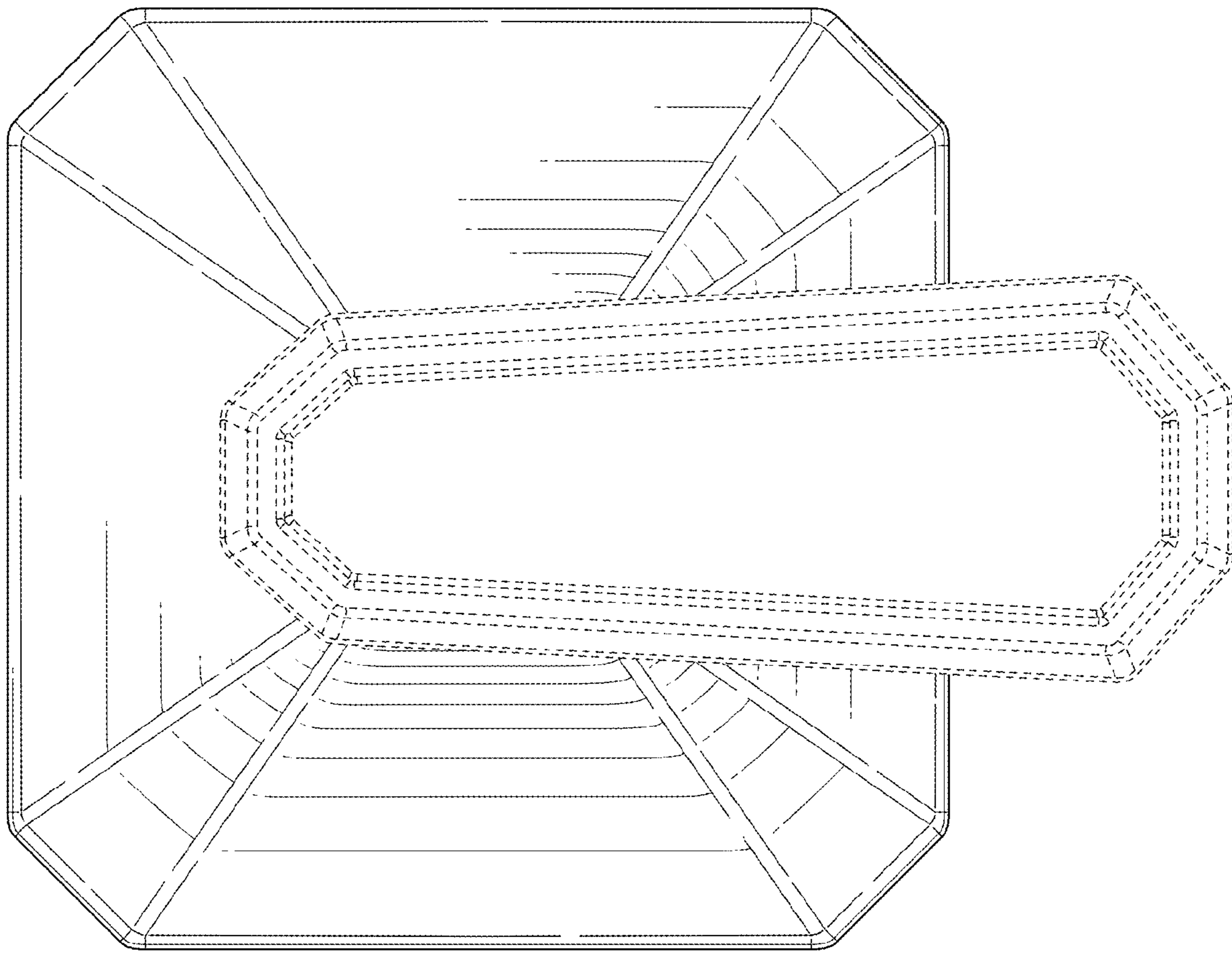


FIG. 6

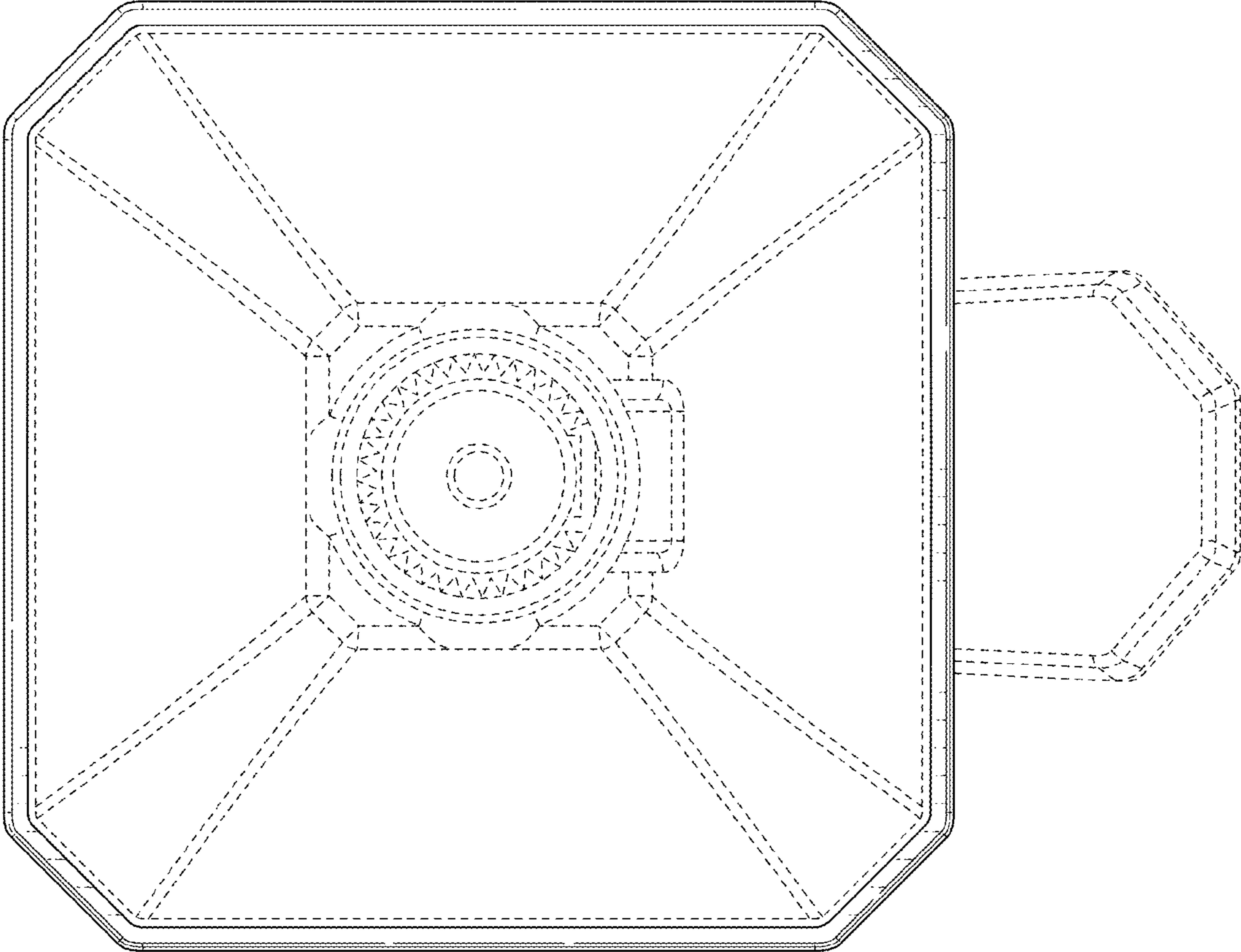


FIG. 7