



US00D939059S

(12) **United States Design Patent**
Park

(10) **Patent No.:** **US D939,059 S**

(45) **Date of Patent:** **** Dec. 21, 2021**

(54) **VALVE**

(71) Applicant: **DELTA FAUCET COMPANY,**
Indianapolis, IN (US)

(72) Inventor: **Maris Park,** McCordsville, IN (US)

(73) Assignee: **DELTA FAUCET COMPANY,**
Indianapolis, IN (US)

(**) Term: **15 Years**

(21) Appl. No.: **29/738,099**

(22) Filed: **Jun. 15, 2020**

(51) **LOC (13) Cl.** **23-01**

(52) **U.S. Cl.**
USPC **D23/254**

(58) **Field of Classification Search**
USPC D23/238–243, 250, 524, 213;
D8/307–308, 353

See application file for complete search history.

(56) **References Cited**

U.S. PATENT DOCUMENTS

D785,763 S * 5/2017 Eads D23/254
D789,492 S * 6/2017 Dube D23/254

D789,493 S * 6/2017 Dube D23/254
D868,945 S * 12/2019 Garland D23/252
D882,736 S * 4/2020 Eads D23/252
10,689,835 B2 * 6/2020 Davidson E03C 1/0412
D916,244 S * 4/2021 Eads D23/254

* cited by examiner

Primary Examiner — Robert A Delehanty

(74) *Attorney, Agent, or Firm* — Nirav D. Parikh; Edgar
A. Zarins

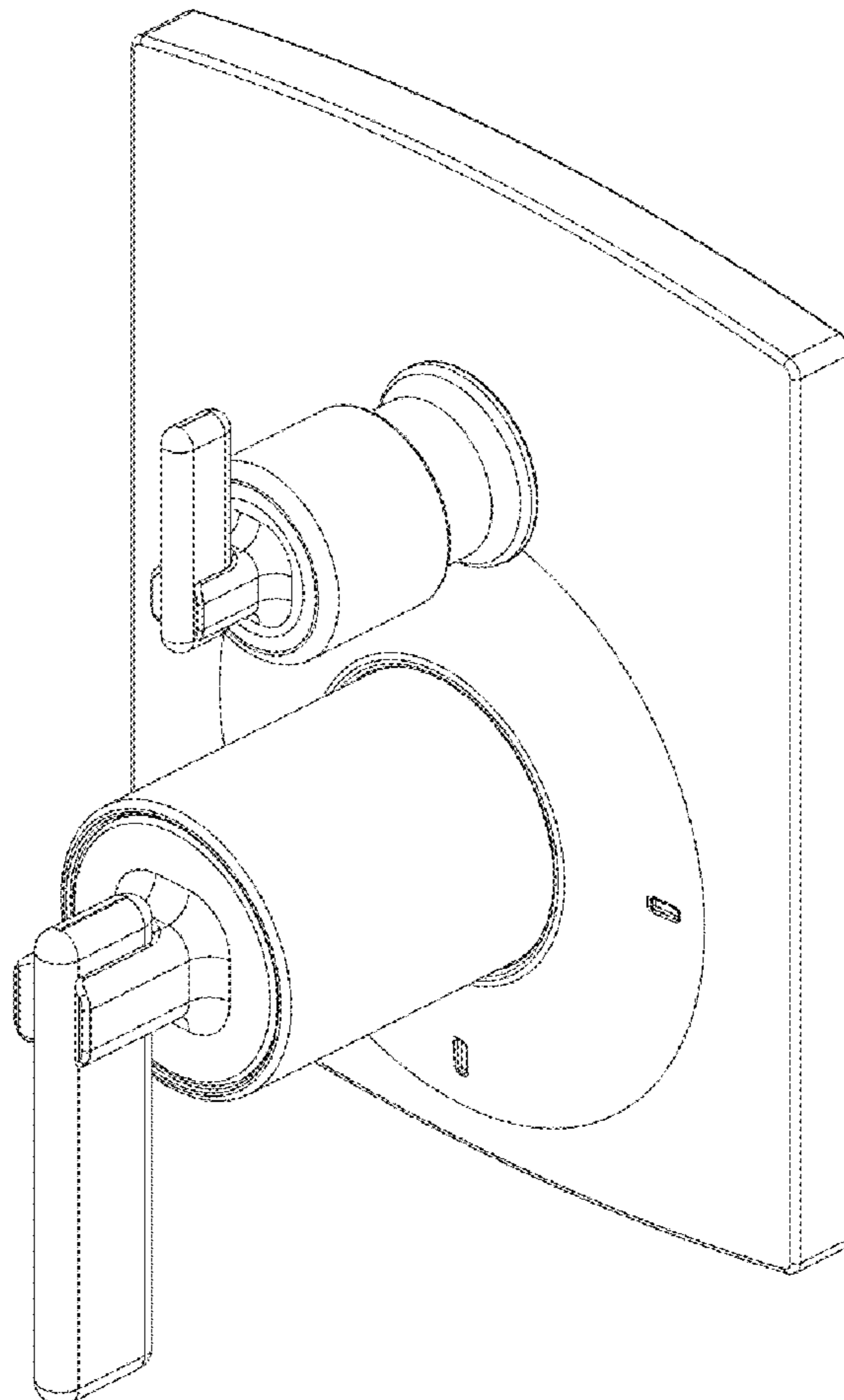
(57) **CLAIM**

The ornamental design for a valve, as shown and described.

DESCRIPTION

FIG. 1 is a front perspective view of a valve showing my
new design;
FIG. 2 is a rear perspective view thereof;
FIG. 3 is a front elevational view thereof;
FIG. 4 is a left side view thereof;
FIG. 5 is a rear view thereof;
FIG. 6 is a right side view thereof;
FIG. 7 is a top plan view thereof; and,
FIG. 8 is a bottom view thereof.

1 Claim, 4 Drawing Sheets



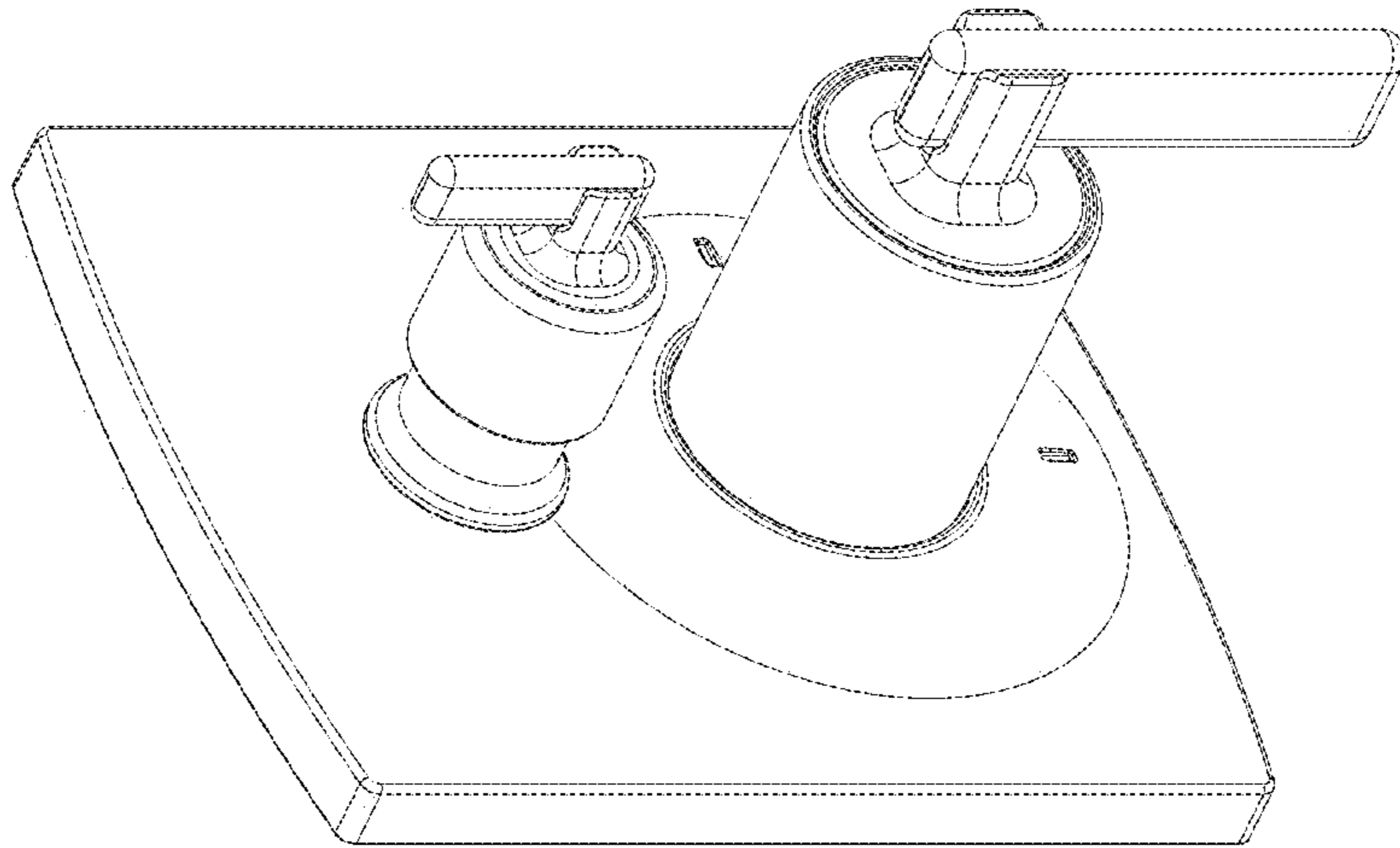


FIG-2

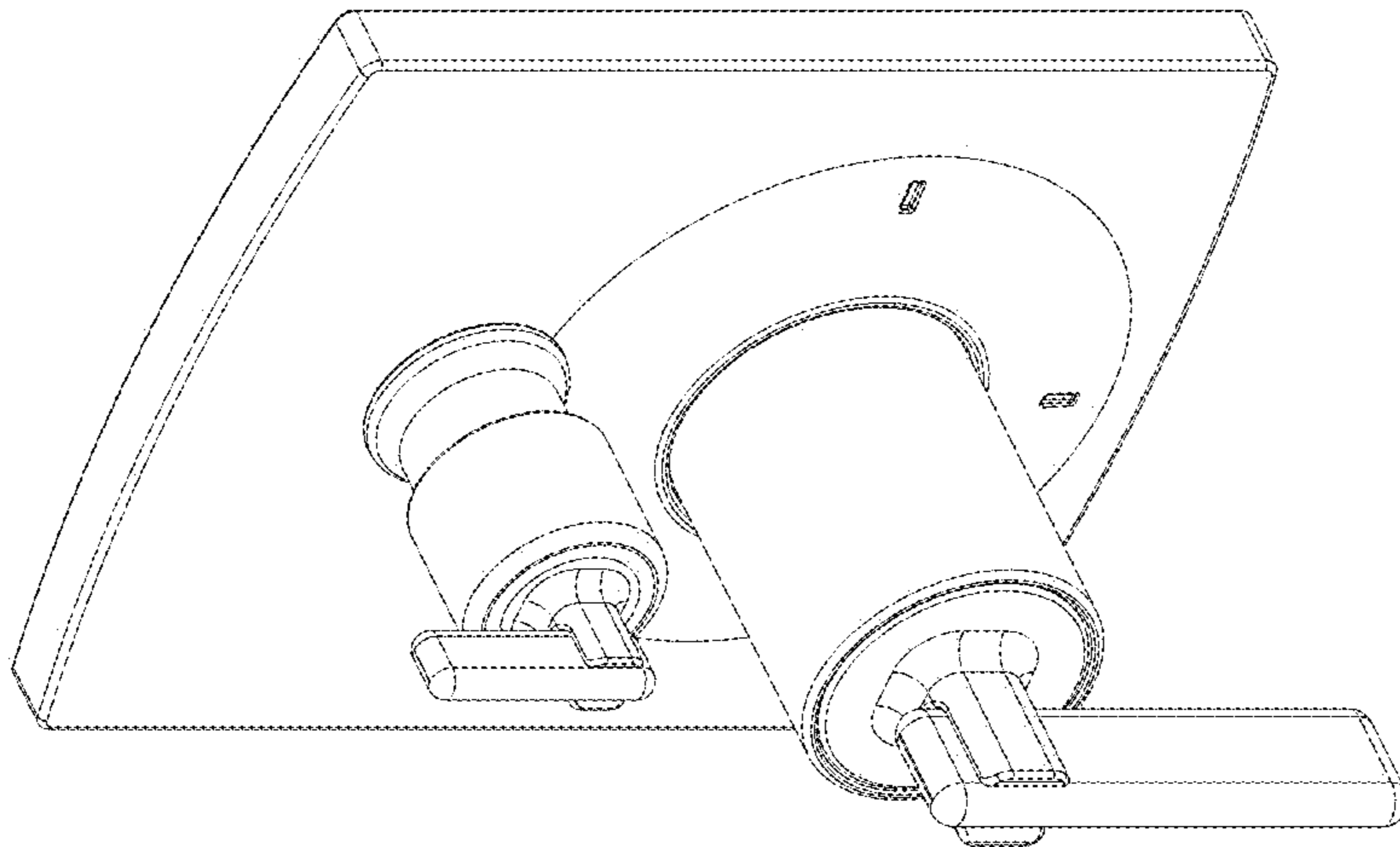


FIG-1

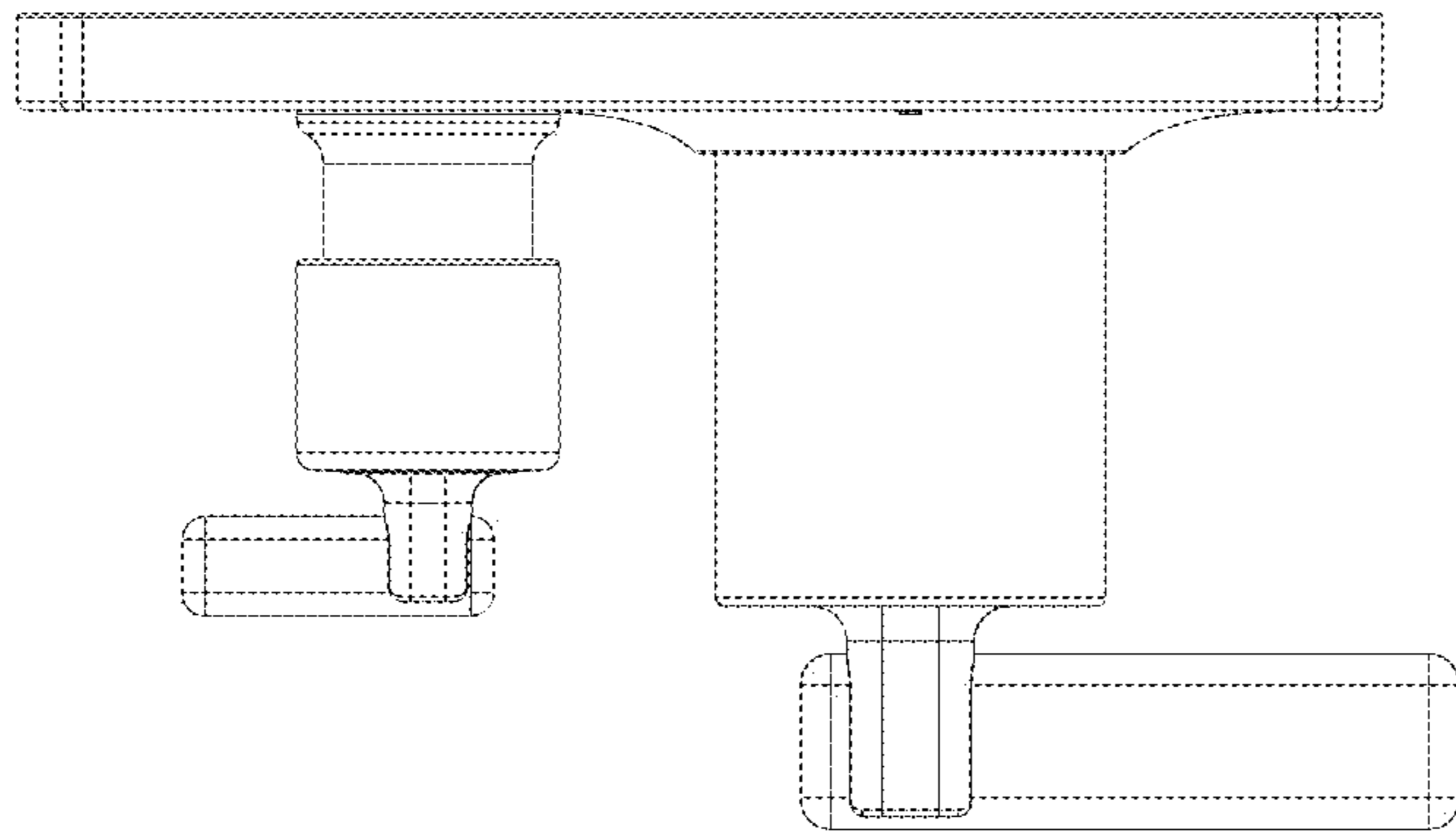


FIG-4

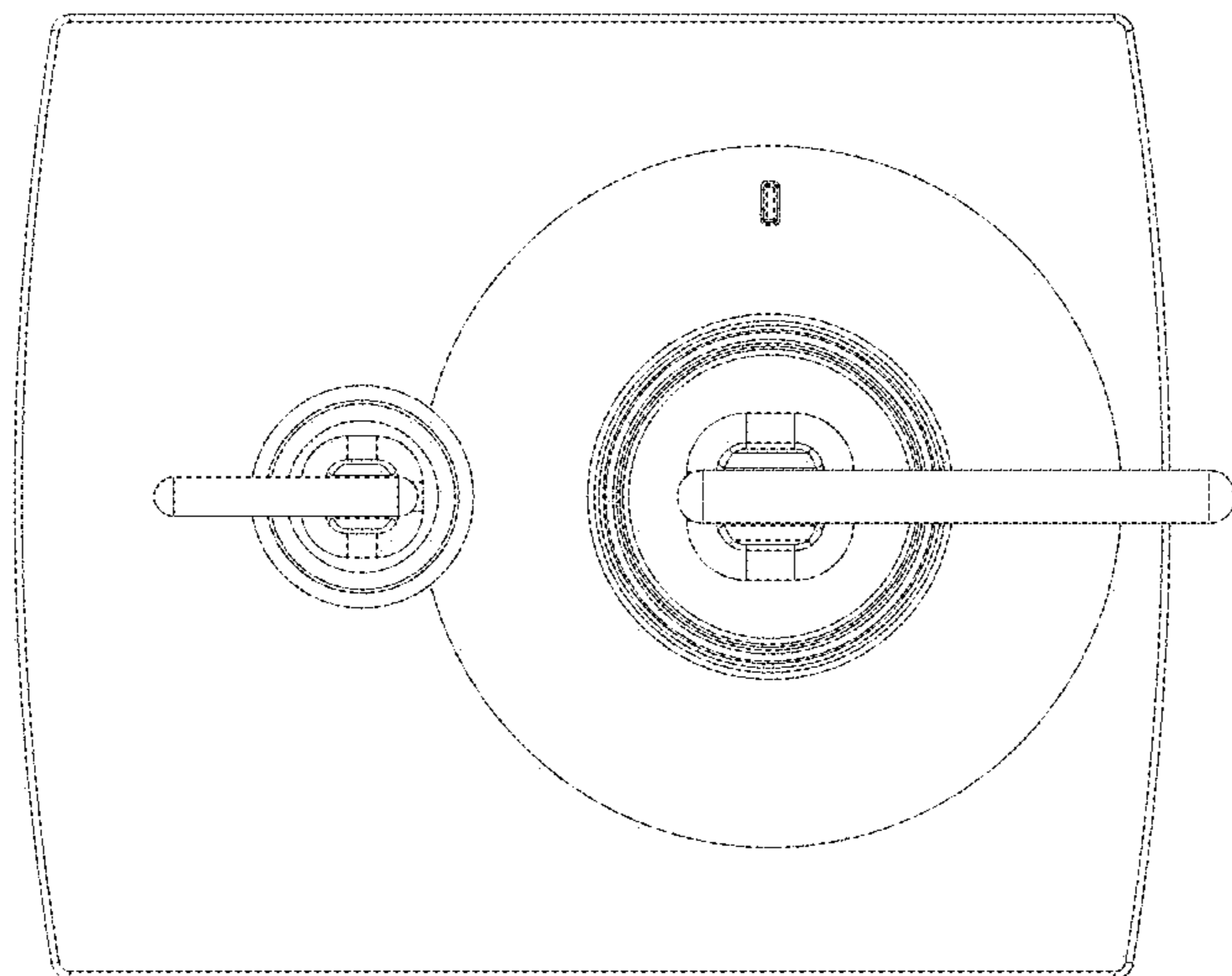


FIG-3

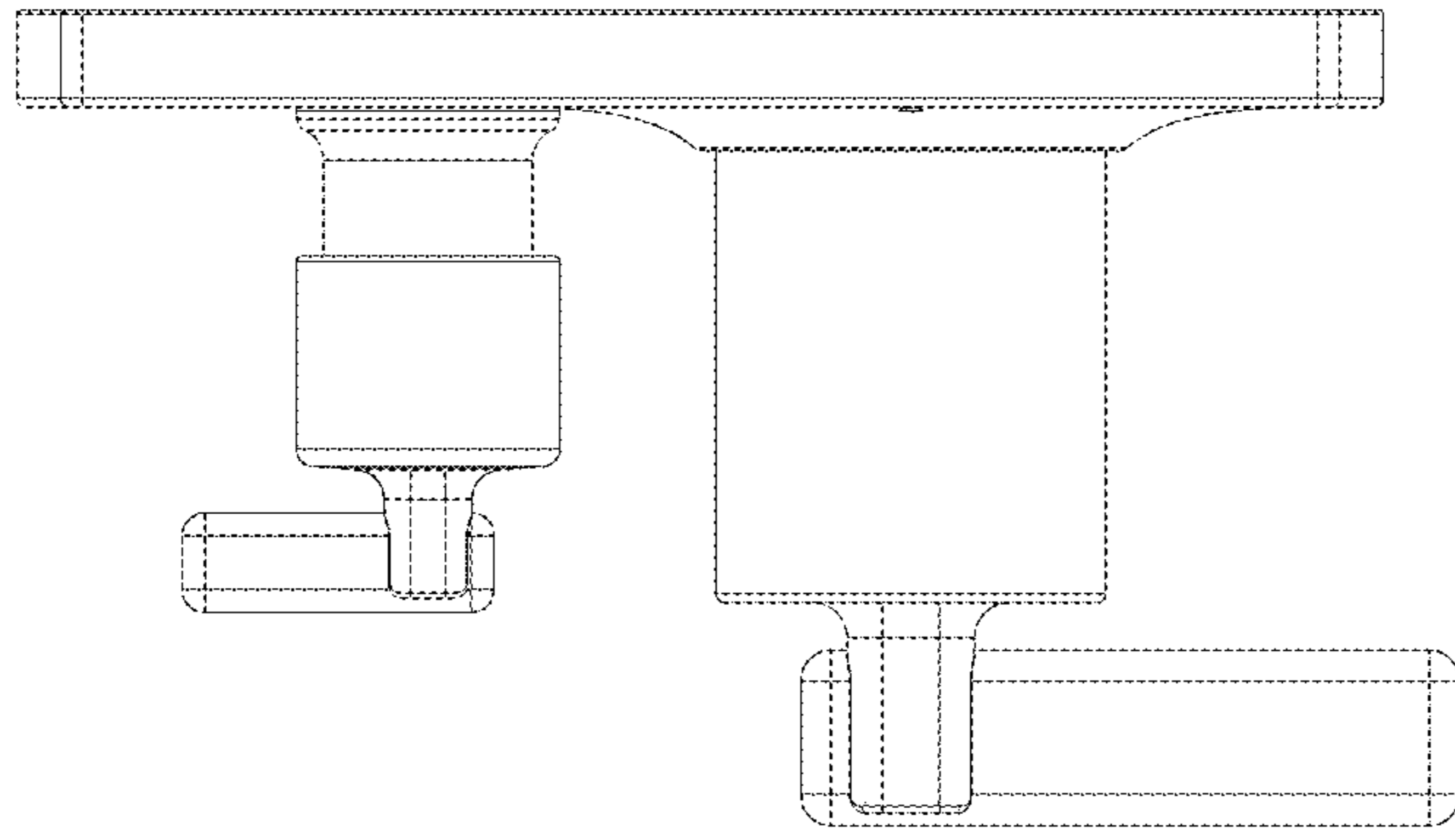


FIG-6



FIG-5

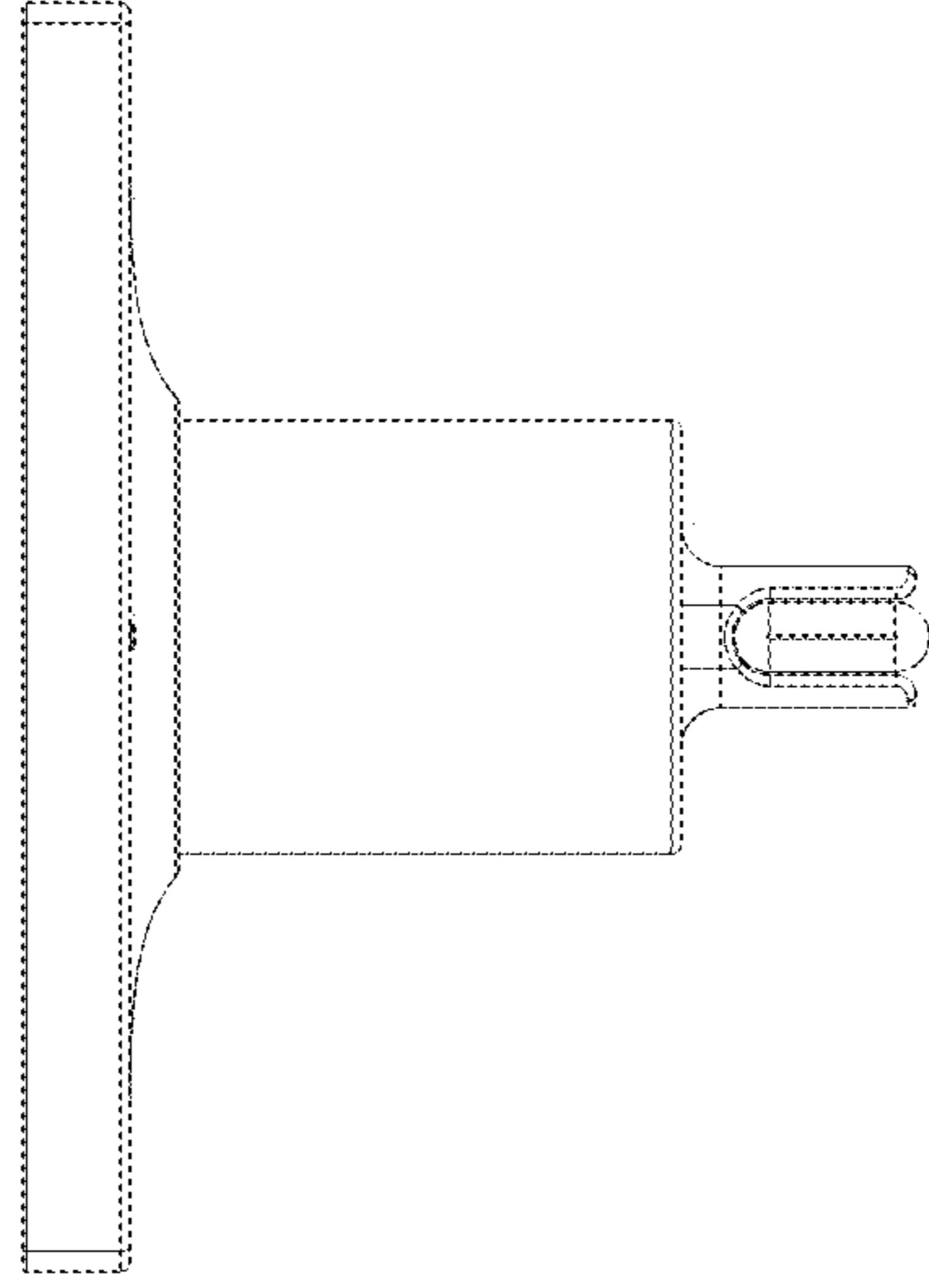


FIG-8

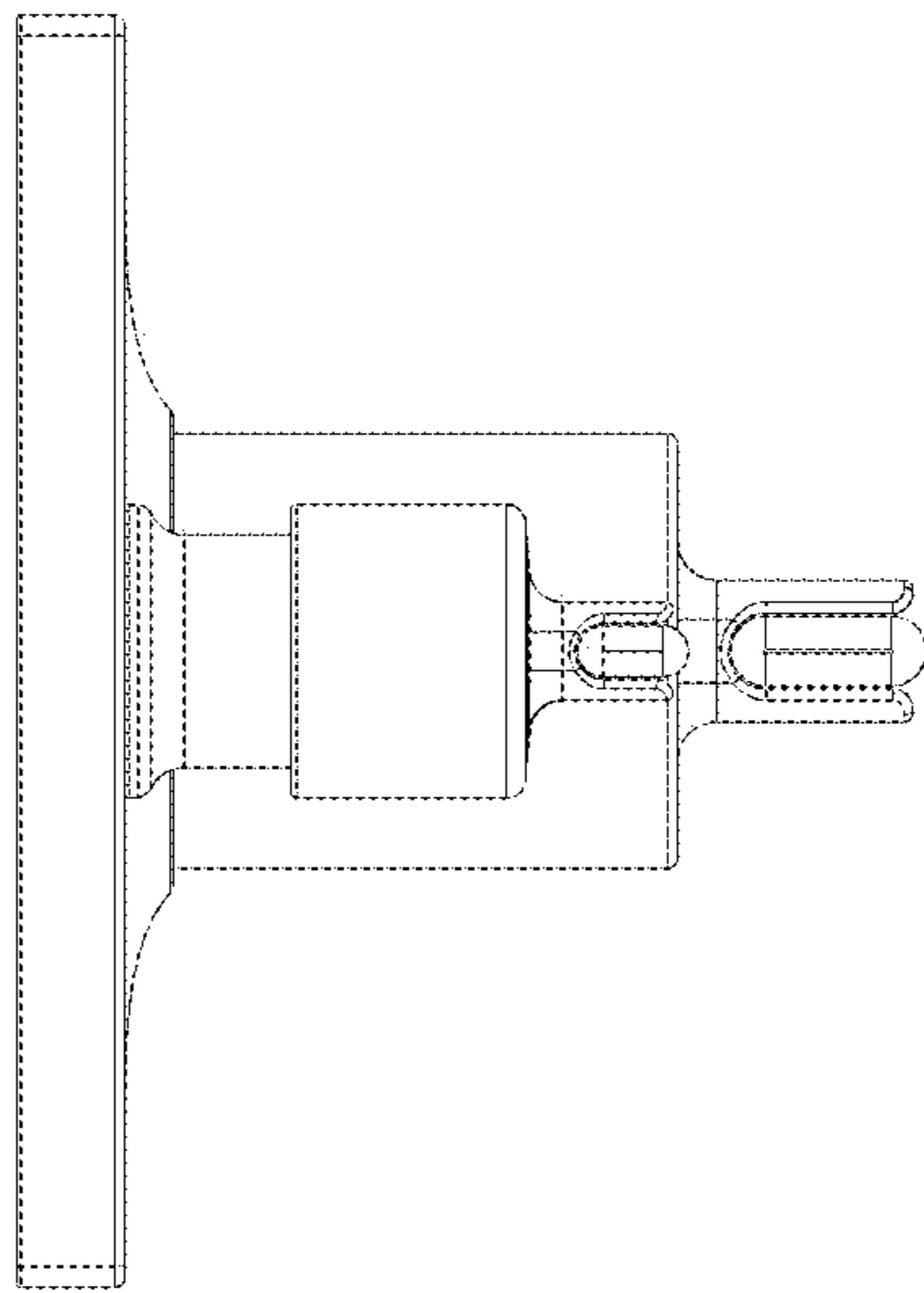


FIG-7