



US00D939056S

(12) **United States Design Patent**
Diefenbach et al.

(10) **Patent No.:** **US D939,056 S**
(45) **Date of Patent:** **** Dec. 21, 2021**

(54) **WALL MOUNTED FAUCET**

FOREIGN PATENT DOCUMENTS

(71) Applicant: **HANSGROHE SE**, Schiltach (DE)

CN 302093141 9/2012

(72) Inventors: **Andreas Diefenbach**,
Ludwigsburg-Ossweil (DE); **Alvaro Witt**,
Stuttgart (DE)

CN 302123951 10/2012

CN 304718129 7/2018

EM 000519095-0006 6/2006

* cited by examiner

(73) Assignee: **Hansgrohe SE**, Schiltach (DE)

Primary Examiner — Robert A Delehanty

(**) Term: **15 Years**

(74) *Attorney, Agent, or Firm* — Lora J. Graentzdoerffer

(21) Appl. No.: **29/727,487**

(57) **CLAIM**

(22) Filed: **Mar. 11, 2020**

The ornamental design for a wall mounted faucet, as shown and described.

(51) **LOC (13) Cl.** **23-01**

(52) **U.S. Cl.**
USPC **D23/254**

DESCRIPTION

(58) **Field of Classification Search**
USPC D23/238–243, 250, 524, 213;
D8/307–308, 353
See application file for complete search history.

FIG. 1 is a perspective view of a wall mounted faucet showing our design;
FIG. 2 is a front elevational view;
FIG. 3 is a rear elevational view;
FIG. 4 is a side elevational view;
FIG. 5 is a top plan view; and,
FIG. 6 is a bottom plan view.

(56) **References Cited**

U.S. PATENT DOCUMENTS

D500,841 S *	1/2005	Citterio	D23/238
D758,551 S *	6/2016	Flowers	D23/255
D819,184 S *	5/2018	Seum	D23/254
D828,516 S *	9/2018	Liu	D23/242
D912,212 S *	3/2021	Liu	D23/238

The broken line disclosures in the view represents portions of the wall mounted faucet in which the claimed design is embodied, but which forms no part of the claimed design.

1 Claim, 6 Drawing Sheets

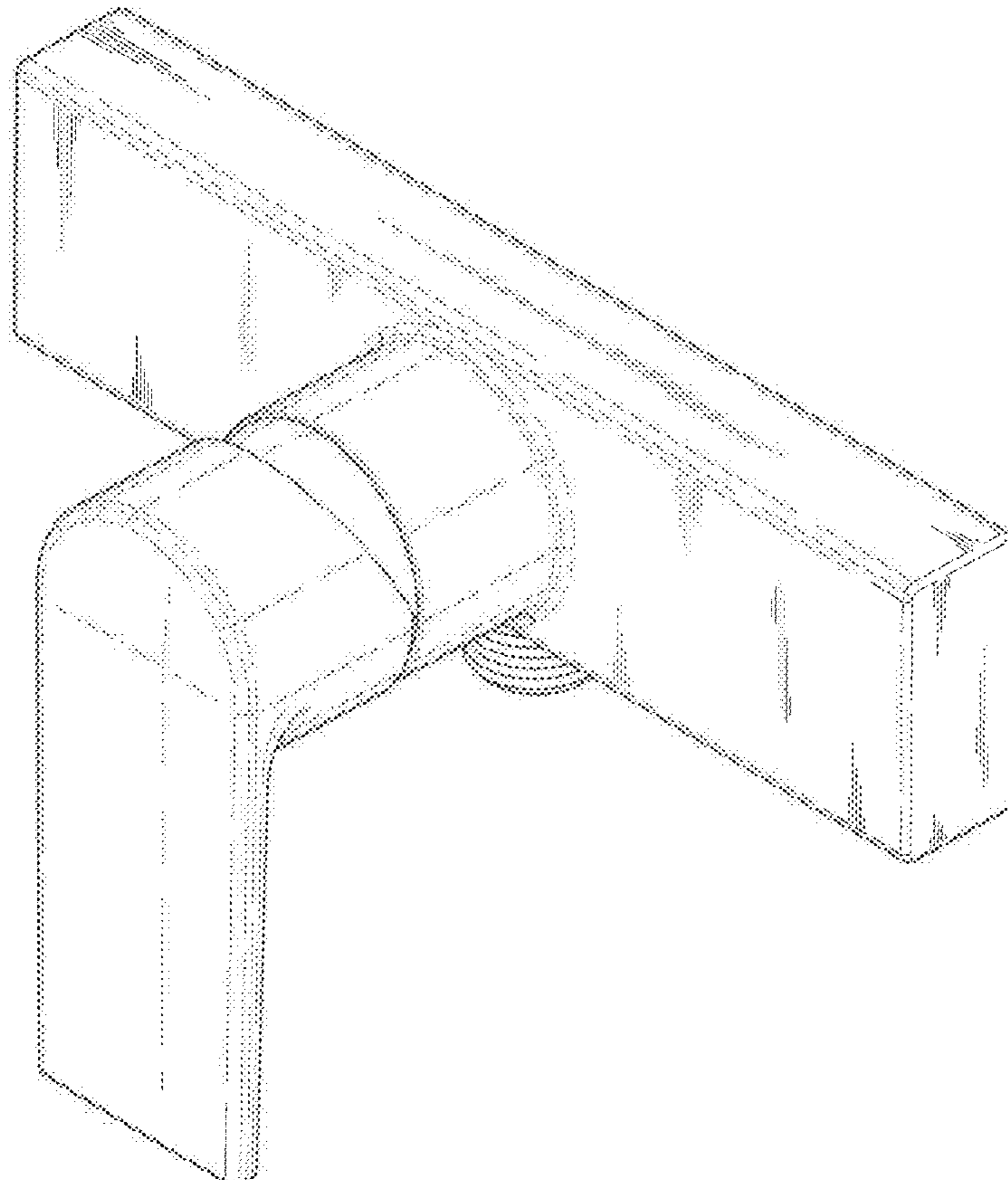


FIG. 1

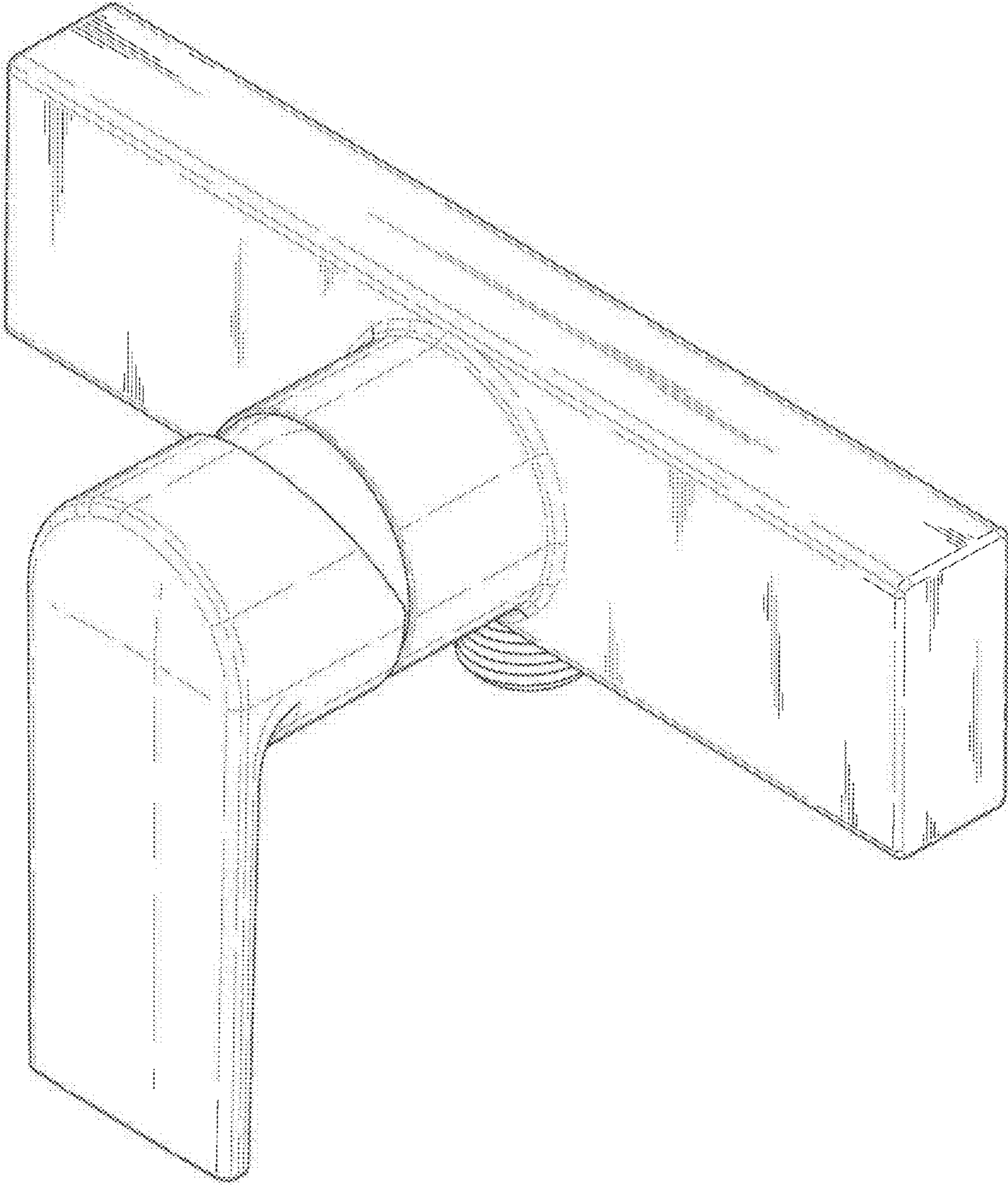


FIG. 2

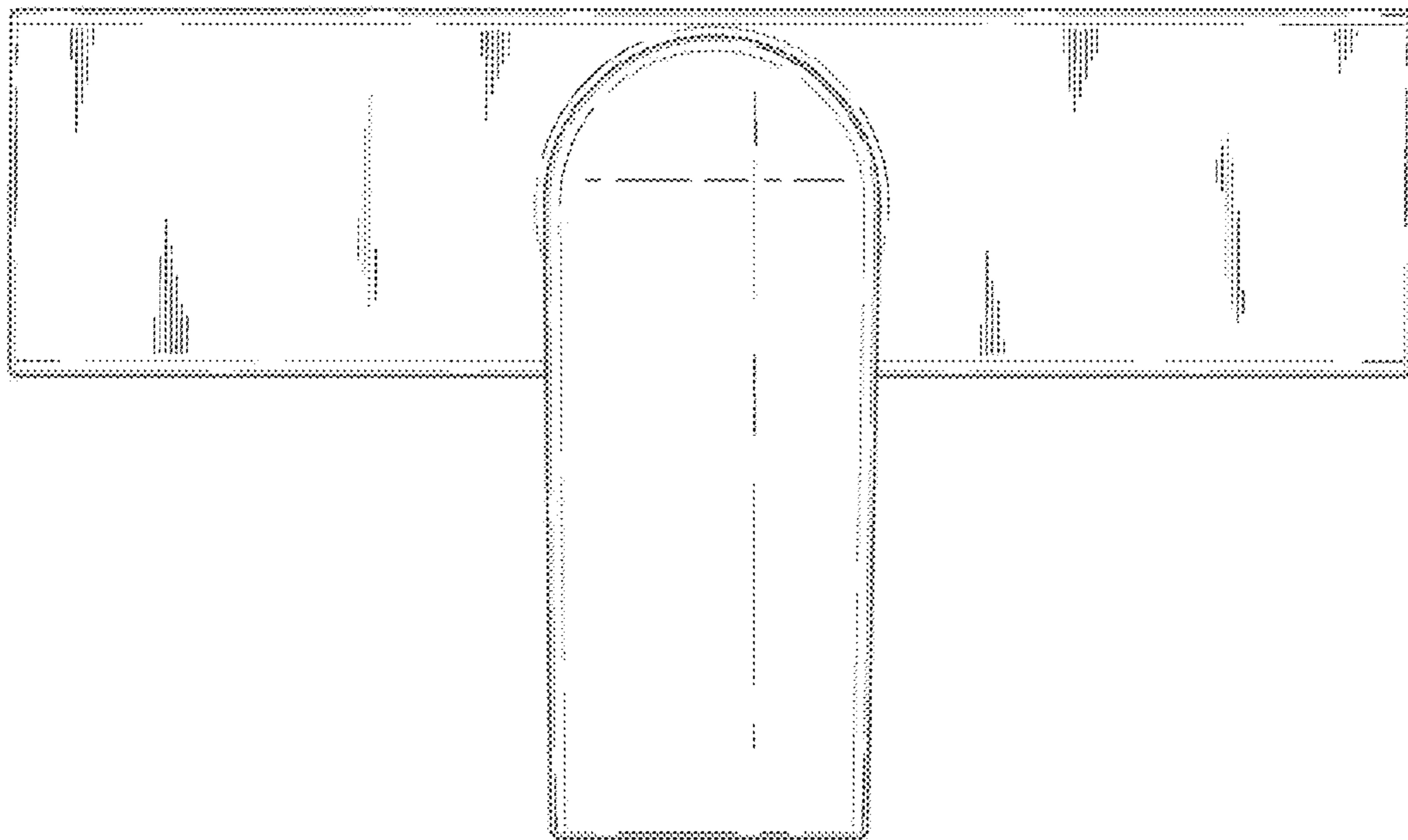


FIG. 3

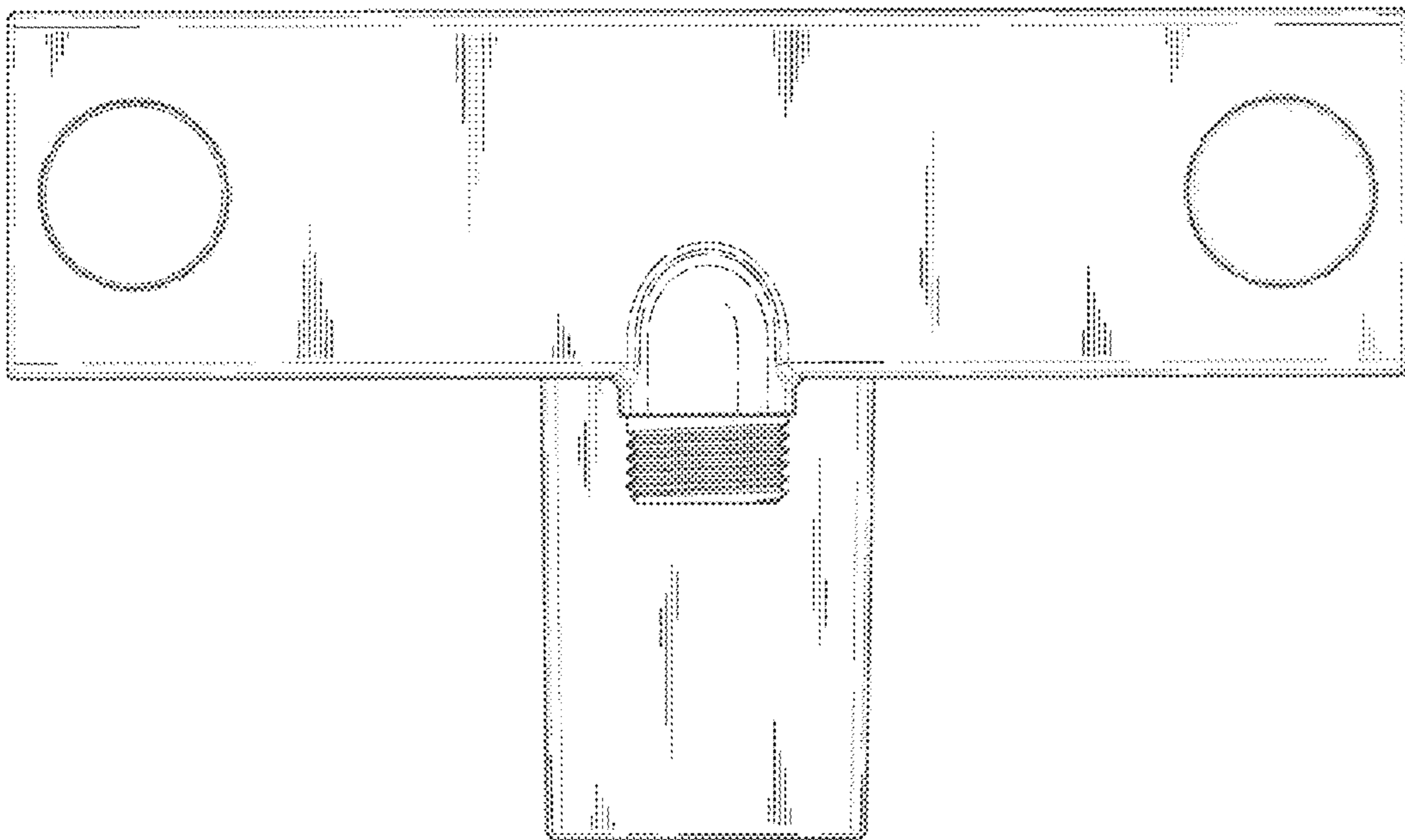


FIG. 4

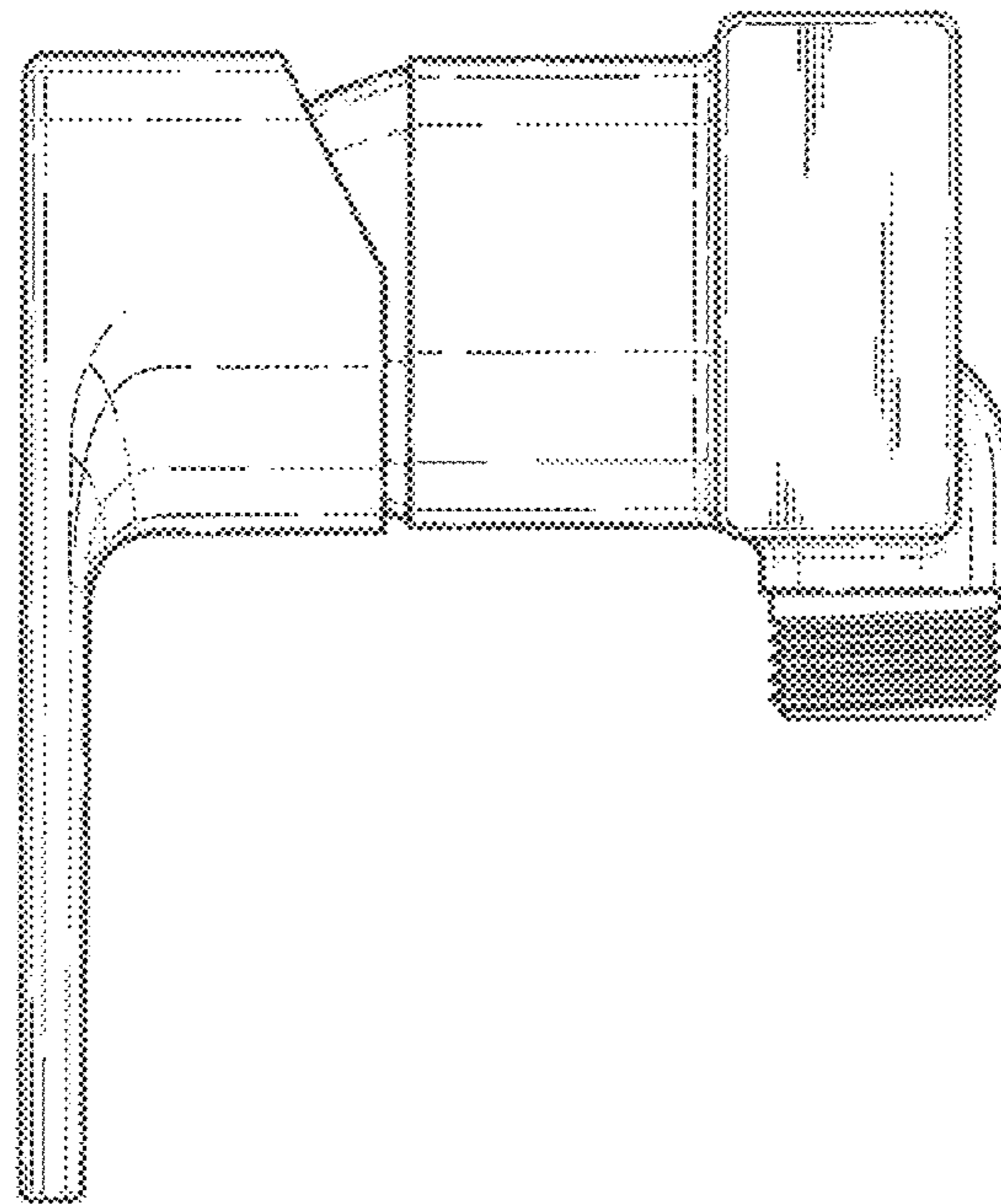


FIG. 5

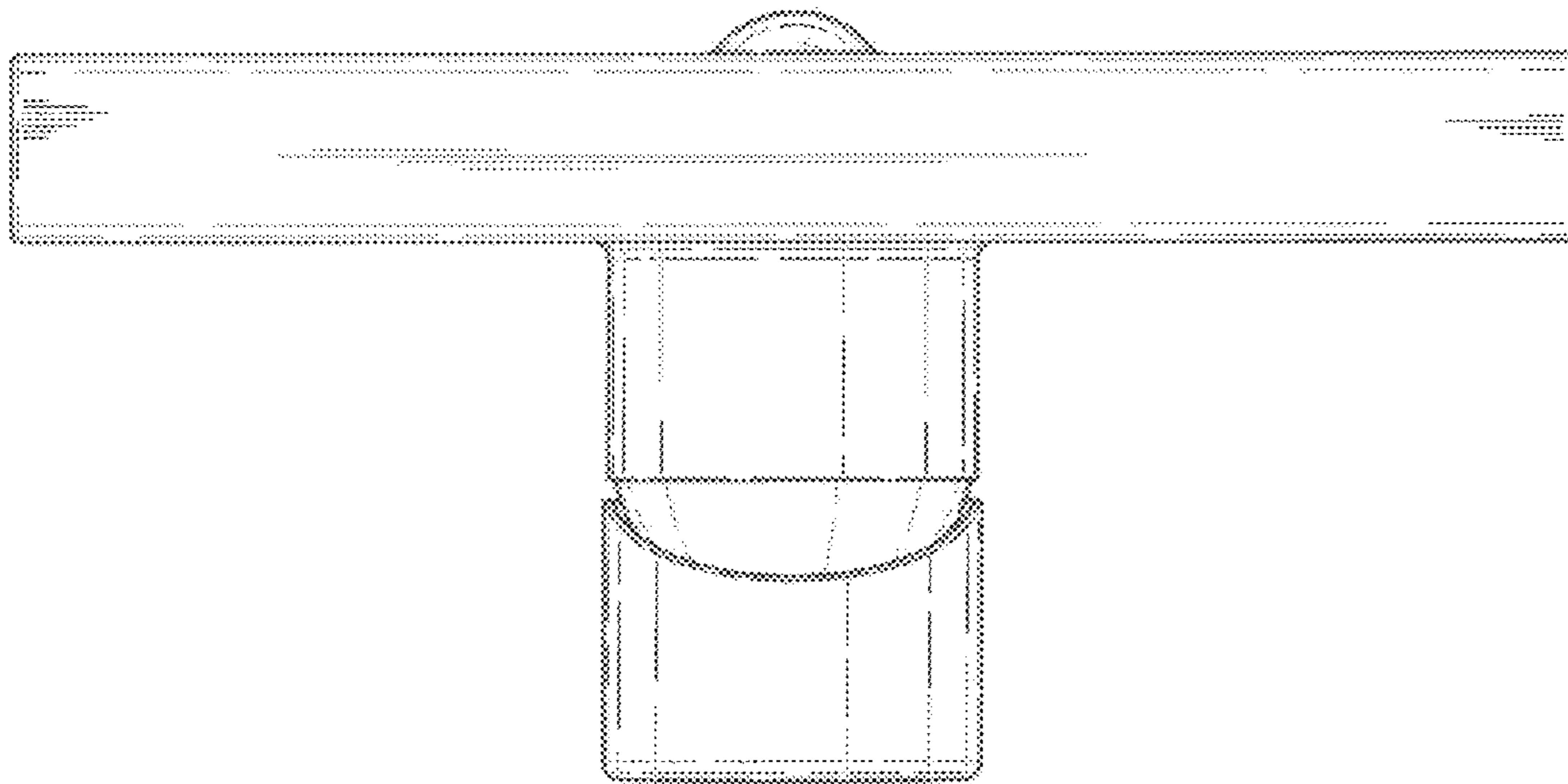


FIG. 6

