



US00D939055S

(12) **United States Design Patent** (10) **Patent No.:** **US D939,055 S**  
**Fritz** (45) **Date of Patent:** **\*\* Dec. 21, 2021**

(54) **FAUCET**

FOREIGN PATENT DOCUMENTS

(71) Applicant: **DELTA FAUCET COMPANY,**  
Indianapolis, IN (US)

CA 167547 \* 3/2016  
CA 181237 \* 5/2018  
CA 182145 \* 6/2018

(72) Inventor: **Seth Fritz,** Carmel, IN (US)

OTHER PUBLICATIONS

(73) Assignee: **DELTA FAUCET COMPANY,**  
Indianapolis, IN (US)

(\*\*) Term: **15 Years**

(21) Appl. No.: **29/736,337**

(22) Filed: **May 29, 2020**

(51) **LOC (13) Cl.** ..... **23-01**

(52) **U.S. Cl.**  
USPC ..... **D23/242**

(58) **Field of Classification Search**  
USPC ..... D23/238–244, 252, 254–255, 257  
CPC .... F16K 31/602; F16K 31/605; F16K 31/607;  
E03C 1/0412

See application file for complete search history.

Price Pfister GT31-TDY High Arc Spout Port Haven 2 Handle Kitchen Faucet, first available Mar. 29, 2016 [online ], [site visited Aug. 11, 2021]. Available from internet, URL:< https://www.amazon.com/Pfister-GT31-TDY-Handle-Kitchen-Faucet/dp/B01DKC3EFM > (Year: 2016).\*

Delta Faucet P2923LF Westchester Bridge Kitchen Faucet, first available Dec. 28, 2018 [online], [site visited Aug. 11, 2021]. Available from internet, URL:< https://www.amazon.ca/Delta-Faucet-P2923LF-Westchester-Kitchen/dp/B07HKXKRCS > (Year: 2018).\*

\* cited by examiner

*Primary Examiner* — Barbara Fox

*Assistant Examiner* — Jamaal Rasheed

(74) *Attorney, Agent, or Firm* — Nirav D. Parikh; Edgar A. Zarins

(57) **CLAIM**

The ornamental design for a faucet, as shown and described.

**DESCRIPTION**

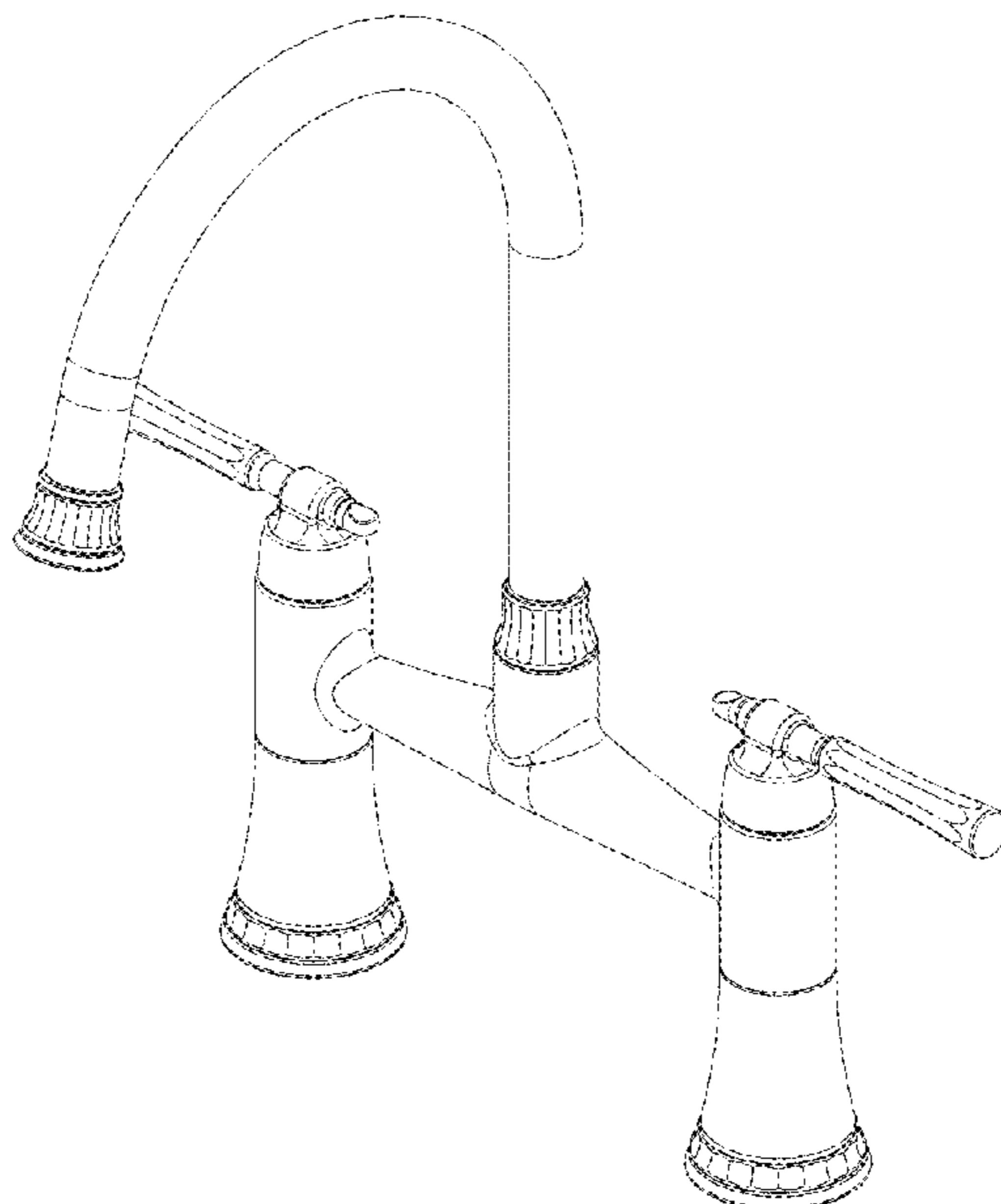
(56) **References Cited**

U.S. PATENT DOCUMENTS

D510,613 S	*	10/2005	Lammel	.....	D23/241
D511,815 S	*	11/2005	Egee	.....	D23/241
D533,637 S	*	12/2006	Berberet	.....	D23/241
D540,918 S	*	4/2007	Haug	.....	D23/241
D569,482 S	*	5/2008	Hanna	.....	D23/238
D685,880 S	*	7/2013	Fritz	.....	D23/242
D686,301 S	*	7/2013	Fritz	.....	D23/249
D797,245 S	*	9/2017	Downey	.....	D23/242
D835,239 S	*	12/2018	Ziemann	.....	D23/242
D839,993 S	*	2/2019	Garland	.....	D23/242
D840,510 S	*	2/2019	Garland	.....	D23/242
D852,327 S	*	6/2019	Garland	.....	D23/242
D853,530 S	*	7/2019	Eads	.....	D23/242

FIG. 1 is a front perspective view of a faucet showing my new design;  
FIG. 2 is another perspective view thereof;  
FIG. 3 is a front elevational view thereof;  
FIG. 4 is a left side view thereof;  
FIG. 5 is a rear view thereof;  
FIG. 6 is another left side view thereof;  
FIG. 7 is a top plan view thereof; and,  
FIG. 8 is a bottom view thereof.  
The broken lines shown in the drawings depict portions of the faucet that form no part of the claimed design.

**1 Claim, 4 Drawing Sheets**



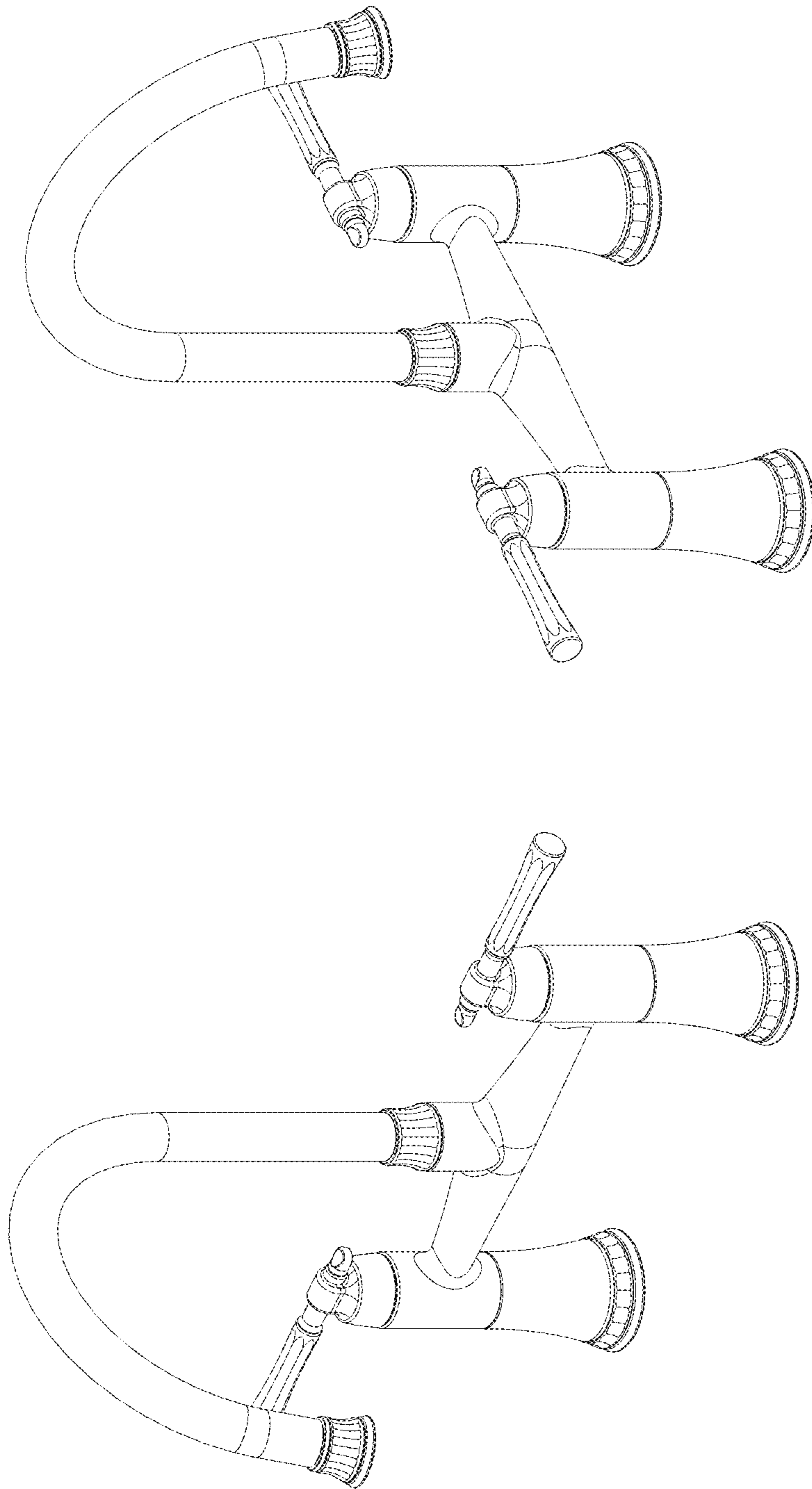


FIG-1

FIG-2

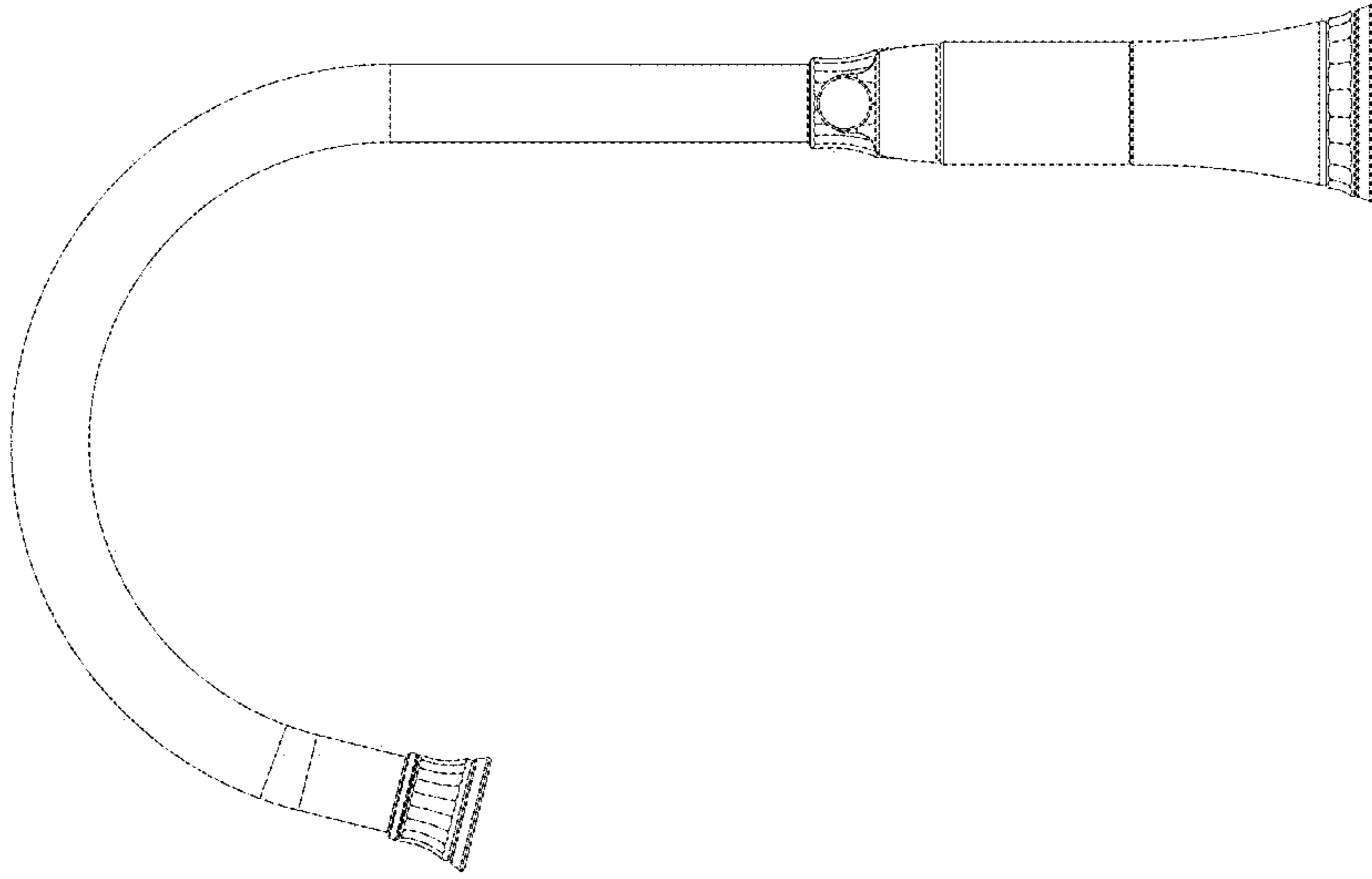


FIG-4

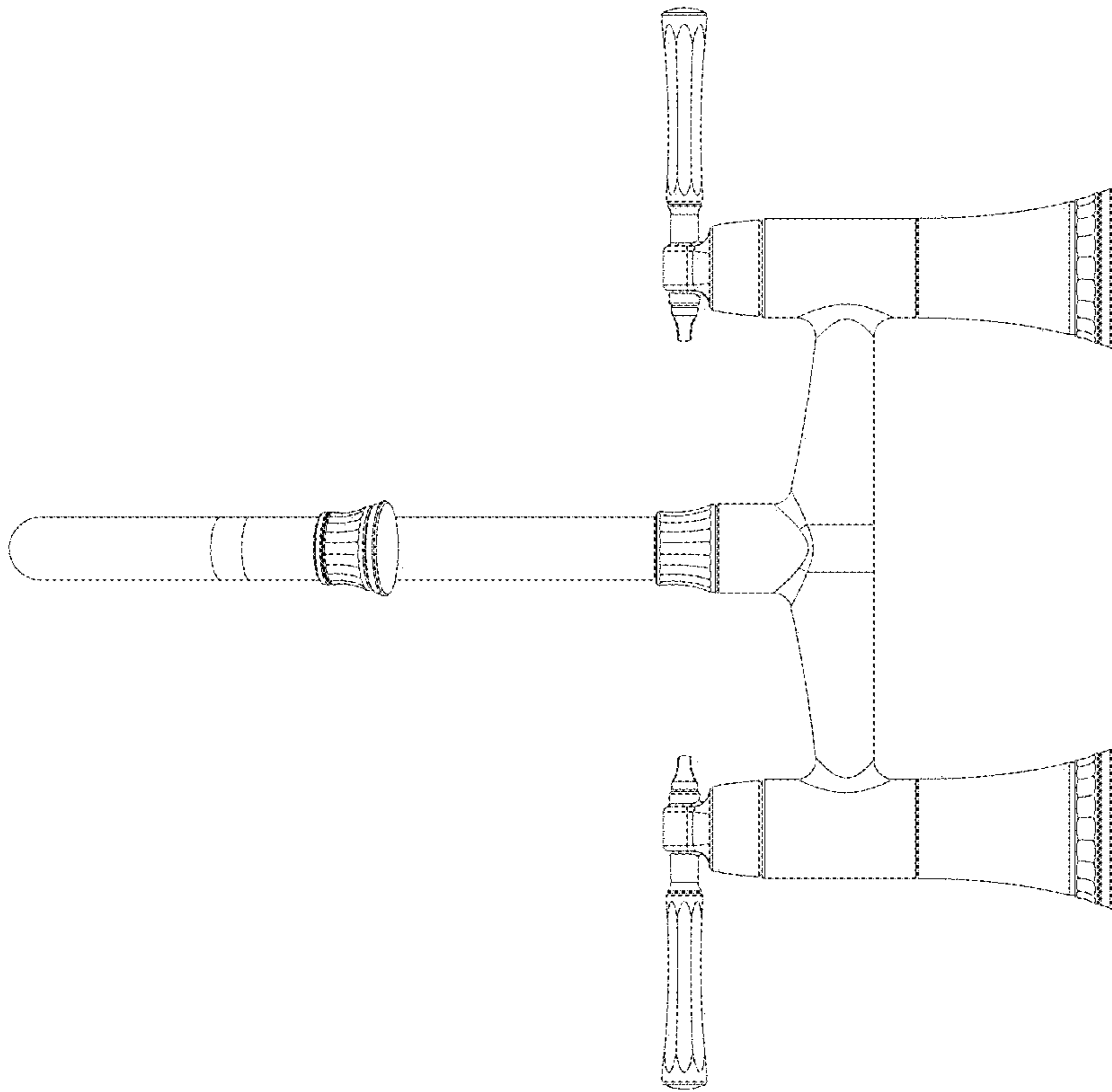


FIG-3

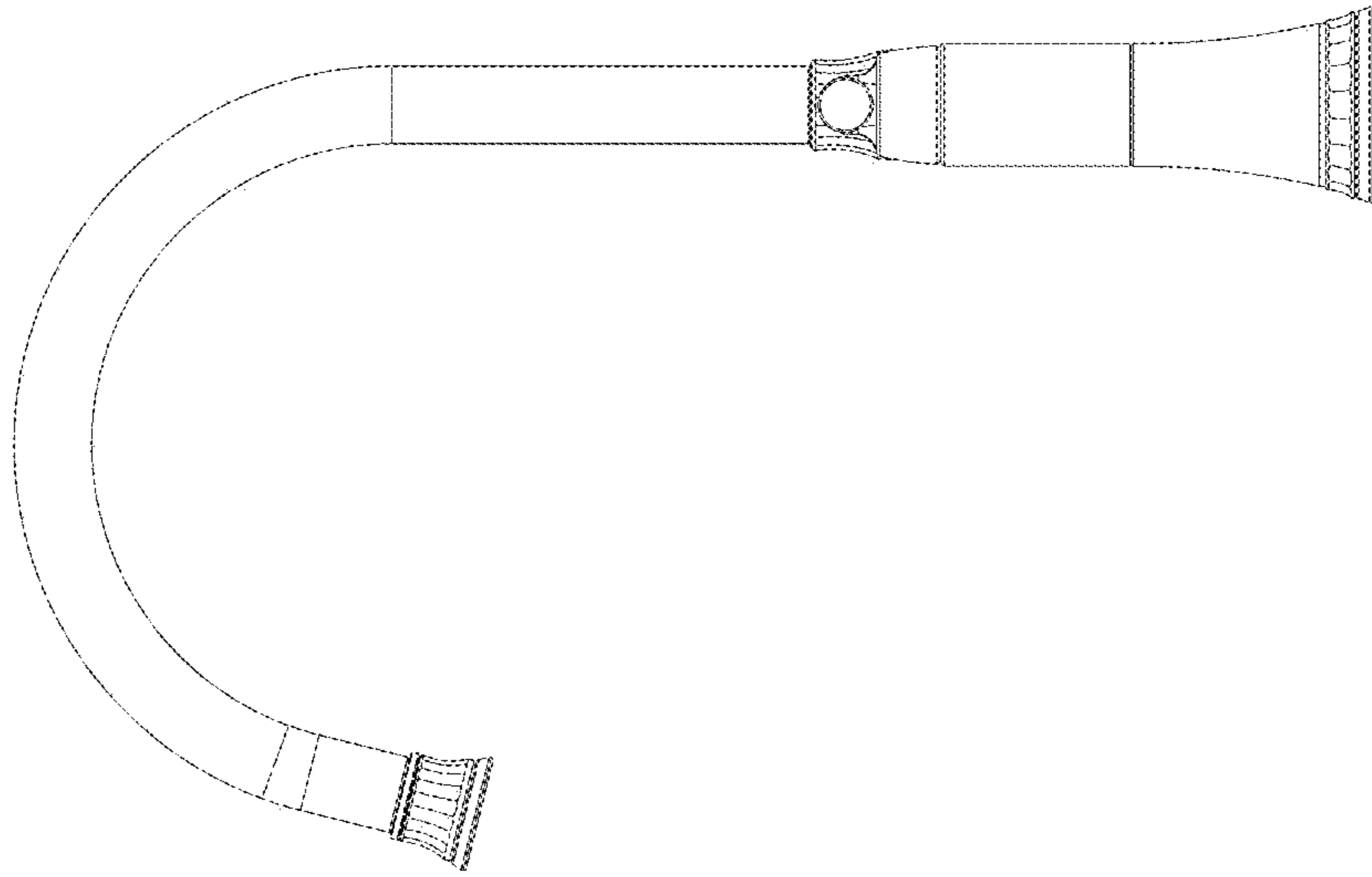


FIG-6

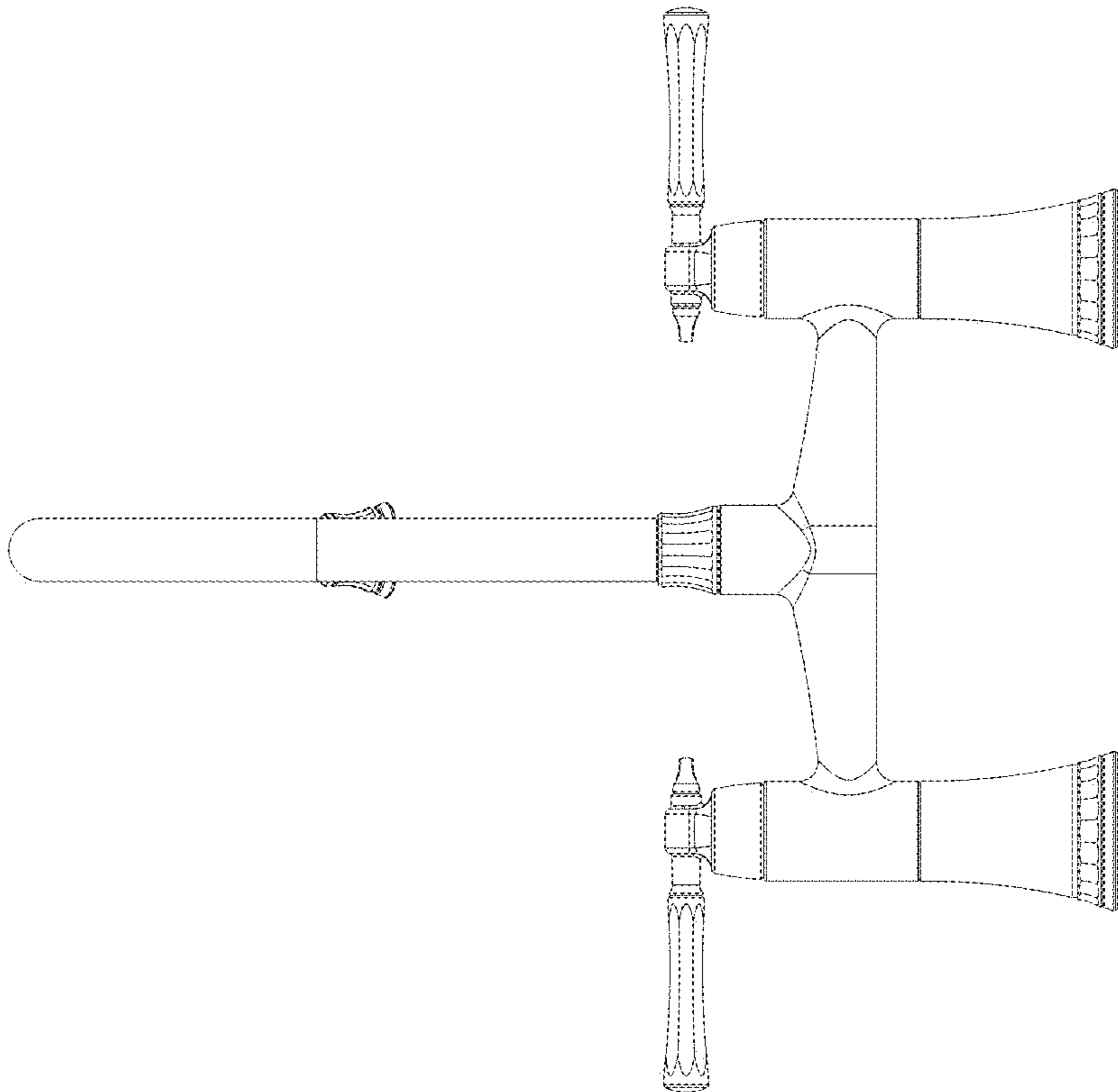


FIG-5

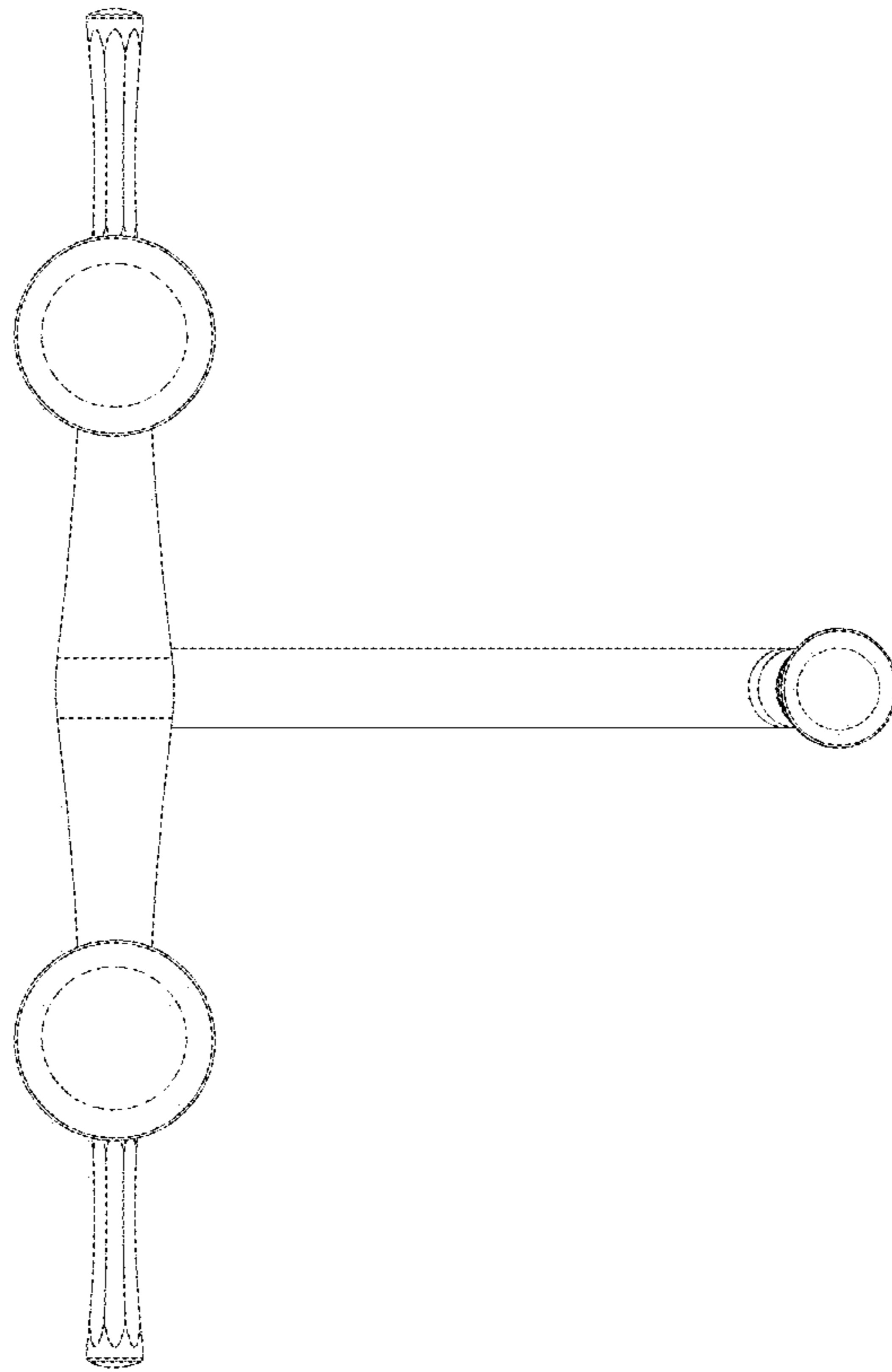


FIG-8

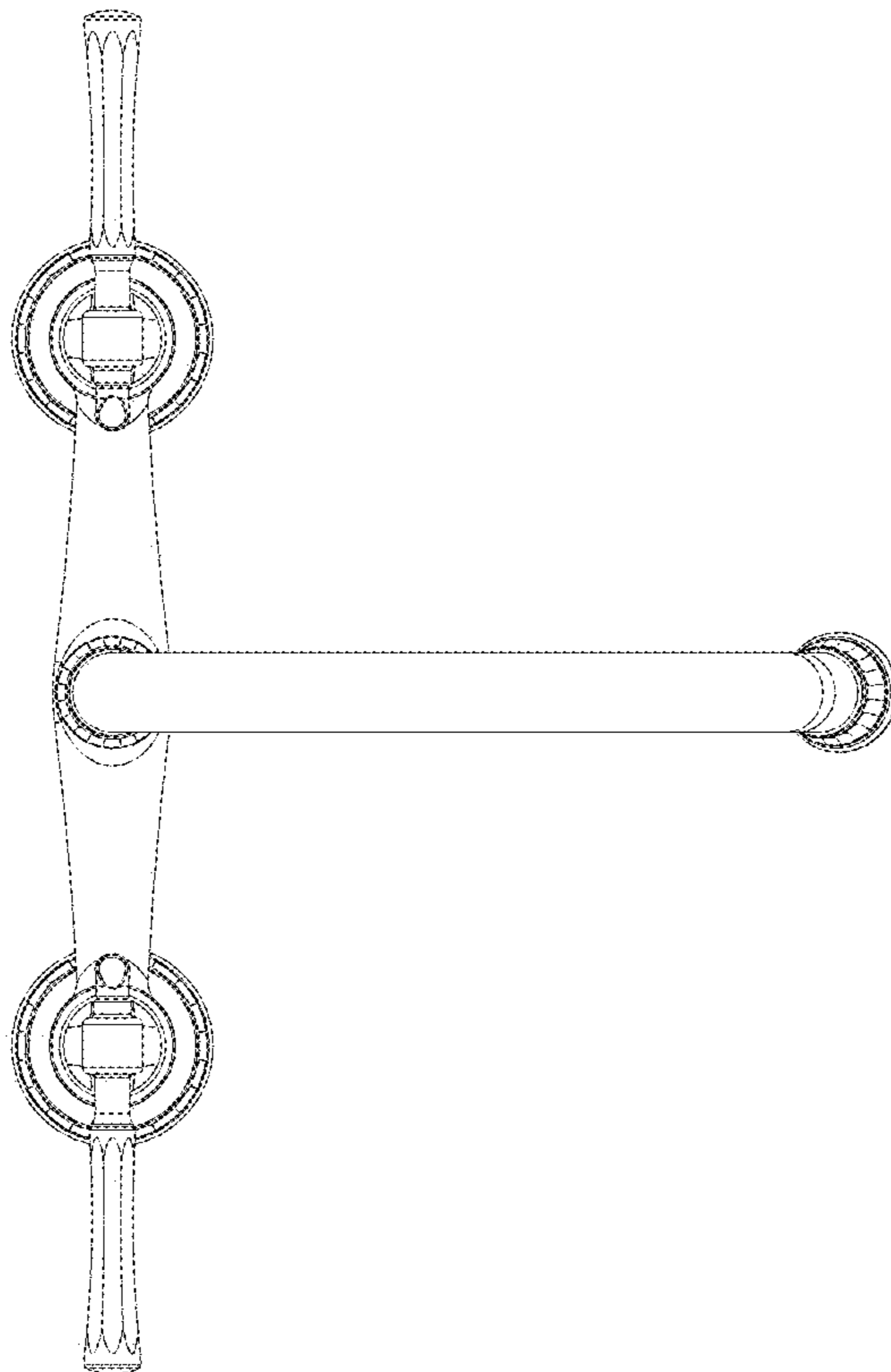


FIG-7