



US00D939054S

(12) **United States Design Patent** (10) **Patent No.:** **US D939,054 S**
Soulier et al. (45) **Date of Patent:** **** Dec. 21, 2021**

- (54) **FAUCET**
- (71) Applicant: **Kohler Co.**, Kohler, WI (US)
- (72) Inventors: **Jean-Hugues Soulier**, Paris (FR);
Ferran Serra Sola, Paris (FR)
- (73) Assignee: **KOHLER CO.**, Kohler, WI (US)
- (**) Term: **15 Years**
- (21) Appl. No.: **29/767,100**
- (22) Filed: **Jan. 20, 2021**

Related U.S. Application Data

- (62) Division of application No. 29/638,371, filed on Feb. 27, 2018, now Pat. No. Des. 912,770.
- (51) **LOC (13) Cl.** **23-01**
- (52) **U.S. Cl.**
USPC **D23/238**
- (58) **Field of Classification Search**
USPC D23/238–243, 250, 252, 254–255, 257;
D8/307–308
CPC Y10T 137/9464; Y10T 137/6014; Y10T
137/6017
See application file for complete search history.

(56) **References Cited**

U.S. PATENT DOCUMENTS

D291,232 S	8/1987	Haug et al.
D291,238 S	8/1987	Haug et al.
D327,529 S	6/1992	Dannenberg
D340,968 S	11/1993	McKeone et al.
D350,390 S	9/1994	Bollenbacher
D352,095 S	11/1994	Bollenbacher
D376,413 S	12/1996	Kergoet
D428,965 S	8/2000	Slothower
D460,150 S	7/2002	Rexach
D513,060 S	12/2005	Ouyoung

D527,076 S	8/2006	Kolin et al.
D531,698 S	11/2006	Wood et al.
D532,866 S	11/2006	Kirar
D535,360 S	1/2007	Noth et al.
D555,771 S	11/2007	Noth et al.
D564,634 S	3/2008	Kirar
D589,594 S	3/2009	Lammel et al.
D685,878 S	7/2013	Fritz
D689,595 S	9/2013	Georgeson
D708,714 S	7/2014	Georgeson
D760,065 S	6/2016	Kuehn
D804,615 S	12/2017	Seum et al.
D811,529 S	2/2018	Schoenherr et al.
D811,532 S	2/2018	Schoenherr et al.
D813,986 S	3/2018	Schoenherr et al.
D813,987 S	3/2018	Schoenherr et al.
D813,988 S	3/2018	Schoenherr et al.
D813,988 S	3/2018	Schoenherr et al.
D813,990 S	3/2018	Schoenherr et al.
D823,988 S	7/2018	Soulier et al.

(Continued)

Primary Examiner — Robert A Delehanty

(74) *Attorney, Agent, or Firm* — Foley & Lardner LLP

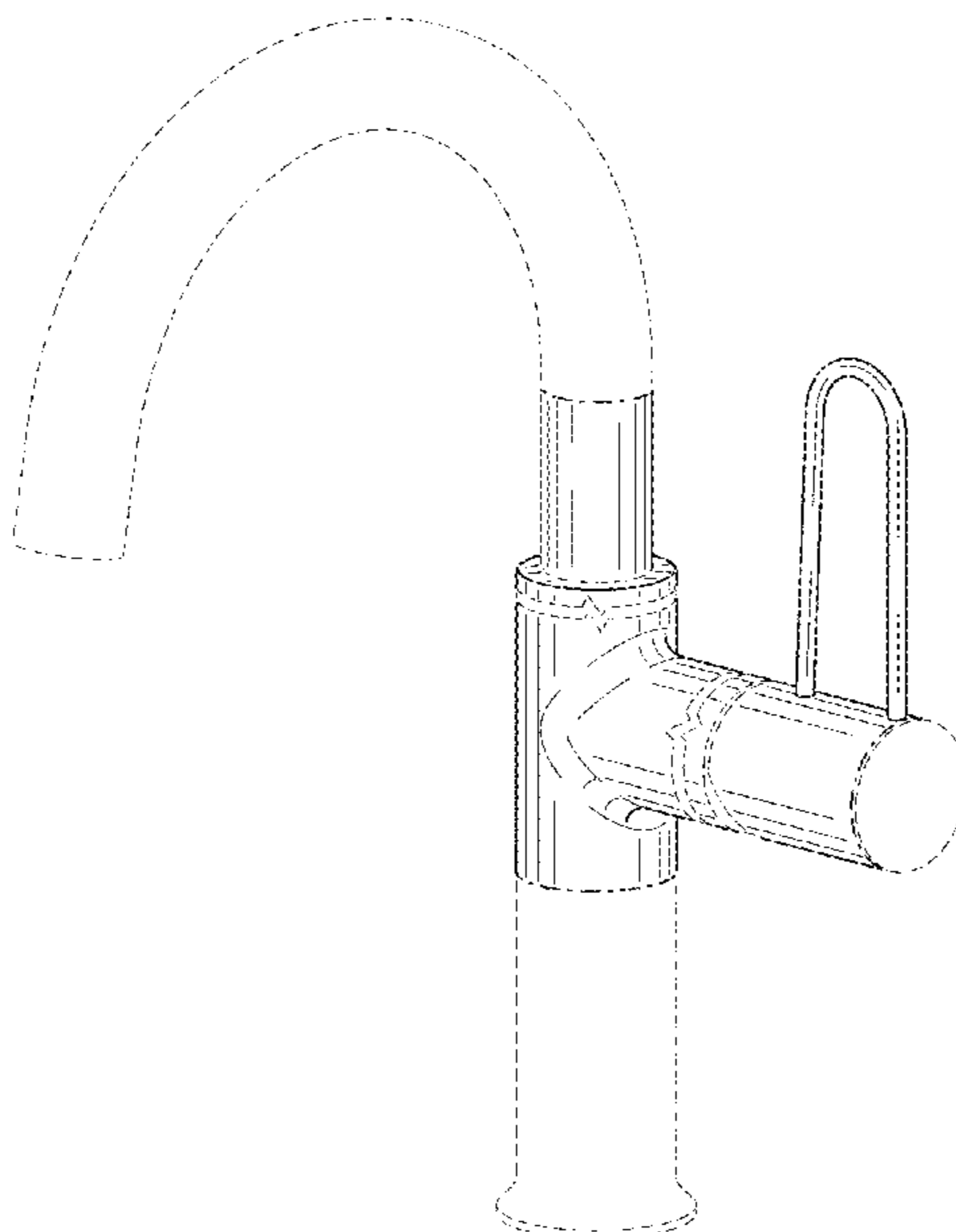
(57) **CLAIM**

We claim the ornamental design for a faucet, as shown and described.

DESCRIPTION

FIG. 1 is a perspective view of the claimed design; FIG. 2 is a front view of the embodiment of FIG. 1; FIG. 3 is a rear view of the embodiment of FIG. 1; FIG. 4 is a side view of the embodiment of FIG. 1; FIG. 5 is another side view of the embodiment of FIG. 1; FIG. 6 is a top view of the embodiment of FIG. 1; and, FIG. 7 is a bottom view of the embodiment of FIG. 1. The ornamental design which is claimed is shown in solid lines in the drawings. The broken lines in the drawings are for illustrative purposes only and form no part of the claimed design. Broken lines formed of unequal length dashes (i.e., dash-dot) define bounds of the claimed design.

1 Claim, 7 Drawing Sheets



(56)

References Cited

U.S. PATENT DOCUMENTS

D827,779 S	9/2018	Soulier
D828,908 S	9/2018	Merki

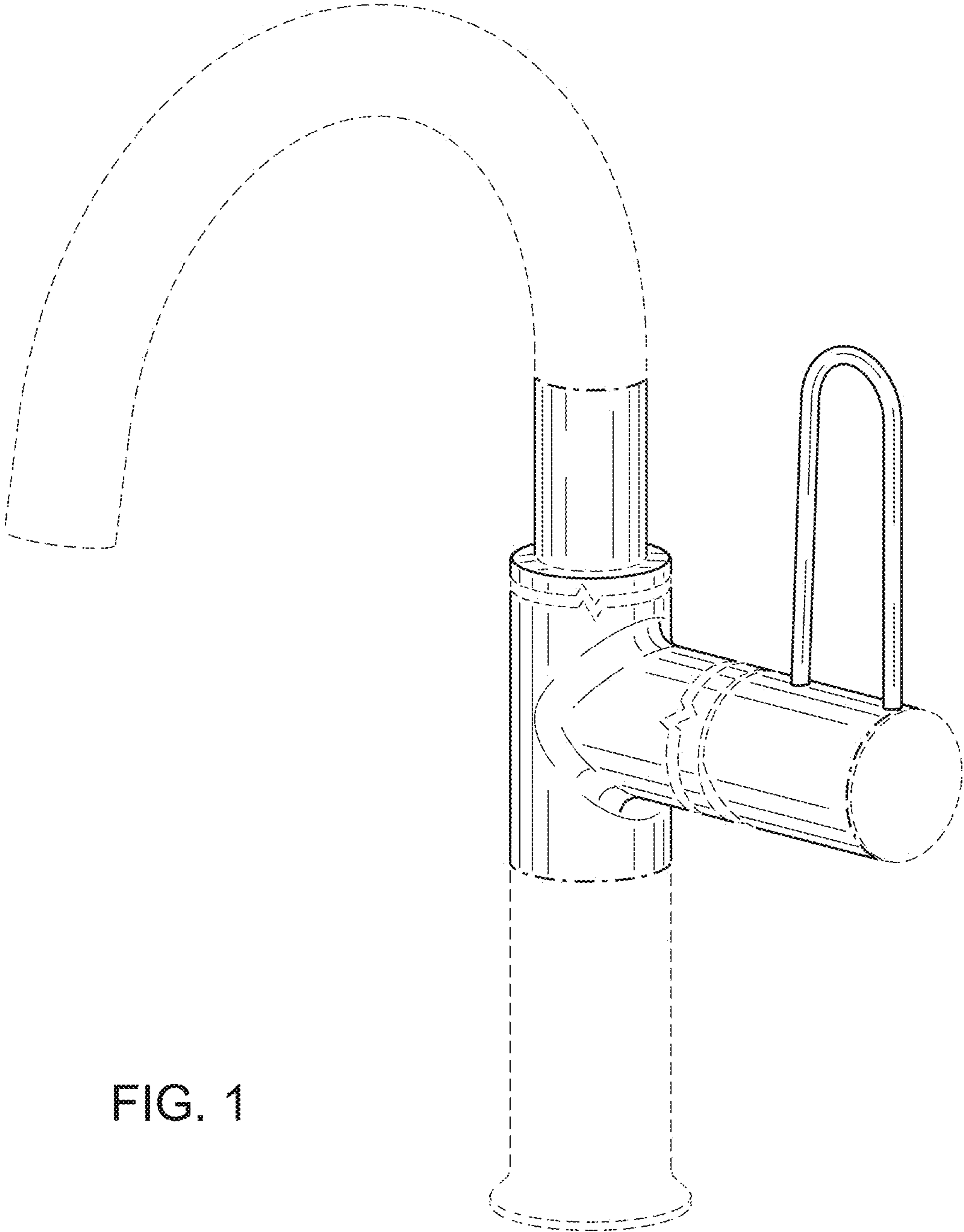


FIG. 1

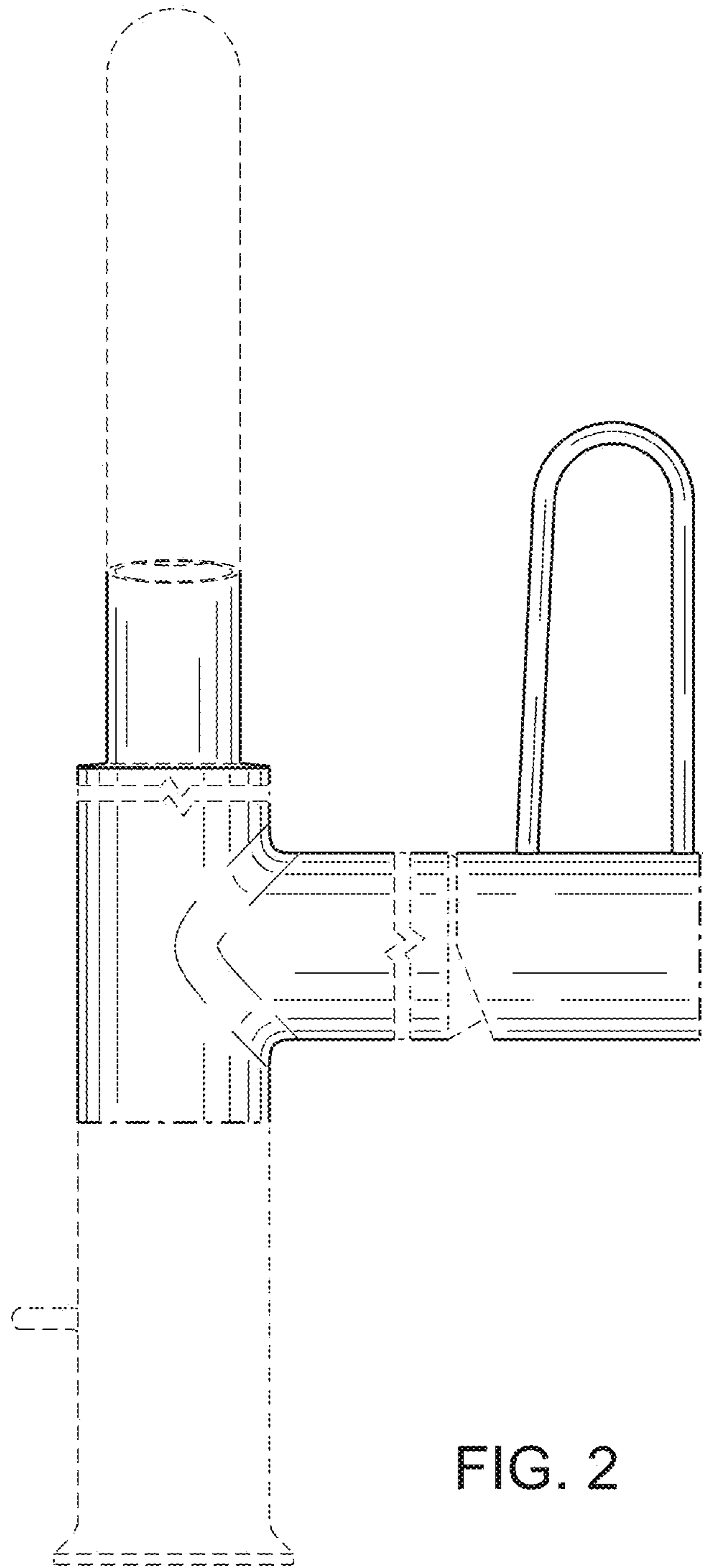
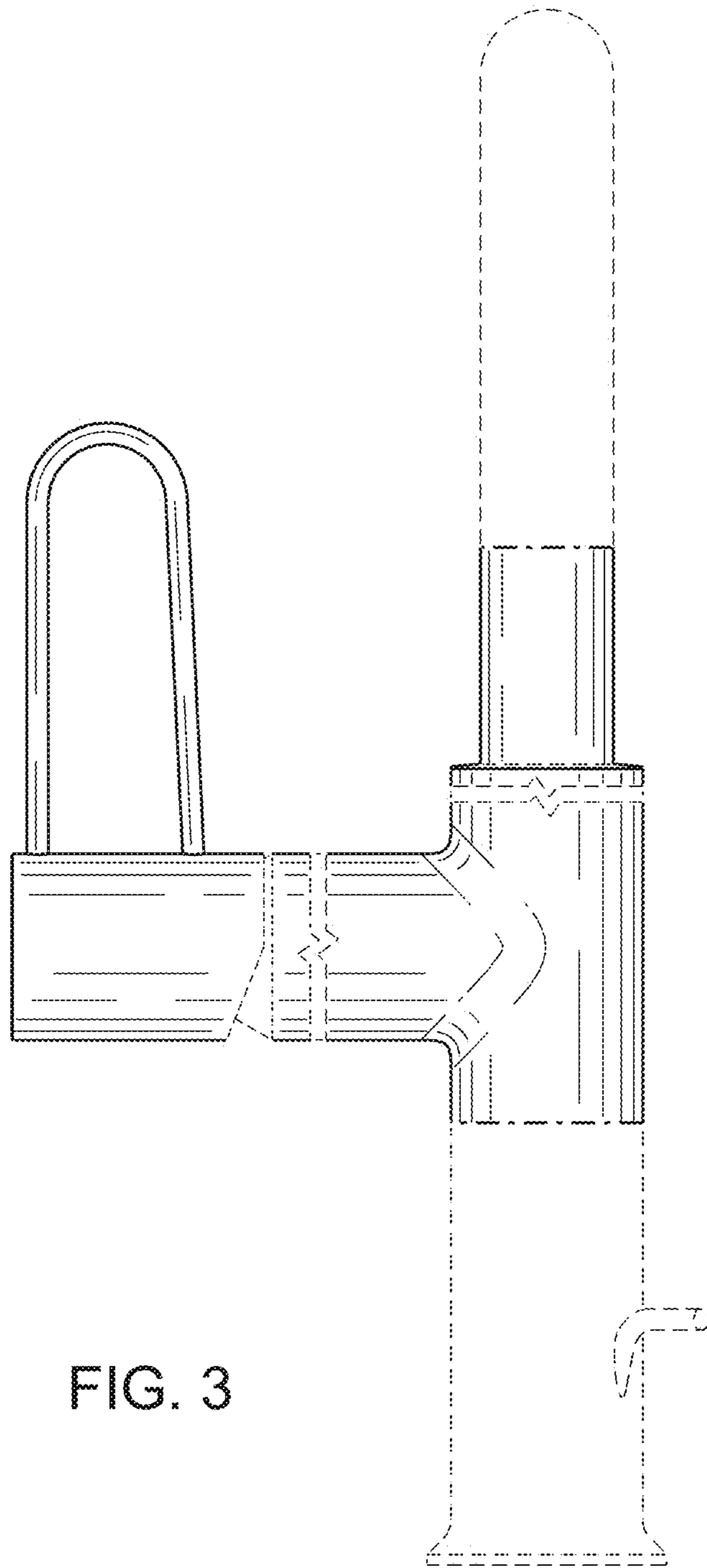


FIG. 2



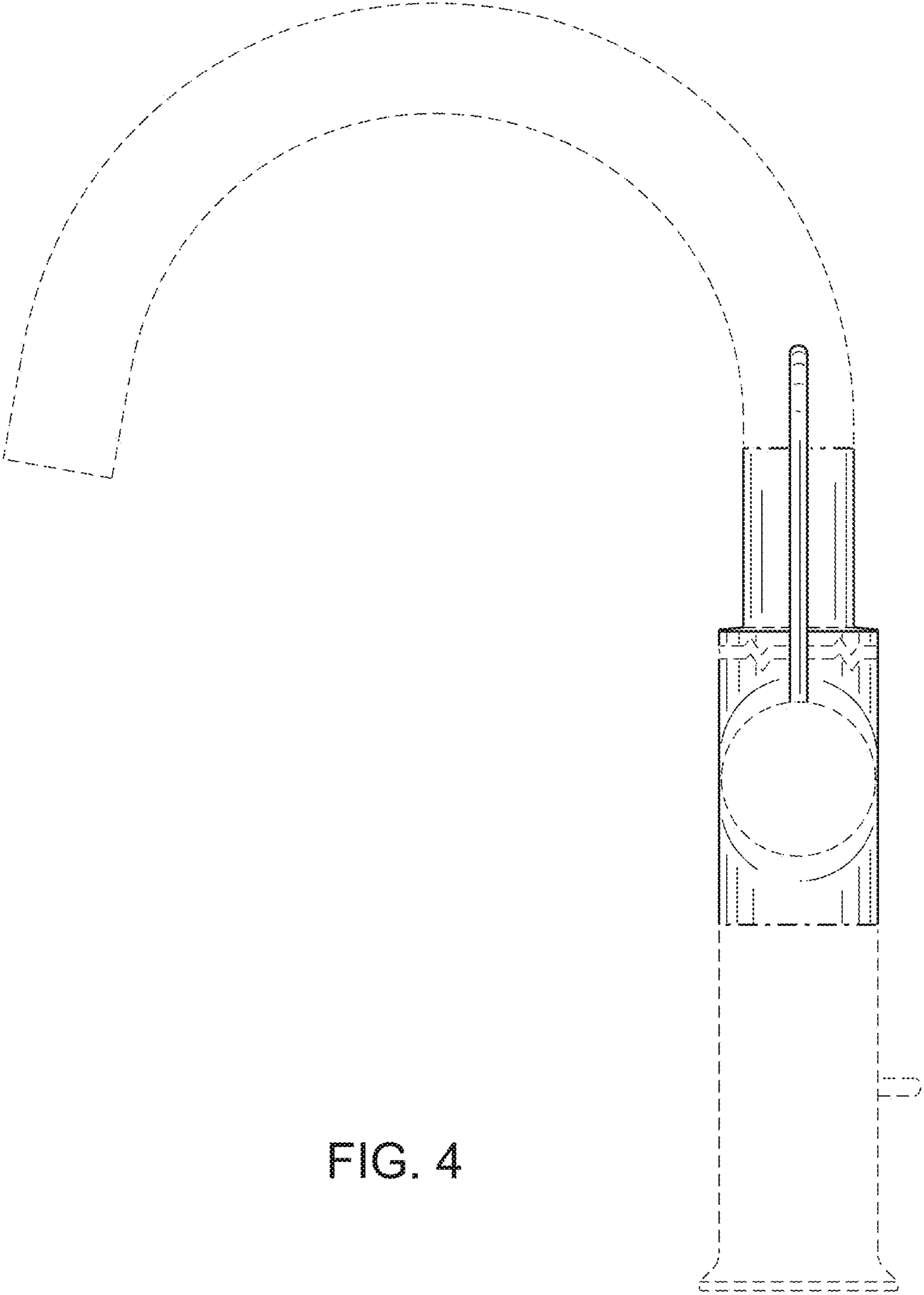


FIG. 4

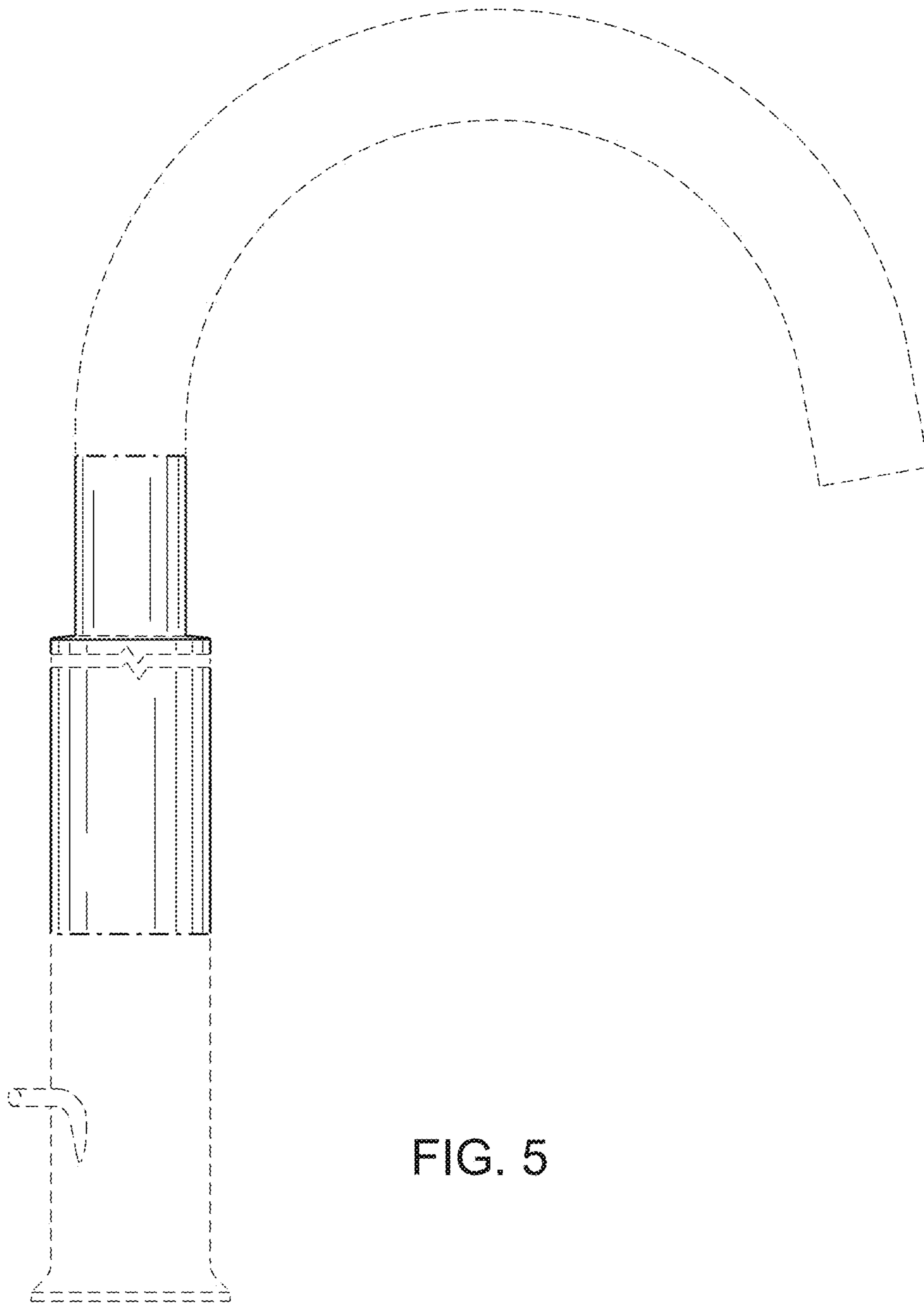


FIG. 5

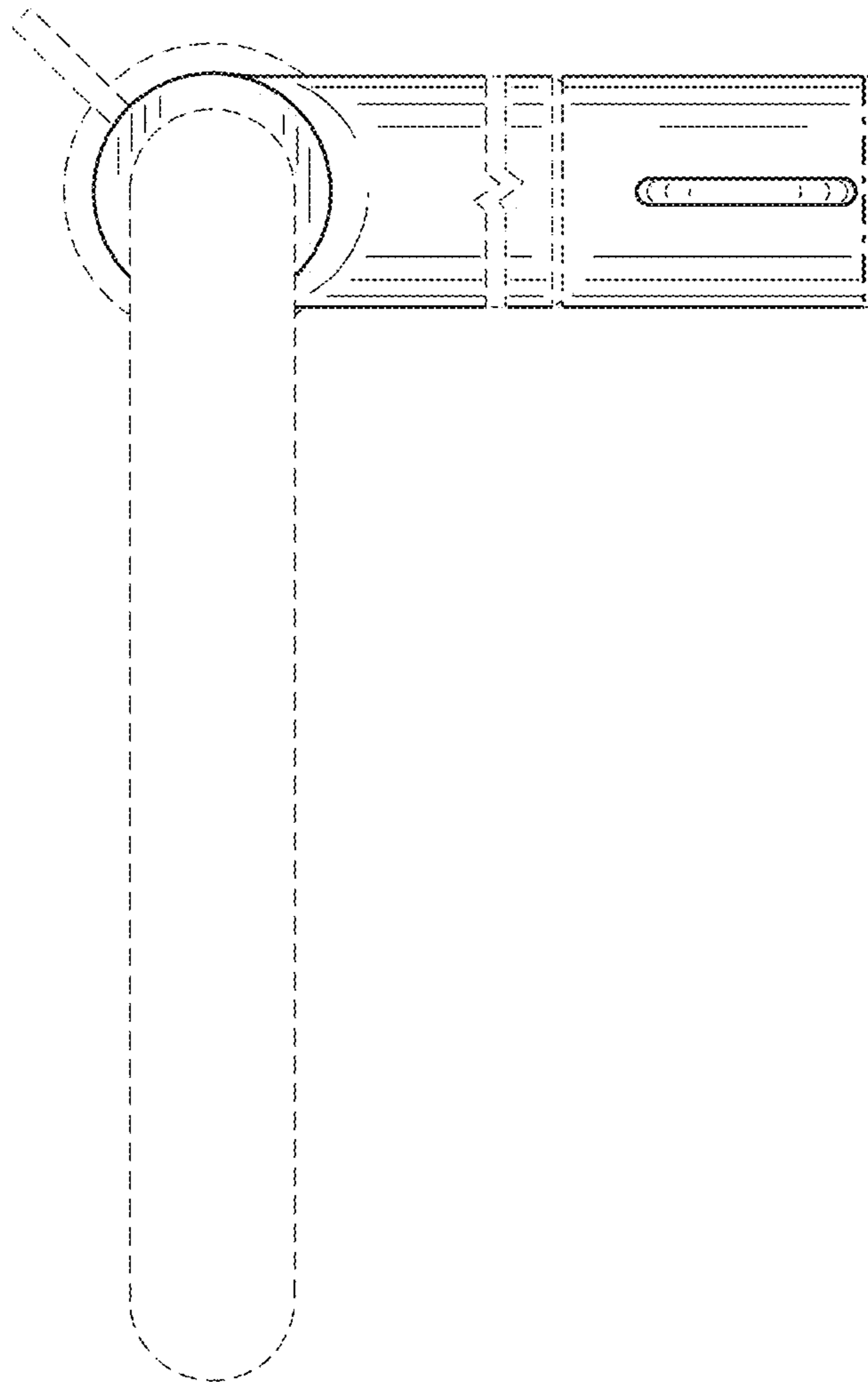


FIG. 6

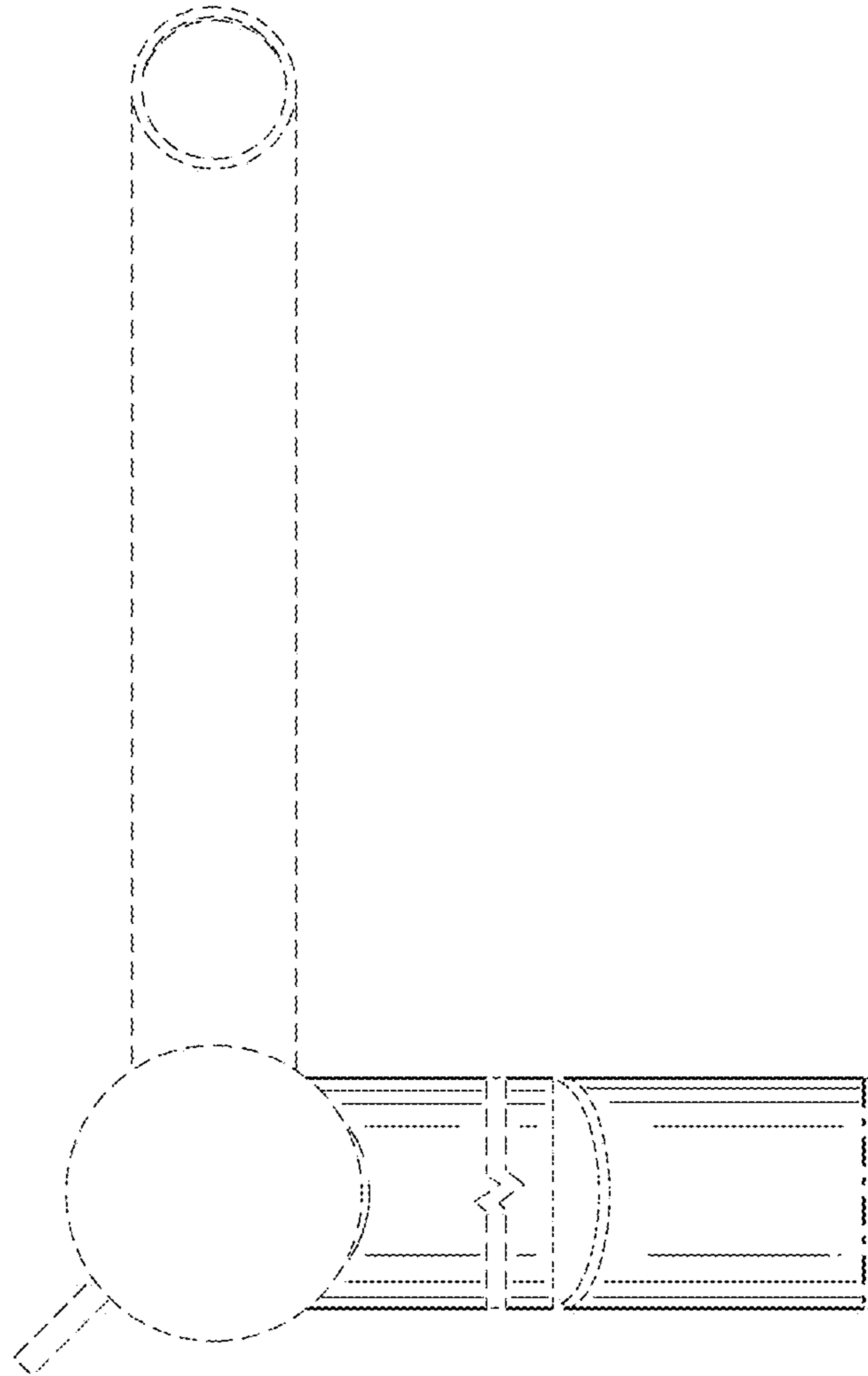


FIG. 7