



US00D939053S

(12) **United States Design Patent** (10) **Patent No.:** **US D939,053 S**
Soulier et al. (45) **Date of Patent:** **** Dec. 21, 2021**

- (54) **FAUCET**
- (71) Applicant: **Kohler Co.**, Kohler, WI (US)
- (72) Inventors: **Jean-Hugues Soulier**, Paris (FR);
Ferran Serra Sola, Paris (FR)
- (73) Assignee: **KOHLER CO.**, Kohler, WI (US)
- (**) Term: **15 Years**
- (21) Appl. No.: **29/767,094**
- (22) Filed: **Jan. 20, 2021**

- D535,360 S 1/2007 Noth et al.
- D555,771 S 11/2007 Noth et al.
- D579,520 S 10/2008 Chenesseau
- D623,275 S 9/2010 Rubin et al.
- D636,062 S 4/2011 Rubin et al.
- D654,389 S 2/2012 Gordon
- D677,365 S 3/2013 Schoenherr et al.
- D760,065 S 6/2016 Kuehn
- D802,100 S 11/2017 Kirar et al.

(Continued)

Primary Examiner — Robert A Delehanty
(74) *Attorney, Agent, or Firm* — Foley & Lardner LLP

Related U.S. Application Data

- (62) Division of application No. 29/638,370, filed on Feb. 27, 2018, now Pat. No. Des. 912,208.
- (51) **LOC (13) Cl.** **23-01**
- (52) **U.S. Cl.**
USPC **D23/238**
- (58) **Field of Classification Search**
USPC D23/238–243, 250, 252, 254–255, 257;
D8/307–308
CPC Y10T 137/9464; Y10T 137/6014; Y10T
137/6017
See application file for complete search history.

References Cited

U.S. PATENT DOCUMENTS

- D235,125 S 5/1975 Schlachter
- D253,607 S 12/1979 Haug
- D260,234 S 8/1981 Johnson, Jr.
- D266,452 S 10/1982 Fleischmann et al.
- D291,232 S 8/1987 Haug et al.
- D291,238 S 8/1987 Haug et al.
- D291,239 S 8/1987 Haug et al.
- D304,225 S 10/1989 Lathrop
- D354,798 S 1/1995 Mark
- D513,060 S 12/2005 Ouyoung
- D531,267 S 10/2006 Hundley

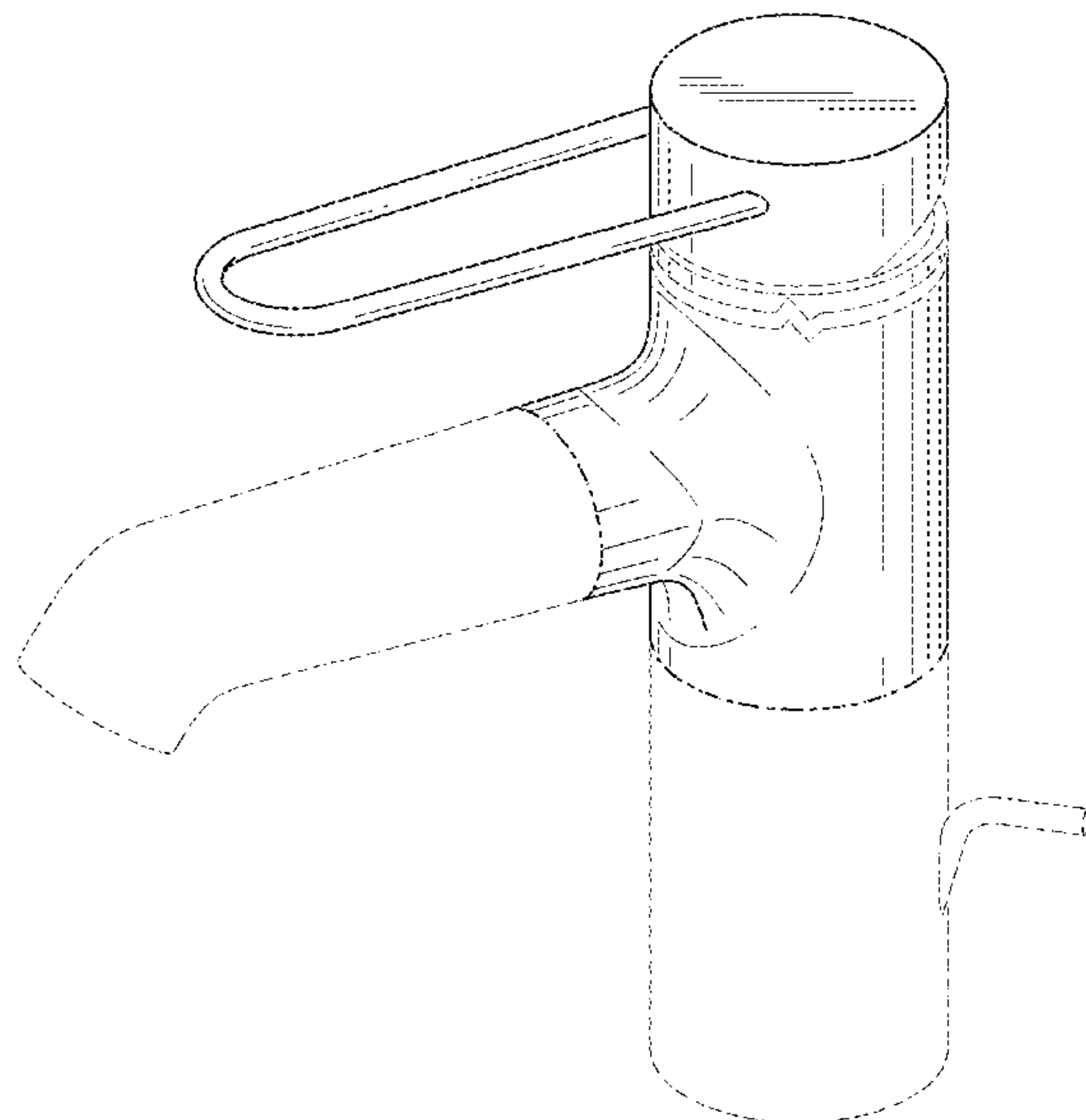
(57) **CLAIM**

We claim the ornamental design for a faucet, as shown and described.

DESCRIPTION

FIG. 1 is a perspective view of an embodiment of the claimed design;
 FIG. 2 is a front view of the embodiment of FIG. 1;
 FIG. 3 is a rear view of the embodiment of FIG. 1;
 FIG. 4 is a side view of the embodiment of FIG. 1;
 FIG. 5 is another side view of the embodiment of FIG. 1;
 FIG. 6 is a top view of the embodiment of FIG. 1;
 FIG. 7 is a bottom view of the embodiment of FIG. 1;
 FIG. 8 is a perspective view of another embodiment of the claimed design;
 FIG. 9 is a front view of the embodiment of FIG. 8;
 FIG. 10 is a rear view of the embodiment of FIG. 8;
 FIG. 11 is a side view of the embodiment of FIG. 8;
 FIG. 12 is another side view of the embodiment of FIG. 8;
 FIG. 13 is a top view of the embodiment of FIG. 8; and,
 FIG. 14 is a bottom view of the embodiment of FIG. 8.
 The ornamental design which is claimed is shown in solid lines in the drawings. The broken lines in the drawings are for illustrative purposes only and form no part of the claimed design. Broken lines formed of unequal length dashes (i.e., dash-dot) define bounds of the claimed design.

1 Claim, 10 Drawing Sheets



(56)

References Cited

U.S. PATENT DOCUMENTS

D802,101 S	11/2017	Kirar et al.
D811,529 S	2/2018	Schoenherr et al.
D811,532 S	2/2018	Schoenherr et al.
D813,986 S	3/2018	Schoenherr et al.
D813,987 S	3/2018	Schoenherr et al.
D813,988 S	3/2018	Schoenherr et al.
D813,990 S	3/2018	Schoenherr et al.
D827,779 S	9/2018	Soulier
D828,908 S	9/2018	Merki
D867,545 S	11/2019	Chung

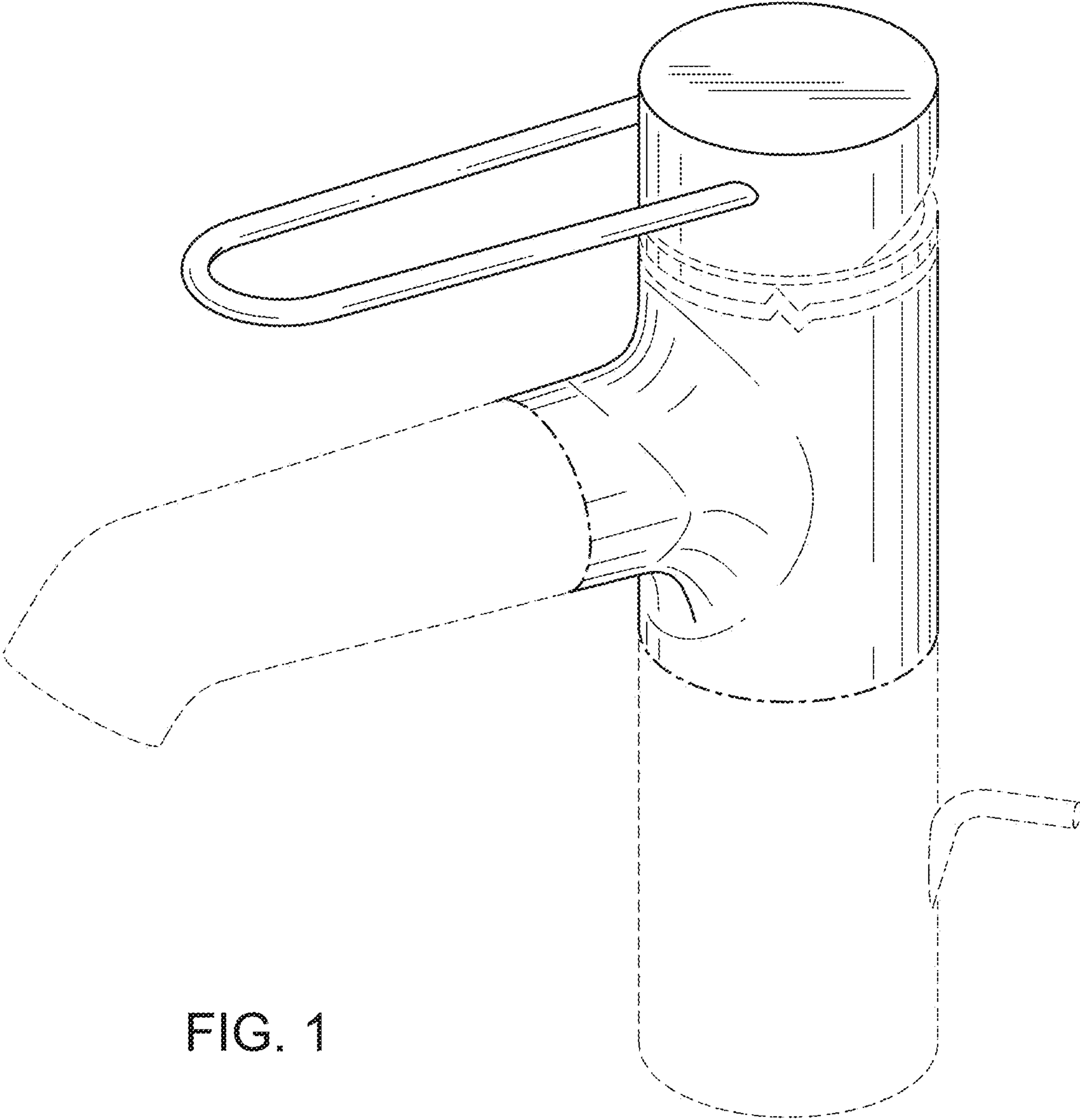


FIG. 1

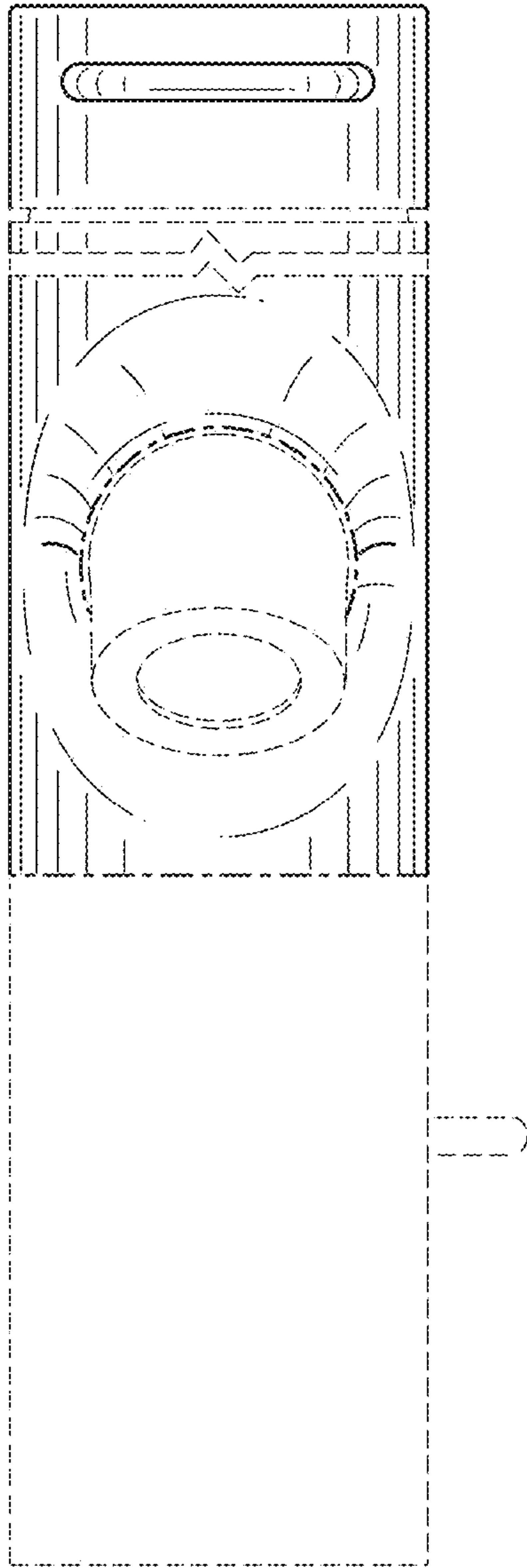


FIG. 2

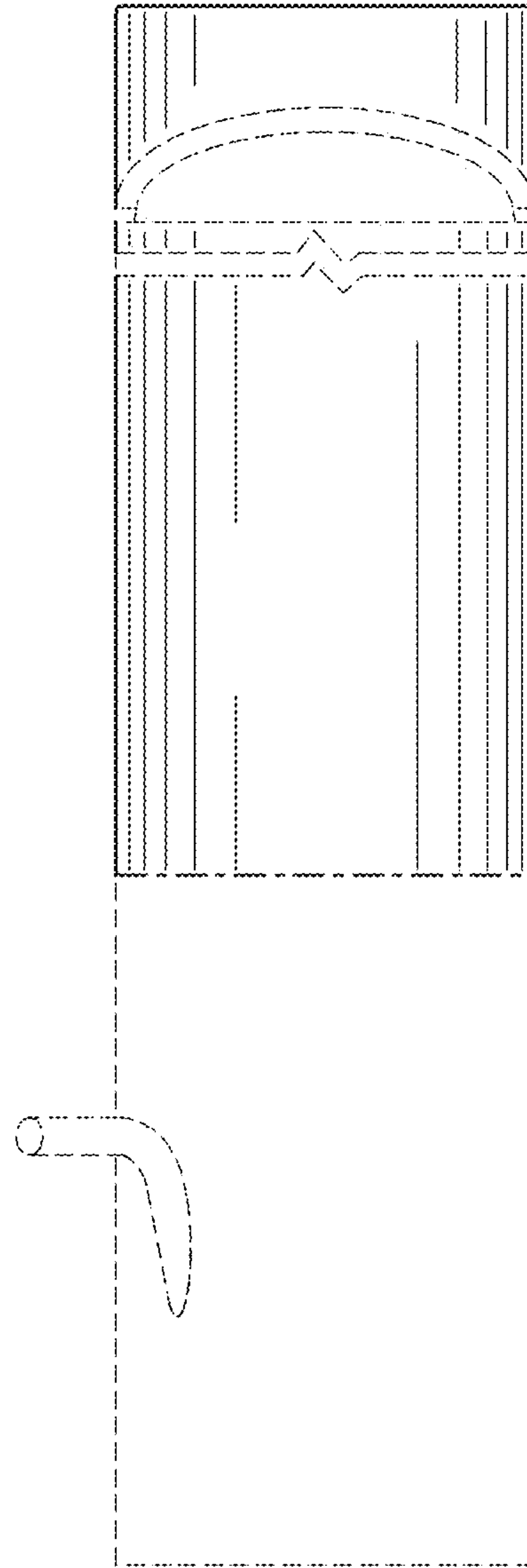


FIG. 3

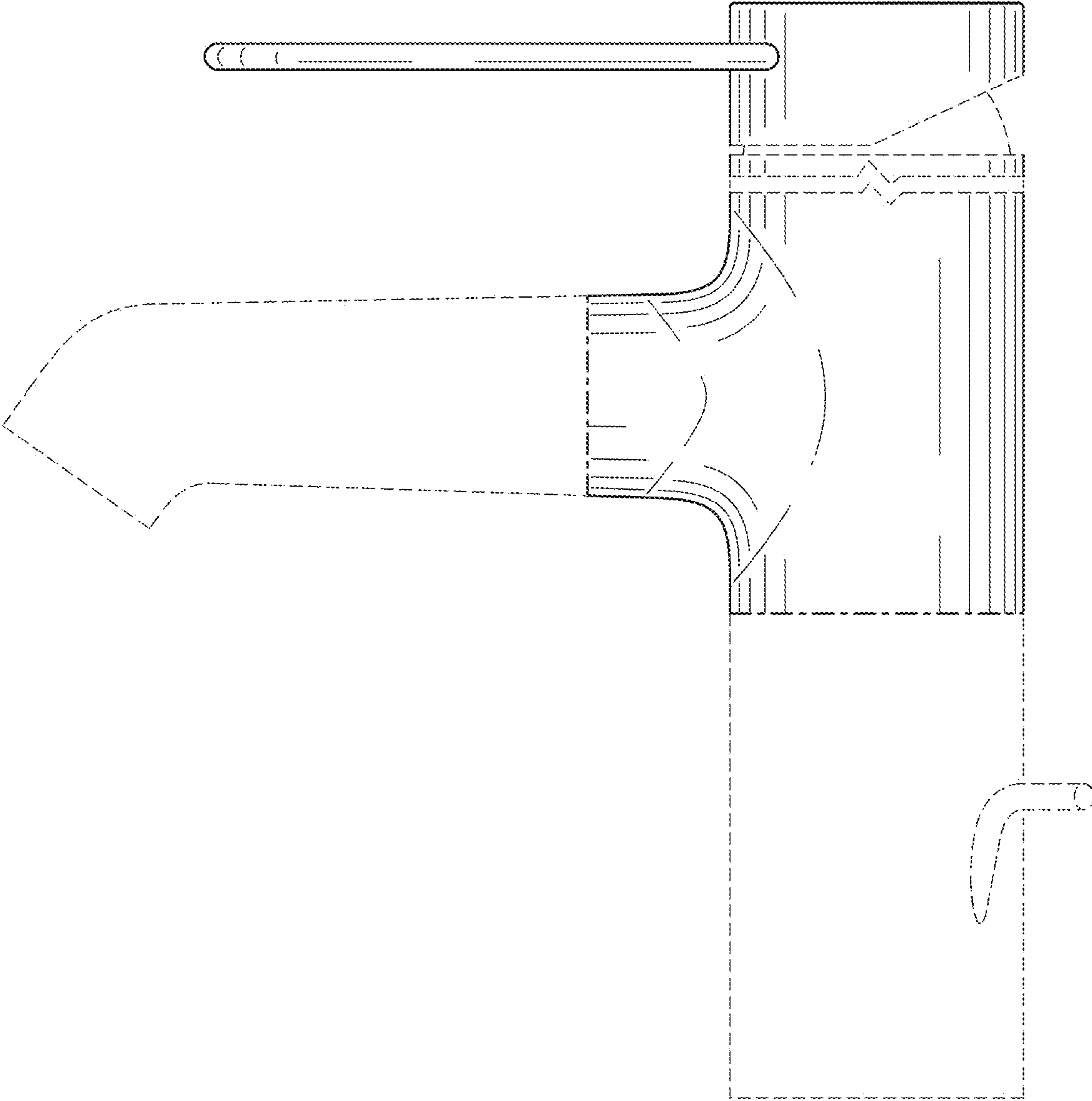
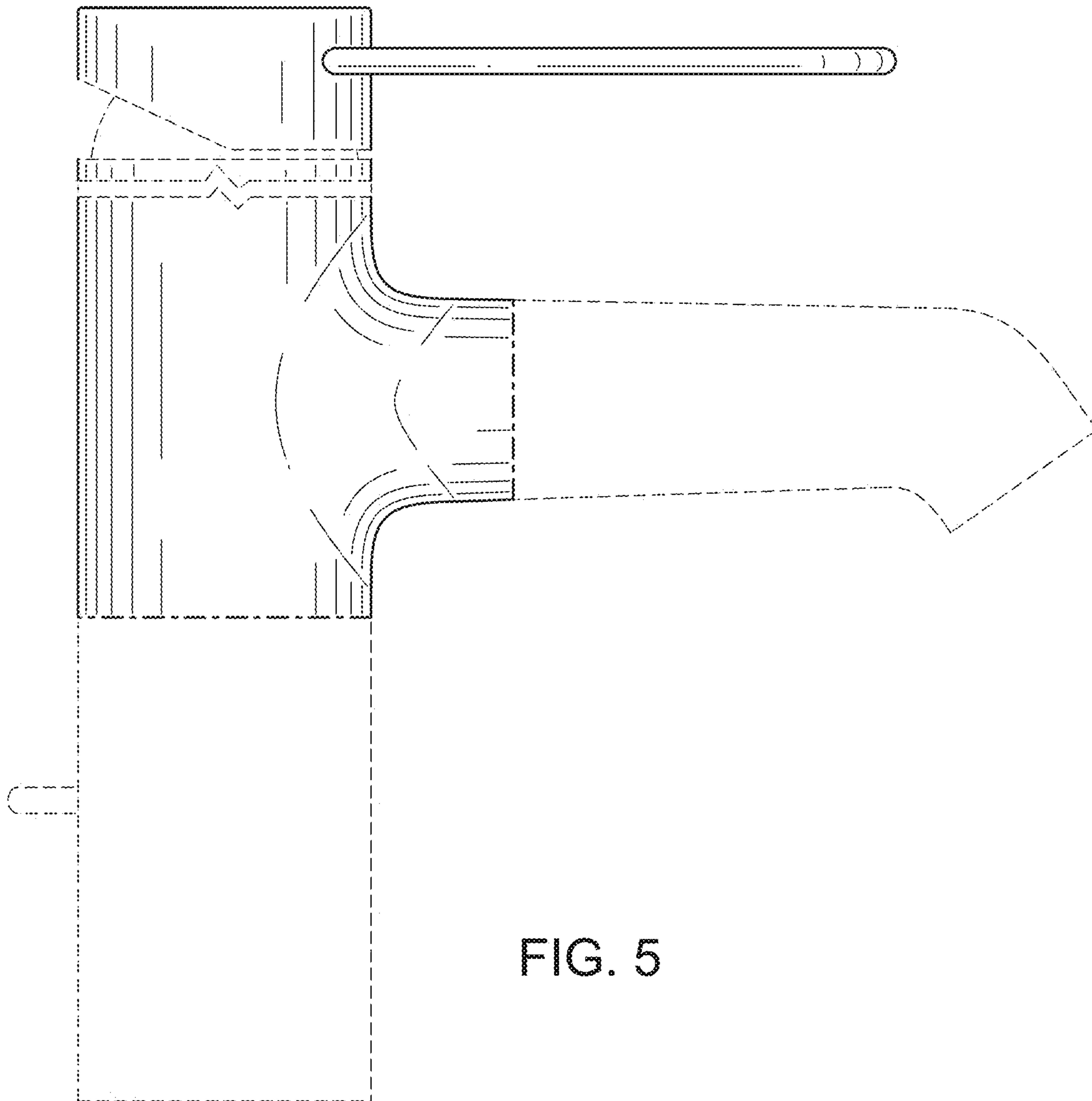


FIG. 4



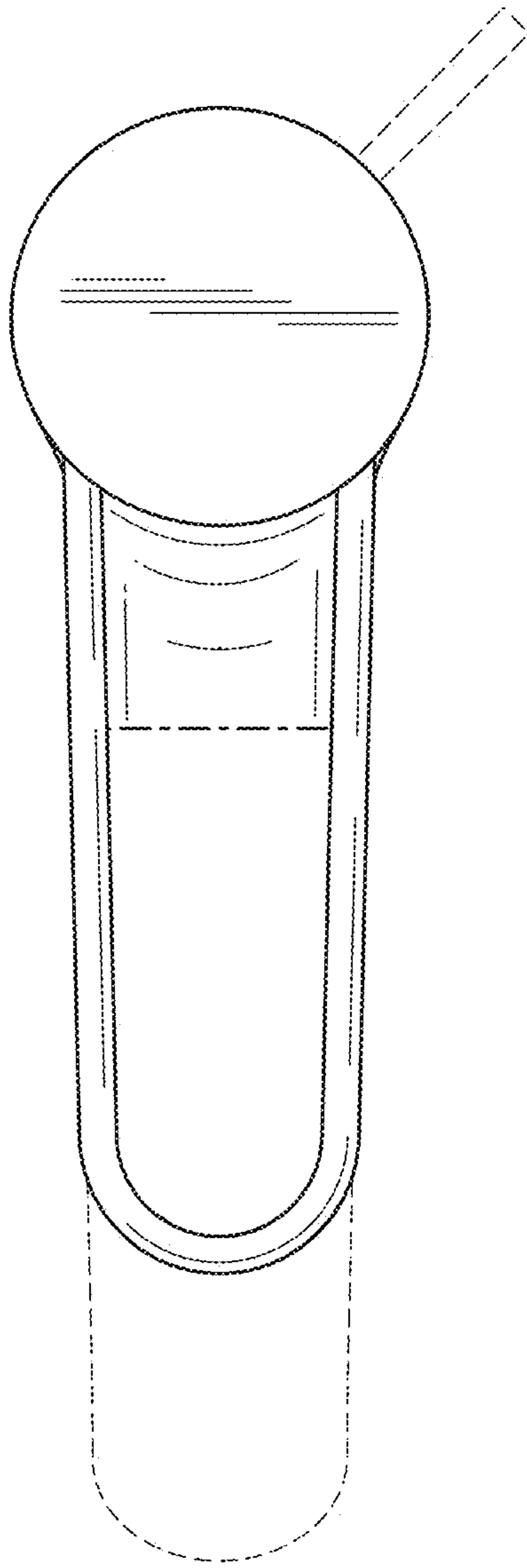


FIG. 6

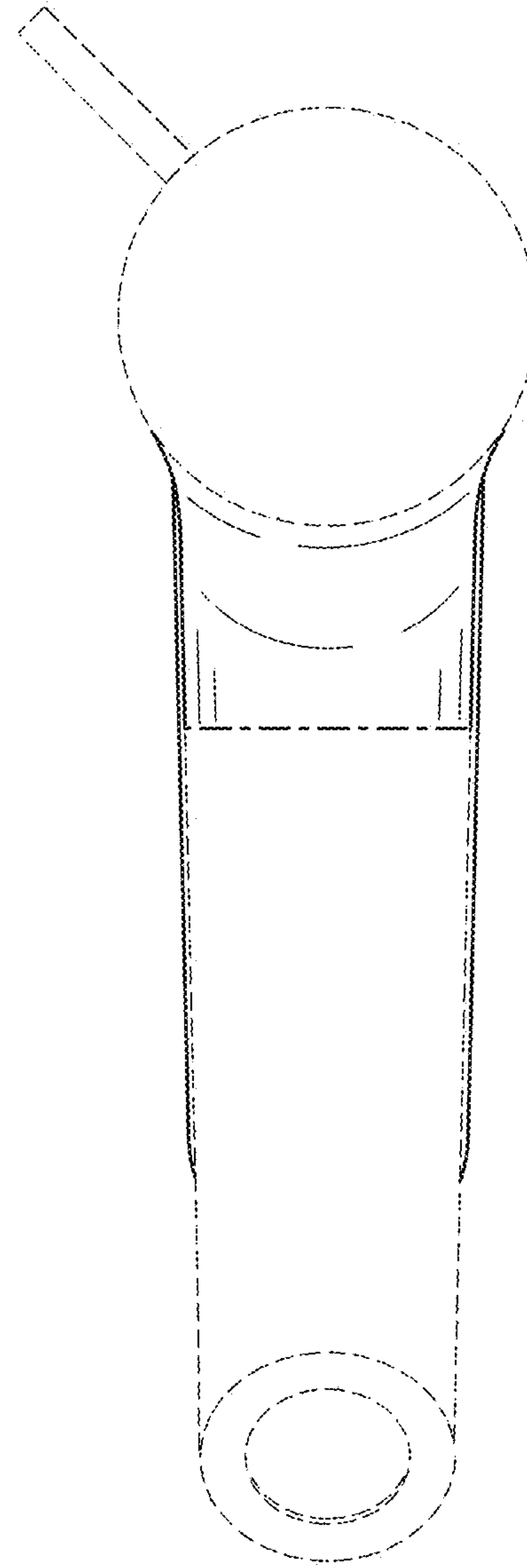


FIG. 7

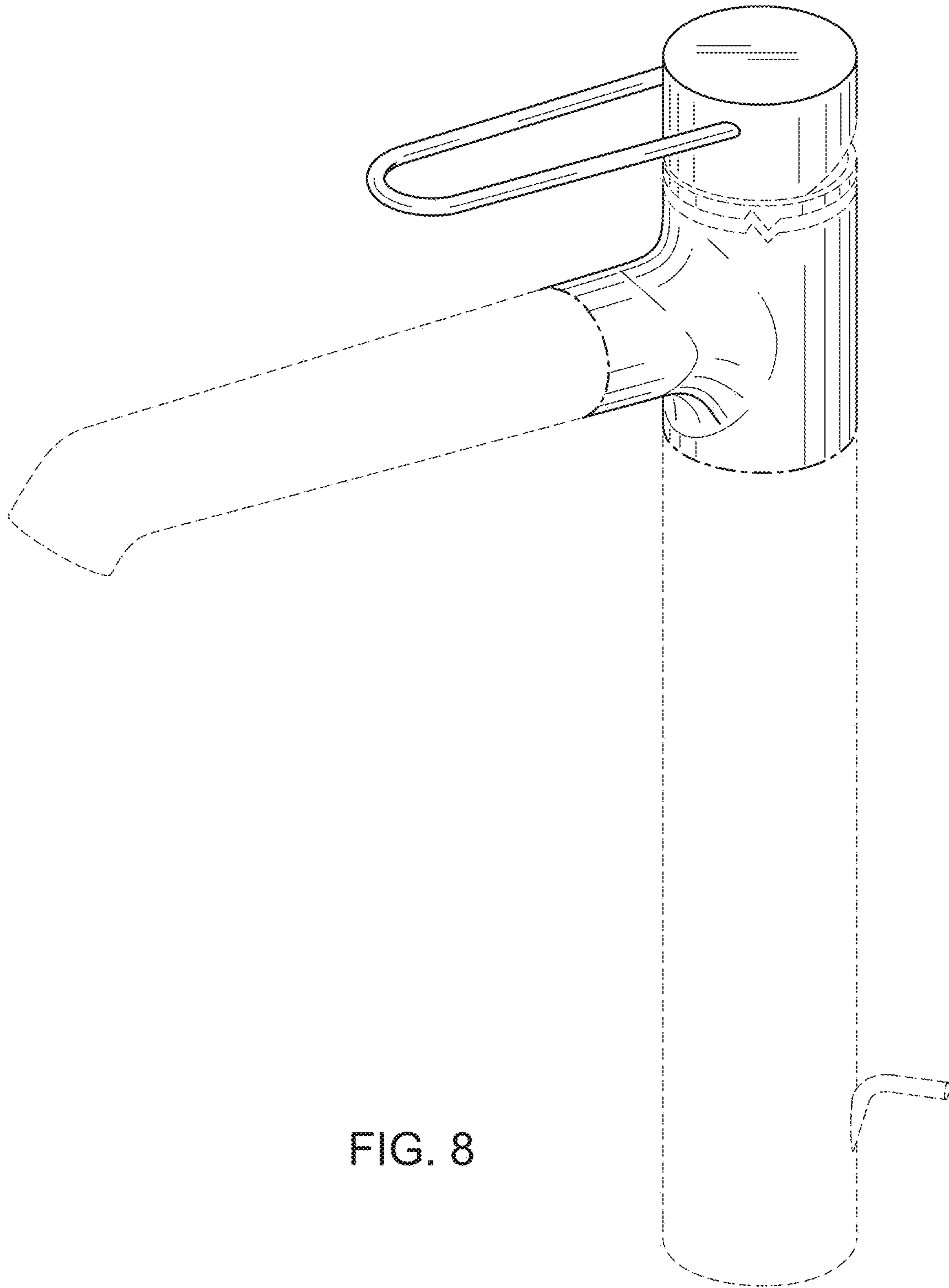


FIG. 8

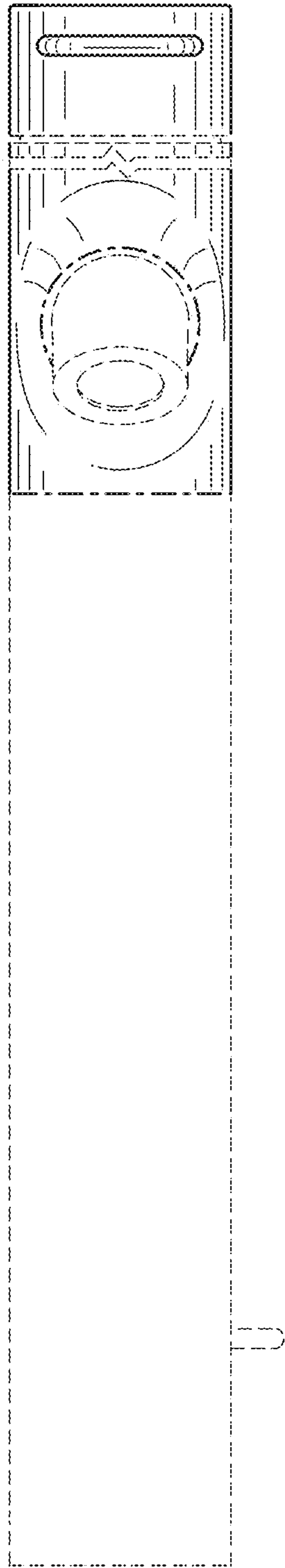


FIG. 9

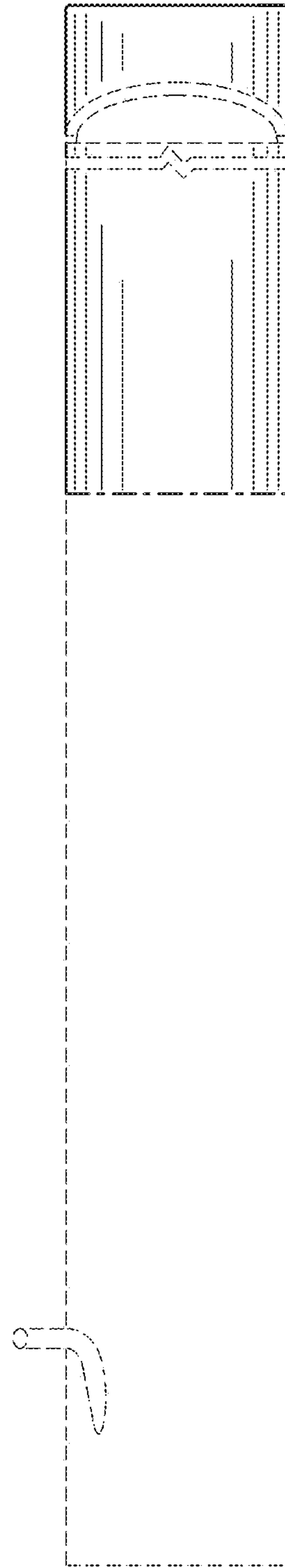


FIG. 10

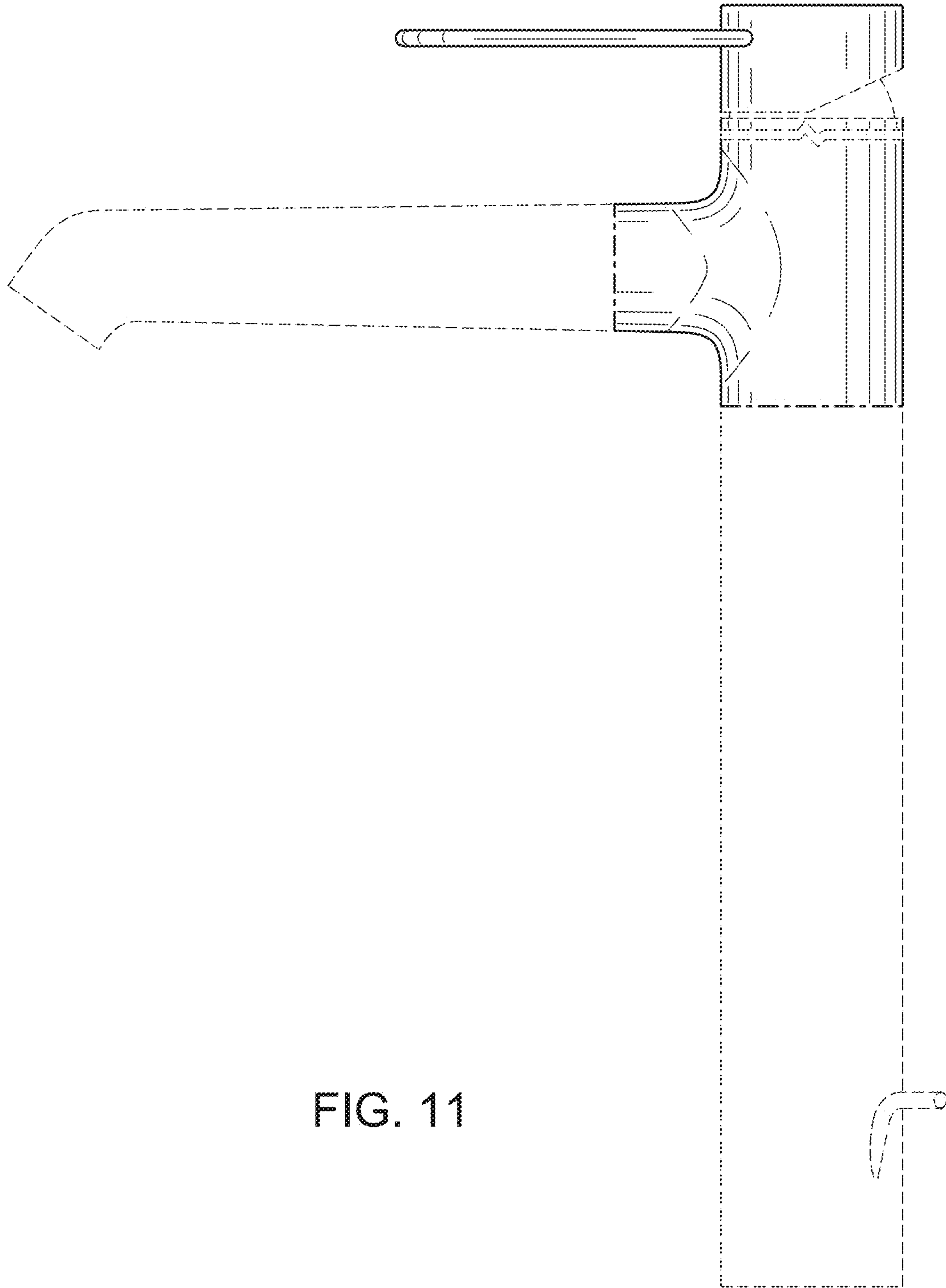


FIG. 11

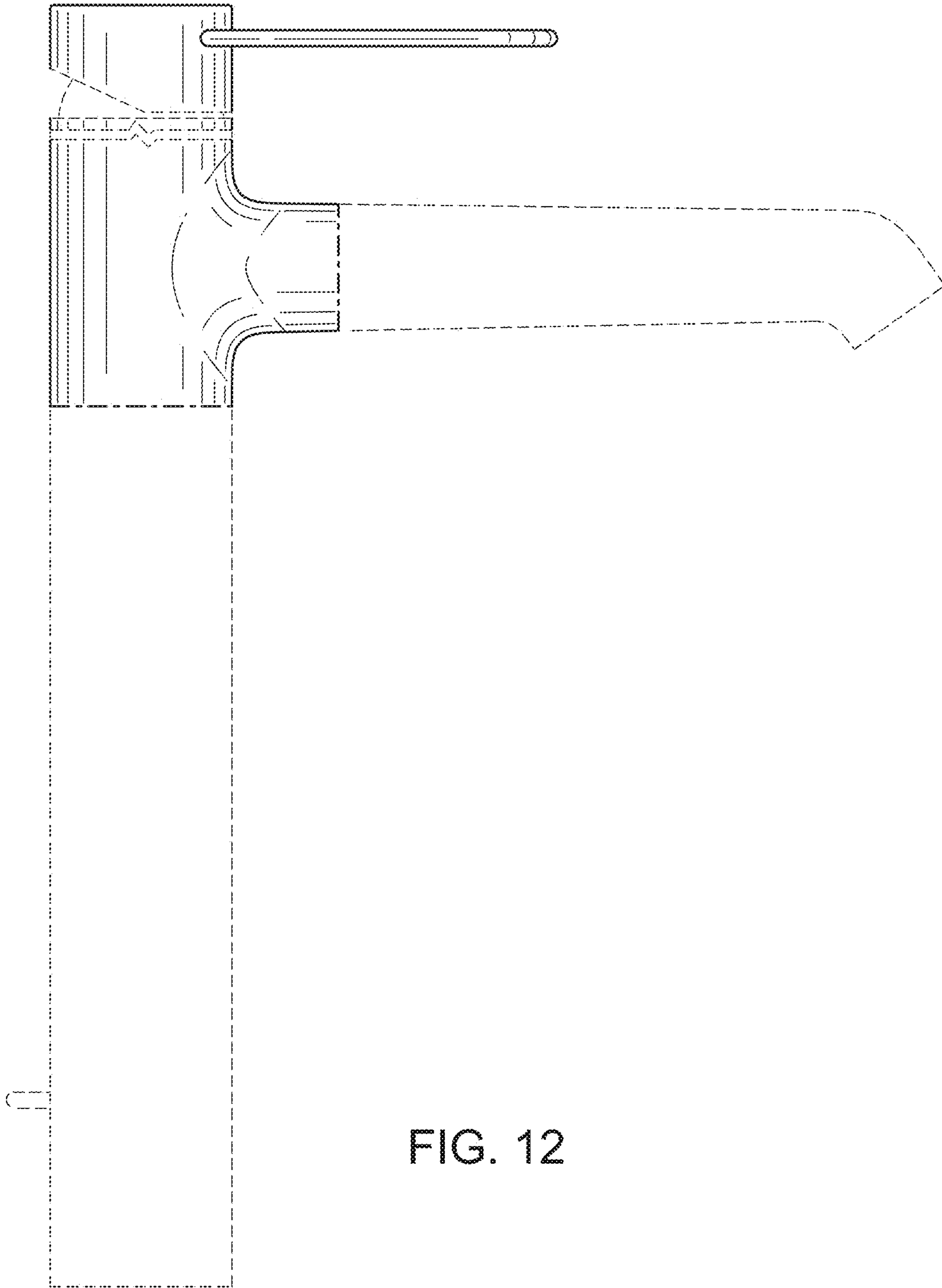


FIG. 12

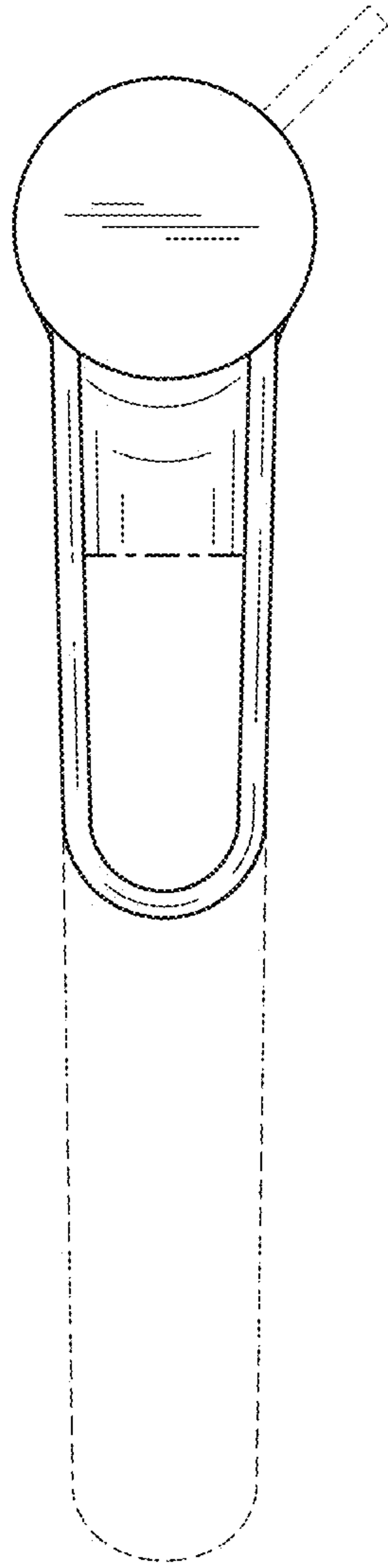


FIG. 13

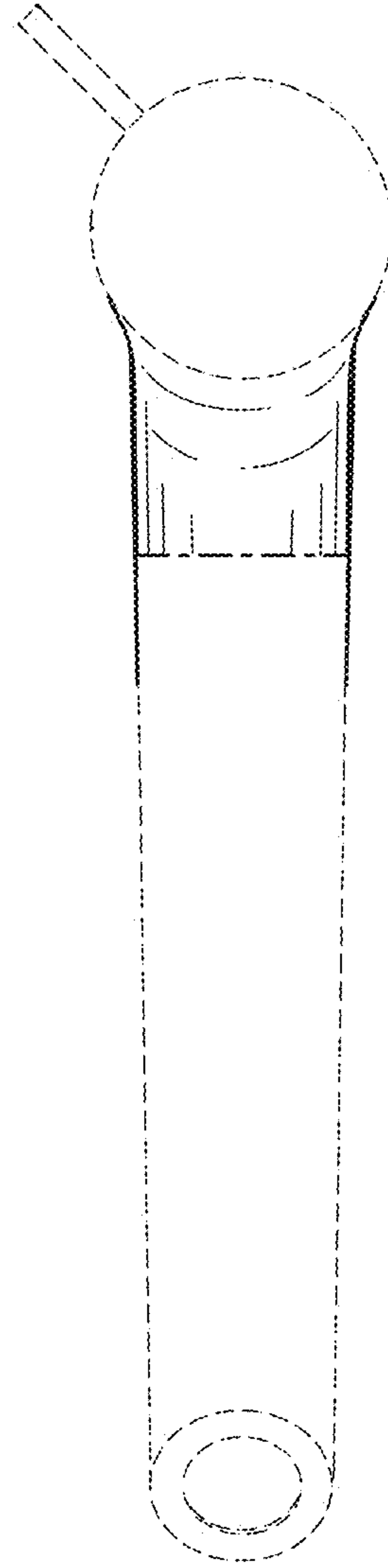


FIG. 14