



US00D939052S

(12) **United States Design Patent**  
**Fritz**

(10) **Patent No.:** **US D939,052 S**

(45) **Date of Patent:** **\*\* Dec. 21, 2021**

(54) **FAUCET BODY**  
(71) Applicant: **DELTA FAUCET COMPANY,**  
Indianapolis, IN (US)

D921,842 S \* 6/2021 Fritz ..... D23/238  
D922,530 S \* 6/2021 Lazarini ..... D23/238  
D922,531 S \* 6/2021 Stoler ..... D23/238  
D923,148 S \* 6/2021 Lazarini ..... D23/238

(72) Inventor: **Seth Fritz,** Carmel, IN (US)  
(73) Assignee: **DELTA FAUCET COMPANY,**  
Indianapolis, IN (US)

**OTHER PUBLICATIONS**

Kohler Bellera Pull Down Kitchen Faucet, first available May 21, 2011 [online], [site visited Jul. 27, 2021]. Available from internet, URL:<<https://www.amazon.com/dp/B0053XPRIE?tag=merchdope1-20>> (Year: 2011).\*

(\*\*) Term: **15 Years**

\* cited by examiner

(21) Appl. No.: **29/734,415**

(22) Filed: **May 12, 2020**

*Primary Examiner* — Barbara Fox

(51) **LOC (13) Cl.** ..... **23-01**

*Assistant Examiner* — Jamaal Rasheed

(52) **U.S. Cl.**  
USPC ..... **D23/238**

(74) *Attorney, Agent, or Firm* — Nirav D. Parikh; Edgar A. Zarins

(58) **Field of Classification Search**  
USPC ..... D23/238–243, 249, 255, 257  
CPC .... E03C 1/0401; E03C 1/0402; E03C 1/0404;  
E03C 1/0405; E03C 1/0412

(57) **CLAIM**

The ornamental design for a faucet body, as shown and described.

See application file for complete search history.

**DESCRIPTION**

(56) **References Cited**

**U.S. PATENT DOCUMENTS**

D76,827 S \* 11/1928 Smith ..... D23/252  
D163,236 S \* 5/1951 Young ..... D23/249  
D429,521 S \* 8/2000 Doughty ..... D23/250  
D452,101 S \* 12/2001 Yeh ..... D6/550  
D478,754 S \* 8/2003 Moore ..... D6/524  
D494,396 S \* 8/2004 Veltz ..... D6/524  
D516,354 S \* 3/2006 Sedwick ..... D6/550  
D868,939 S \* 12/2019 Bahler ..... D23/238  
D875,217 S \* 2/2020 Bahler ..... D23/238  
D875,218 S \* 2/2020 Chen ..... D23/255

FIG. 1 is a front perspective view of a faucet body showing my new design;

FIG. 2 is a rear perspective view thereof;

FIG. 3 is a front elevational view thereof;

FIG. 4 is a left side view thereof;

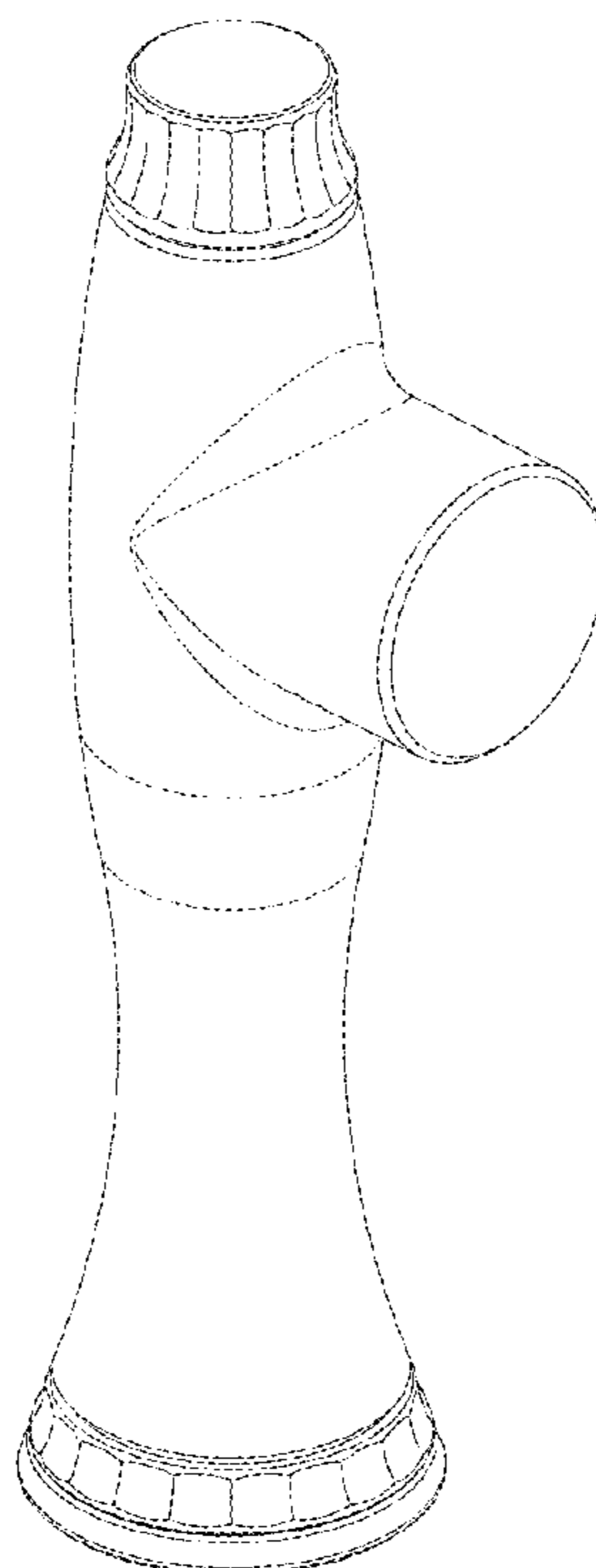
FIG. 5 is a rear view thereof;

FIG. 6 is a right side view thereof;

FIG. 7 is a top plan view thereof; and,

FIG. 8 is a bottom view thereof.

**1 Claim, 4 Drawing Sheets**



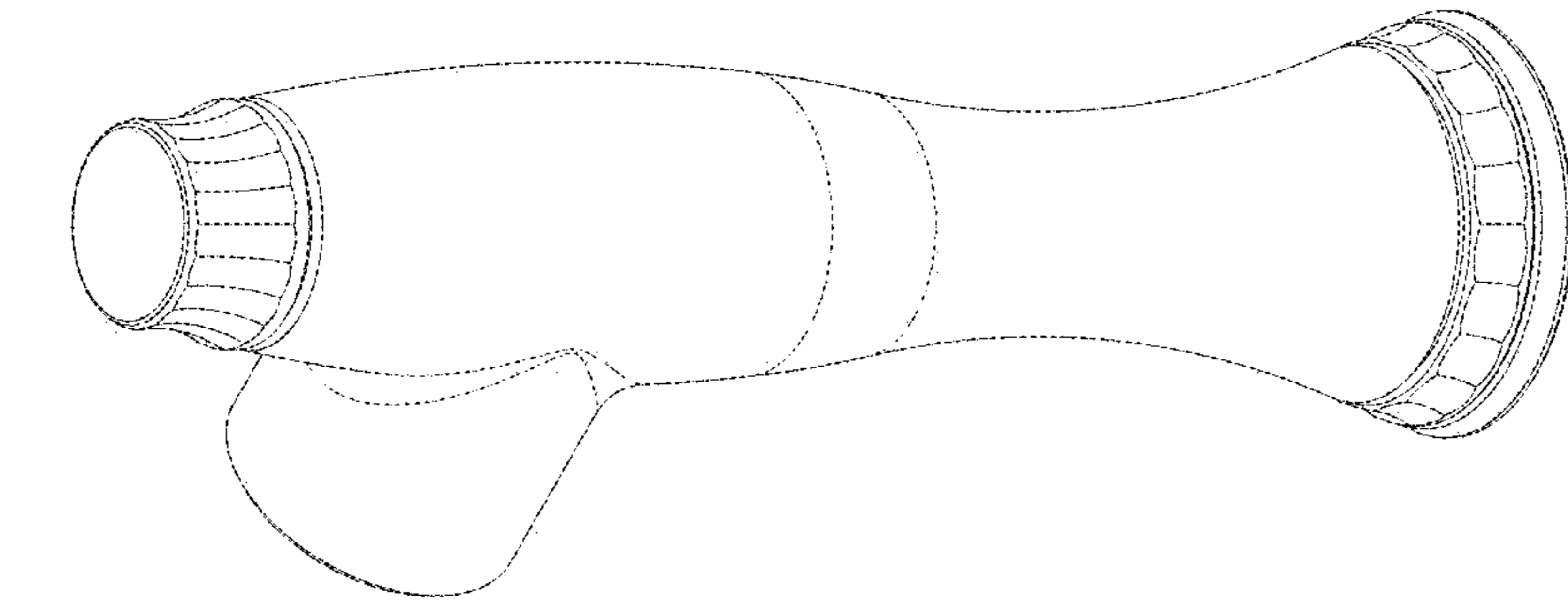


FIG - 2

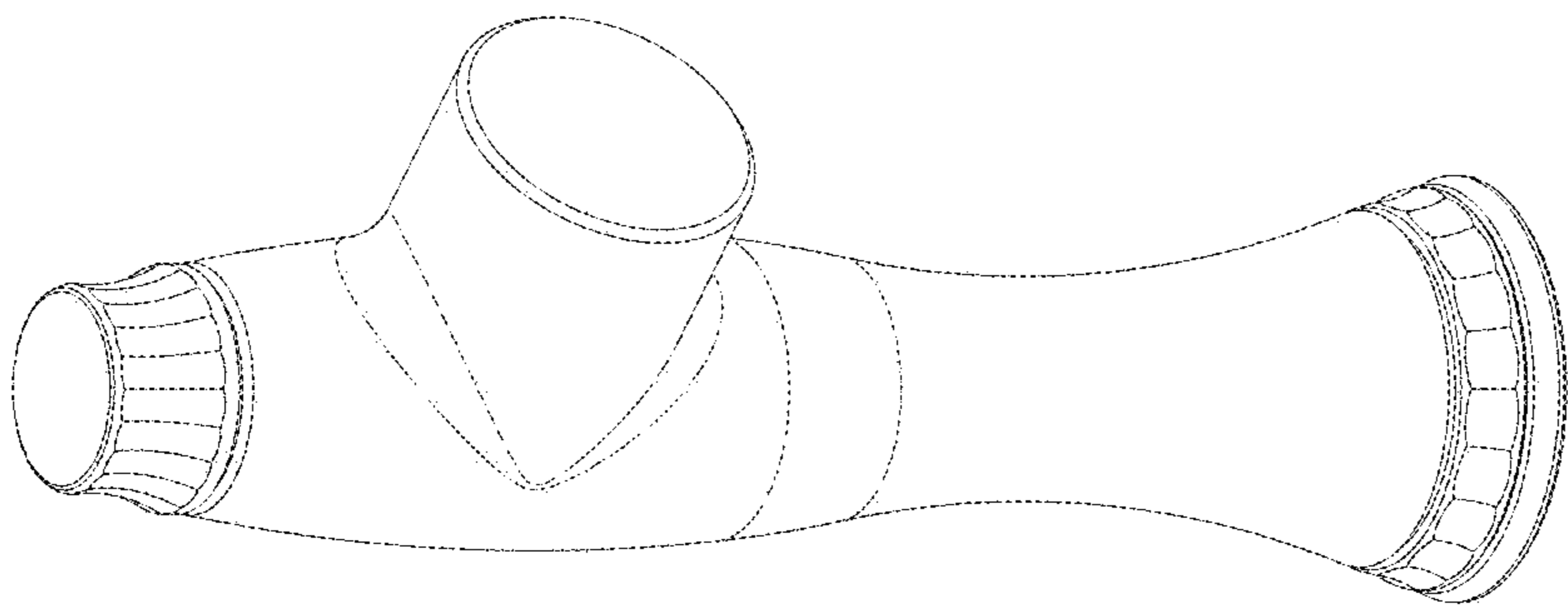


FIG - 1

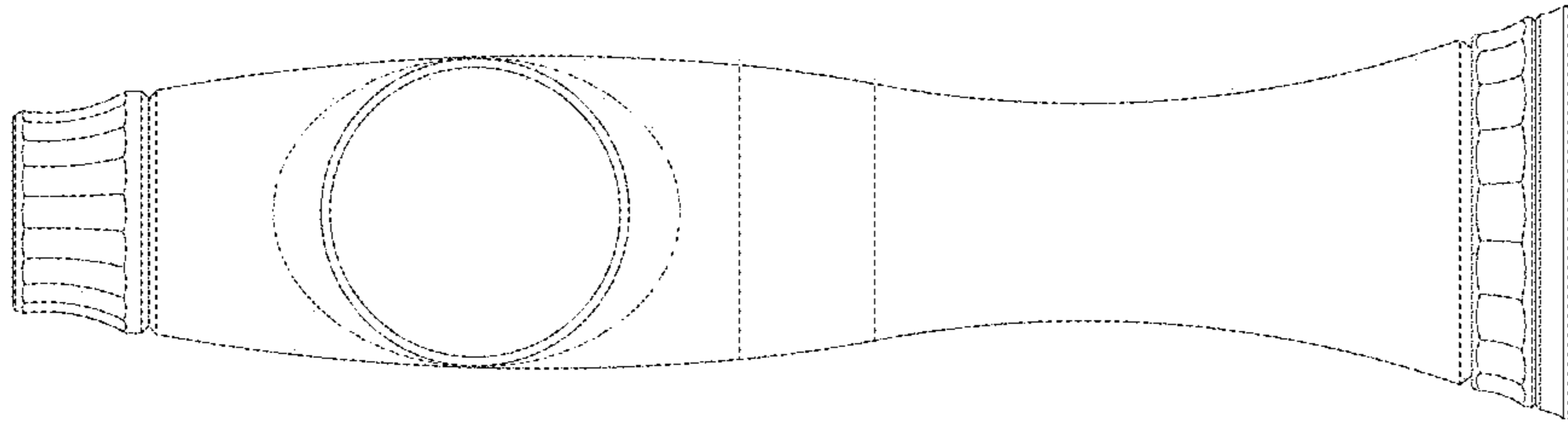


FIG - 4

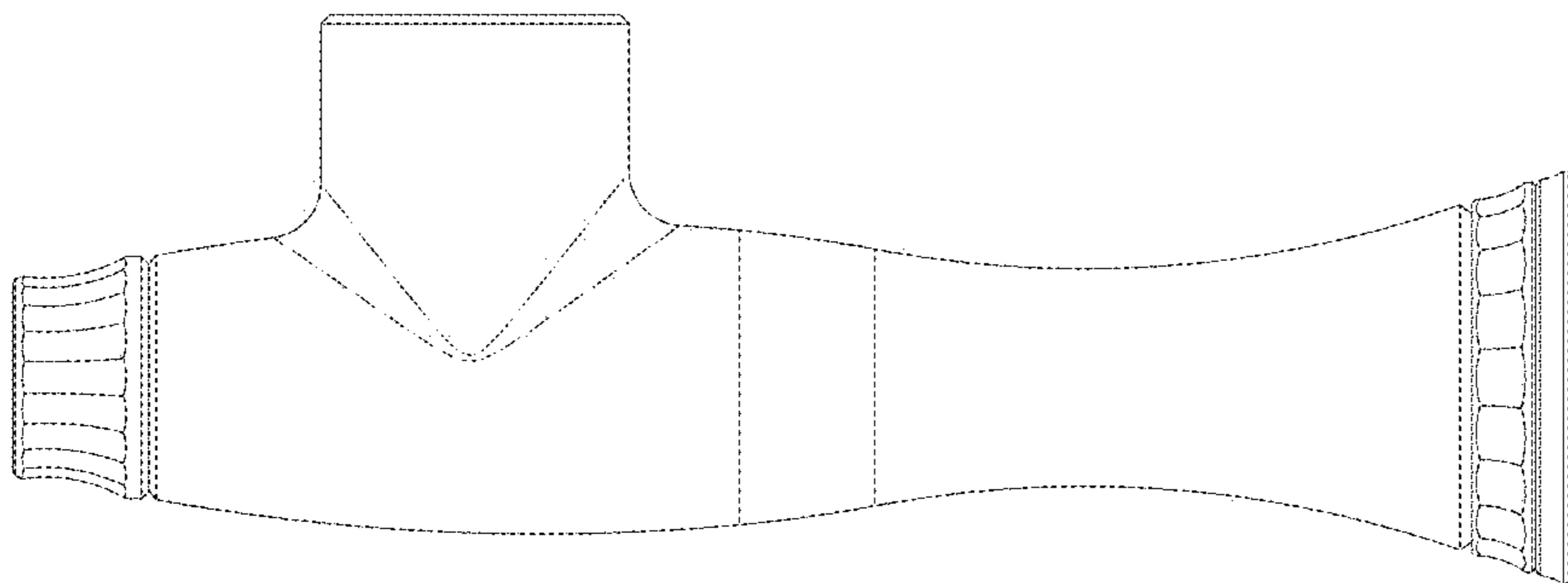


FIG - 3

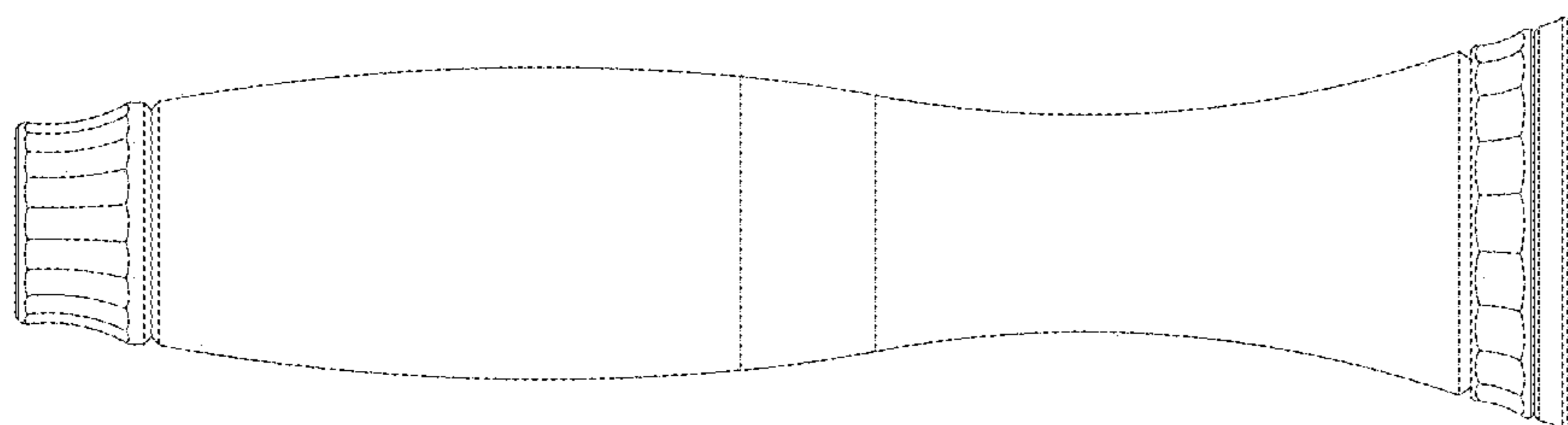


FIG - 6

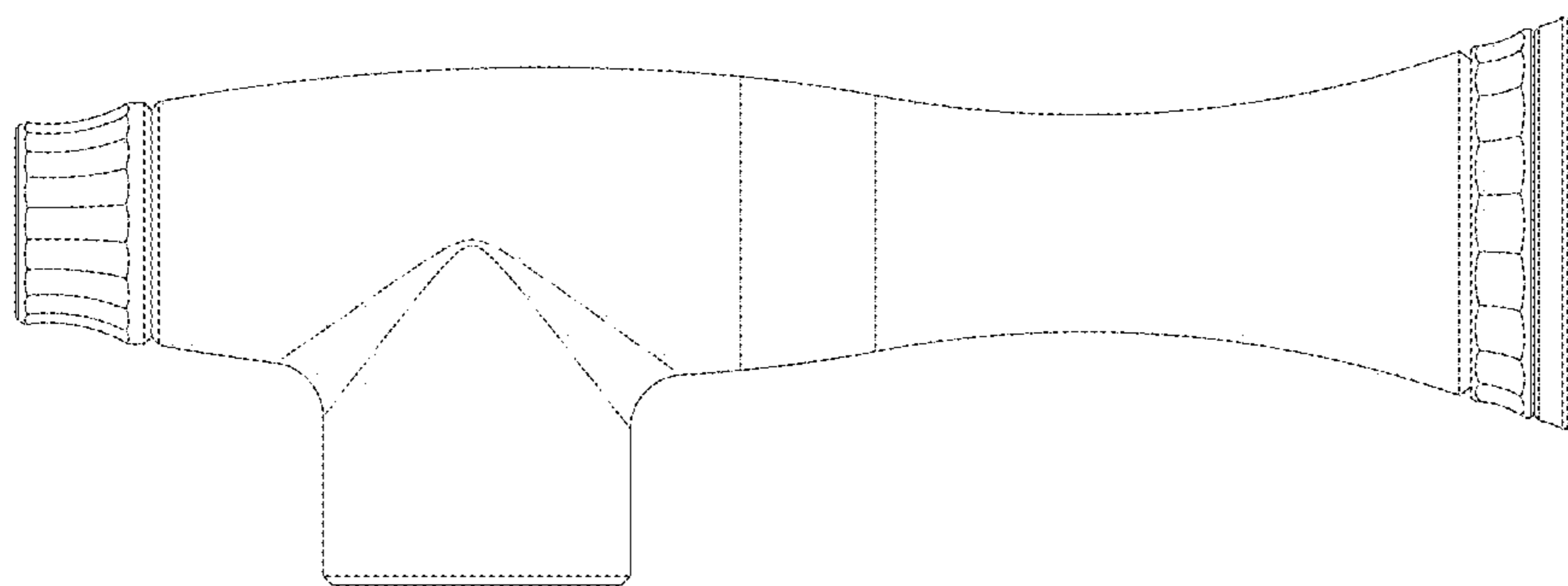


FIG - 5

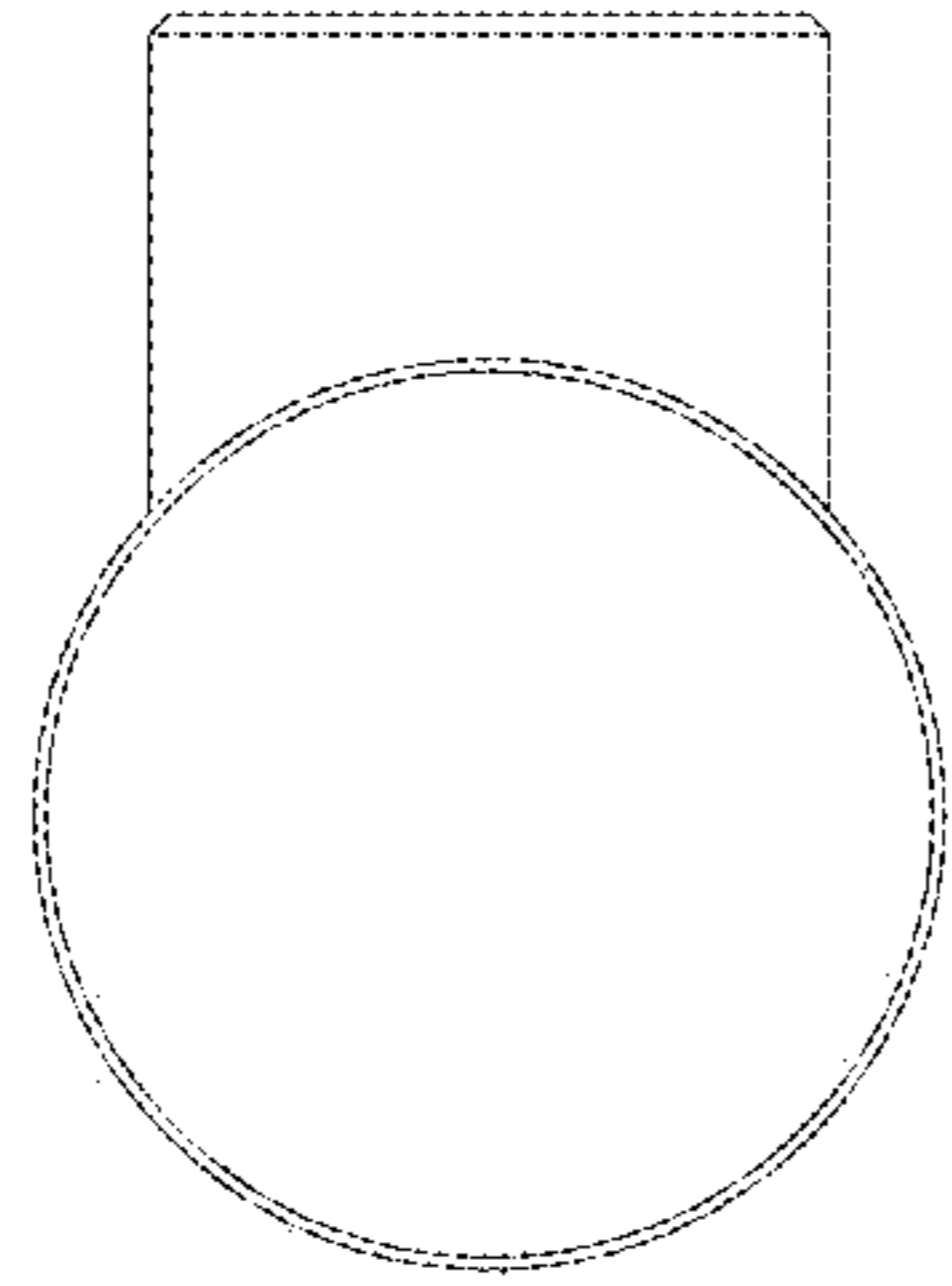


FIG - 8

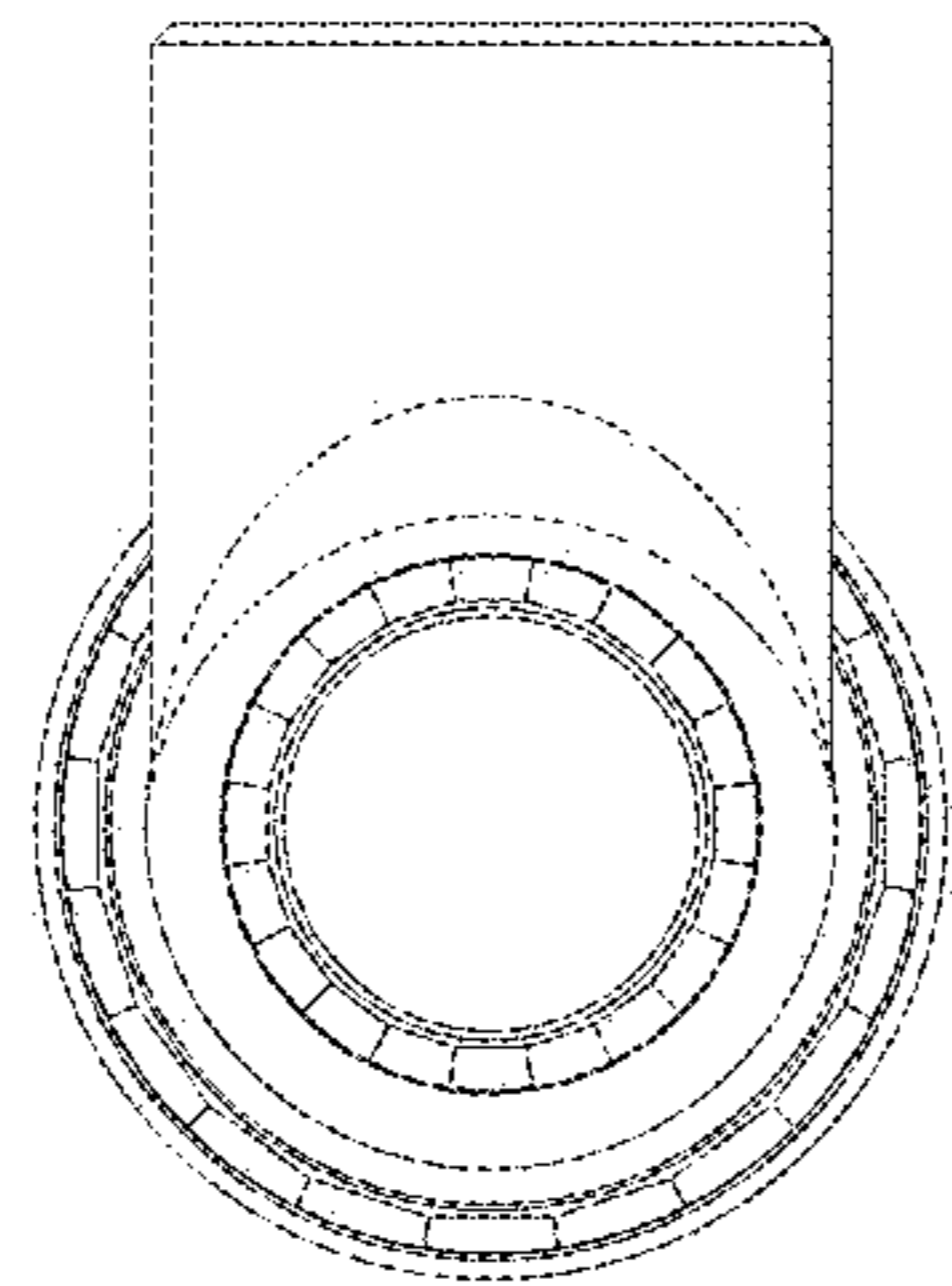


FIG - 7