



US00D939051S

(12) **United States Design Patent** (10) **Patent No.:** **US D939,051 S**
Para (45) **Date of Patent:** **** Dec. 21, 2021**

(54) **FAUCET BODY**

FOREIGN PATENT DOCUMENTS

(71) Applicant: **DELTA FAUCET COMPANY**,
Indianapolis, IN (US)

CA 183099 * 8/2018

(72) Inventor: **Lauren Para**, Lisle, IL (US)

OTHER PUBLICATIONS

(73) Assignee: **DELTA FAUCET COMPANY**,
Indianapolis, IN (US)

Moen Brantford Motionsense Wave Touchless One-Handle Pulldown Kitchen Faucet, announced Dec. 1, 2018[online], [site visited Jul. 28, 2021]. Available from internet, URL:<<https://www.amazon.com/Moen-Brantford-Motionsense-One-Handle-7185EWC/dp/B07MHJX584>> (Year: 2018).*

(**) Term: **15 Years**

* cited by examiner

(21) Appl. No.: **29/733,750**

(22) Filed: **May 6, 2020**

Primary Examiner — Barbara Fox

Assistant Examiner — Jamaal Rasheed

(51) **LOC (13) Cl.** **23-01**

(74) *Attorney, Agent, or Firm* — Nirav D. Parikh; Edgar A. Zarins

(52) **U.S. Cl.**

USPC **D23/238**

(58) **Field of Classification Search**

USPC D23/238–243, 249, 255, 257

CPC E03C 1/0401; E03C 1/0402; E03C 1/0404;

E03C 1/0405; E03C 1/0412

See application file for complete search history.

(57) **CLAIM**

The ornamental design for a faucet body, as shown and described.

DESCRIPTION

(56) **References Cited**

U.S. PATENT DOCUMENTS

D580,017 S	*	11/2008	Yegyayan	D23/238
D625,780 S	*	10/2010	Soriano	D23/255
D800,260 S	*	10/2017	Fritz	D23/238
D873,385 S	*	1/2020	Tentler	D23/257
D873,386 S	*	1/2020	Tentler	D23/257
D876,588 S	*	2/2020	Garland	D23/238
D883,434 S	*	5/2020	Lu	D23/238
D914,156 S	*	3/2021	Zhu	D23/249
D921,160 S	*	6/2021	Liu	D23/238

FIG. 1 is a front perspective view of a faucet body showing my new design;

FIG. 2 is a rear perspective view thereof;

FIG. 3 is a front elevational view thereof;

FIG. 4 is a left side view thereof;

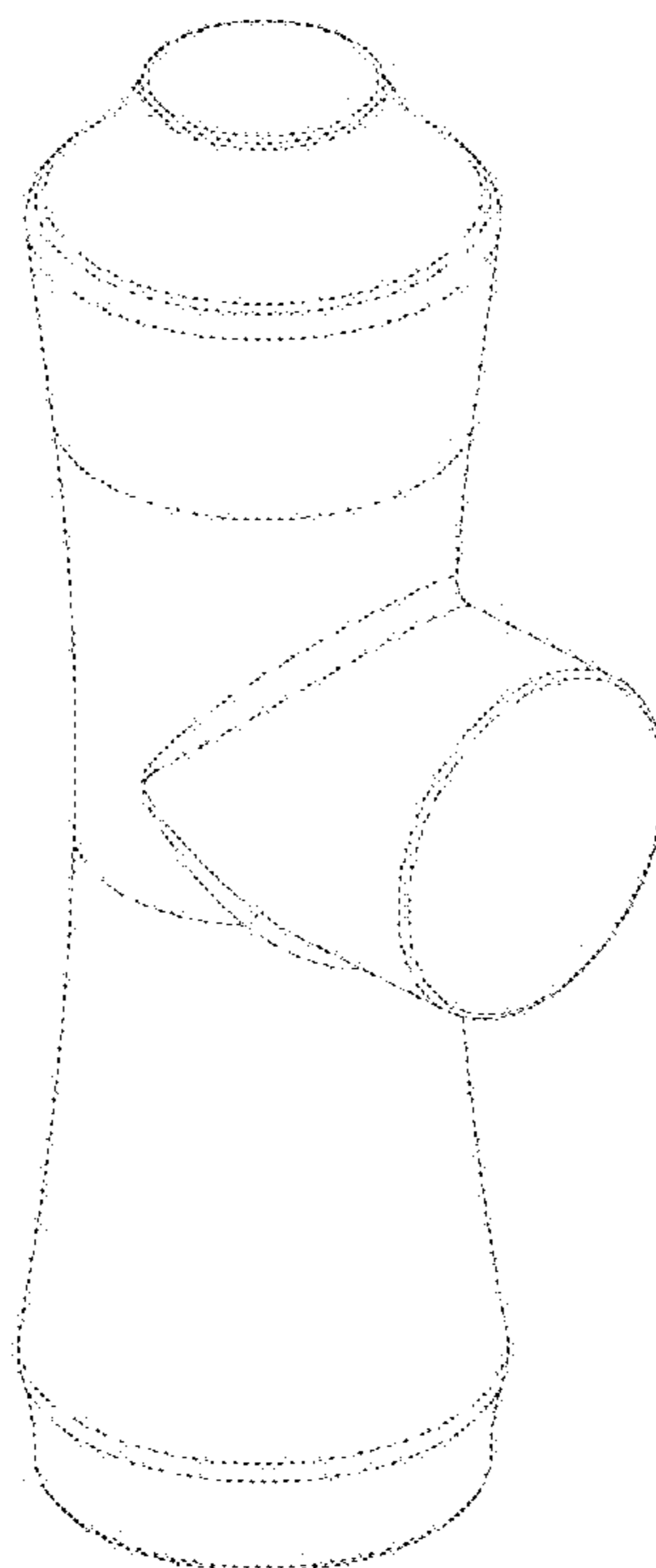
FIG. 5 is a rear view thereof;

FIG. 6 is a right side view thereof;

FIG. 7 is a top plan view thereof; and,

FIG. 8 is a bottom view thereof.

1 Claim, 4 Drawing Sheets



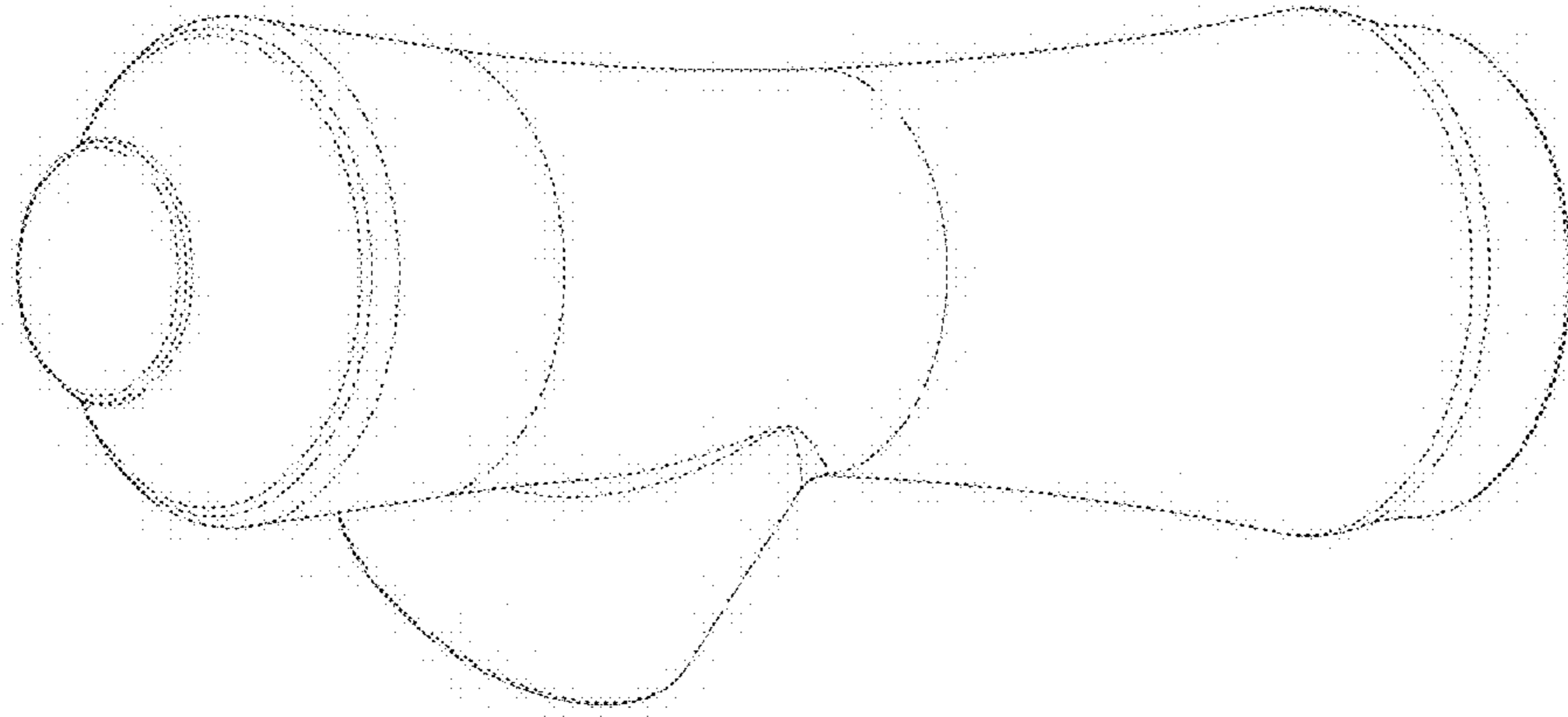


FIG. 2

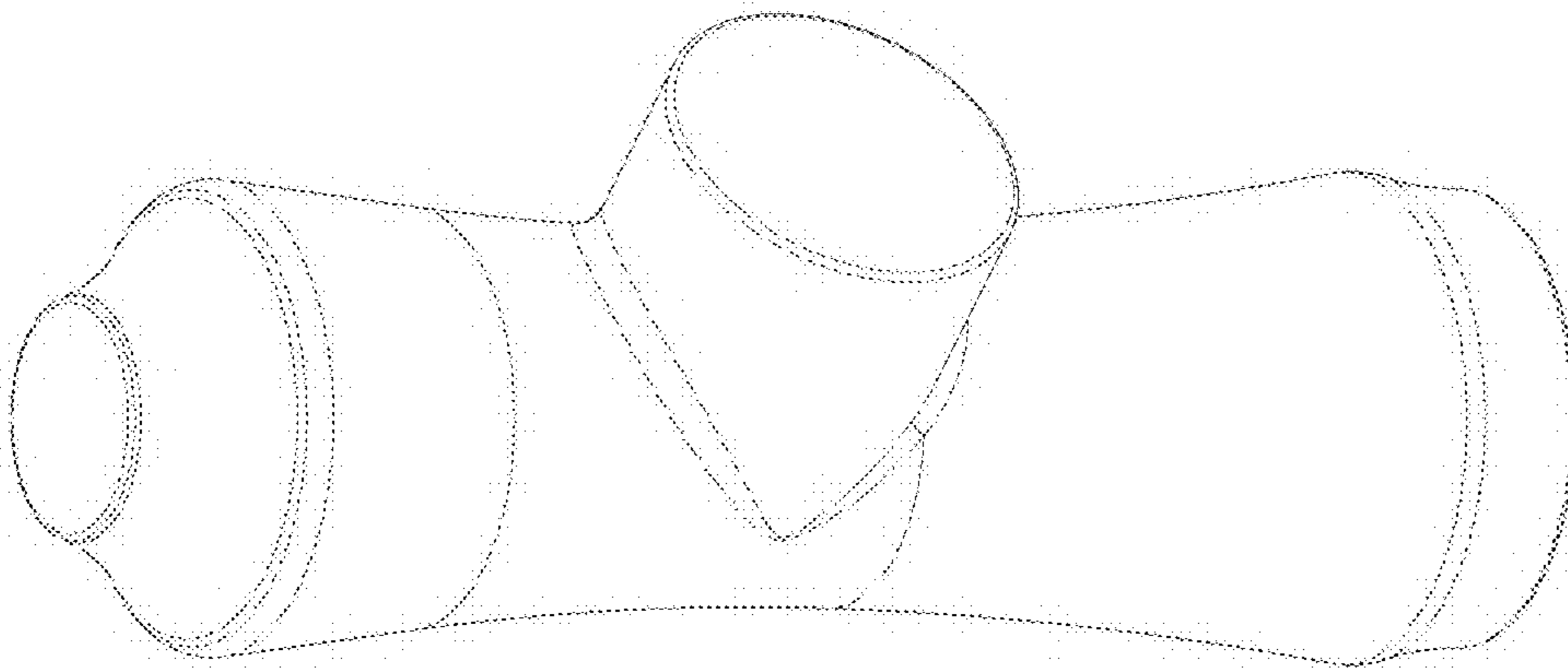


FIG. 1

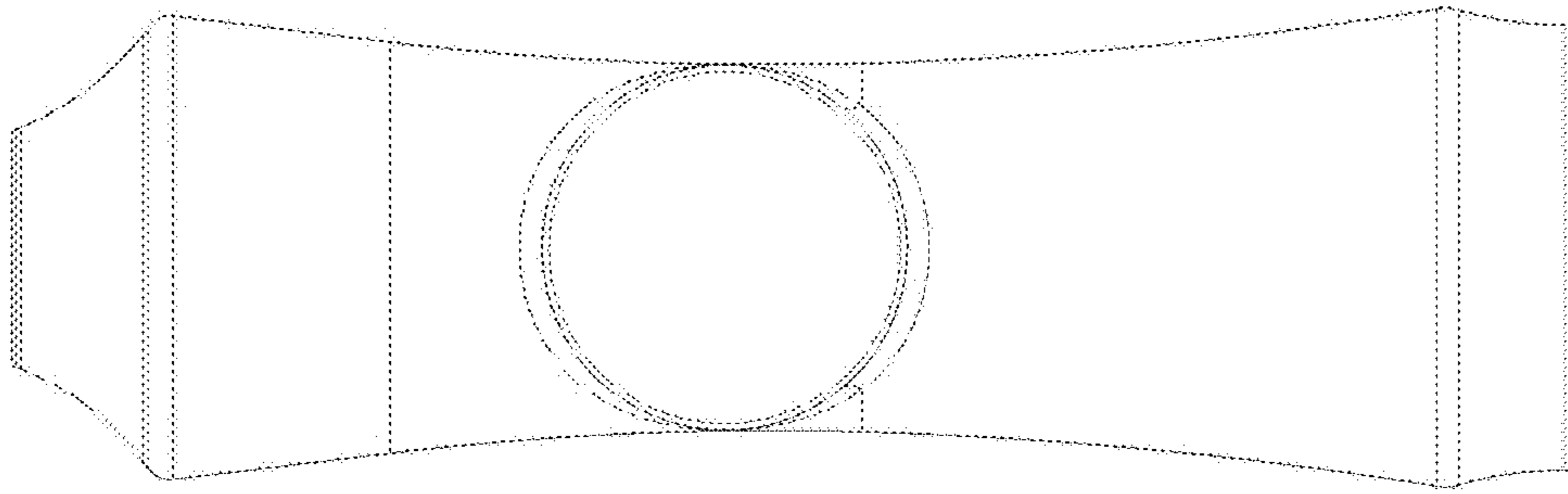


FIG - 4

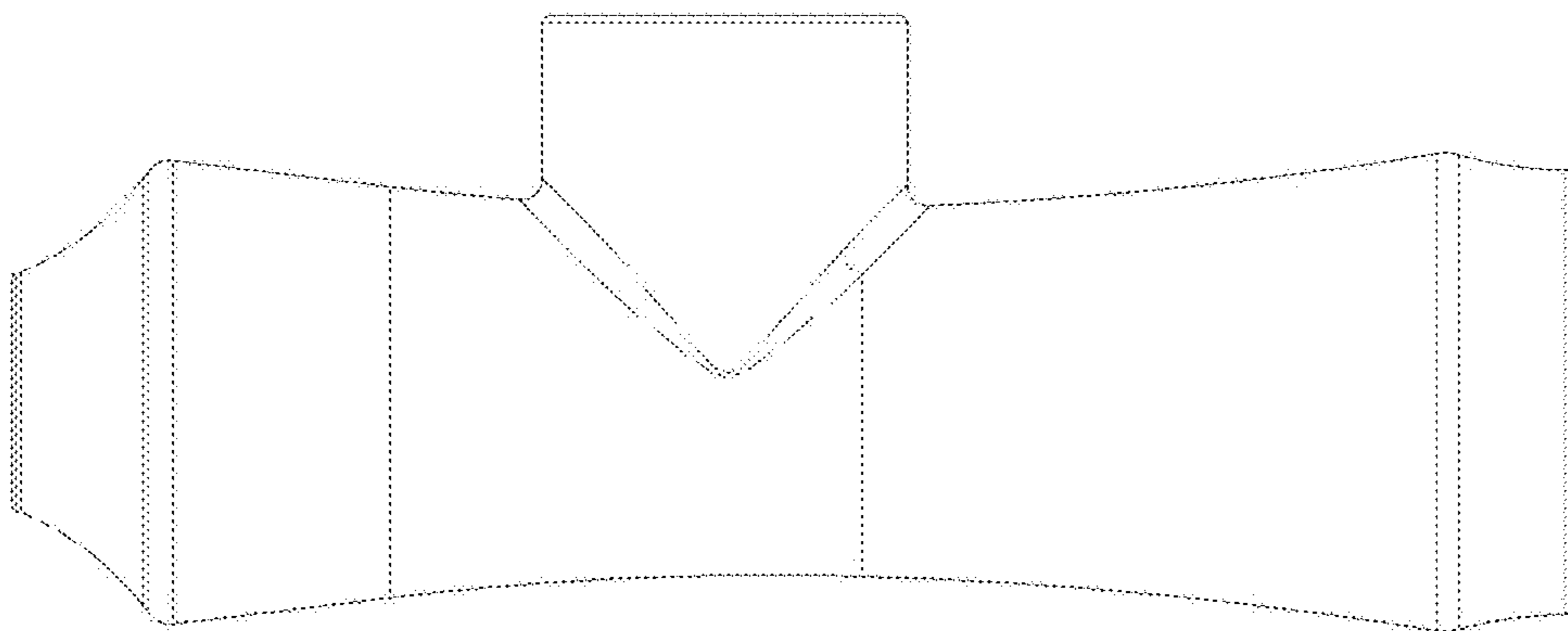


FIG - 3

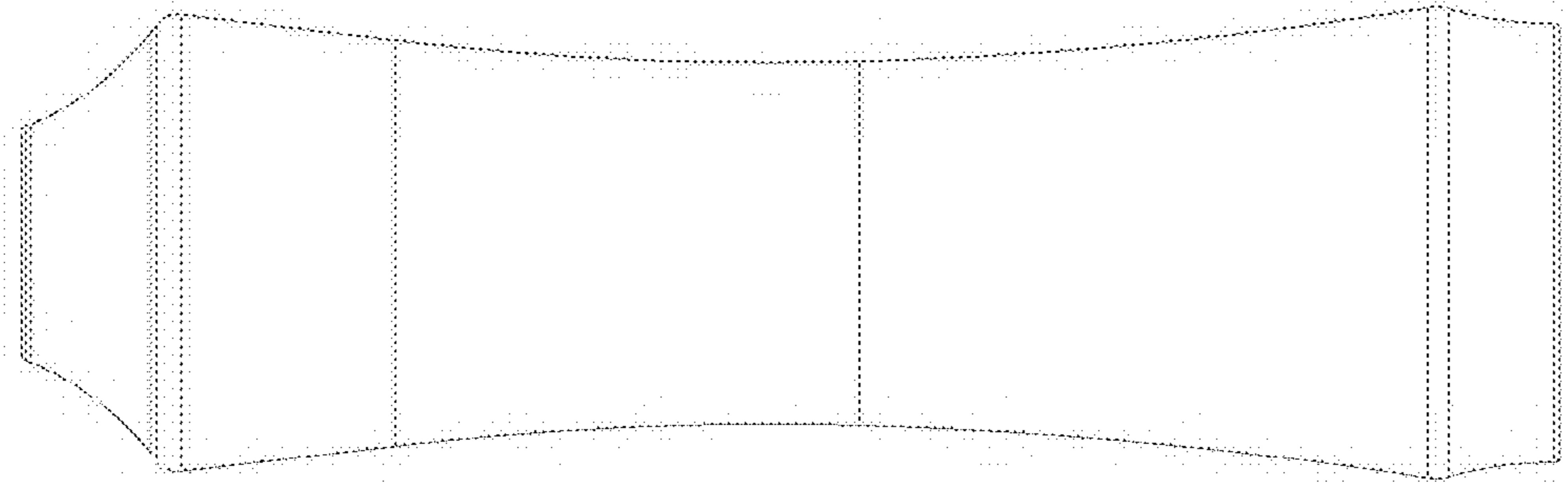


FIG. 6

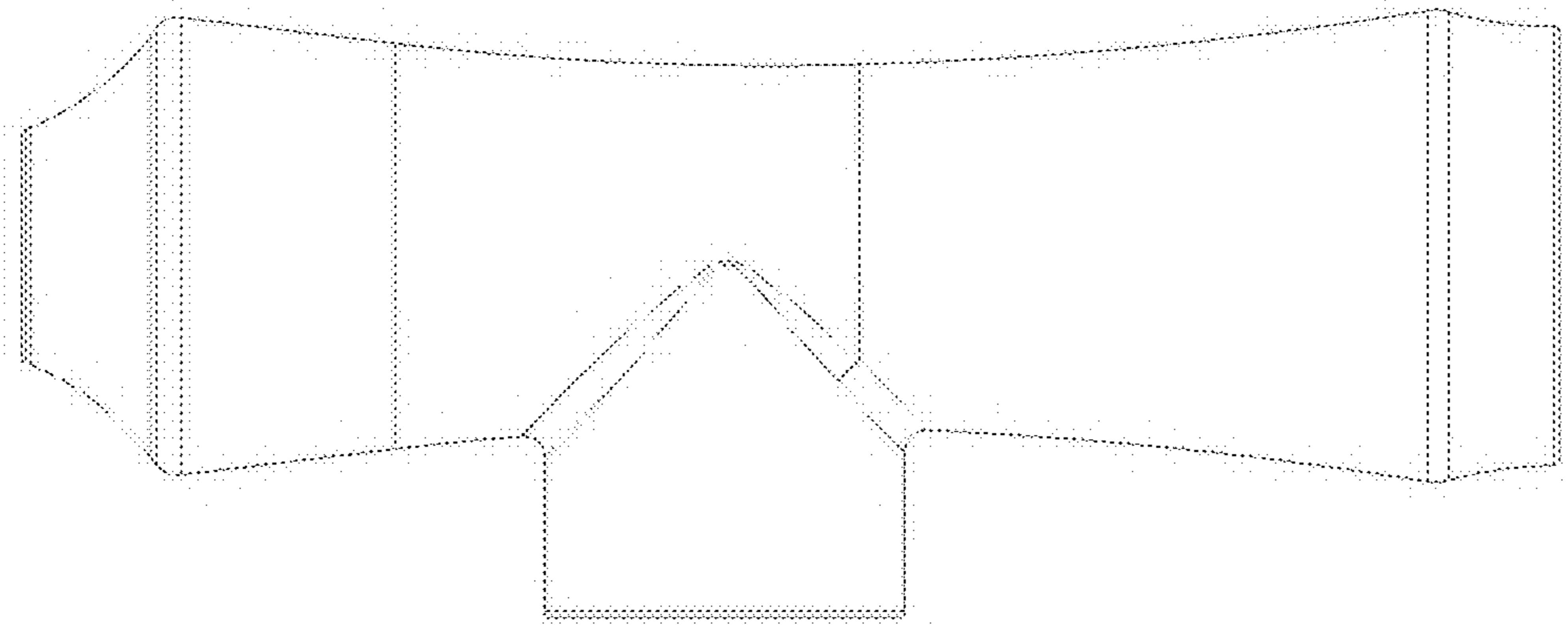


FIG. 7

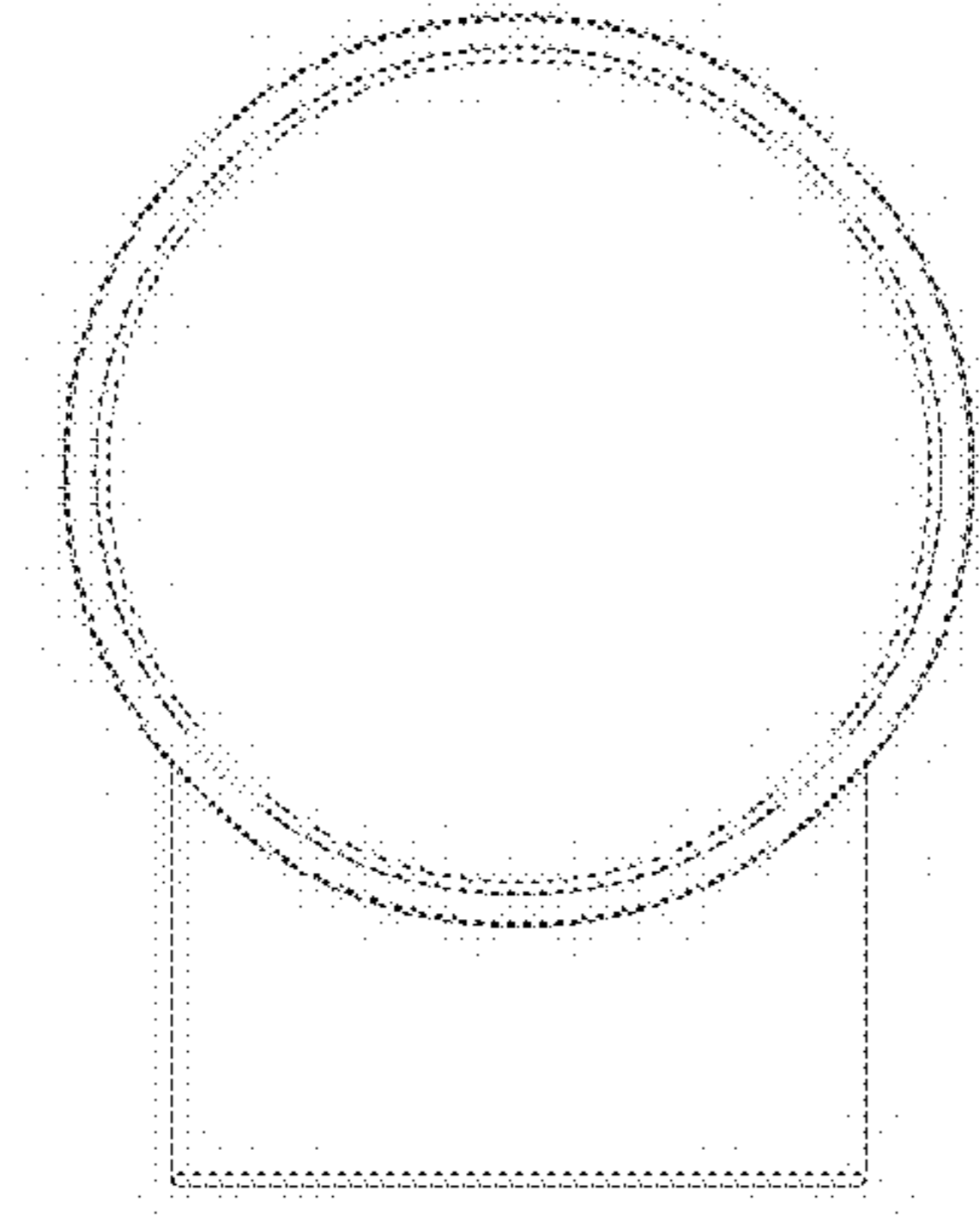


FIG. 8

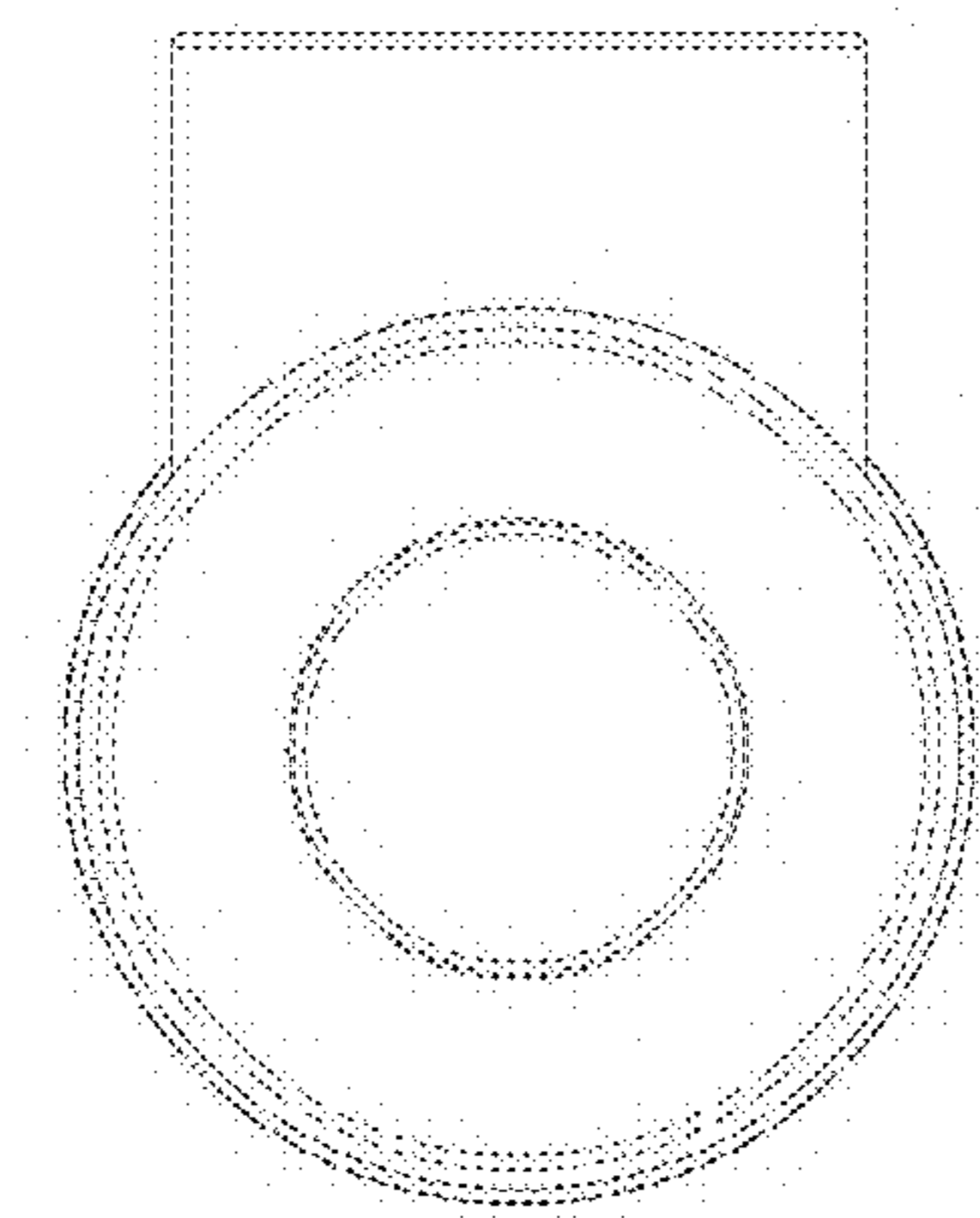


FIG. 7