



US00D939047S

(12) **United States Design Patent** (10) **Patent No.:** **US D939,047 S**
Cocks et al. (45) **Date of Patent:** **** Dec. 21, 2021**

(54) **RAIL SHOWER** 5,632,049 A * 5/1997 Chen E03C 1/06
248/124.2
(71) Applicant: **Phoenix Industries Pty Ltd**, Bayswater (AU) D391,629 S 3/1998 Gottwald
D412,563 S * 8/1999 Milrud D23/304
D416,992 S 11/1999 Neufeld
(Continued)

(72) Inventors: **Andrew John Cocks**, Bayswater (AU);
Ban Hsi Liu, Bayswater (AU)

(73) Assignee: **Phoenix Industries Pty Ltd**, Victoria (AU)

(**) Term: **15 Years**

(21) Appl. No.: **29/702,852**

(22) Filed: **Aug. 22, 2019**

(30) **Foreign Application Priority Data**

Feb. 22, 2019 (AU) 201910944

(51) **LOC (13) Cl.** **23-01**

(52) **U.S. Cl.**
USPC **D23/223**

(58) **Field of Classification Search**
USPC D23/213, 223, 226, 228, 229, 230, 238,
D23/239, 240, 241, 249
CPC B05B 1/16; B05B 1/1618; B05B 1/18;
B05B 1/185; E03C 1/0405; E03C 1/06;
E03C 1/063; E03C 1/066; E03C 1/084;
E03C 2001/0415

See application file for complete search history.

(56) **References Cited**

U.S. PATENT DOCUMENTS

D266,212 S 9/1982 Haug
D267,582 S 1/1983 Mackay
4,964,573 A 10/1990 Lipski
D330,408 S 10/1992 Thacker
D340,376 S 10/1993 Klose
D341,191 S 11/1993 Klose
5,481,765 A * 1/1996 Wang A47K 3/28
4/567

FOREIGN PATENT DOCUMENTS

AU 308198 7/2006
AU 308199 7/2006
(Continued)

OTHER PUBLICATIONS

“How to Install—Slide Rail Shower System SRXBH-643E” Aug. 29, 2019, YouTube, site visited Apr. 19, 2021: <https://www.youtube.com/watch?v=nThLskqGd0w> (Year: 2019).*

(Continued)

Primary Examiner — Jack Reickel
Assistant Examiner — Bobby W Jones, II
(74) *Attorney, Agent, or Firm* — Womble Bond Dickinson (US) LLP

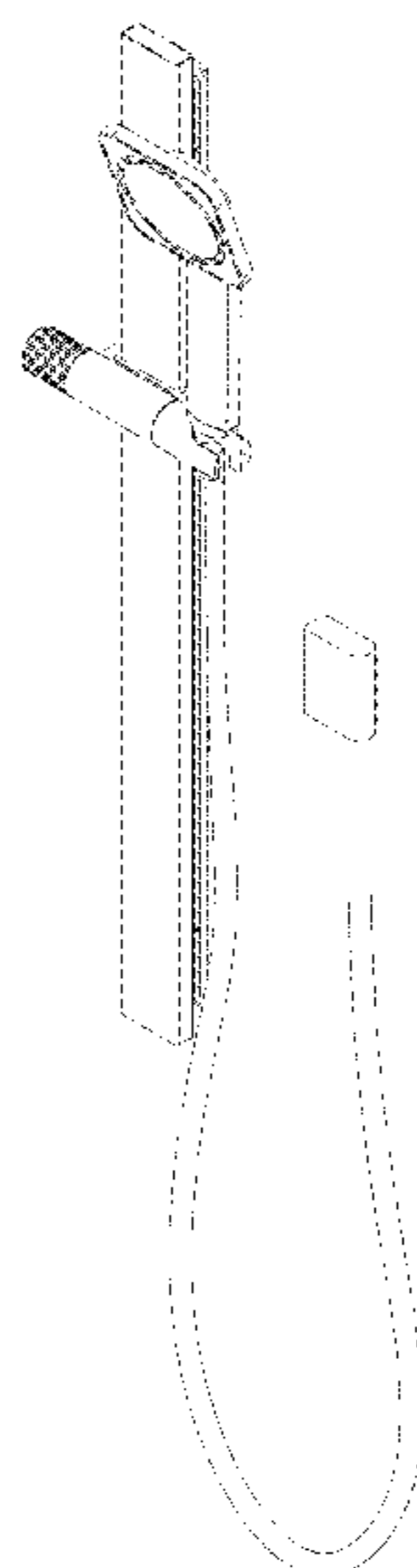
(57) **CLAIM**

The ornamental design for a rail shower, as shown and described.

DESCRIPTION

FIG. 1 is an isometric view of a rail shower according to our new design;
FIG. 2 is a rear view thereof;
FIG. 3 is a front view thereof;
FIG. 4 is a left side view thereof;
FIG. 5 is a right side view thereof; and,
FIG. 6 is a top view thereof.
The evenly-spaced broken lines in the figures represent portions of the rail shower that form no part of the claimed design.

1 Claim, 4 Drawing Sheets



(56)

References Cited

U.S. PATENT DOCUMENTS

D443,685 S *	6/2001	Gottwald	D23/304	8,429,769 B2	4/2013	Gross	
D457,598 S	5/2002	Storti		D681,776 S	5/2013	Cutler	
6,453,486 B1	9/2002	Chen		D681,781 S	5/2013	Cutler	
D477,863 S	7/2003	Singtoroj		D687,924 S	8/2013	Newson	
D484,226 S	12/2003	Cropelli		D694,357 S	11/2013	Brodey	
D487,498 S	3/2004	Blomstrom		D694,358 S	11/2013	Schoenherr	
D496,447 S	9/2004	Lobermeier		D694,359 S	11/2013	Schoenherr	
D496,448 S *	9/2004	Haug	D23/304	D694,361 S	11/2013	Schoenherr	
D496,987 S	10/2004	Glunk		D694,856 S	12/2013	Madsen	
D497,974 S	11/2004	Haug		D695,880 S	12/2013	Schoenherr	
D498,514 S	11/2004	Haug		D697,177 S	1/2014	Schoenherr	
D508,730 S	8/2005	Blomstrom		D705,900 S	5/2014	Bailey	
D512,120 S	11/2005	Haug		D707,328 S	6/2014	Schoenherr	
D513,525 S	1/2006	Haug		D707,330 S	6/2014	Schoenherr	
D519,187 S	4/2006	Tse		D710,973 S	8/2014	Madsen	
7,043,776 B1	5/2006	Wu		D713,003 S	9/2014	Sandee	
D522,612 S	6/2006	Eilmus		D713,004 S	9/2014	Schoenherr	
D524,406 S	7/2006	Hoernig		D713,496 S	9/2014	Schoenherr	
D524,412 S	7/2006	Blomstrom		D713,498 S	9/2014	Schoenherr	
D527,072 S	8/2006	Wu		D714,421 S	9/2014	Flowers	
7,093,309 B2 *	8/2006	Kollmann	E03C 1/06 4/570	8,851,398 B2	10/2014	Li	
D531,259 S	10/2006	Hsieh		D718,418 S	11/2014	Georgeson	
D540,427 S	4/2007	Bouroullec		D719,640 S	12/2014	Yu	
D540,925 S *	4/2007	Garner	D23/304	8,919,709 B2 *	12/2014	Zhou	E03C 1/066 248/122.1
D541,394 S *	4/2007	Toyohara	D23/304	D723,137 S	2/2015	Nikles	
D542,394 S *	5/2007	Cropelli	D23/304	8,991,432 B2	3/2015	Zhou	
D543,093 S	5/2007	Chan		D730,493 S	5/2015	Sehl	
D545,419 S	6/2007	Nikles		9,027,857 B2	5/2015	Kull	
D550,337 S	9/2007	Stein		D733,258 S	6/2015	Sandee	
D556,855 S	12/2007	Mullenmeister		9,046,261 B2	6/2015	Zhang	
D562,937 S	2/2008	Schoenherr		D735,841 S	8/2015	Obara	
D562,950 S	2/2008	Nikles		D736,347 S	8/2015	Tan	
D564,066 S	3/2008	Lammel		D736,348 S	8/2015	Tan	
D565,703 S	4/2008	Lammel		D737,929 S	9/2015	Rexach	
D565,711 S	4/2008	Giggs		D737,931 S	9/2015	Schoenherr	
D566,228 S	4/2008	Neagoe		D737,932 S	9/2015	Nikles	
D566,231 S	4/2008	Lammel		D738,991 S	9/2015	Brodey	
D567,637 S	4/2008	Moore		D743,507 S	11/2015	Georgeson	
D578,622 S	10/2008	Kollmann		9,175,460 B2	11/2015	Ukigai	
D580,025 S *	11/2008	Kollmann	D23/304	D746,422 S	12/2015	Schoenherr	
D581,485 S	11/2008	Kollmann		D746,423 S	12/2015	Schoenherr	
D584,803 S	1/2009	Lammel		D746,955 S	1/2016	Corder	
D589,117 S *	3/2009	Bardsley	D23/228	D746,963 S	1/2016	Barber	
D590,916 S	4/2009	Schoenherr		D746,964 S	1/2016	Schoenherr	
D590,917 S	4/2009	Schoenherr		D749,694 S	2/2016	Madsen	
D592,276 S	5/2009	Schoenherr		D751,174 S	3/2016	Schoenherr	
D593,640 S	6/2009	Schoenherr		D751,175 S	3/2016	Schoenherr	
D604,802 S	11/2009	Schoenherr		D751,176 S	3/2016	Schoenherr	
D613,370 S	4/2010	Allard		D752,711 S	3/2016	Georgeson	
7,721,363 B2	5/2010	Huang		9,273,452 B2	3/2016	Wilson	
D620,077 S	7/2010	Lee		9,297,151 B2 *	3/2016	Blessing	E03C 1/06
D622,809 S	8/2010	Montgomery		D757,894 S	5/2016	Schoenherr	
7,766,291 B2 *	8/2010	Eilmus	E03C 1/066 248/222.11	D757,895 S	5/2016	Schoenherr	
D624,155 S	9/2010	Yokoyama		D758,532 S	6/2016	Schoenherr	
D626,194 S	10/2010	Kakihana		9,382,699 B2 *	7/2016	Andersen	F16B 2/18
D634,401 S	3/2011	Flowers		9,387,495 B2	7/2016	Schumacher	
D637,026 S *	5/2011	Lin	D6/374	9,410,309 B2	8/2016	Sharratt	
D637,266 S	5/2011	Flowers		D778,402 S	2/2017	Schoenherr	
D639,382 S	6/2011	Flowers		D778,404 S	2/2017	Schoenherr	
D649,623 S	11/2011	Flowers		D779,038 S	2/2017	Hanna	
D654,983 S	2/2012	Schoenherr		D779,039 S	2/2017	Hanna	
D655,386 S	3/2012	Schoenherr		D785,131 S	4/2017	Cimino	
D655,783 S	3/2012	Schoenherr		D787,458 S	5/2017	Kim	
D656,582 S	3/2012	Flowers		D790,665 S *	6/2017	Spangler	D23/238
D659,167 S	5/2012	Cocks		D791,277 S	7/2017	Eads	
D659,794 S	5/2012	Flowers		D793,527 S	8/2017	Zanger	
D659,797 S	5/2012	Farley		D801,475 S	10/2017	Naslund	
D665,479 S	8/2012	Cocks		D803,350 S	11/2017	Tian	
D669,156 S	10/2012	Schoenherr		9,822,924 B2	11/2017	Wu	
D669,962 S	10/2012	Schoenherr		D808,499 S	1/2018	Naslund	
D672,010 S	12/2012	Verdeflor		D809,094 S	1/2018	Naslund	
D674,038 S	1/2013	Mendoza		D810,233 S	2/2018	Winter	
D680,619 S	4/2013	Zhadanov		D810,234 S	2/2018	Winter	
				D810,861 S	2/2018	Weaver	
				D811,524 S	2/2018	Bossini	
				D813,348 S	3/2018	Bossini	
				D820,388 S	6/2018	Seum	
				D820,949 S	6/2018	Reinnecker	

(56)

References Cited

FOREIGN PATENT DOCUMENTS

U.S. PATENT DOCUMENTS

D821,542 S 6/2018 Reinnecker
 D822,157 S 7/2018 L'Henaff
 D824,485 S 7/2018 Montoya
 D828,491 S 9/2018 Schoenherr
 D828,511 S 9/2018 Liu et al.
 D828,512 S 9/2018 Liu et al.
 D828,516 S 9/2018 Liu et al.
 D828,909 S 9/2018 Liu et al.
 D832,398 S 10/2018 Lin
 D833,575 S 11/2018 Soulier
 D839,384 S 1/2019 Svendsen
 D840,503 S 2/2019 Stein
 D841,121 S 2/2019 Kiefer
 D841,125 S 2/2019 Lai
 D841,126 S 2/2019 Lai
 D841,128 S * 2/2019 Zhou D23/228
 D841,786 S 2/2019 Hsieh
 10,195,654 B2 2/2019 Honda
 D842,429 S 3/2019 Huang
 D842,430 S 3/2019 Huang
 D842,431 S 3/2019 Cacka
 D842,967 S 3/2019 Farley
 D844,749 S 4/2019 Cocks
 D846,077 S 4/2019 Liu
 D846,696 S 4/2019 Cocks
 D846,701 S 4/2019 Liu
 D846,702 S 4/2019 Liu
 D847,302 S 4/2019 Cocks
 D849,696 S 4/2019 Cocks et al.
 D849,191 S 5/2019 Cocks et al.
 D851,207 S 6/2019 Cocks et al.
 D855,759 S 8/2019 Winter
 D855,760 S 8/2019 Lee
 D856,475 S 8/2019 Gessi
 D858,700 S 9/2019 Stoler
 D861,830 S 10/2019 Quinn
 D865,132 S 10/2019 Hoogendoorn et al.
 D865,133 S 10/2019 Hoogendoorn et al.
 D866,715 S 11/2019 Liu et al.
 D868,213 S 11/2019 Hoogendoorn et al.
 D869,608 S 12/2019 Seum
 D879,245 S 3/2020 Eads
 D879,247 S 3/2020 Stoler
 D888,195 S 6/2020 Cocks et al.
 D890,884 S 7/2020 Downey
 D902,346 S * 11/2020 Cocks D23/213
 D904,276 S * 12/2020 Hostetter D12/223
 10,851,528 B2 12/2020 Wang
 2008/0223957 A1 9/2008 Schorn
 2009/0222983 A1 * 9/2009 Bosio E03C 1/066
 4/596
 2010/0037389 A1 2/2010 Gross
 2010/0320295 A1 12/2010 Mang
 2011/0108640 A1 5/2011 Grahe
 2013/0248017 A1 9/2013 Neagoe
 2013/0283520 A1 10/2013 Schulte
 2014/0251454 A1 * 9/2014 Blessing E03C 1/06
 137/360
 2016/0265201 A1 9/2016 Hoogendoorn et al.
 2018/0298596 A1 10/2018 Tsai
 2019/0211537 A1 * 7/2019 Lee E03C 1/021
 2019/0249402 A1 * 8/2019 Whitfield F16M 13/022
 2020/0263399 A1 8/2020 Sierks
 2021/0079632 A1 3/2021 Beattie

AU 308201 7/2006
 AU 308202 7/2006
 AU 314560 6/2007
 AU 314563 6/2007
 AU 321286 10/2008
 AU 328364 11/2009
 AU 328365 11/2009
 AU 334096 12/2010
 AU 336356 5/2011
 AU 336357 5/2011
 AU 337781 7/2011
 AU 337782 7/2011
 AU 344493 9/2012
 AU 344494 9/2012
 AU 350490 8/2013
 AU 355991 6/2014
 AU 355992 6/2014
 AU 355993 6/2014
 AU 355994 6/2014
 AU 357542 9/2014
 AU 357840 9/2014
 AU 357842 9/2014
 AU 357843 9/2014

OTHER PUBLICATIONS

“Delta Faucet Vero 57530” Sep. 29, 2012, Amazon, site visited Apr. 19, 2021: <https://www.amazon.ca/dp/B0040YM6L8/> (Year: 2012). * Amazon; 8 Inch Rainfall Shower Head; WaterPoint; available at https://www.amazon.com/Inch-Rainfall-Shower-Head-WaterPoint/dp/B07R62JT94/ref=sr_1_1_75?keywords=showerhead&qid=1566490142&s=gateway&sr=8-75; available prior to Aug. 22, 2019. TOI Basin Mixer, Phoenix Tapware, Showers & Accessoiresis, <http://www.phoenixtapware.com.au/products/toi-basin-mixer>, known at least as early as Oct. 25, 2016, 3 pgs. TOI Wall Basin/Bath Mixer Set, <http://www.phoenixtapware.com.au/toi-wall-basin-mixer-set180mm>, known at least as early as Oct. 25, 2016, 3 pgs. TOI Sink Mixer Squareline, Phoenix Tapware, Showers & Accessories, <http://www.phoenixtapware.com.au/toi-sink-mixer-180mm-squareline>, known at least as early as Oct. 26, 2016, 3 pgs. “HammerHead Showers 1F-HHS-CH-2.5”, Nov. 14, 2017, Amazon, site visited Apr. 19, 2021: <https://www.amazon.com/dp/B077GHJFLP> (Year: 2017). “ALFI brand AB7938”, Dec. 6, 2013, Amazon, site visited Apr. 19, 2021: <https://www.amazon.com/dp/BOOH50Z9ZV> (Year: 2013). “Hansgrohe 4266000”, Feb. 18, 2010, Amazon, site visited Apr. 19, 2021: <https://www.amazon.com/dp/B002VKP5CU/> (Year: 2010). “Moen 3668EPBN”, Jun. 13, 2013, Amazon, site visited Apr. 19, 2021: <https://www.amazon.com/dp/BOODDVZCHO/> (Year: 2013). “Gowe GWE-1024863”, May 22, 2016, Amazon, site visited Apr. 19, 2021: <https://www.amazon.com/dp/B01G050BGW> (Year: 2016). “Bright Showers Square Shower Wand”, Jul. 19, 2018, Amazon, site visited Apr. 19, 2021: <https://www.amazon.com/dp/B07FPKD3WC/> (Year: 2018). “Oil Rubbed Bronze Rain Shower”, Mar. 8, 2018, Amazon, site visited Apr. 19, 2021: <https://www.amazon.com/dp/B07B9XR1PF/> (Year: 2018). “Grohe 27867001”, Apr. 1, 2018, Amazon, site visited Apr. 19, 2021: <https://www.amazon.com/dp/B07BYHDQ8V/> (Year: 2018). “Jaclo 6458-MBK”, Sep. 16, 2015, Amazon, site visited Apr. 19, 2021: <https://www.amazon.com/dp/B015GG6K4M/> (Year: 2015). “KES Home Towel Hook 5846598”, Apr. 17, 2015, Amazon, site visited Apr. 19, 2021: <https://www.amazon.com/dp/BOOW8V60NU/> (Year: 2015).

* cited by examiner

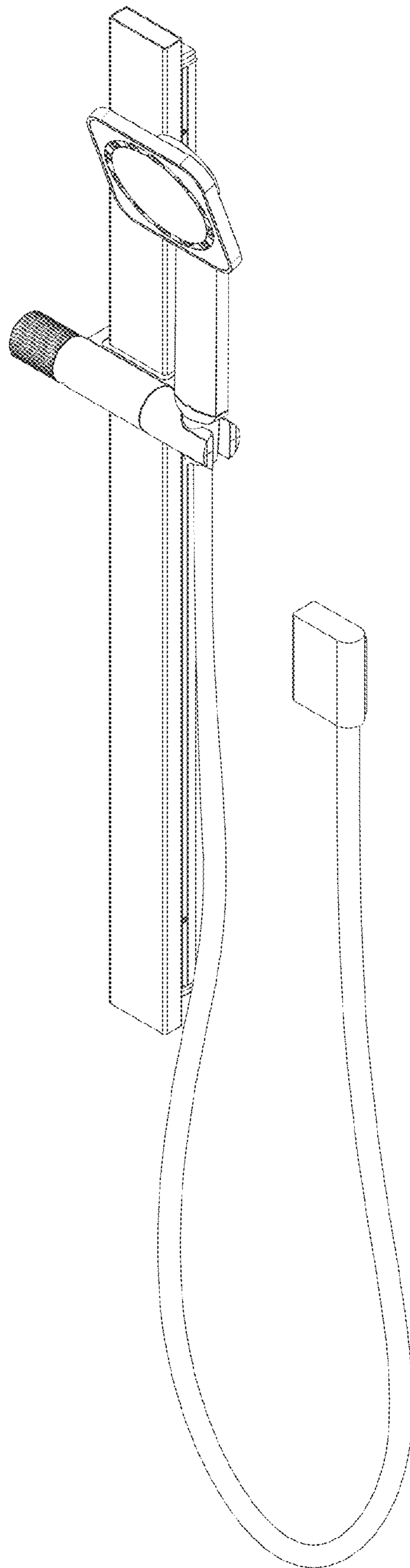


FIG. 1

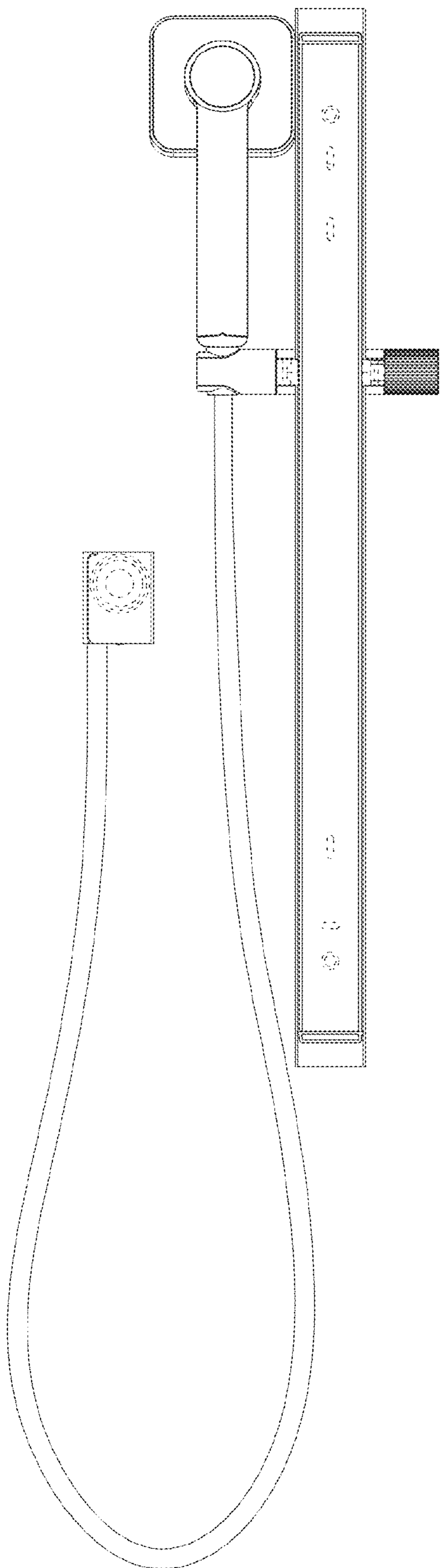


FIG. 2

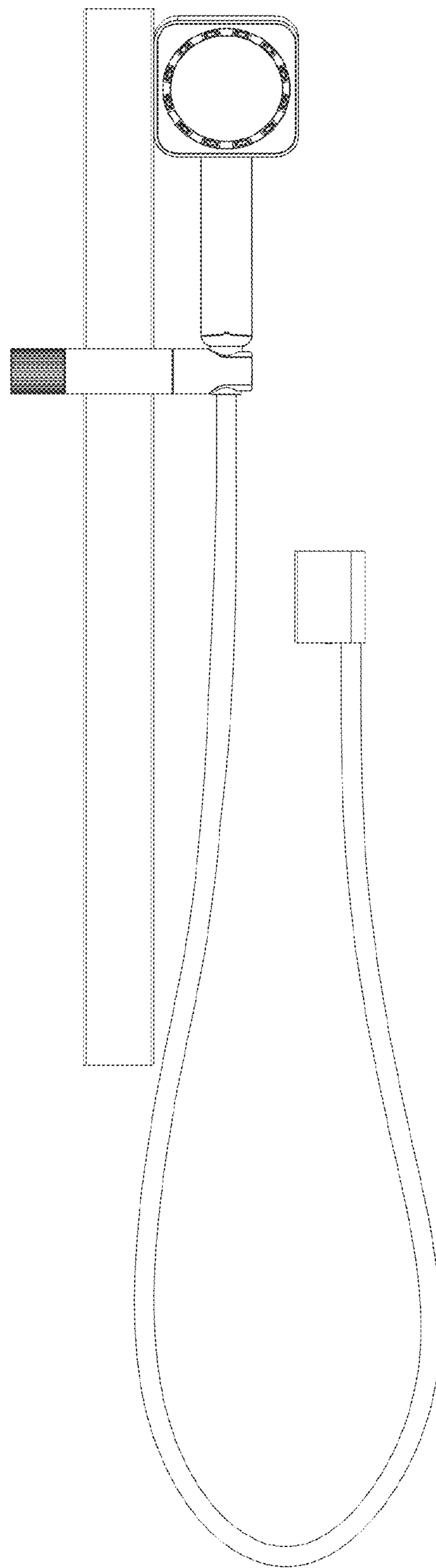


FIG. 3

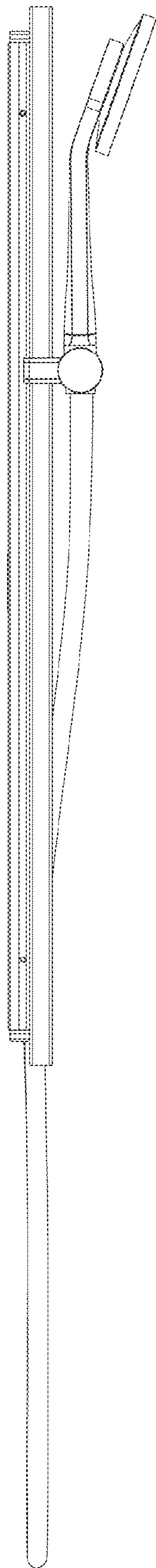


FIG. 4

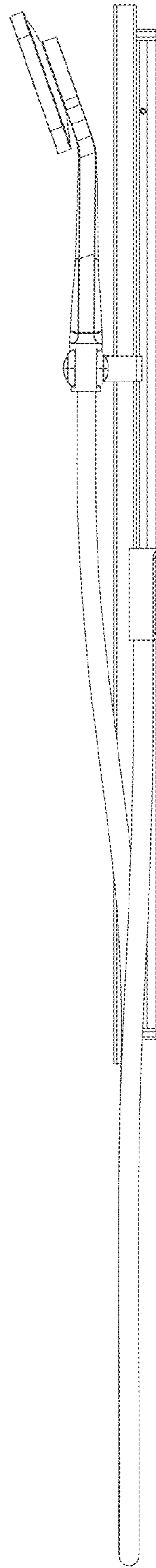


FIG. 5

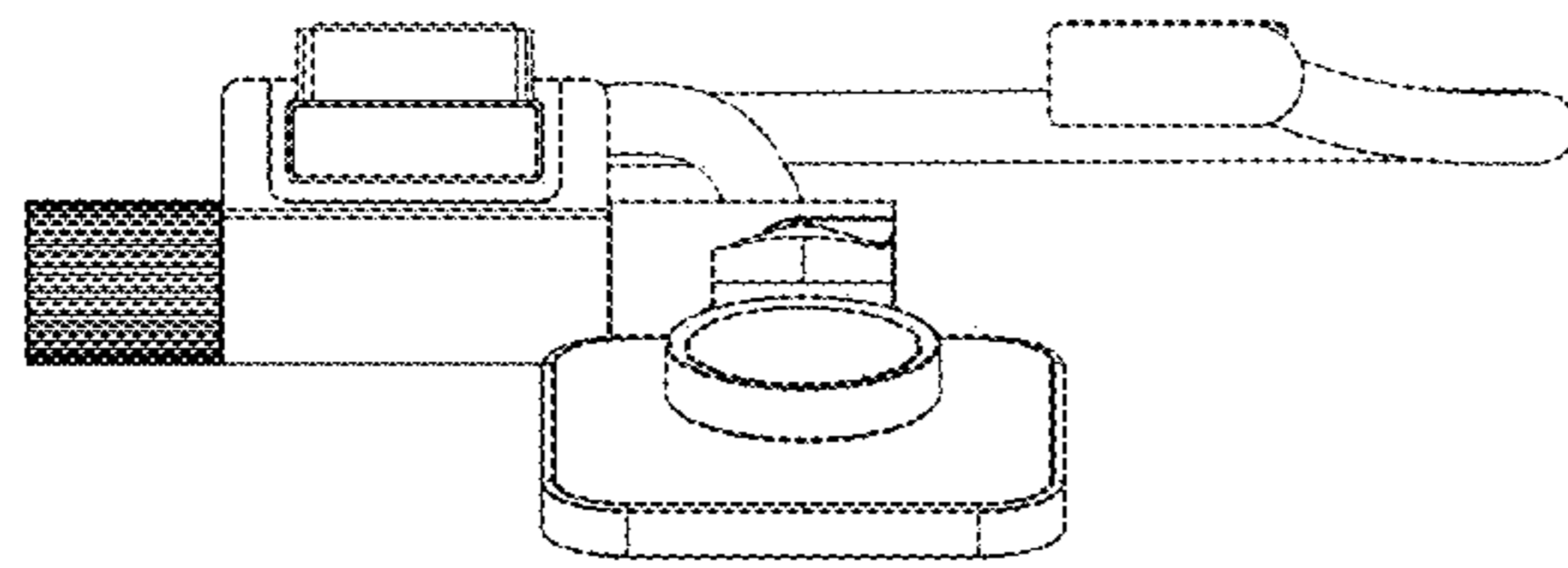


FIG. 6