



US00D939044S

(12) **United States Design Patent**
Liqin

(10) **Patent No.:** **US D939,044 S**

(45) **Date of Patent:** **** Dec. 21, 2021**

(54) **WATER FILTER CARTRIDGE**

(71) Applicant: **Ningbo Pureza Technology, LLC,**
Ningbo (CN)

(72) Inventor: **Liu Liqin,** Ningbo (CN)

(73) Assignee: **Ningbo Pureza Technology, LLC,**
Zhejiang (CN)

(**) Term: **15 Years**

(21) Appl. No.: **29/750,931**

(22) Filed: **Sep. 17, 2020**

(51) **LOC (13) Cl.** **23-01**

(52) **U.S. Cl.**
USPC **D23/209**

(58) **Field of Classification Search**
USPC D23/209, 356
See application file for complete search history.

(56) **References Cited**

U.S. PATENT DOCUMENTS

| | | | |
|----------------|---------|----------|-------------|
| D330,712 S | 11/1992 | Pingel | |
| D494,654 S | 8/2004 | Macaulay | |
| 8,398,853 B2 * | 3/2013 | An | B01D 35/153 |
| | | | 210/235 |
| 8,741,137 B2 * | 6/2014 | Ruprecht | C02F 1/001 |
| | | | 210/232 |
| D731,616 S * | 6/2015 | Zou | D23/209 |

(Continued)

OTHER PUBLICATIONS

Frigidaire filter 2016 found on Mar. 3, 2021 at <https://www.amazon.com/Frigidaire-WF3CB-Puresource-Replacement-Filter/dp/B0045LLC7K/>(Year: 2016).*

(Continued)

Primary Examiner — Karen S Acker
Assistant Examiner — Jonathan E Fiencke

(57) **CLAIM**

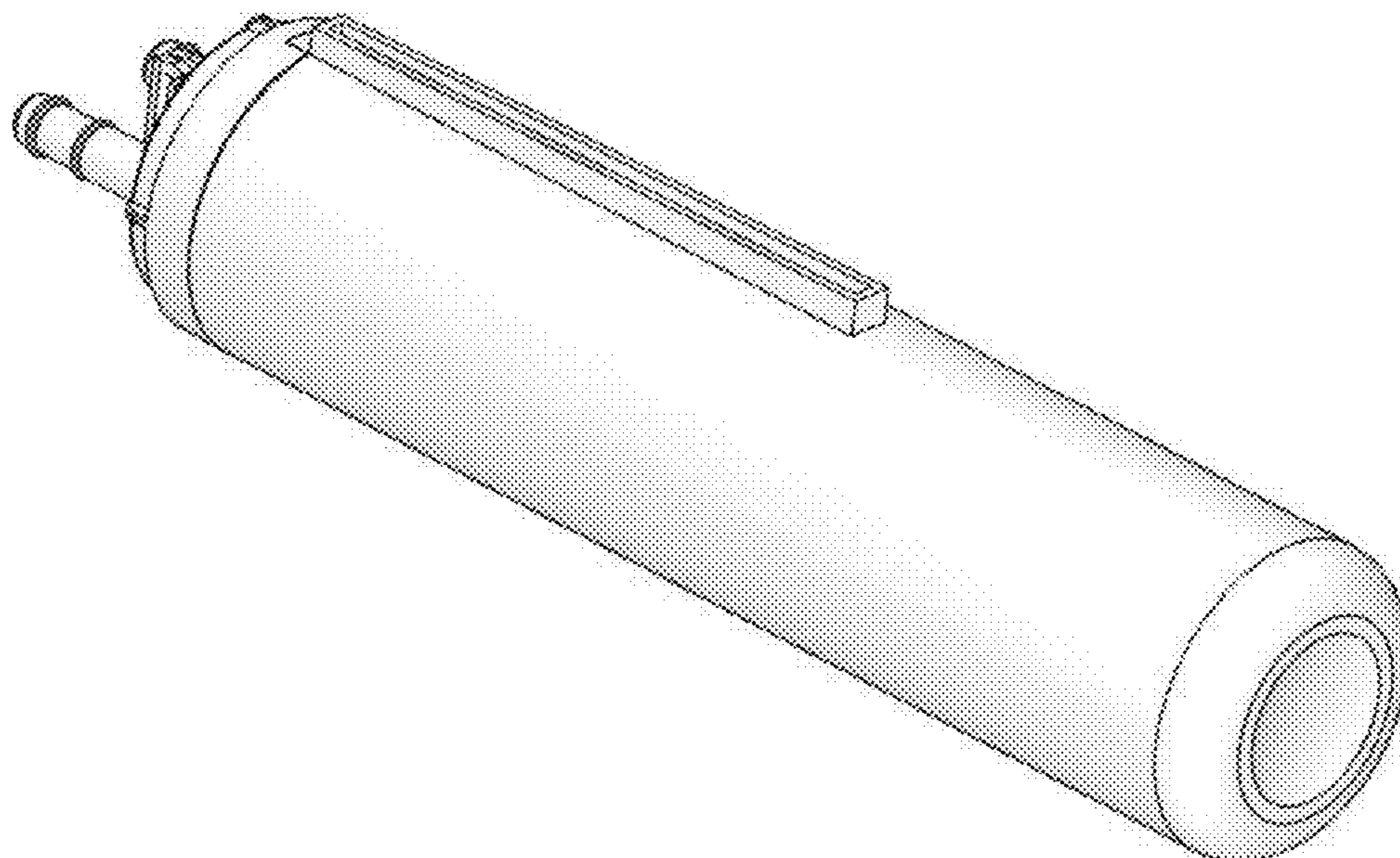
The ornamental design for a water filter cartridge, as shown and described.

DESCRIPTION

FIG. 1 is a top, front, right side perspective view of a water filter cartridge showing my new design;
 FIG. 2 is a front elevation view thereof;
 FIG. 3 is an enlarged detail view of area 3 circumscribed within FIG. 2;
 FIG. 4 is a back elevation view thereof;
 FIG. 5 is an enlarged detail view of area 5 circumscribed within FIG. 4;
 FIG. 6 is a right side elevation view thereof;
 FIG. 7 is a left side elevation view thereof;
 FIG. 8 is a top, back, left side perspective view thereof;
 FIG. 9 is an enlarged detail view of area 9 circumscribed within FIG. 8;
 FIG. 10 is a top, back, right side perspective view thereof;
 FIG. 11 is a top, front, left side perspective view thereof;
 FIG. 12 is an enlarged detail view of area 12 circumscribed within FIG. 11;
 FIG. 13 is a bottom, back, left side perspective view thereof;
 FIG. 14 is an enlarged detail view of area 14 circumscribed within FIG. 13;
 FIG. 15 is a bottom, back, right side perspective view thereof;
 FIG. 16 is a bottom, front, left side perspective view thereof;
 FIG. 17 is an enlarged detail view of area 17 circumscribed within FIG. 16; and
 FIG. 18 is a bottom, front, right side perspective view thereof.

The broken lines in the figures depict the boundary lines of the enlarged detail views and form no part of the claim.

1 Claim, 11 Drawing Sheets



(56)

References Cited

U.S. PATENT DOCUMENTS

| | | | | |
|--------------|------|---------|----------|------------------------------|
| D755,922 | S | 5/2016 | Sherman | |
| D759,789 | S | 6/2016 | Baird | |
| D759,790 | S * | 6/2016 | Baird | D23/209 |
| D760,868 | S | 7/2016 | Lu | |
| D774,623 | S | 12/2016 | Lu | |
| D784,492 | S * | 4/2017 | Lu | D23/209 |
| D788,263 | S | 5/2017 | Brixius | |
| D788,879 | S | 6/2017 | Zou | |
| D792,940 | S | 7/2017 | Reckin | |
| D803,980 | S * | 11/2017 | Zou | D23/209 |
| 9,868,081 | B1 * | 1/2018 | Zhang | C02F 1/001 |
| D818,083 | S | 5/2018 | Dishman | |
| D820,386 | S * | 6/2018 | Campbell | D23/209 |
| D820,387 | S | 6/2018 | Campbell | |
| D827,767 | S | 9/2018 | Lu | |
| D831,154 | S | 10/2018 | Campbell | |
| D831,155 | S * | 10/2018 | Campbell | D23/209 |
| D831,156 | S | 10/2018 | Campbell | |
| D895,421 | S * | 9/2020 | Laible | D9/436 |
| D899,925 | S * | 10/2020 | Laible | D9/436 |
| 2016/0175743 | A1 * | 6/2016 | Baird | B01D 35/153 210/435 |
| 2018/0214804 | A1 * | 8/2018 | Dishman | F25D 23/126 |

OTHER PUBLICATIONS

Glacial Pure filter found on Mar. 3, 2021 at <https://www.amazon.com/dp/B08VS5JGJN/> (Year: 2015).*

* cited by examiner

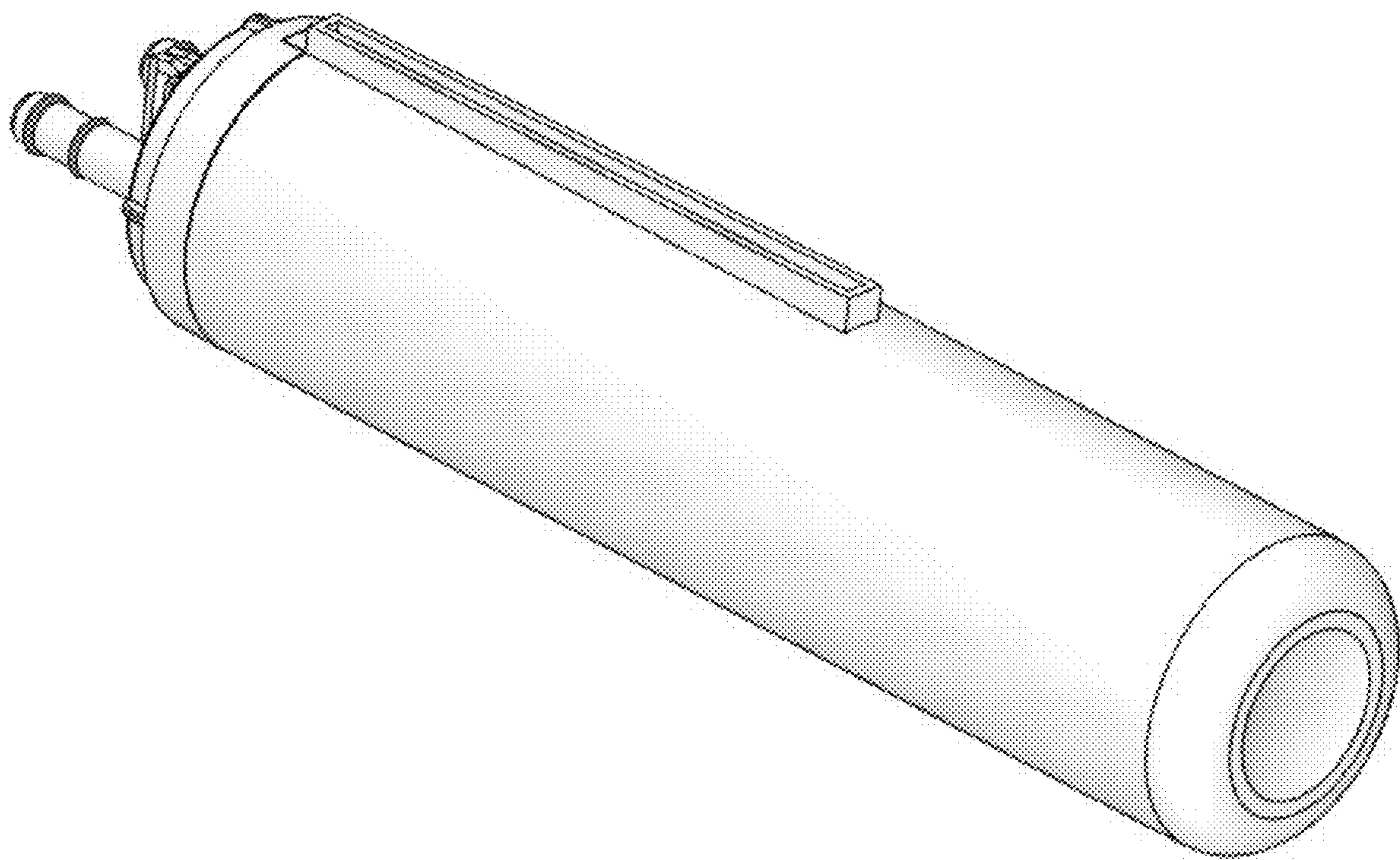


FIG. 1

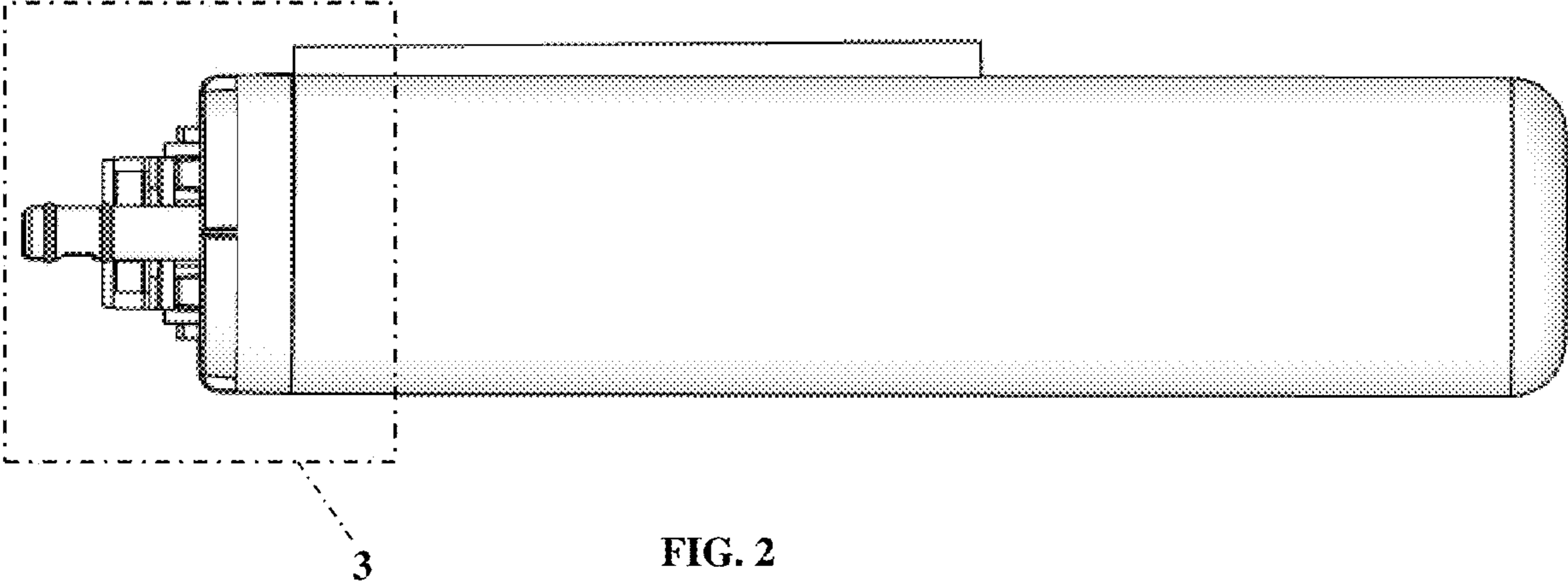


FIG. 2

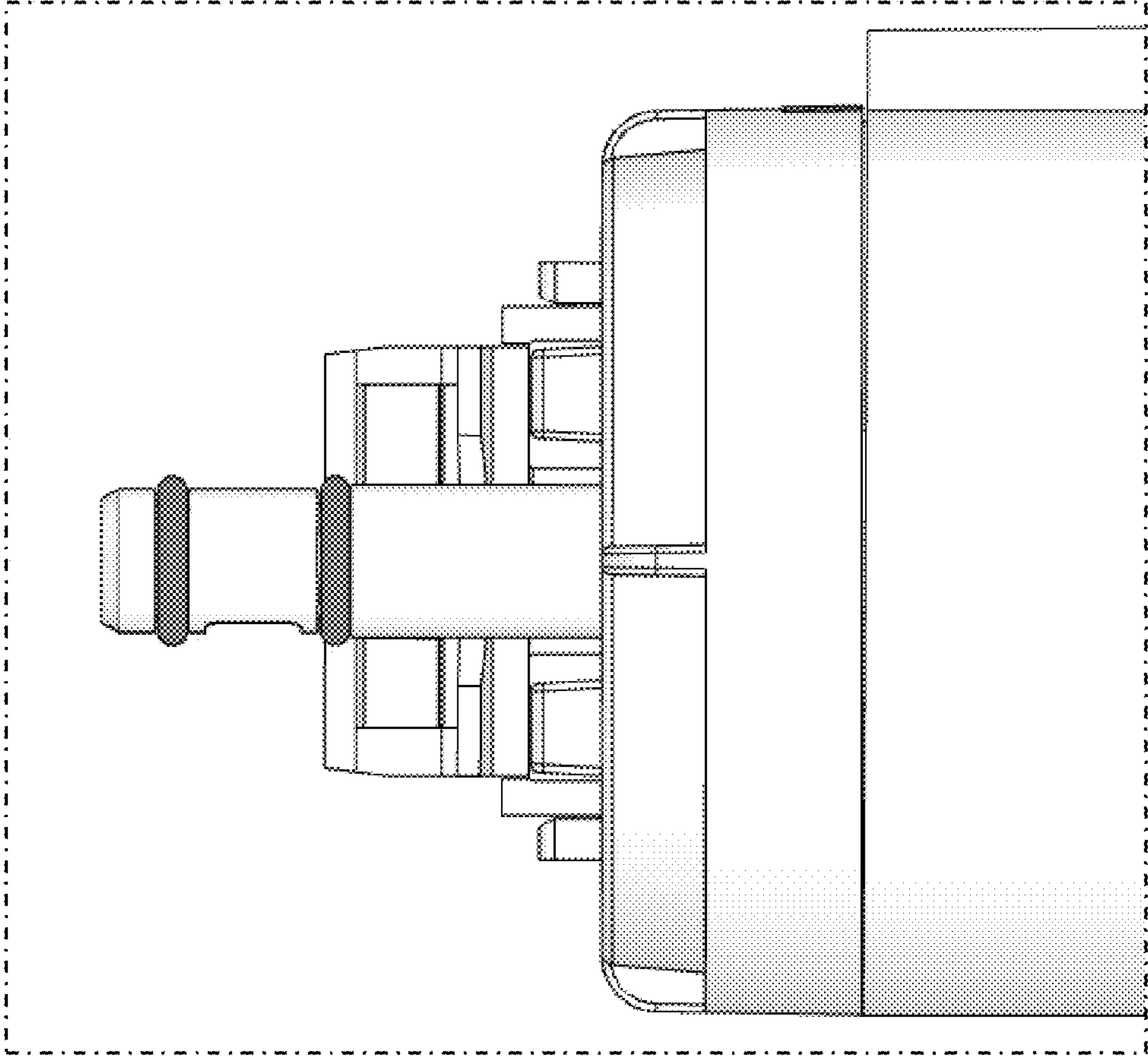
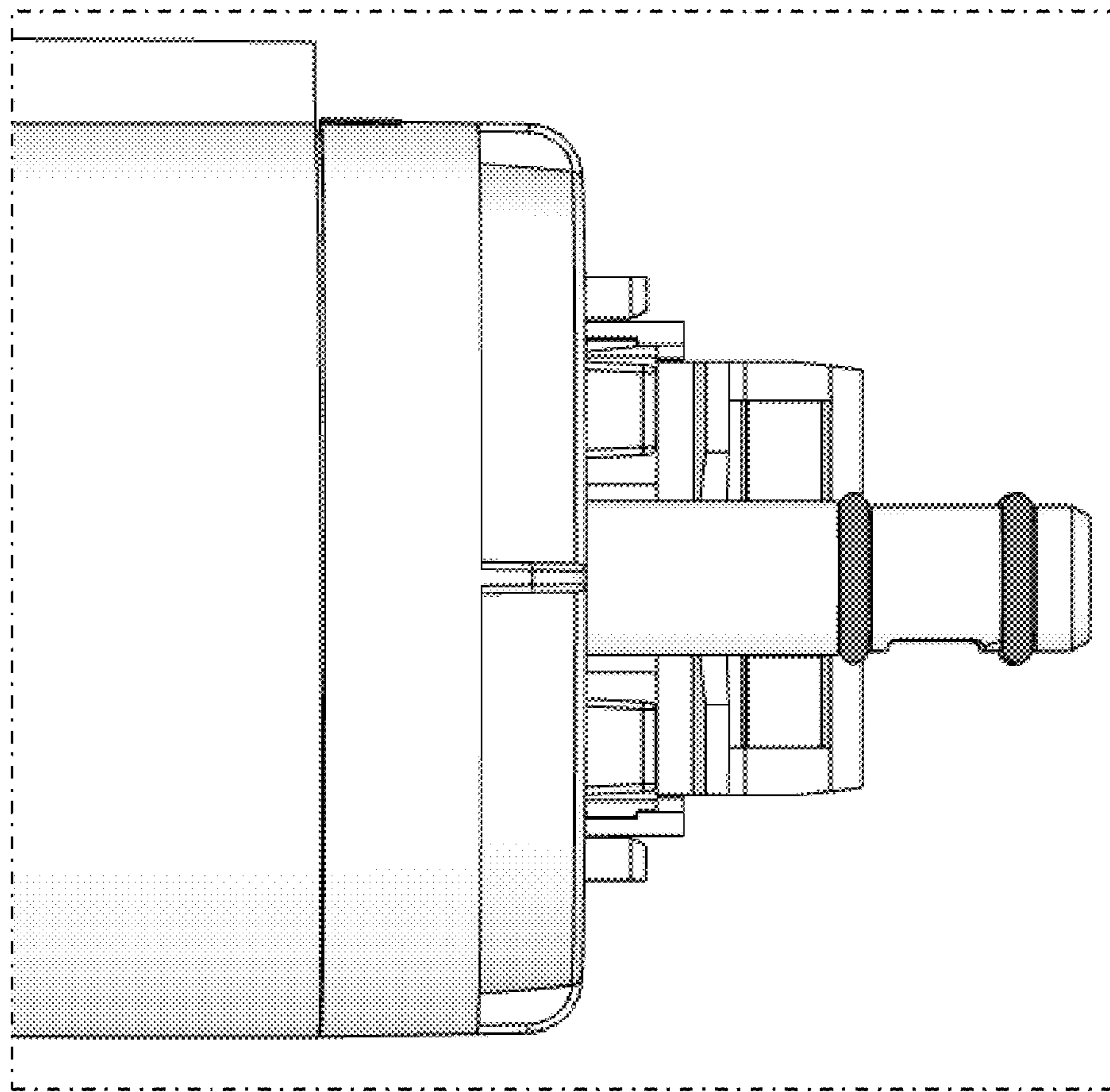
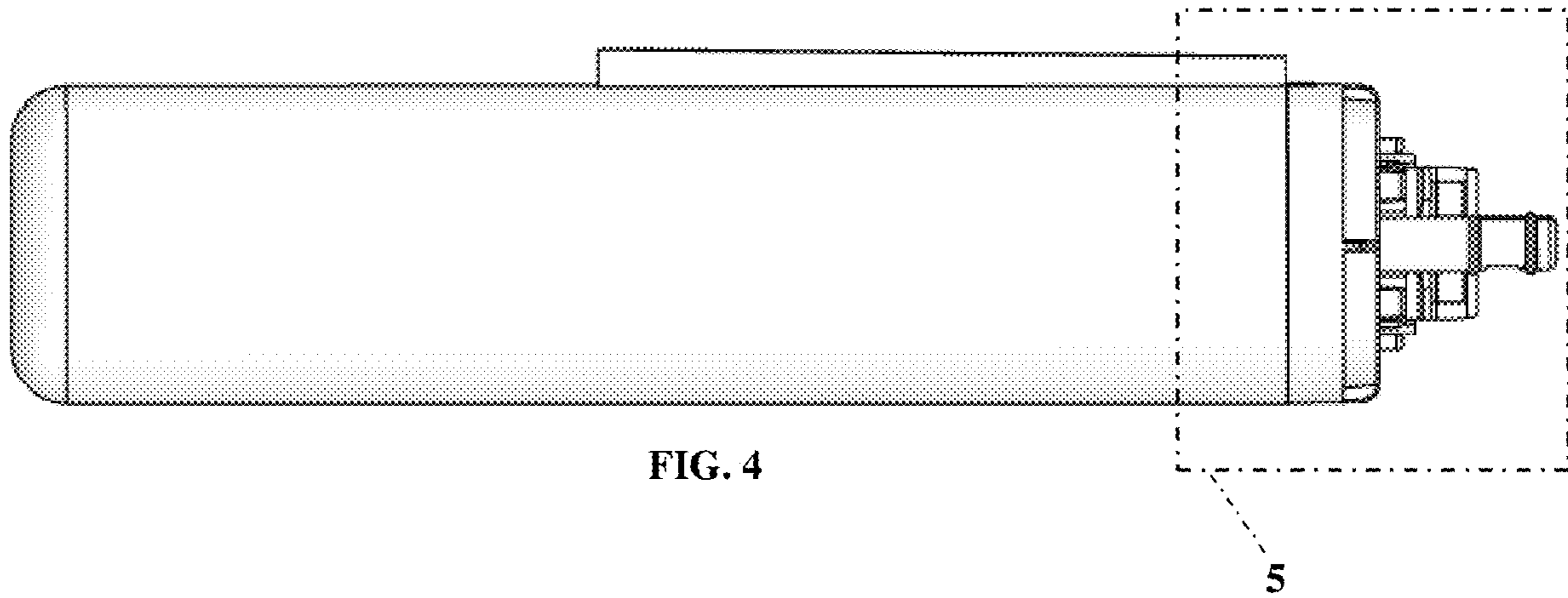


FIG. 3



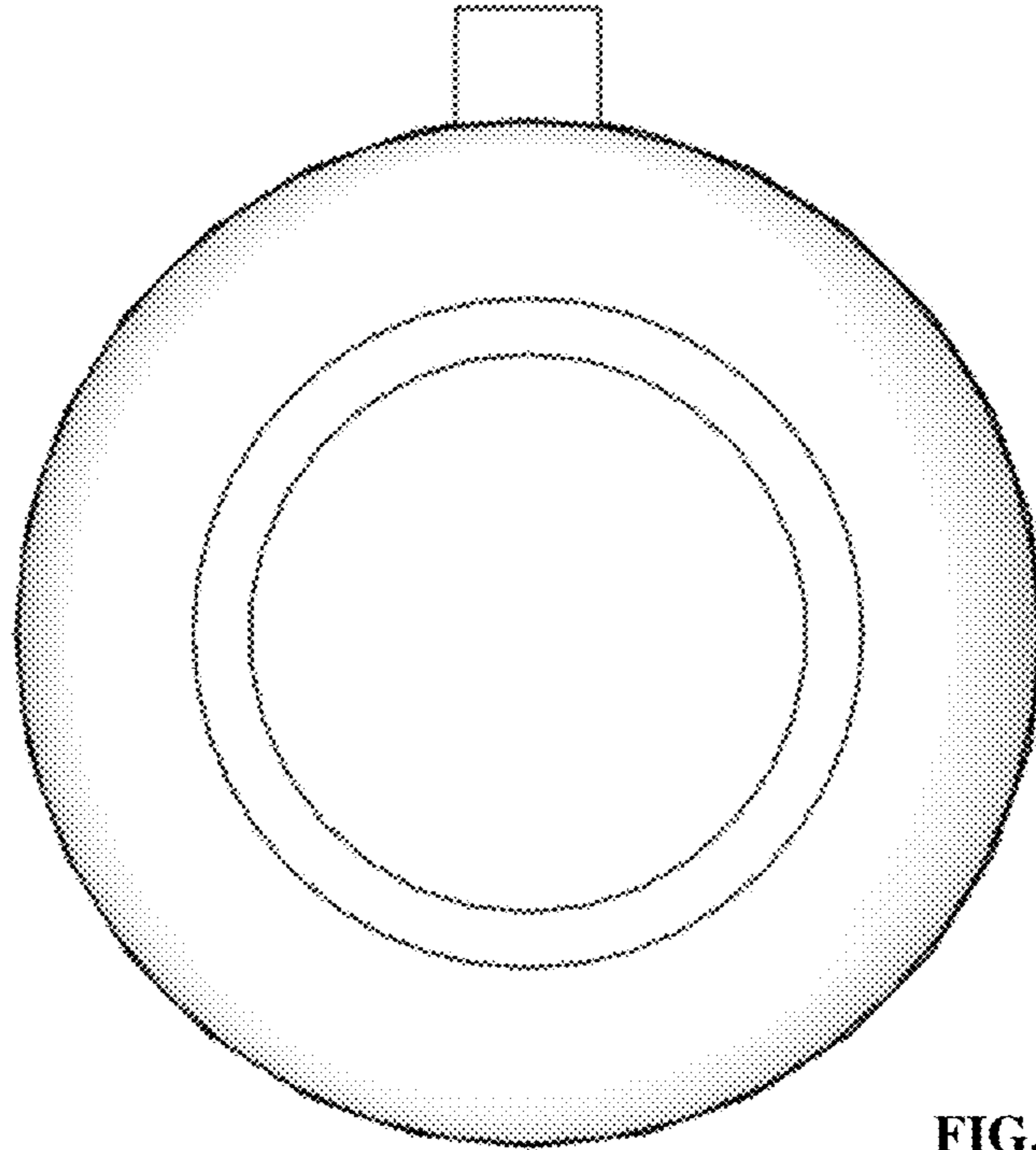


FIG. 6

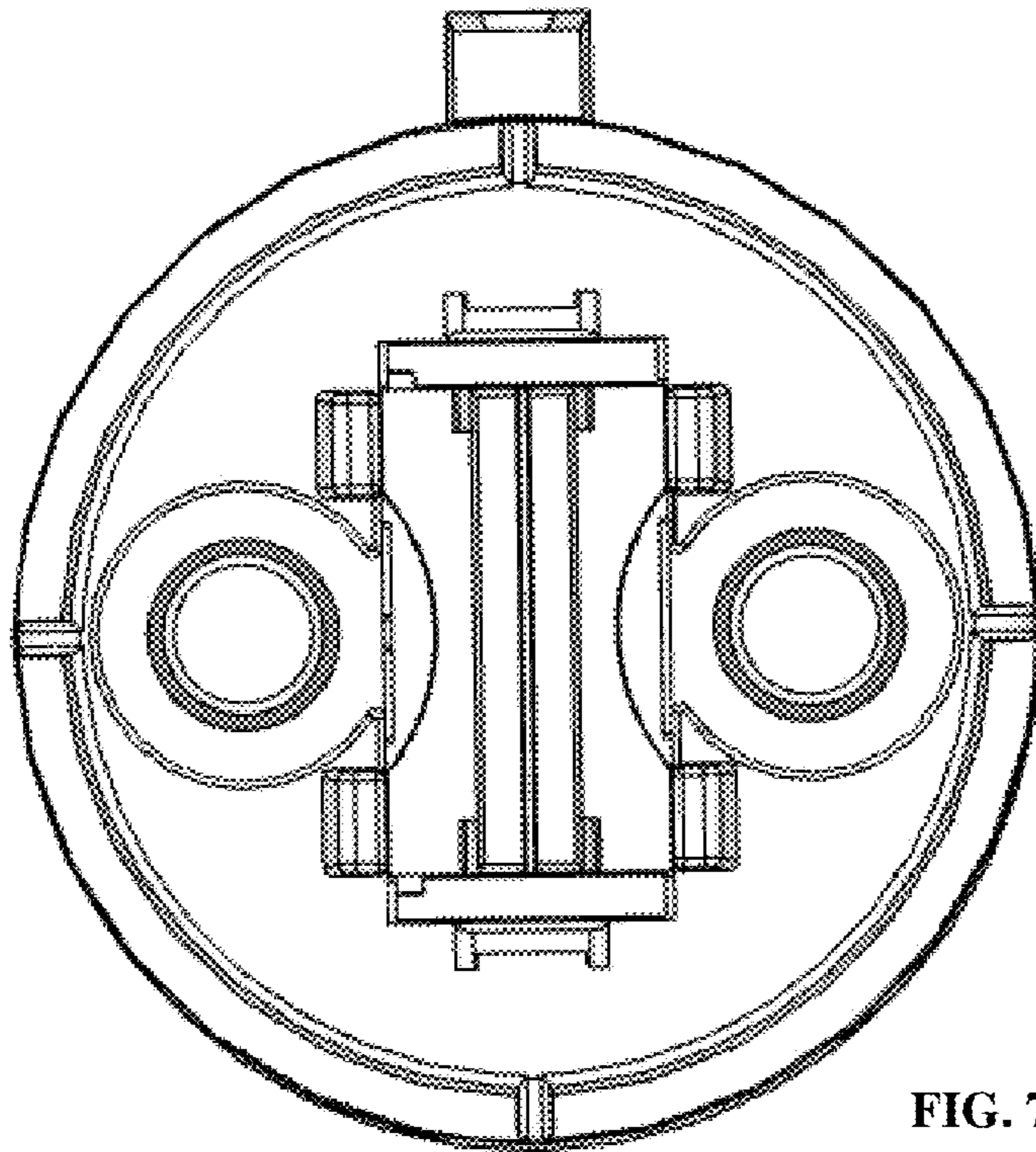
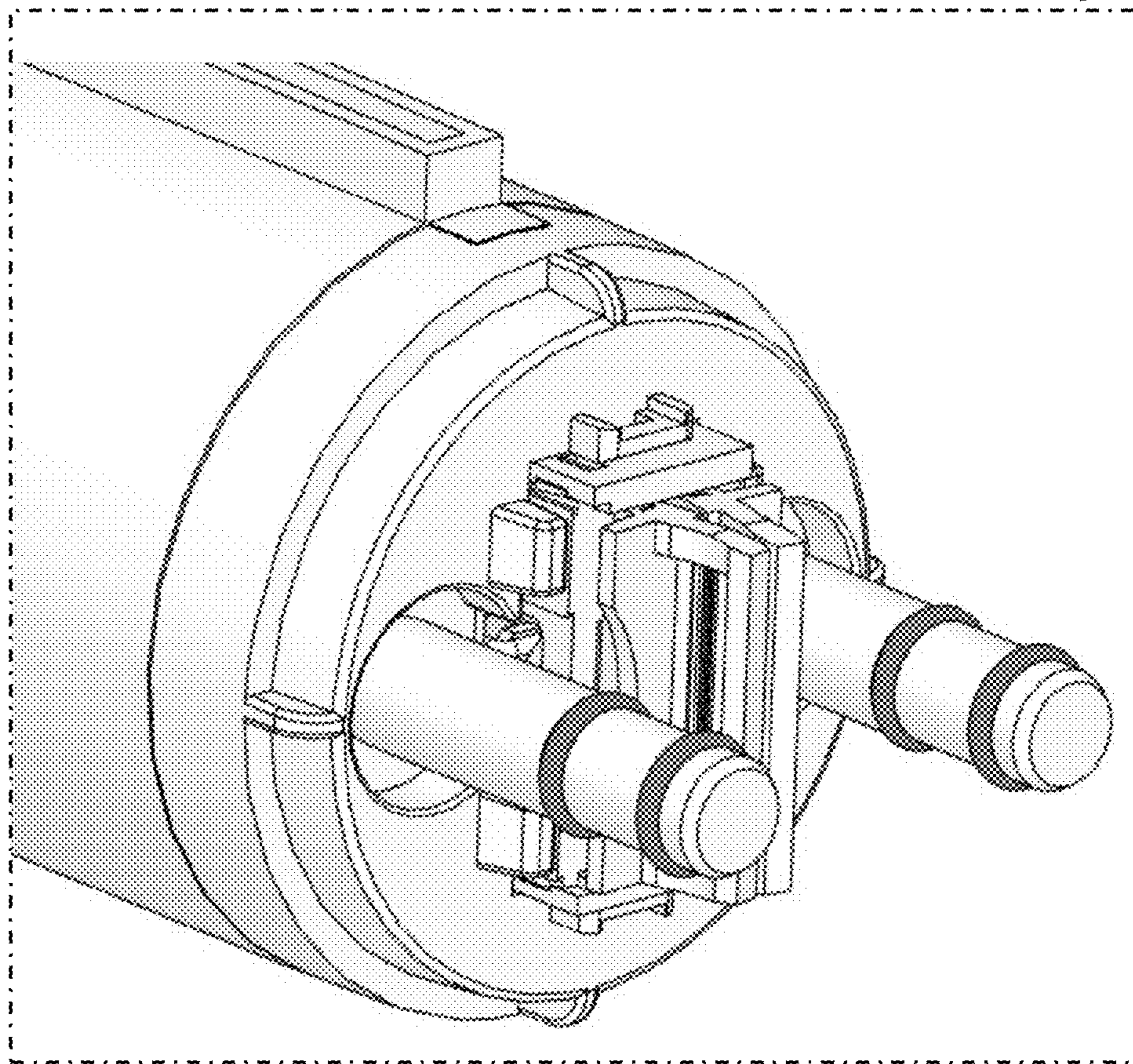
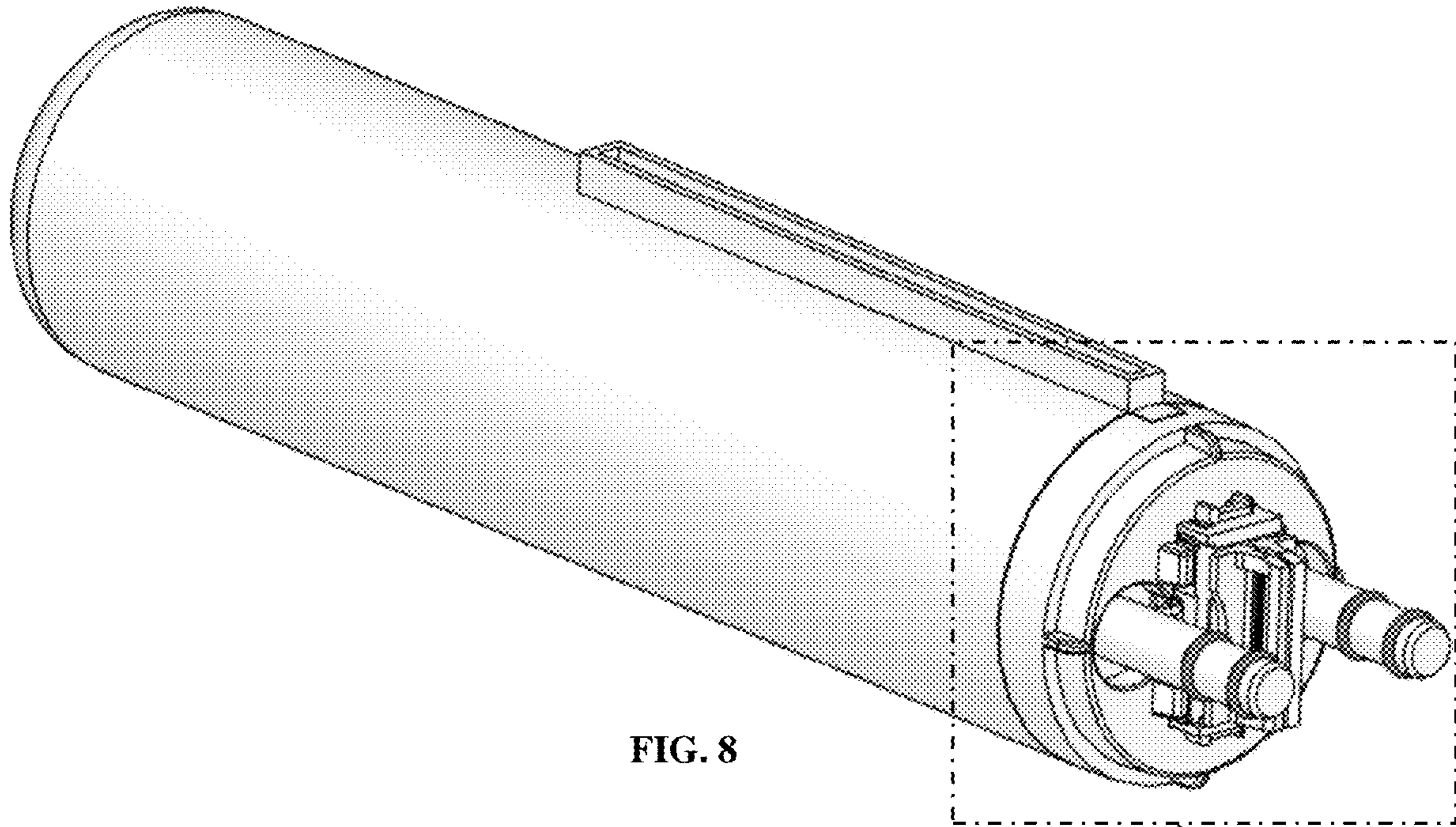


FIG. 7



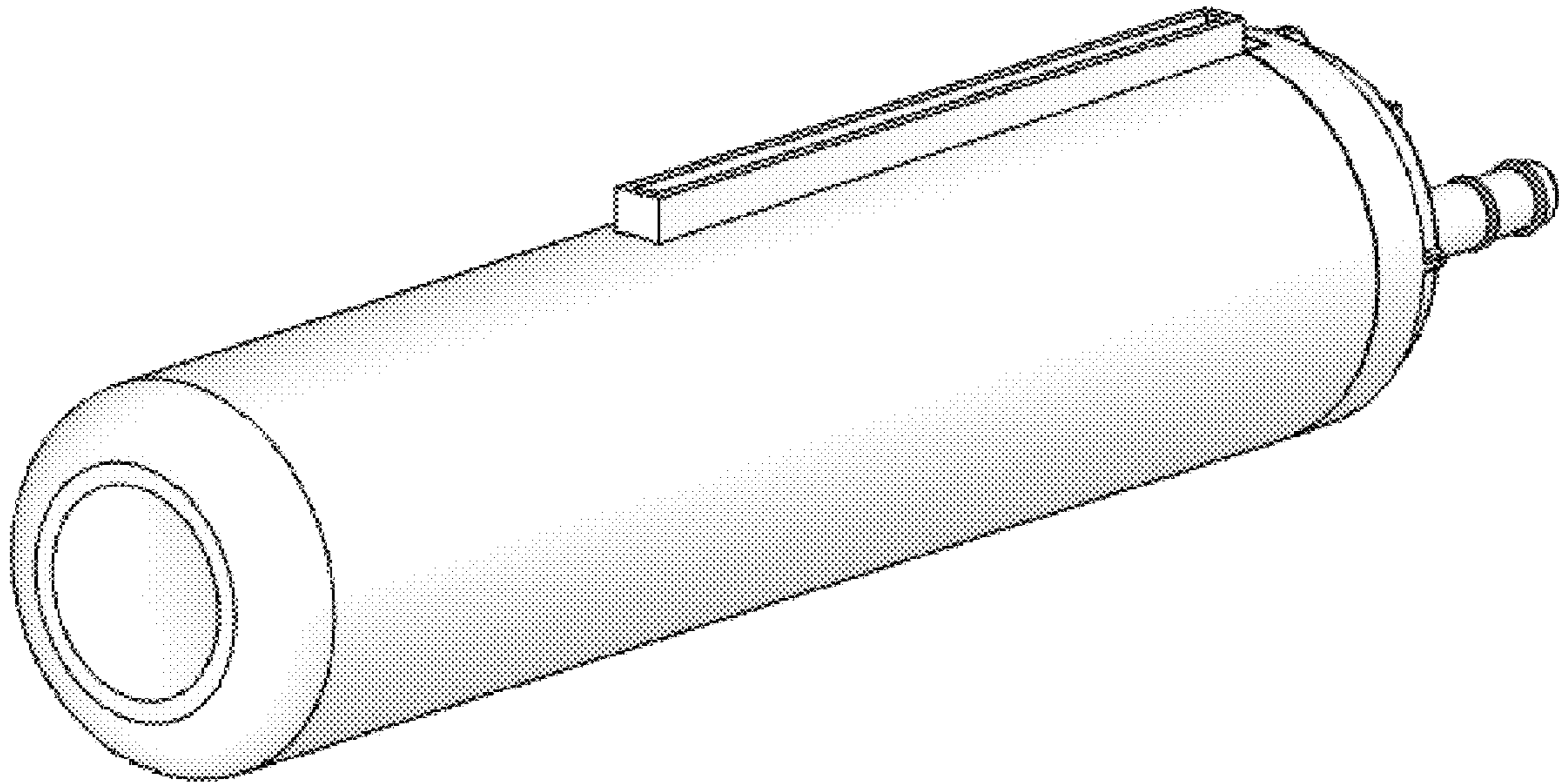


FIG. 10

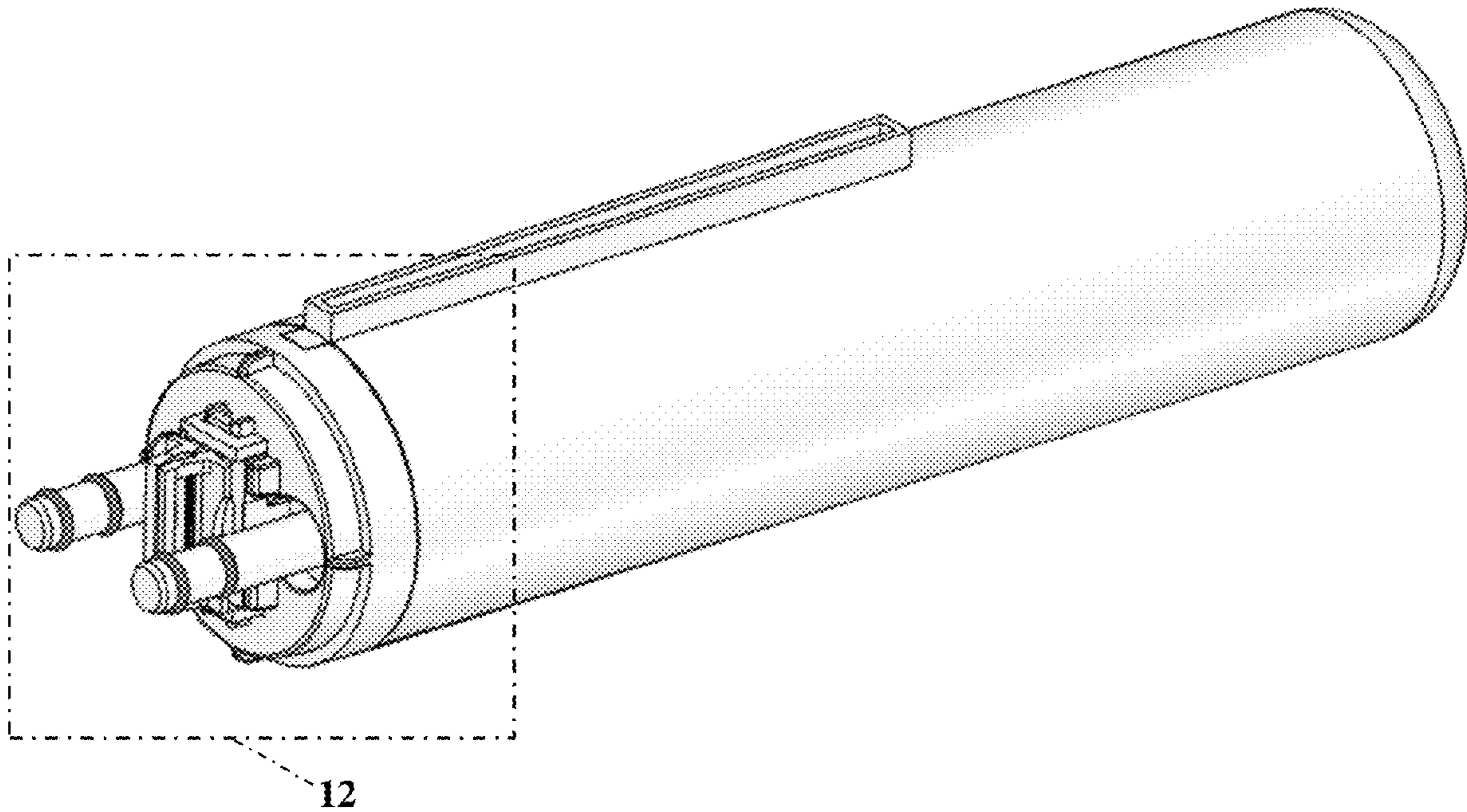


FIG. 11

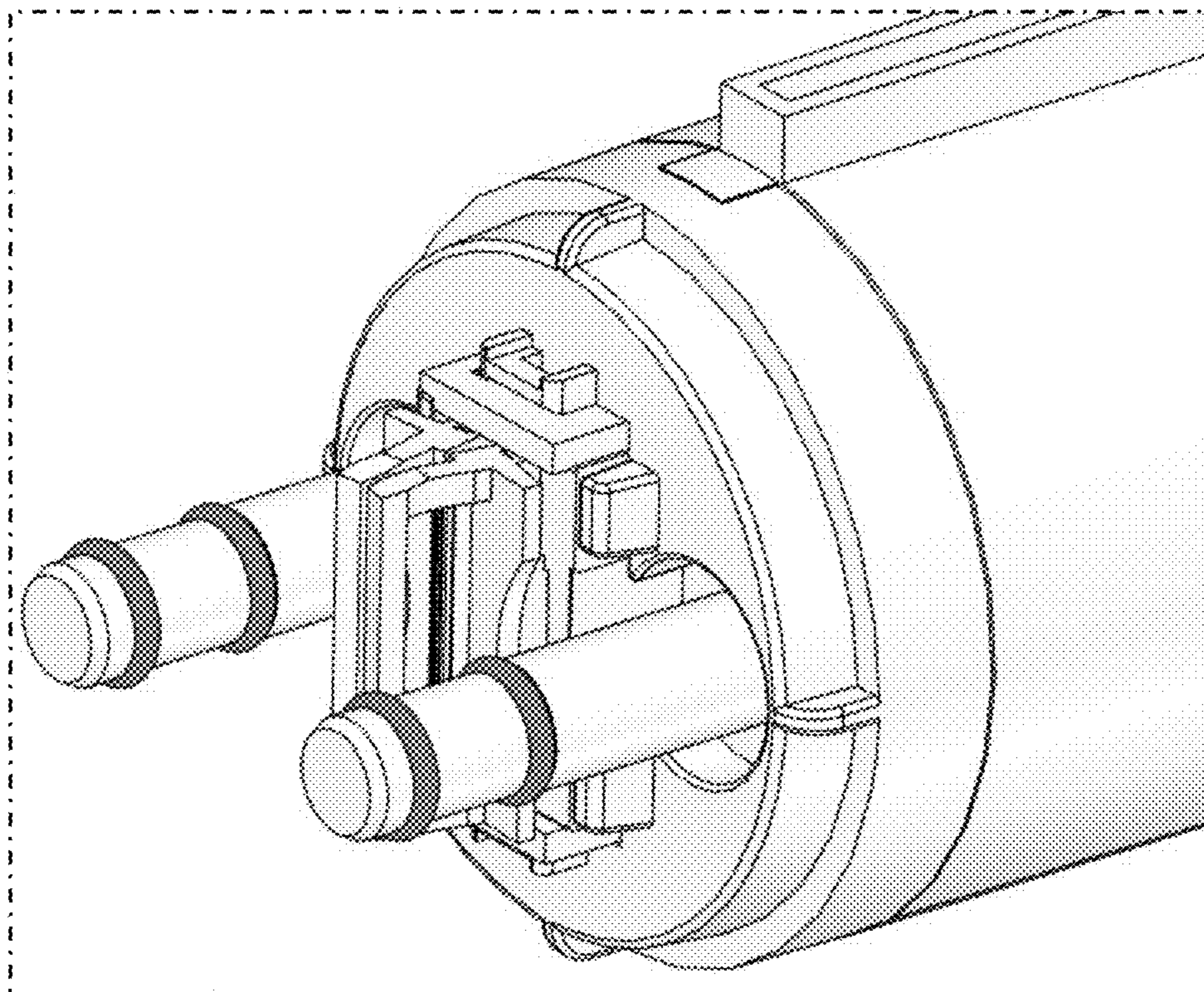


FIG. 12

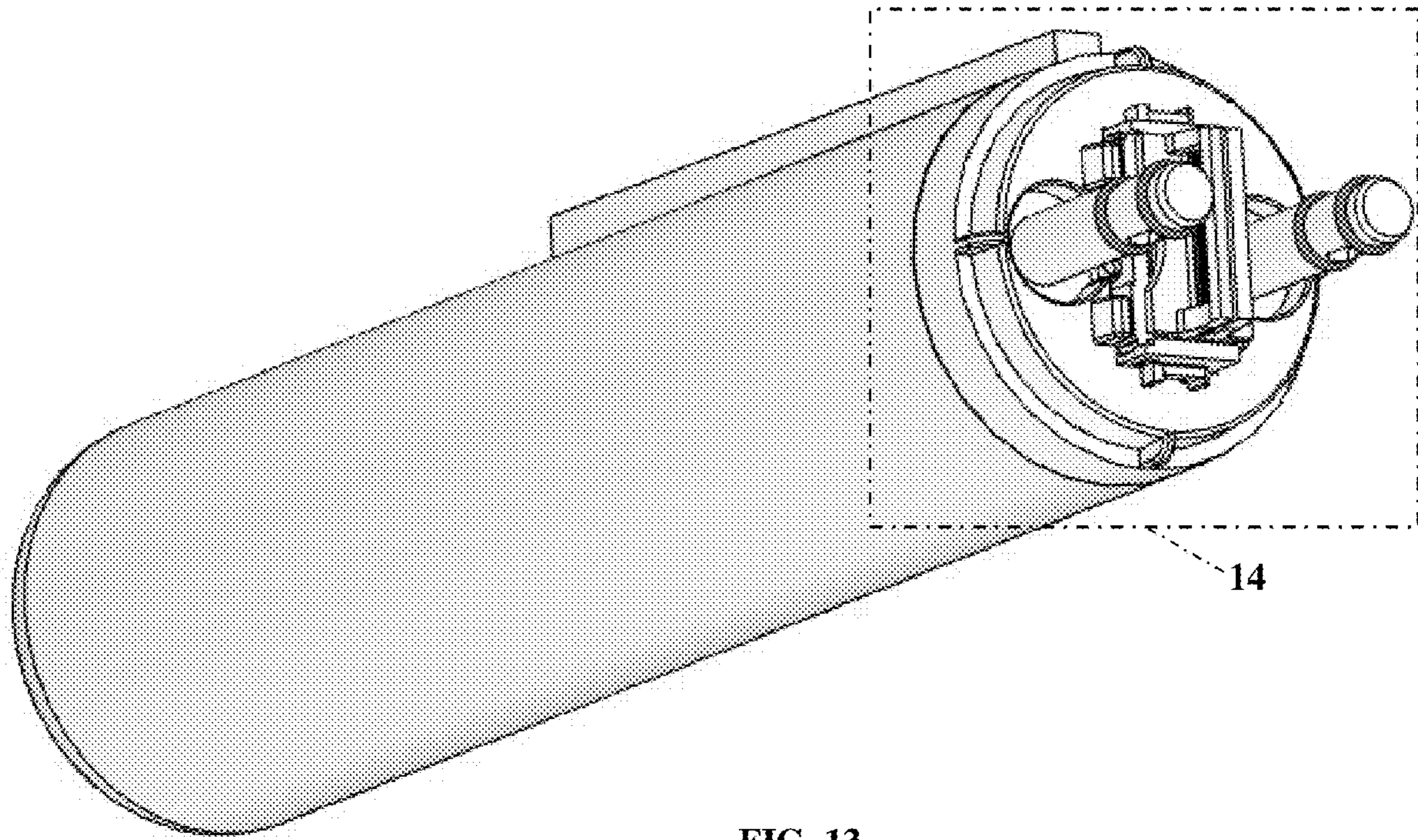


FIG. 13

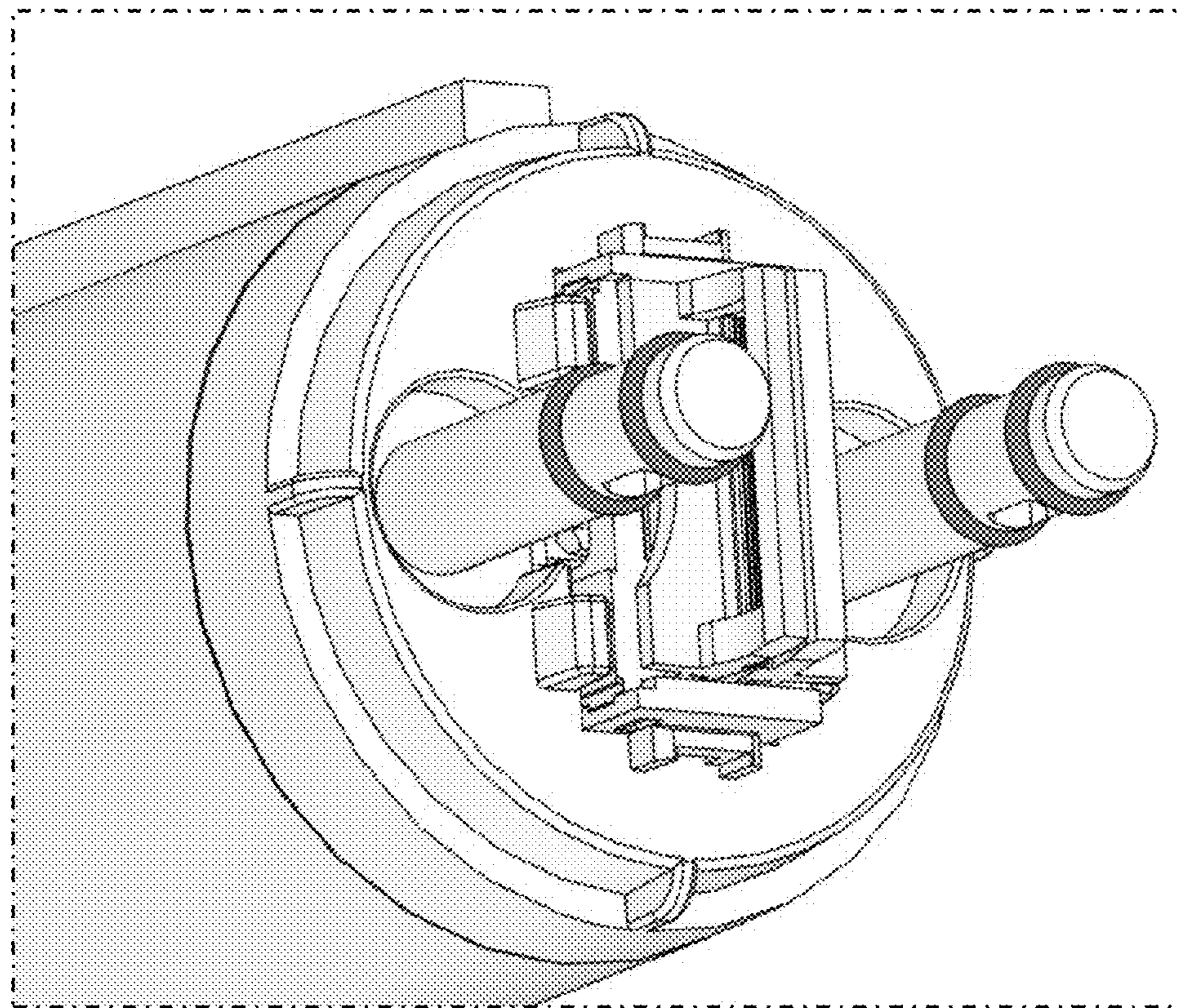


FIG. 14

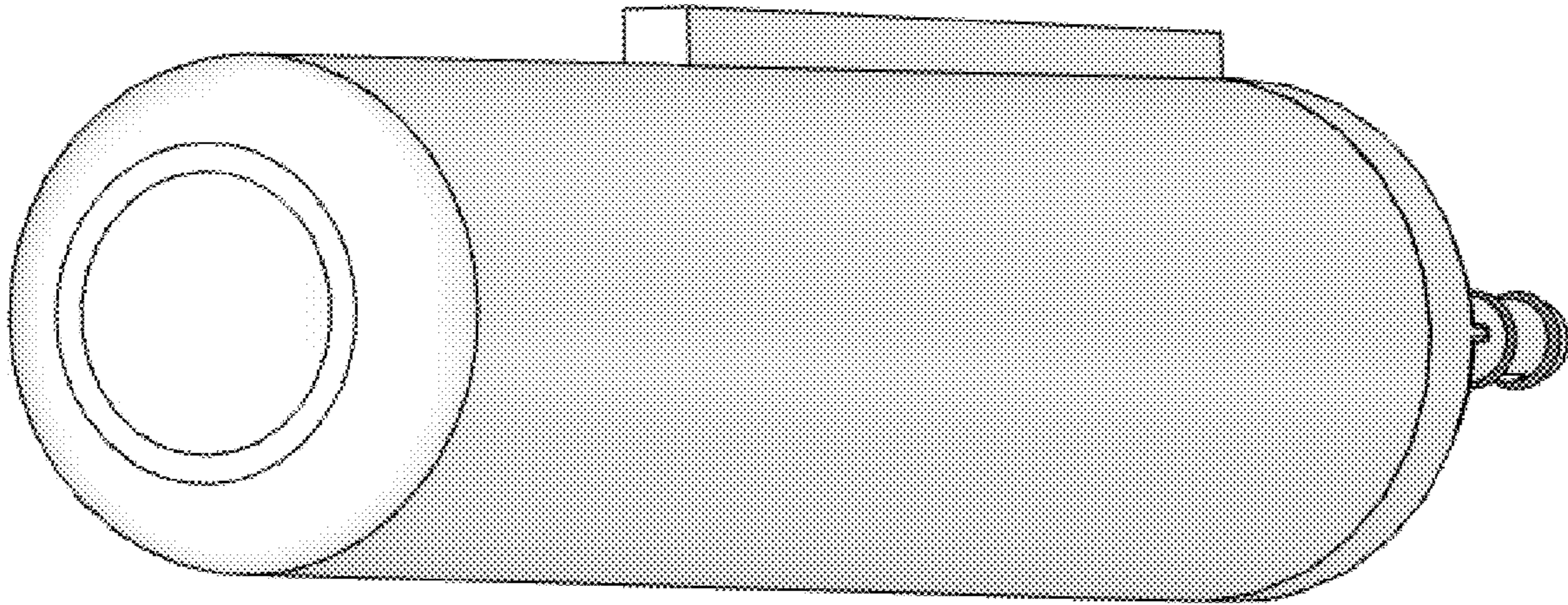


FIG. 15

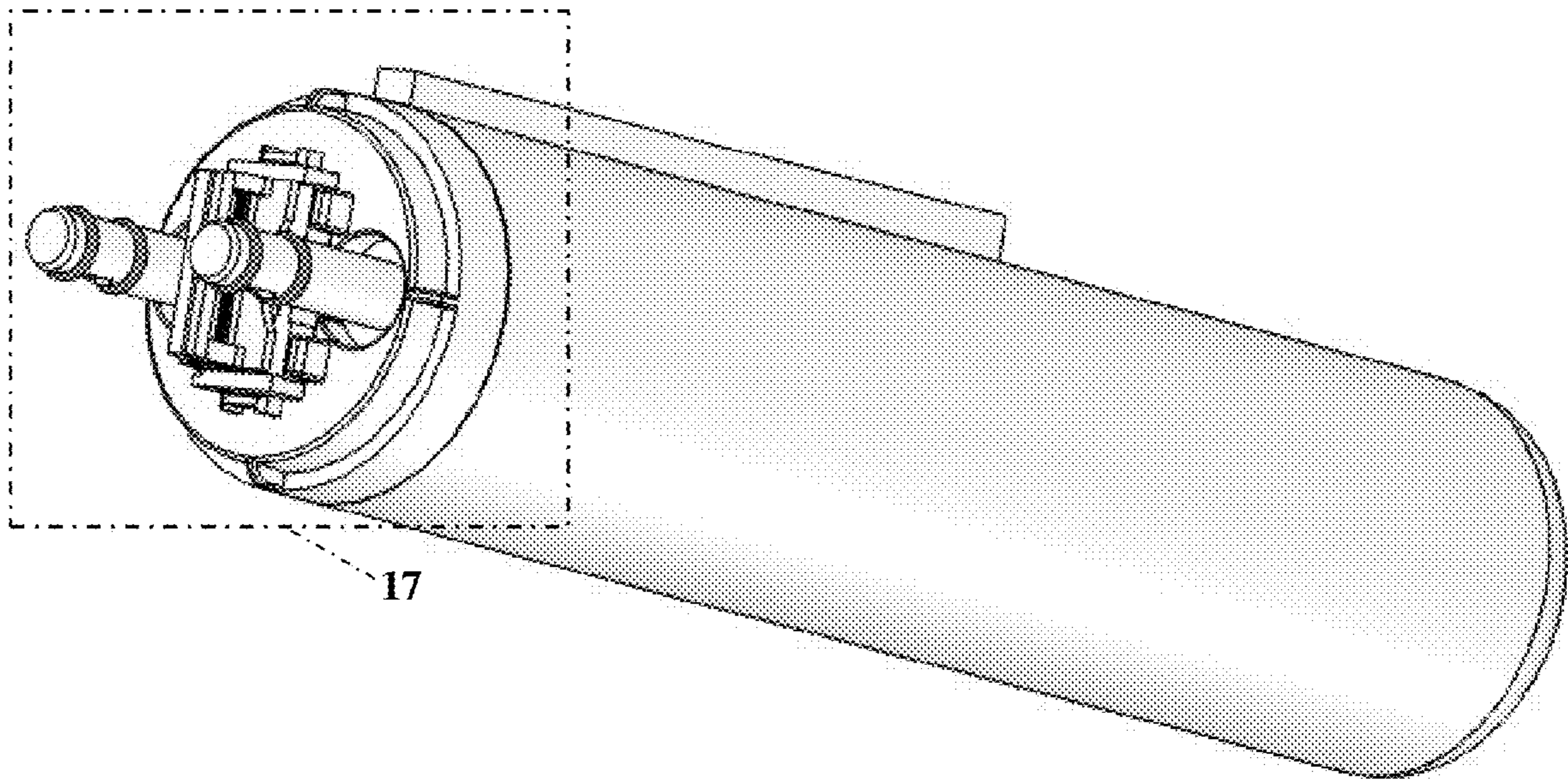


FIG. 16

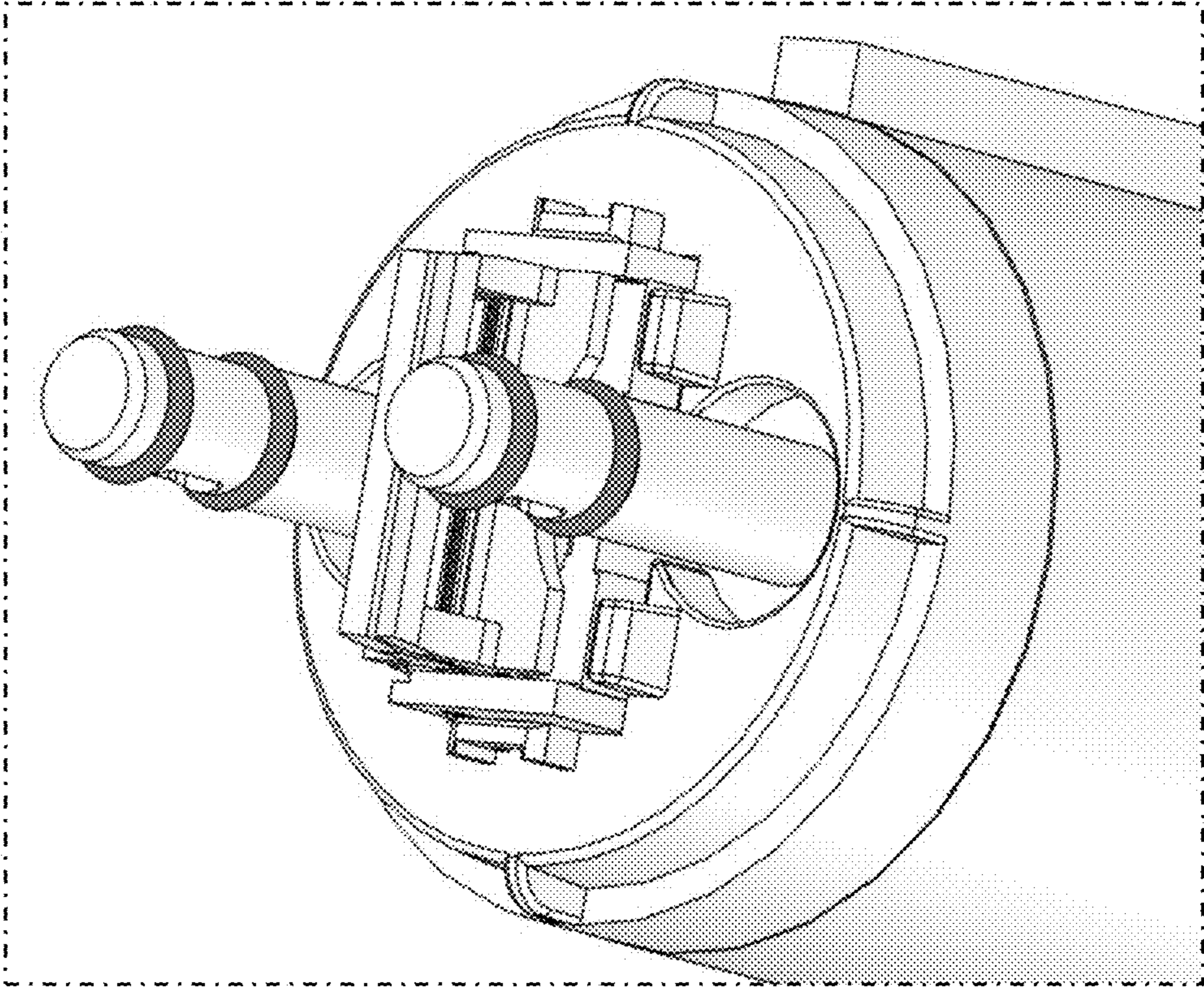


FIG. 17

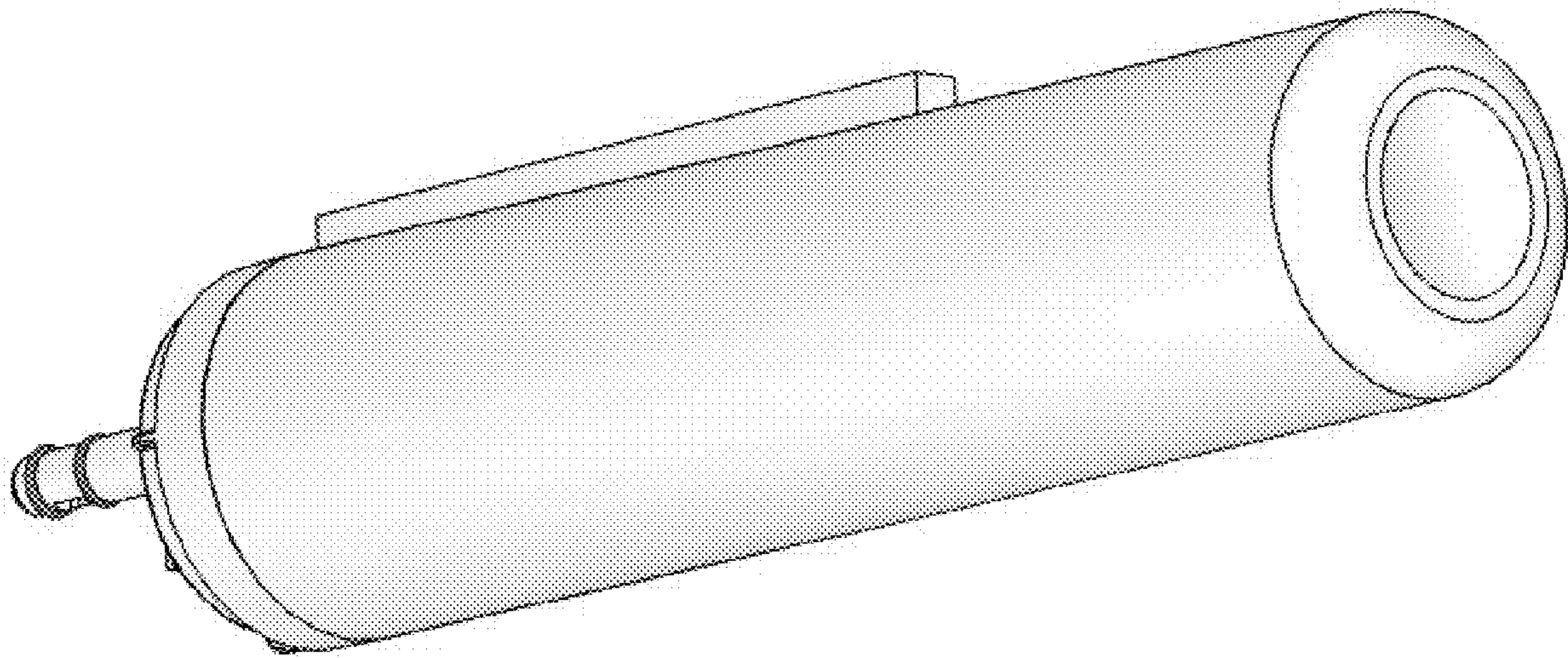


FIG. 18