



US00D939043S

(12) **United States Design Patent**
Shalvi

(10) **Patent No.:** **US D939,043 S**

(45) **Date of Patent:** **** Dec. 21, 2021**

- (54) **ULTRAVIOLET AIR PURIFIER**
- (71) Applicant: **OLYMPIA LIGHTING, INC.**,
Northvale, NJ (US)
- (72) Inventor: **Ram Shalvi**, Closter, NJ (US)
- (73) Assignee: **OLYMPIA LIGHTING, INC.**,
Northvale, NJ (US)

D764,649 S *	8/2016	Ko	D23/364
D774,624 S *	12/2016	Boughton	D23/214
D782,681 S *	3/2017	Cai	D24/162
D845,486 S *	4/2019	Holland	D24/162
D897,493 S *	9/2020	Sugawara	B03C 3/38
				D23/213
D910,885 S *	2/2021	Shalvi	D26/2
D914,133 S *	3/2021	Tayh	B05C 17/0052
				D23/213
2006/0005703 A1 *	1/2006	Wang	B03C 3/38
				95/58

(**) Term: **15 Years**

* cited by examiner

(21) Appl. No.: **29/768,978**

Primary Examiner — Karen S Acker

(22) Filed: **Feb. 2, 2021**

Assistant Examiner — Jonathan E Fiencke

(51) **LOC (13) Cl.** **23-01**

(74) *Attorney, Agent, or Firm* — Law Offices of Albert
Wai-Kit Chan, PLLC; Robert D. Katz, Esq.

(52) **U.S. Cl.**
USPC **D23/207**

(58) **Field of Classification Search**
USPC D23/202, 207, 209, 213–214, 222, 225,
D23/255–256, 272–273, 322, 325, 333,
D23/336, 351, 355, 358, 364, 365;
D24/162
CPC .. A61L 9/16; A61L 9/22; B01D 47/00; B01D
47/027; F24F 3/16; F24F 13/22
See application file for complete search history.

(57) **CLAIM**

The ornamental design for an ultraviolet air purifier, as shown and described.

DESCRIPTION

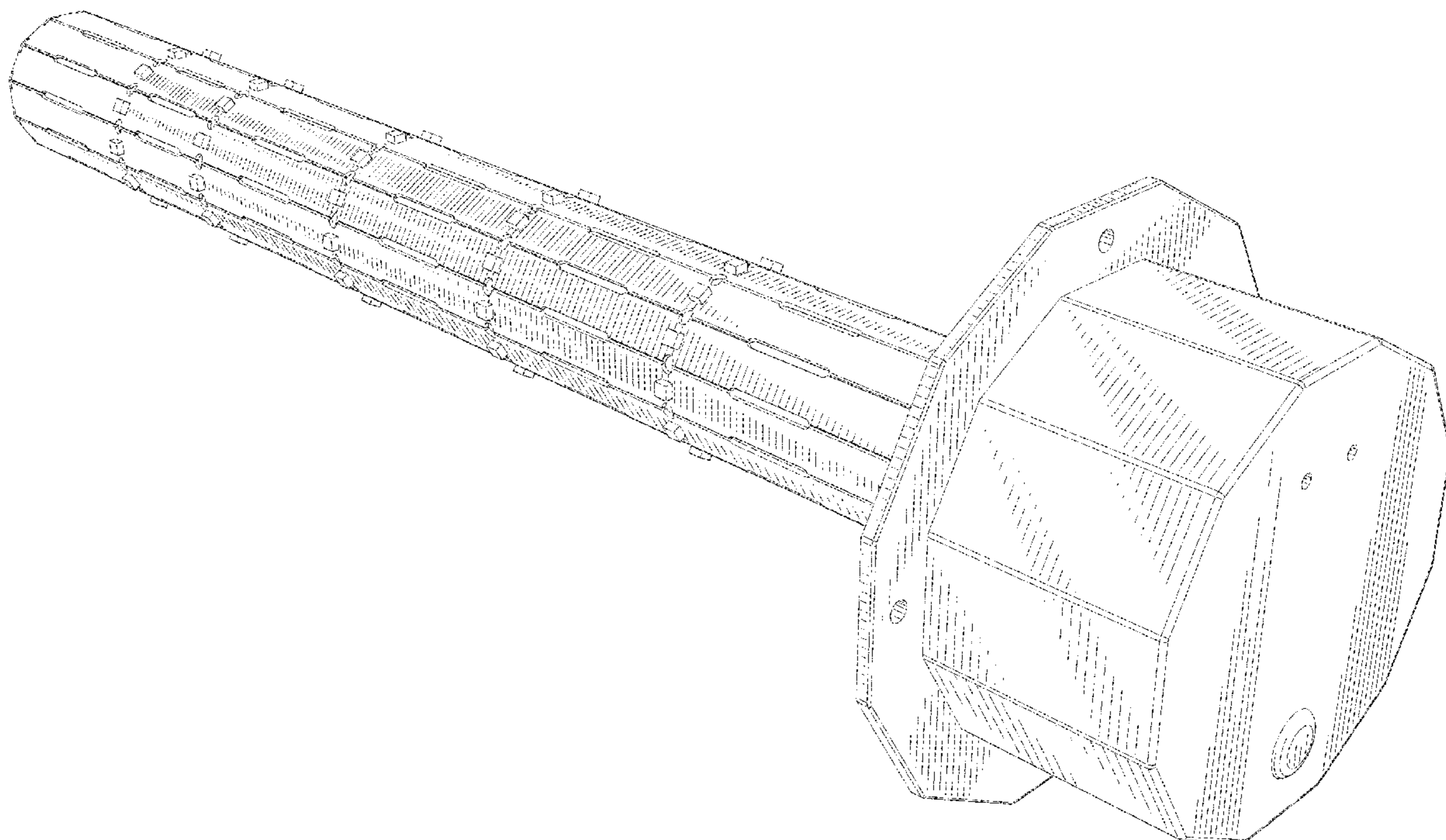
FIG. 1 is a front perspective view of an ultraviolet air purifier, showing my new design;
FIG. 2 is a rear perspective view, thereof;
FIG. 3 is a front view, thereof;
FIG. 4 is a rear view, thereof;
FIG. 5 is a view of the left, thereof;
FIG. 6 is a view of the right side, thereof;
FIG. 7 is a top view, thereof; and,
FIG. 8 is a bottom view, thereof.
The dashed lines and all areas within them depict portions of the ultraviolet air purifier that form no part of the disclosed and claimed design herein.

(56) **References Cited**

U.S. PATENT DOCUMENTS

D402,023 S *	12/1998	Thallemer	B05C 17/0052
				D23/365
D507,818 S *	7/2005	Wu	D23/214
D566,230 S *	4/2008	Causby	D23/214
D735,311 S *	7/2015	Horiguchi	D23/365
D735,313 S *	7/2015	Horiguchi	D23/365

1 Claim, 7 Drawing Sheets



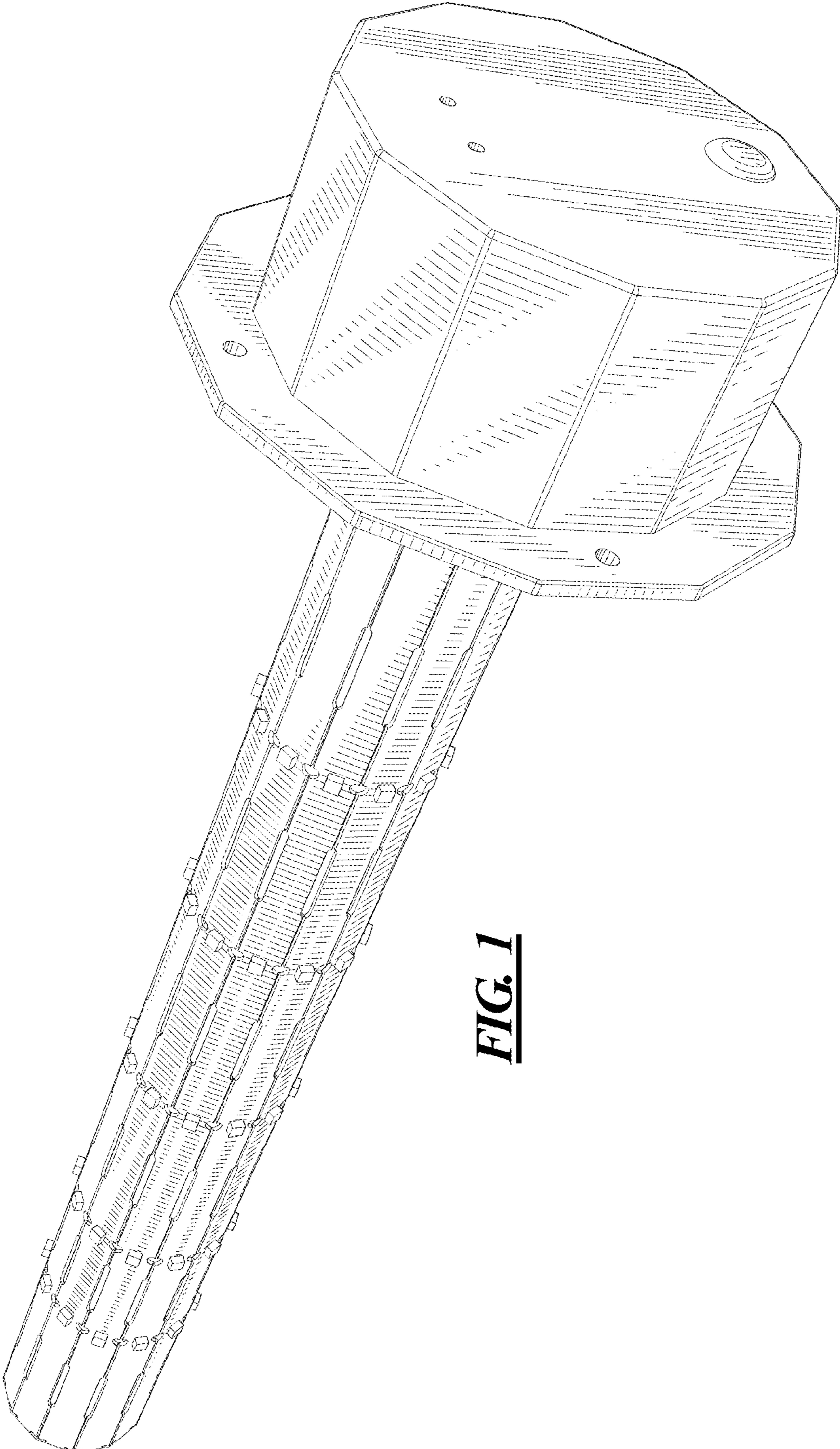


FIG. 1

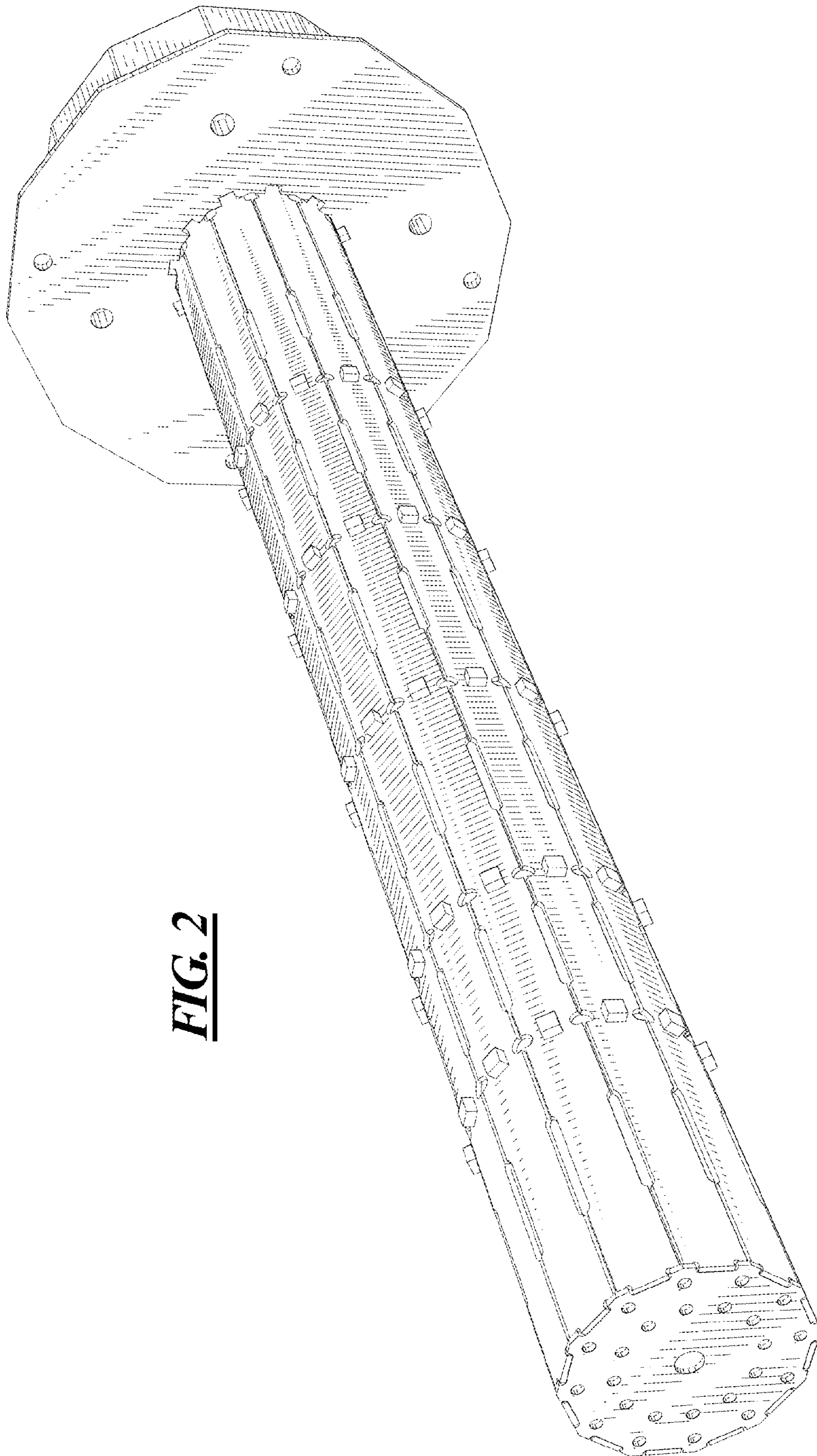


FIG. 2

FIG. 4

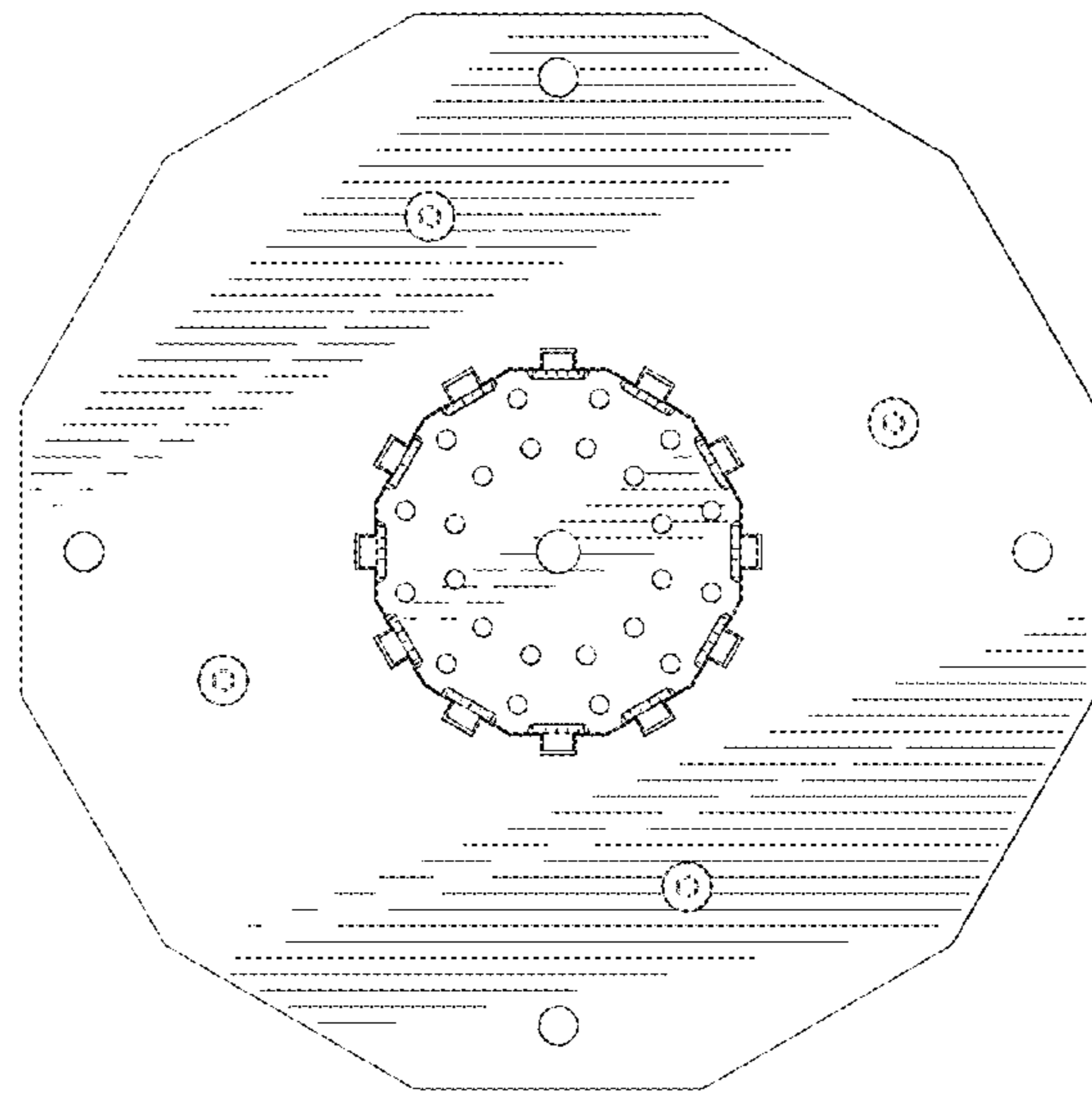
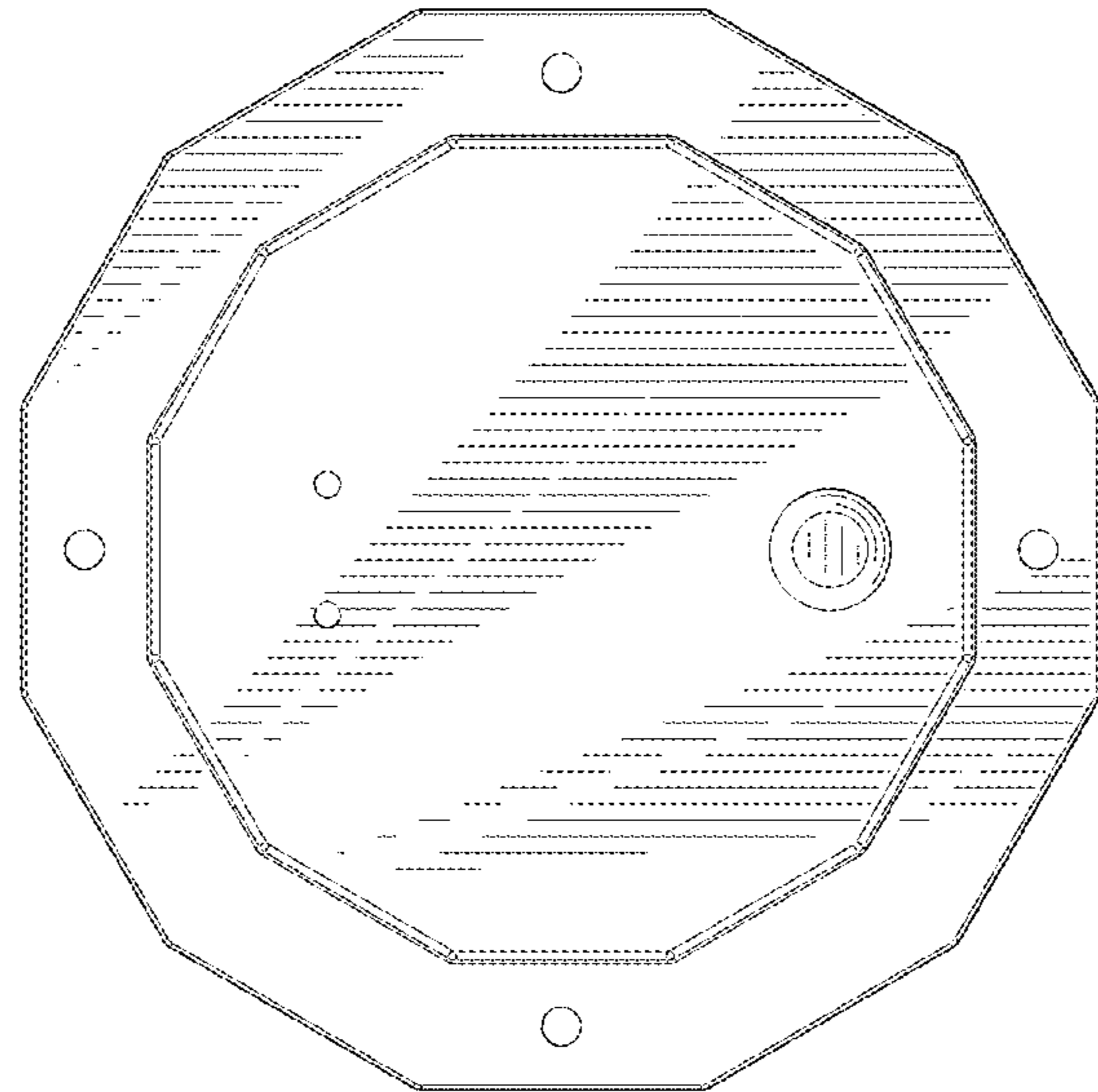


FIG. 3



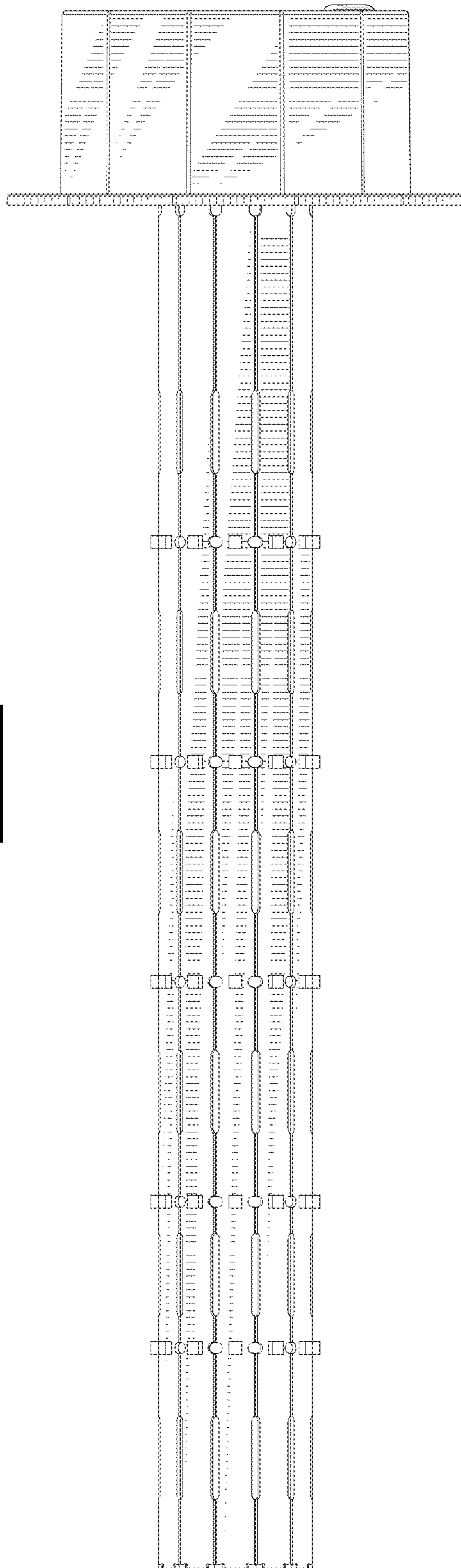


FIG. 5

FIG. 6

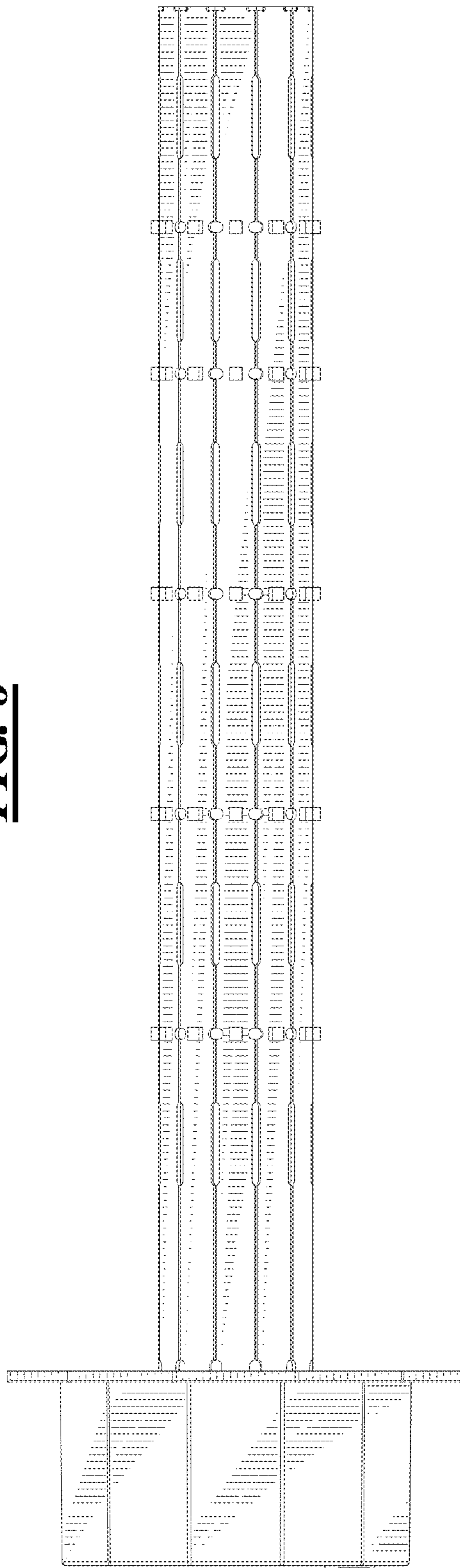
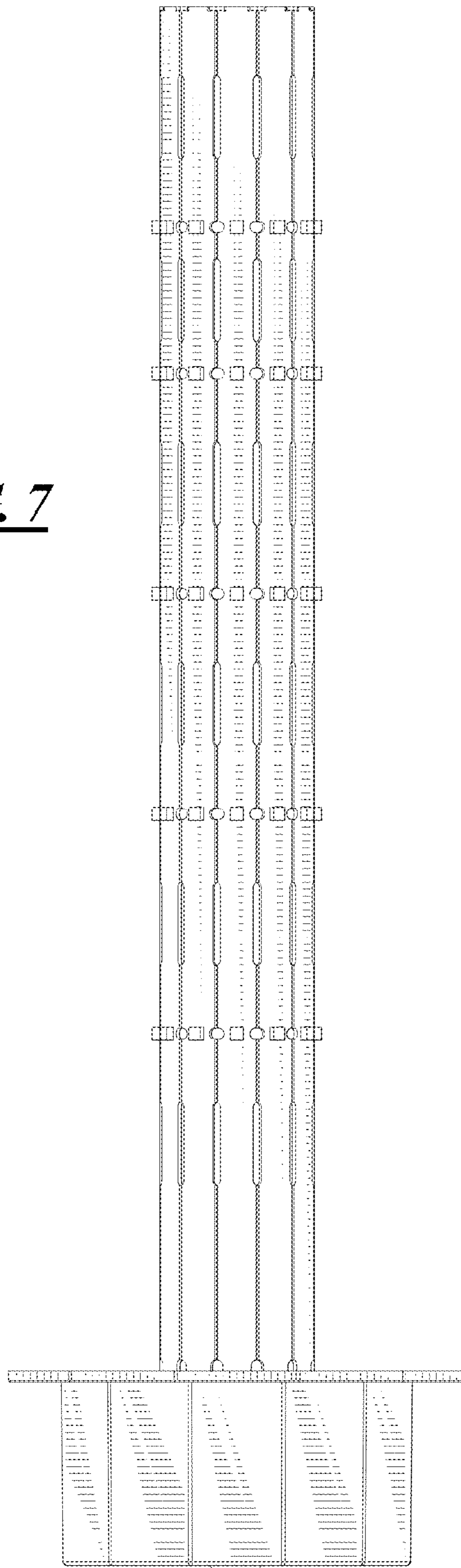


FIG. 7



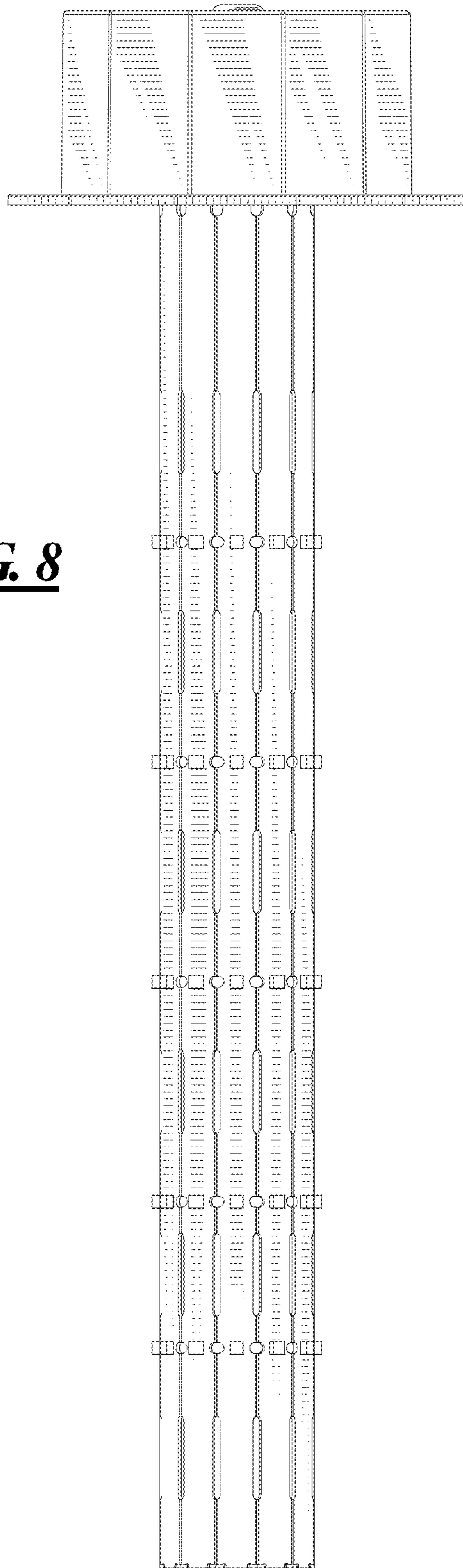


FIG. 8