

US00D939042S

(12) **United States Design Patent**
Guan

(10) **Patent No.:** **US D939,042 S**

(45) **Date of Patent:** **** Dec. 21, 2021**

(54) **FOUNTAIN**

(71) Applicant: **SHENZHEN OTTER PUMP**
INDUSTRY CO., LTD, Shenzhen (CN)

(72) Inventor: **Tianyan Guan**, Shenzhen (CN)

(73) Assignee: **SHENZHEN OTTER PUMP**
INDUSTRY CO., LTD, Shenzhen (CN)

(**) Term: **15 Years**

(21) Appl. No.: **29/760,335**

(22) Filed: **Dec. 1, 2020**

(30) **Foreign Application Priority Data**

Nov. 11, 2020 (CN) 202030680626.8

(51) **LOC (13) Cl.** **23-01**

(52) **U.S. Cl.**
USPC **D23/201**

(58) **Field of Classification Search**

USPC D23/200-201, 213-215; D13/102, 118,
D13/184, 199

CPC .. A01K 7/00; A01K 7/02; B05B 17/08; F21S
8/00; F24S 25/10; Y02E 10/52

See application file for complete search history.

(56) **References Cited**

U.S. PATENT DOCUMENTS

D576,249 S * 9/2008 Camacho D23/201
D631,128 S * 1/2011 Laporta D23/201
D828,901 S * 9/2018 Li D23/201
D829,303 S * 9/2018 Li D23/201

D836,751 S * 12/2018 Li D23/201
D841,117 S 2/2019 Tappeiner
D841,768 S 2/2019 Tappeiner
D865,660 S * 11/2019 Jing D13/102
D877,855 S * 3/2020 Wei D23/201
D899,558 S * 10/2020 Wei B65D 19/0002
D23/201
2011/0240806 A1 * 10/2011 Crager B65D 19/0002
248/146

* cited by examiner

Primary Examiner — Karen S Acker

Assistant Examiner — Jonathan E Fiencke

(57) **CLAIM**

The ornamental design for a fountain, as shown and described.

DESCRIPTION

FIG. 1 is a perspective view of a fountain showing my new design;

FIG. 2 is another perspective view thereof;

FIG. 3 is a front elevational view thereof;

FIG. 4 is a rear elevational view thereof;

FIG. 5 is a left side elevational view thereof;

FIG. 6 is a right side elevational view thereof;

FIG. 7 is a top plan view thereof;

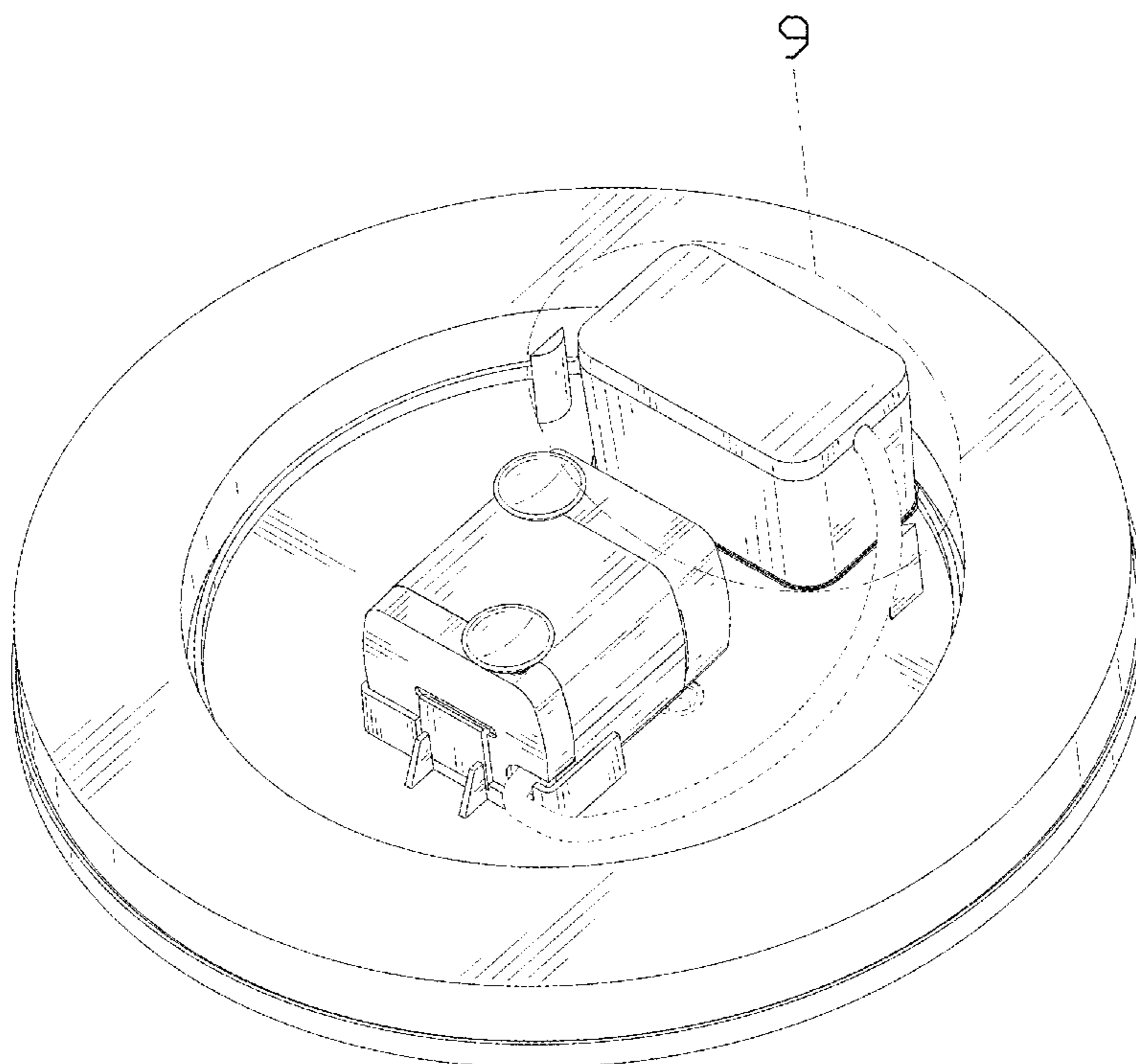
FIG. 8 is a bottom plan view thereof;

FIG. 9 is an enlarged view of area 9 circumscribed within FIG. 1; and,

FIG. 10 is an enlarged view of area 10 circumscribed within FIG. 2.

The broken lines in the drawings depict portions of the fountain that form no part of the claimed design.

1 Claim, 10 Drawing Sheets



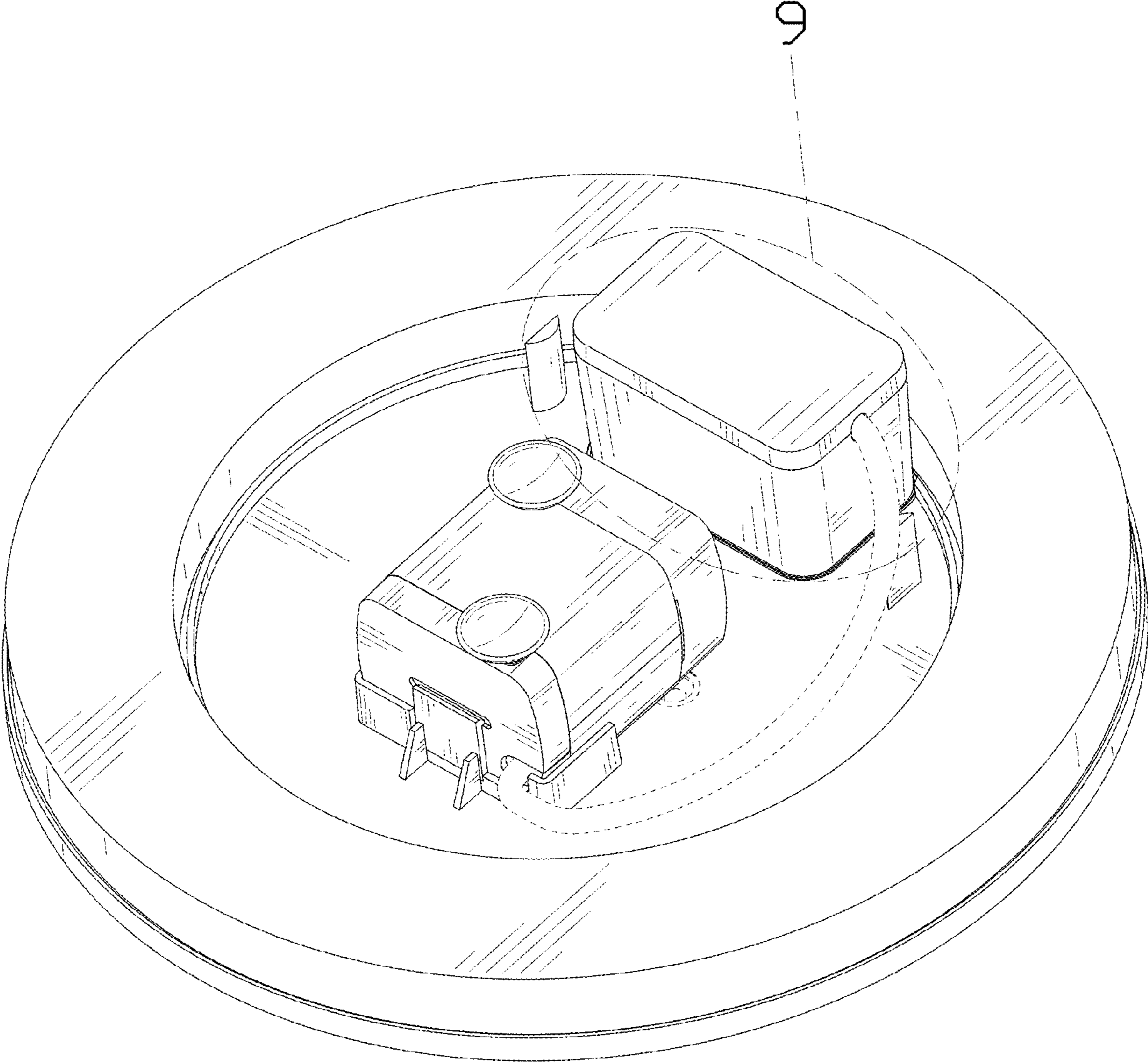


FIG. 1

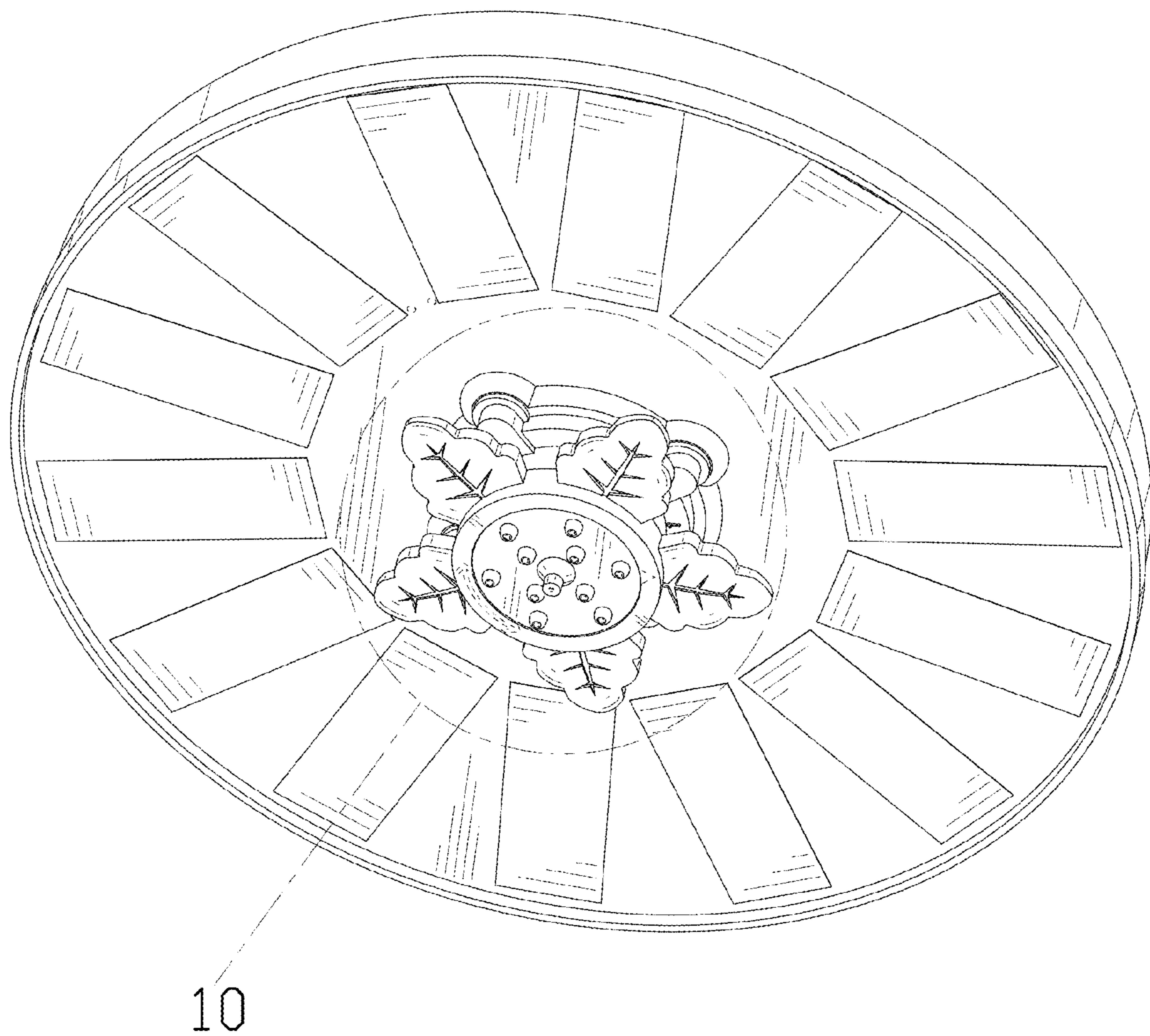


FIG. 2

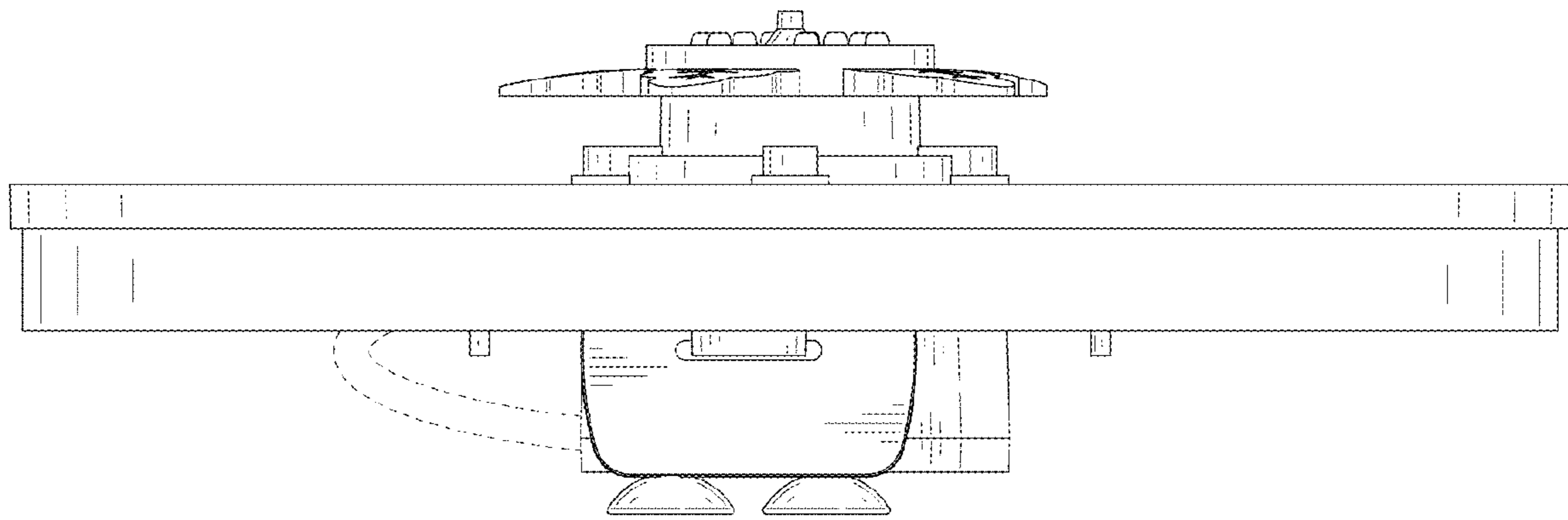


FIG. 3

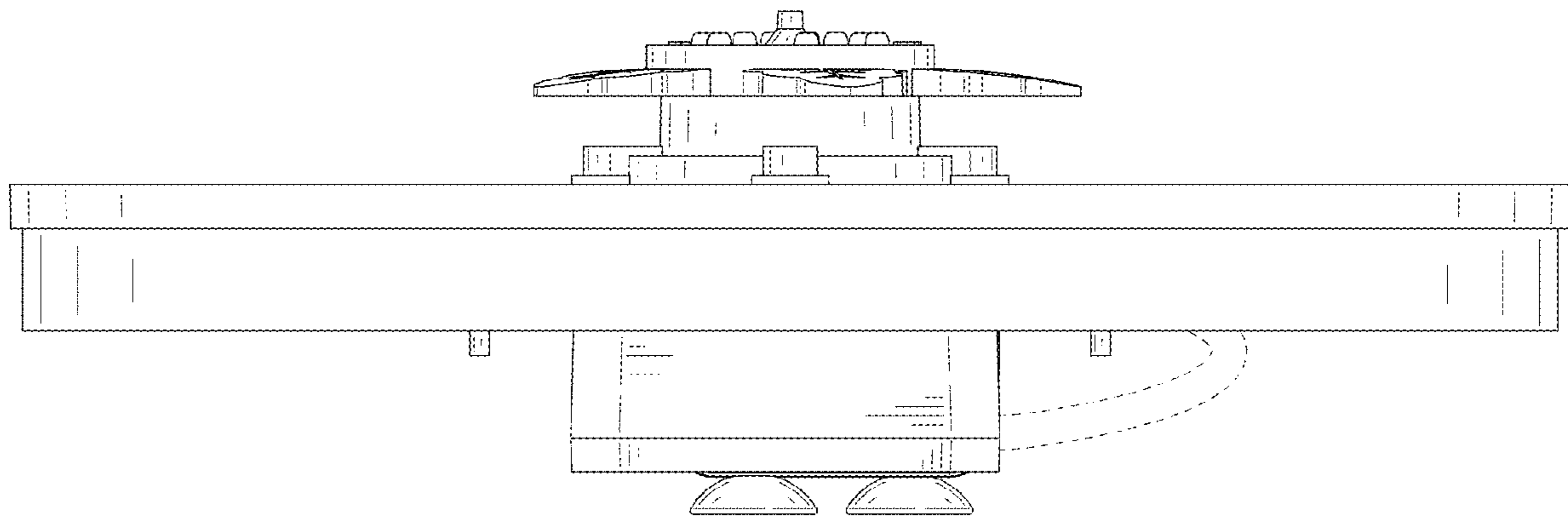


FIG. 4

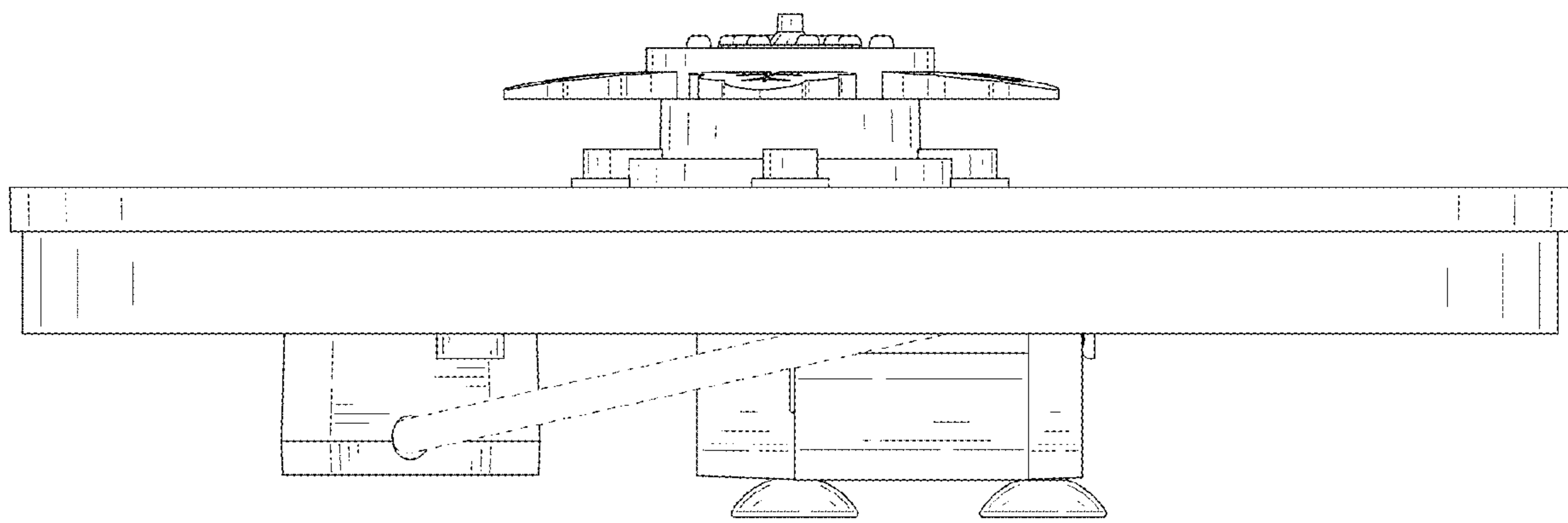


FIG. 5

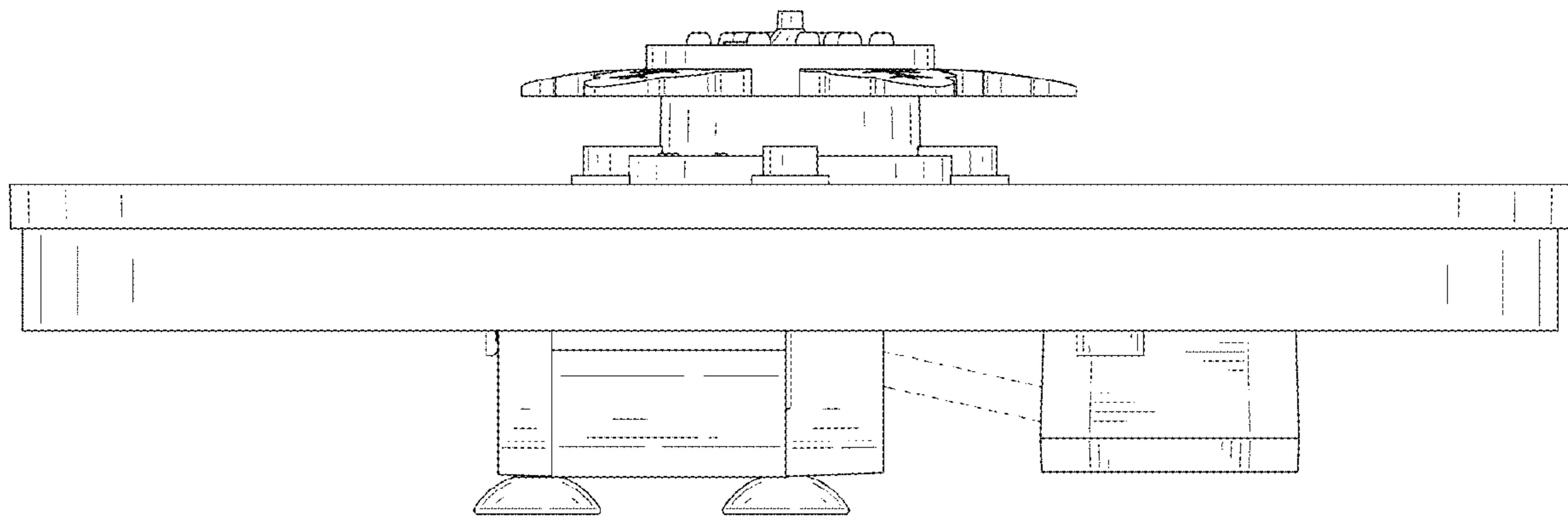


FIG. 6

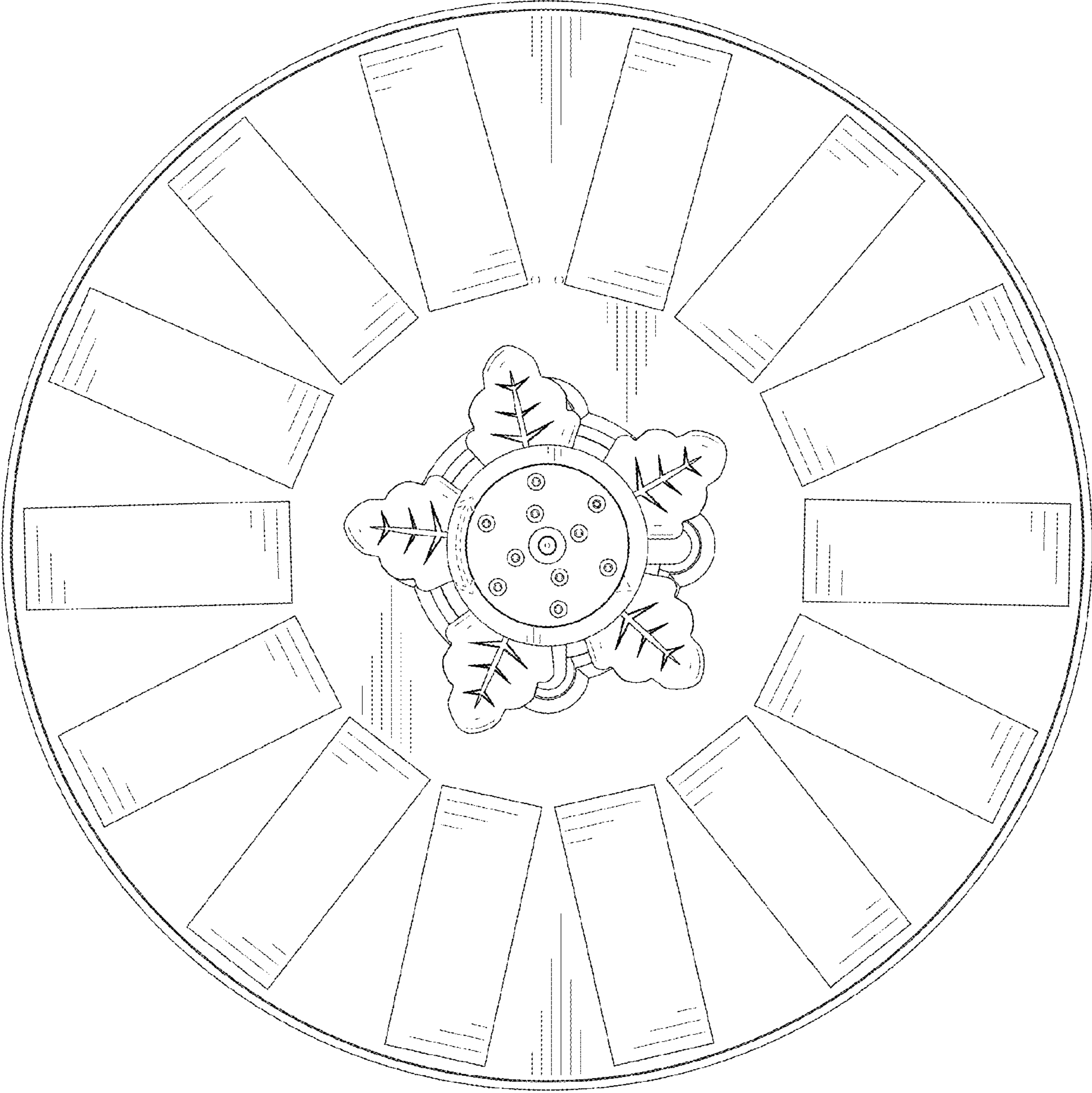


FIG. 7

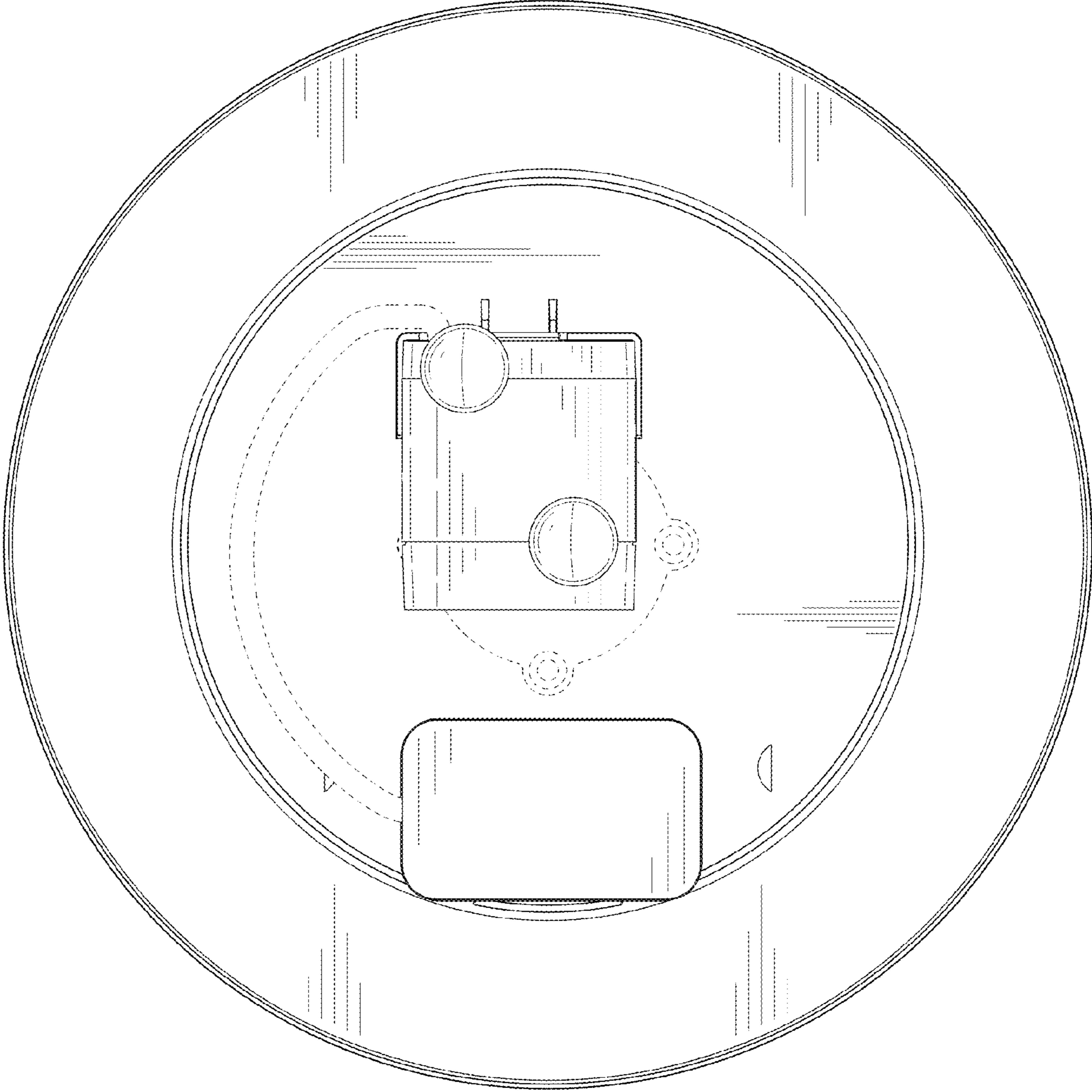


FIG. 8

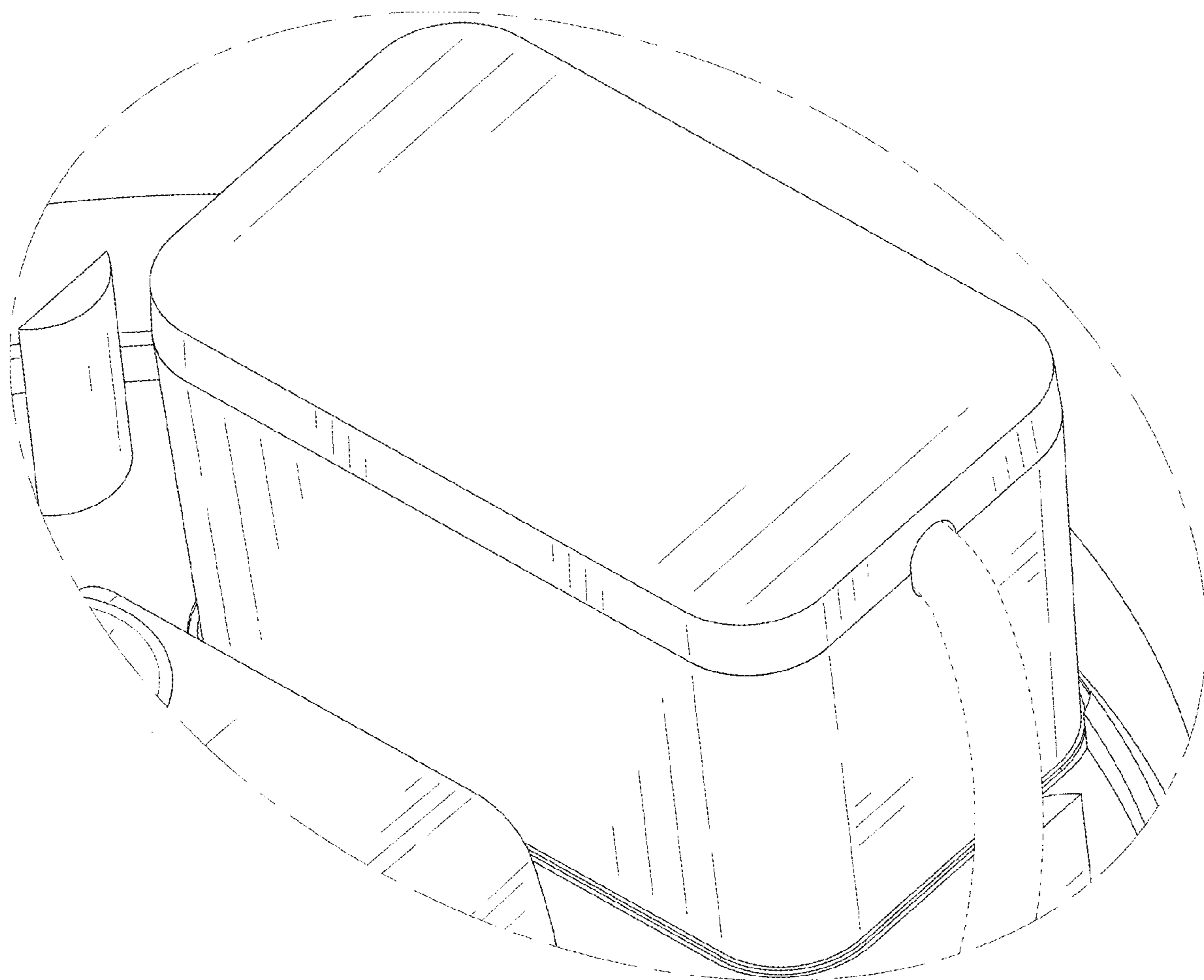


FIG. 9

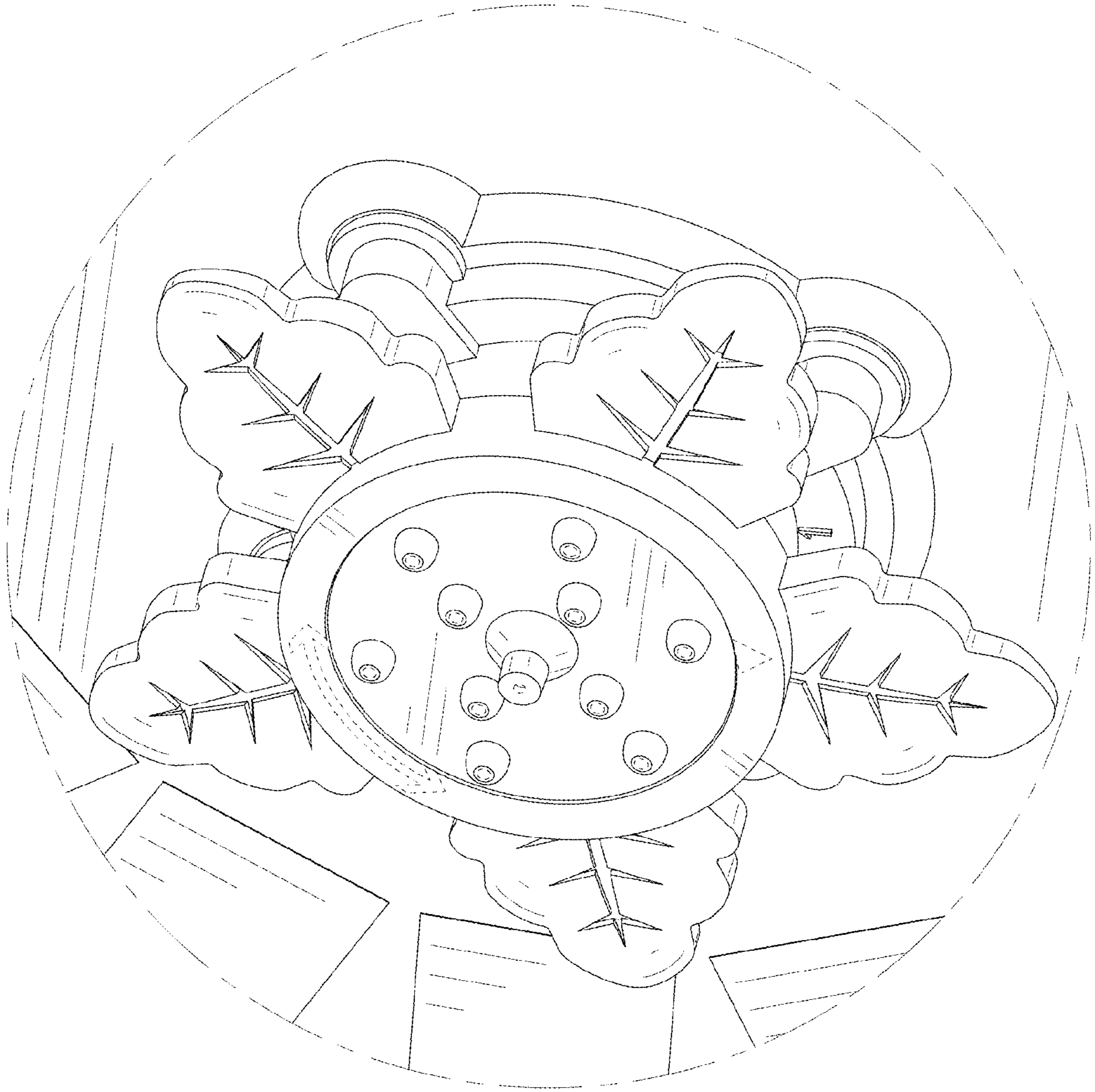


FIG. 10