



US00D939041S

(12) **United States Design Patent** (10) **Patent No.:** **US D939,041 S**  
**Boyette** (45) **Date of Patent:** **\*\* Dec. 21, 2021**

(54) **HOLDER FOR ATTACHING FISH ATTRACTOR TO A FISHING LINE**

(71) Applicant: **Ronald Boyette**, Kenly, NC (US)  
(72) Inventor: **Ronald Boyette**, Kenly, NC (US)  
(\*\*) Term: **15 Years**

(21) Appl. No.: **29/733,003**

(22) Filed: **Apr. 29, 2020**

(51) **LOC (13) Cl.** ..... **22-05**

(52) **U.S. Cl.**  
USPC ..... **D22/136**

(58) **Field of Classification Search**  
USPC ..... D22/121, 134, 136, 144-146  
CPC ..... A01K 83/06; A01K 93/00; A01K 93/02;  
A01K 97/02; A01K 97/04; A01K 97/06  
See application file for complete search history.

(56) **References Cited**

**U.S. PATENT DOCUMENTS**

2,478,621	A *	8/1949	Attula	.....	A01K 97/04 312/97.1
2,844,907	A	7/1958	Merton		
D217,663	S *	5/1970	Chameberlain	.....	D22/134
3,974,591	A	8/1976	Ray		
D345,779	S *	4/1994	Baggett	.....	D22/134
5,617,669	A *	4/1997	Levey	.....	A01K 97/02 43/42.06
6,625,920	B1 *	9/2003	Rockwell	.....	A01K 97/04 43/4
D786,391	S *	5/2017	Phelps	.....	D22/136
D807,470	S *	1/2018	Lewis	.....	D22/134
D858,687	S *	9/2019	LaRoy	.....	D22/136
2014/0053448	A1	2/2014	Kapolnek		
2015/0075057	A1	3/2015	Korunsky		

**FOREIGN PATENT DOCUMENTS**

GB	2092873	*	8/1982	.....	A01K 97/02
GB	2215171	*	9/1989	.....	A01K 97/02
GB	2226743	*	7/1990	.....	A01K 97/02

**OTHER PUBLICATIONS**

Jandell Chum Dispenser . . . [https://www.cabelas.com/shop/en/jandell-chum-dispenser?ds\\_e=GOOGLE&ds\\_c=Shop%7CCAB%7CTopPerformers%7CFishing&gclid=EA1a1QobChMI-I-Yw8ik8wIVpXNvBB0DwgSHEAQYAyABEgl39\\_D\\_BwE&gclid=aw.ds](https://www.cabelas.com/shop/en/jandell-chum-dispenser?ds_e=GOOGLE&ds_c=Shop%7CCAB%7CTopPerformers%7CFishing&gclid=EA1a1QobChMI-I-Yw8ik8wIVpXNvBB0DwgSHEAQYAyABEgl39_D_BwE&gclid=aw.ds) (Year: 2021).\*

\* cited by examiner

*Primary Examiner* — Catherine R Oliver-Garcia  
(74) *Attorney, Agent, or Firm* — Coats & Bennett, PLLC

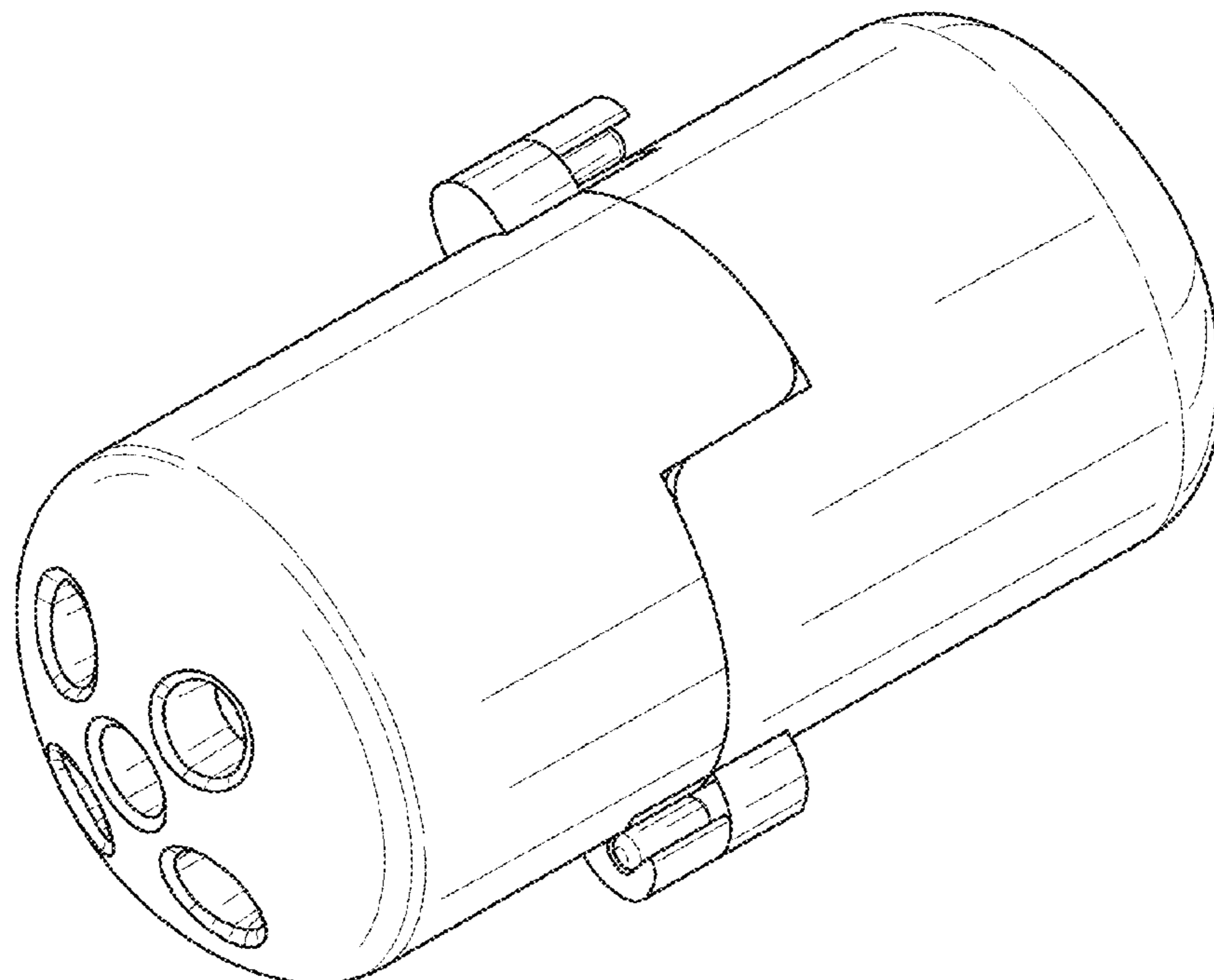
(57) **CLAIM**

The ornamental design for a Holder for attaching fish attractor to a fishing line, as shown and described.

**DESCRIPTION**

FIG. 1 is a perspective view of a holder in a closed orientation for attaching fish attractor to a fishing line showing my design.  
FIG. 2 is a front side view of the holder, with an opposing rear side view being the same.  
FIG. 3 is a perspective view of the holder in an open orientation.  
FIG. 4 is a perspective view of an interior portion of one section of the holder; and,  
FIG. 5 is a first end view of the holder, with an opposing second end view being the same.

**1 Claim, 5 Drawing Sheets**



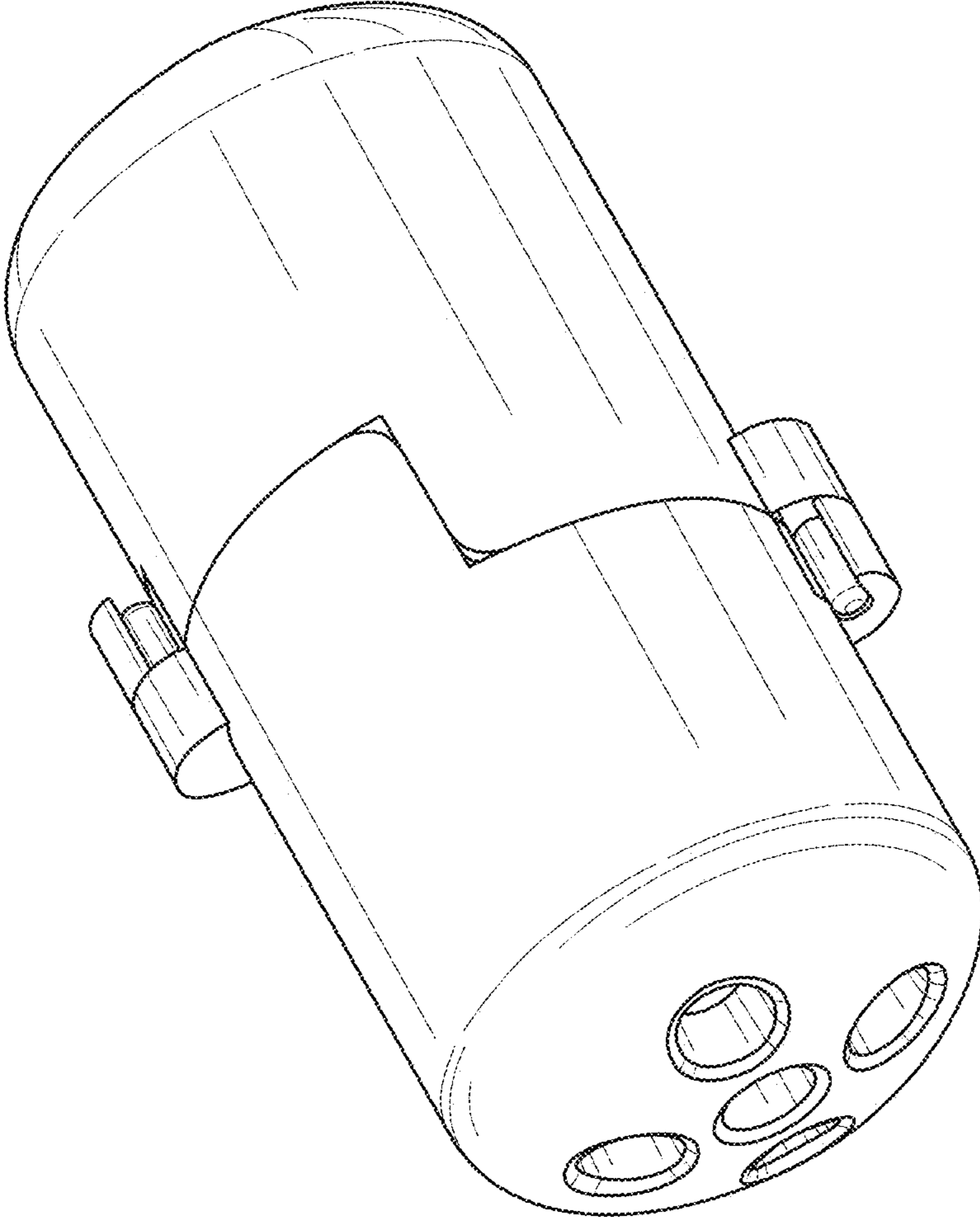


FIG. 1

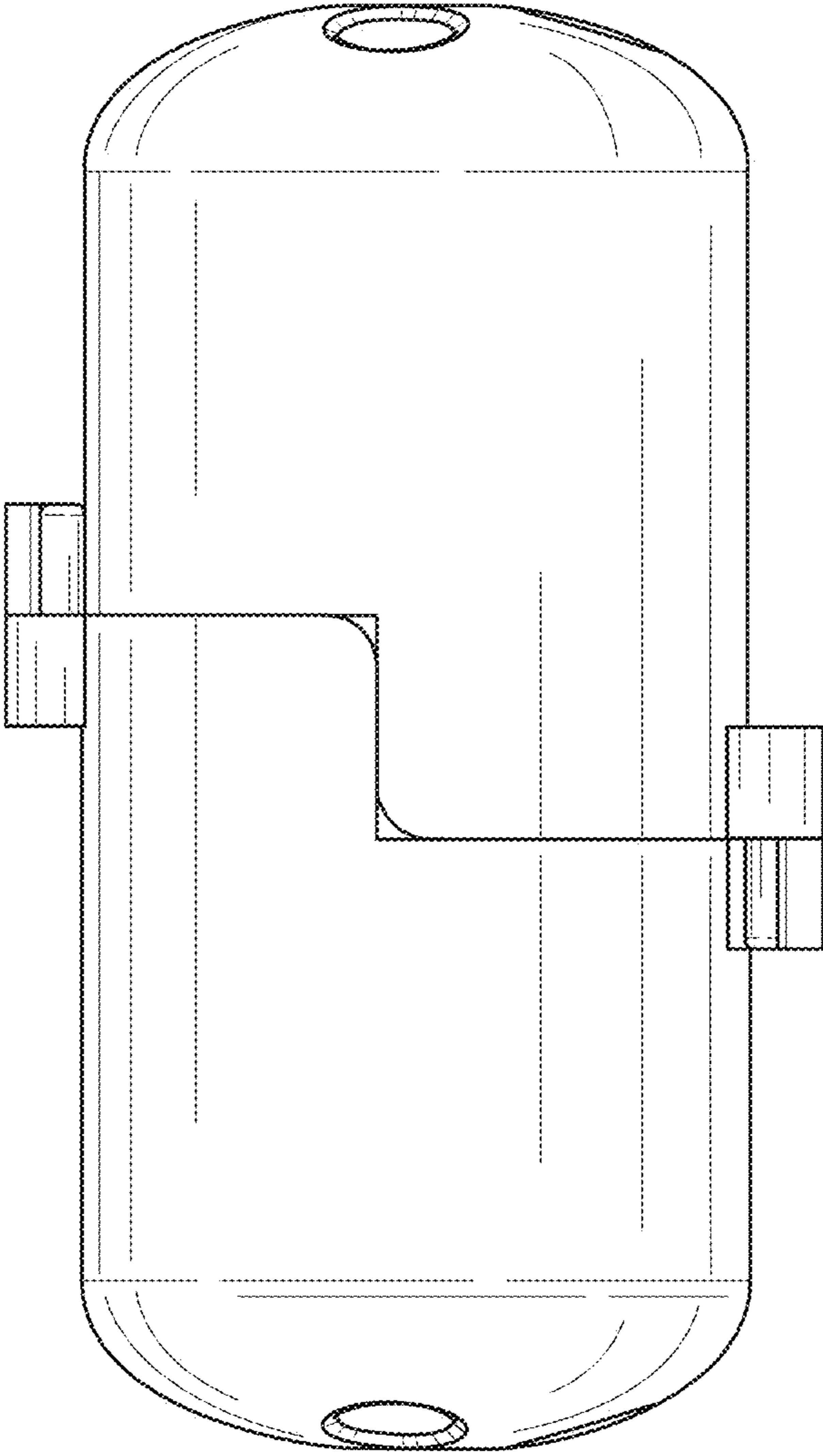


FIG. 2

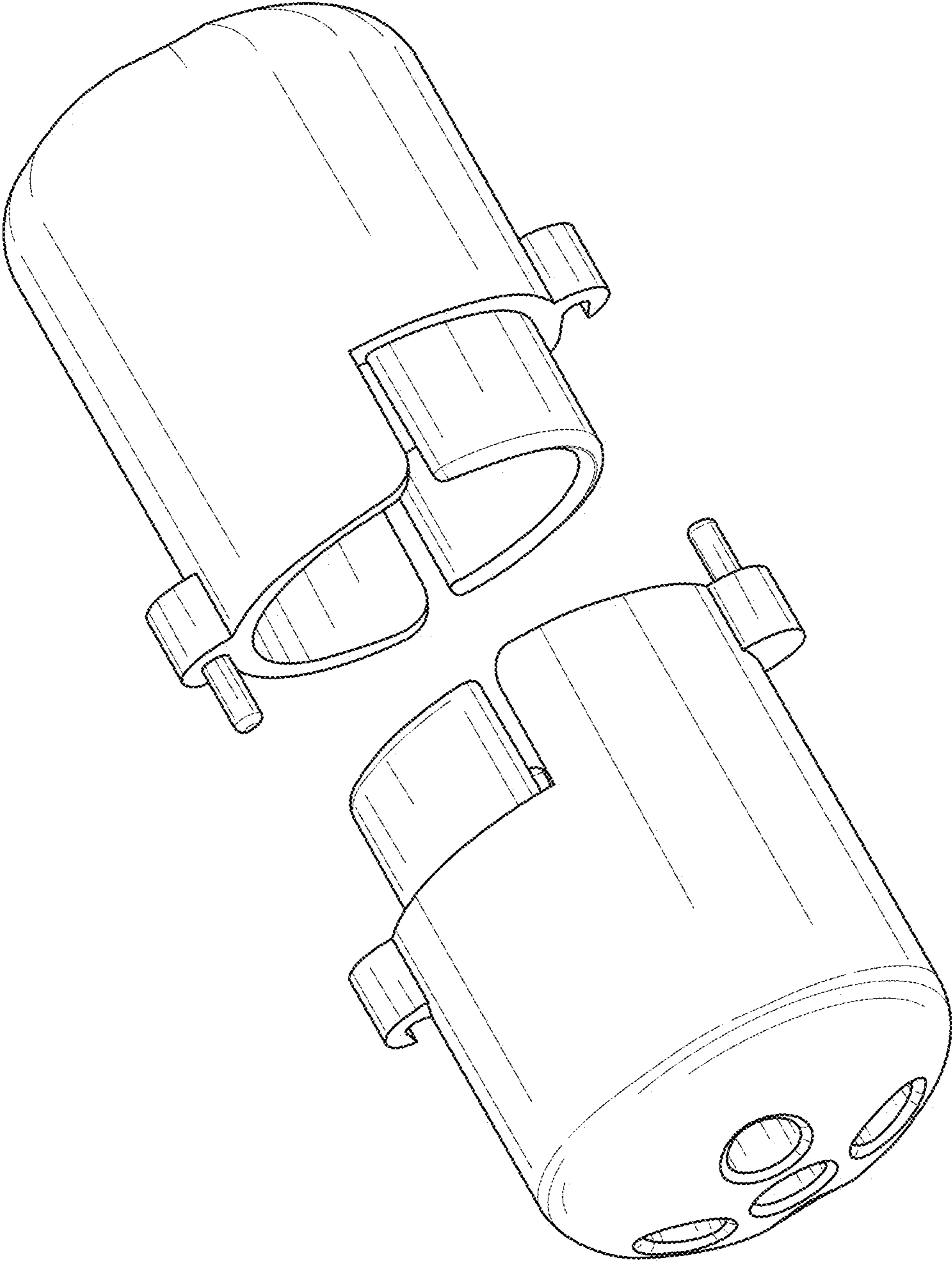


FIG. 3

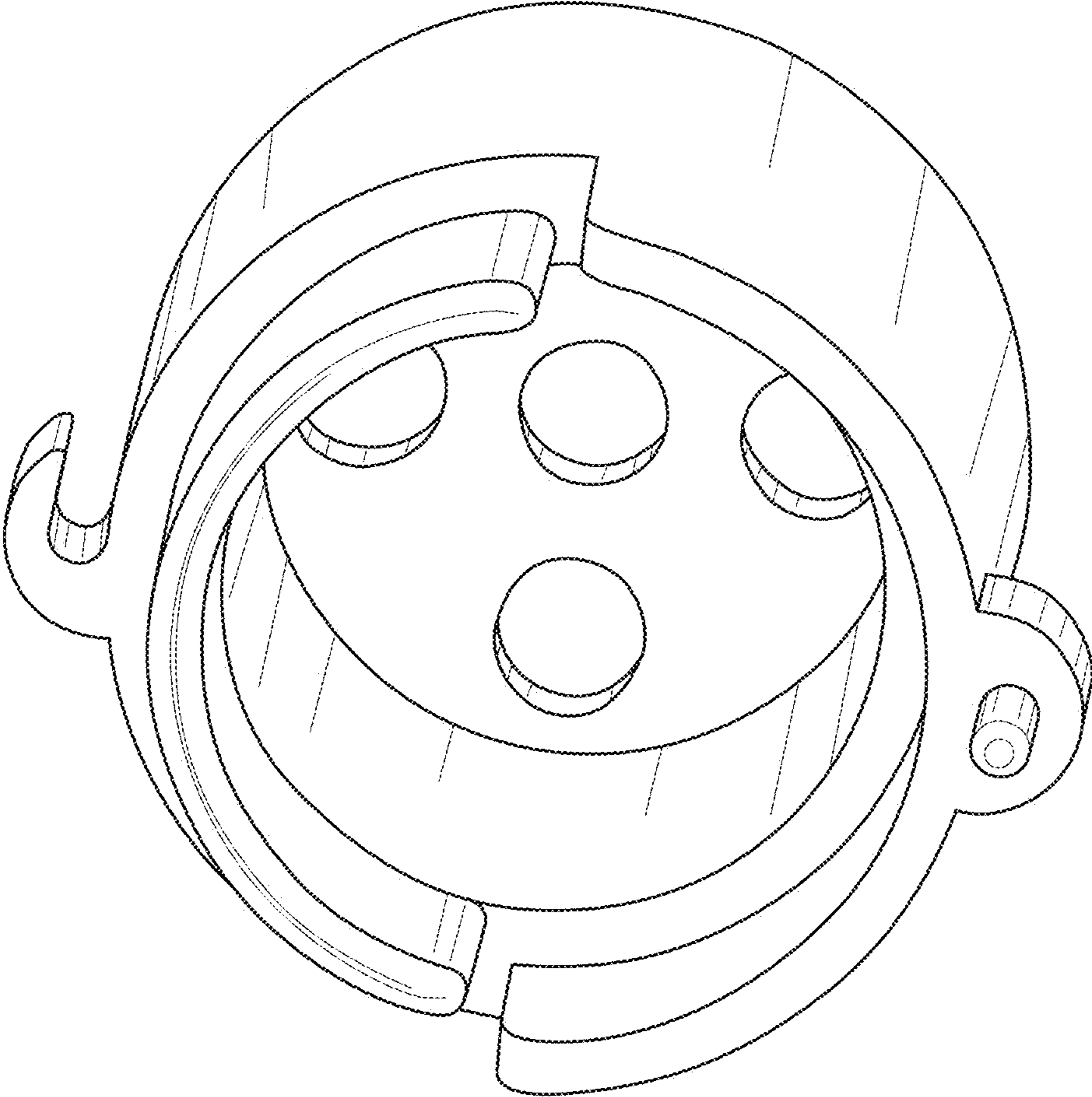


FIG. 4

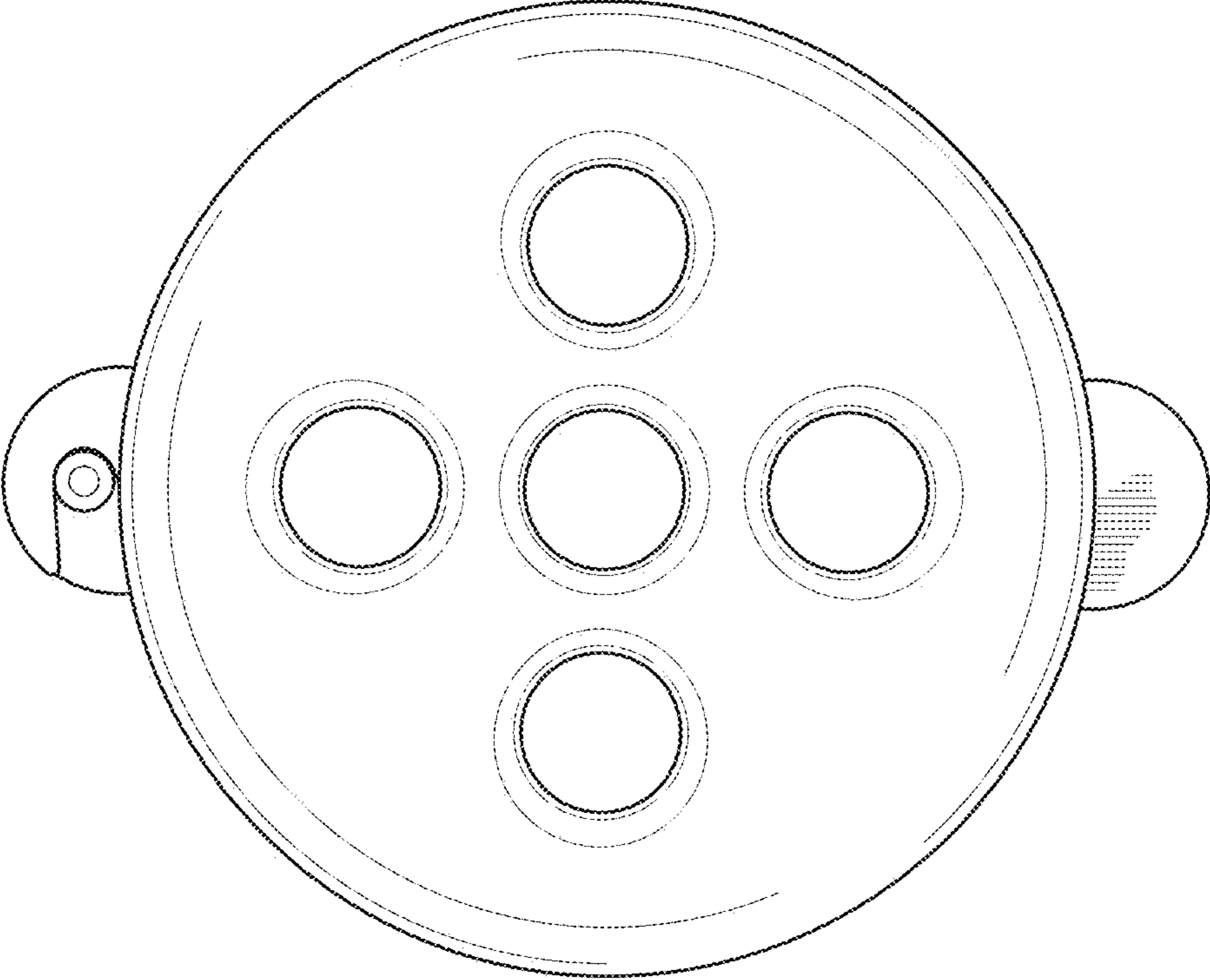


FIG. 5