



US00D939038S

(12) **United States Design Patent**
Zhang

(10) **Patent No.:** **US D939,038 S**

(45) **Date of Patent:** **** Dec. 21, 2021**

- (54) **TRAMPOLINE SPRINKLER**
- (71) Applicant: **Geng Hui Zhang**, Puning (CN)
- (72) Inventor: **Geng Hui Zhang**, Puning (CN)
- (**) Term: **15 Years**
- (21) Appl. No.: **29/771,734**
- (22) Filed: **Feb. 25, 2021**
- (51) **LOC (13) Cl.** **21-02**
- (52) **U.S. Cl.**
USPC **D21/814**
- (58) **Field of Classification Search**
USPC D21/811, 814, 797; D23/214
CPC B05B 3/026; A63B 71/02; A63B 9/00;
A63B 2009/006; A63B 5/11
See application file for complete search history.

- 5,662,525 A * 9/1997 Briggs A63B 9/00
472/128
- 5,741,189 A * 4/1998 Briggs A63B 9/00
472/128
- 5,779,240 A * 7/1998 Santella F41B 9/0053
273/349
- 5,820,471 A * 10/1998 Briggs A63G 31/007
472/128
- 5,820,472 A * 10/1998 Briggs A63B 9/00
472/128

(Continued)

(56) **References Cited**

U.S. PATENT DOCUMENTS

- 1,373,324 A * 3/1921 Gomez A01G 25/00
239/110
- 2,002,178 A * 5/1935 Henry B05B 3/06
239/97
- 3,363,268 A * 1/1968 Friedlander E04H 4/0025
4/506
- D296,920 S * 7/1988 Evans D23/214
- D307,044 S * 4/1990 Johnston D23/220
- D313,269 S * 12/1990 Clivio D23/220
- 5,022,588 A * 6/1991 Haase B05B 3/0486
239/211
- 5,194,048 A * 3/1993 Briggs A63G 31/007
472/128
- 5,224,652 A * 7/1993 Kessler B05B 3/0486
239/211
- D346,009 S * 4/1994 Simonetti D23/220
- 5,385,472 A * 1/1995 Mullin G09B 23/12
434/126
- 5,480,336 A * 1/1996 Blanchard A63H 23/16
239/279
- 5,649,867 A * 7/1997 Briggs A63B 9/00
472/128

OTHER PUBLICATIONS

Oct. 2021; https://www.amazon.com/AOJI-Trampoline-Sprinkler-Outdoor-Backyard/dp/B08B1WMGPP/ref=asc_df_B08B1WMGPP/?tag=hyprod-20&linkcode=df0&hvadid=459479164012&hvpos=&hvnetw=g&hvrnd=10005279330074348629&hvpone=&hvptwo=&hvqmt=&hvdev=c&hvdvcmdl=&hvlocint=&hvlocphy=1027027&hvtargid=pla-942544674369&psc=1#customerReview.*

(Continued)

Primary Examiner — Mitchell I. Siegel

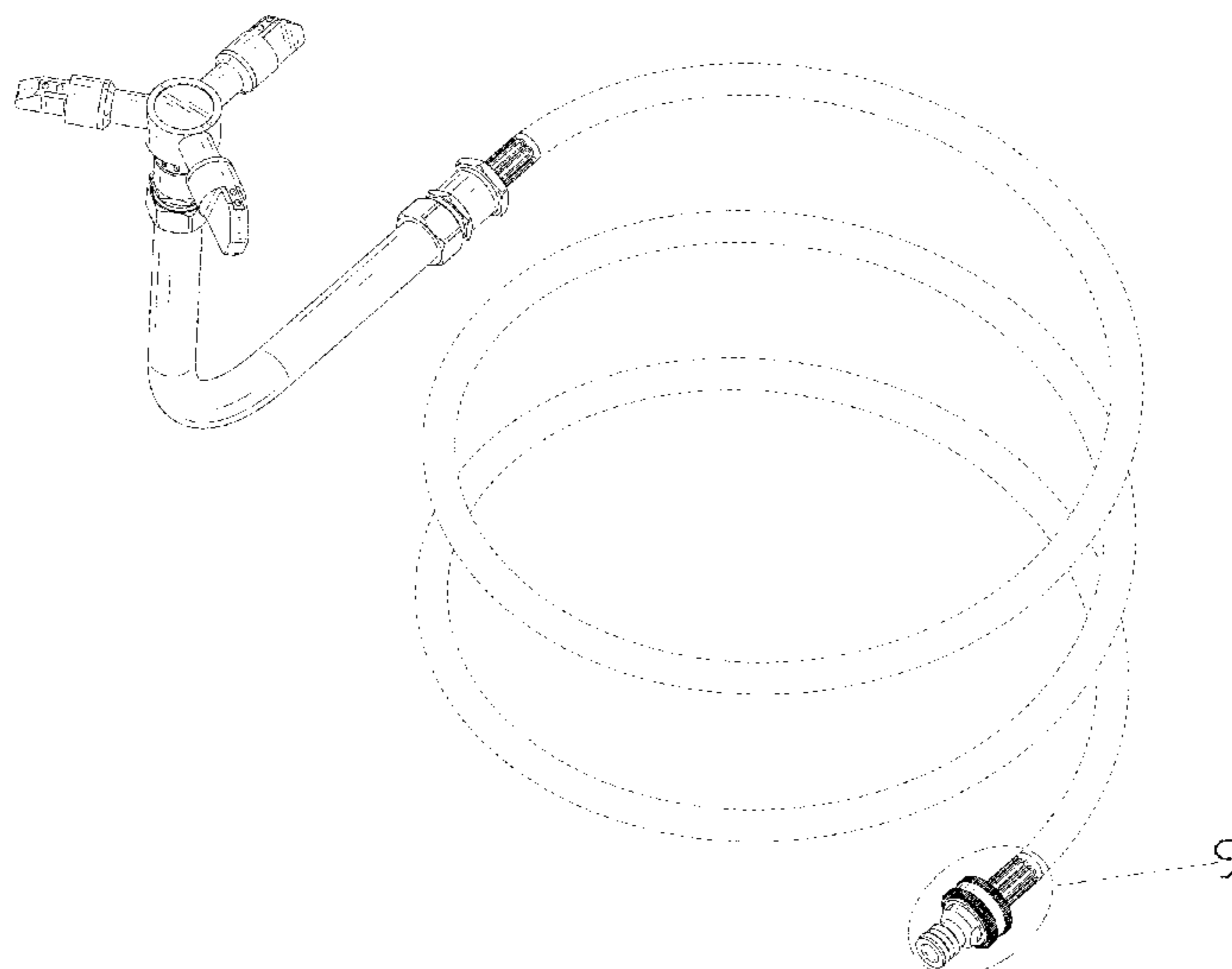
(57) **CLAIM**

The ornamental design for a trampoline sprinkler, as shown and described.

DESCRIPTION

FIG. 1 is a perspective view of a trampoline sprinkler showing my new design;
FIG. 2 is another perspective view thereof;
FIG. 3 is a front elevational view thereof;
FIG. 4 is a rear elevational view thereof;
FIG. 5 is a left side elevational view thereof;
FIG. 6 is a right side elevational view thereof;
FIG. 7 is a top plan view thereof;
FIG. 8 is a bottom plan view thereof; and,
FIG. 9 is an enlarged view of portion 9 shown in FIG. 1.
The broken lines in the drawings depict portions of the trampoline sprinkler that form no part of the claimed design.

1 Claim, 9 Drawing Sheets



(56)

References Cited

U.S. PATENT DOCUMENTS

5,853,332 A * 12/1998 Briggs A63F 9/02
472/128
5,862,990 A * 1/1999 White B05B 17/085
239/289
5,865,680 A * 2/1999 Briggs A63B 9/00
472/128
D406,871 S * 3/1999 Briggs D21/811
5,934,563 A * 8/1999 Gapco B05B 3/06
239/258
6,155,495 A * 12/2000 Jones A63B 5/11
239/289
6,210,287 B1 * 4/2001 Briggs A63G 31/00
273/394
D444,537 S * 7/2001 Giles D23/214
6,319,139 B1 * 11/2001 Tracy A63B 71/02
472/117
6,569,023 B1 * 5/2003 Briggs A63B 9/00
104/70
D478,956 S * 8/2003 Feuer D21/815
6,786,830 B2 * 9/2004 Briggs A63G 31/007
472/128
7,641,594 B2 * 1/2010 Hickey A63B 5/11
482/29
7,946,307 B2 * 5/2011 Zheng E04H 15/40
135/96

8,037,906 B1 * 10/2011 Grillo A63G 31/007
141/10
8,821,304 B2 * 9/2014 Ensing A63G 31/007
472/128
9,522,338 B1 * 12/2016 Park A63G 31/007
9,604,151 B2 * 3/2017 DeCaro A63G 31/007
D812,174 S * 3/2018 Civile D21/814
D868,207 S * 11/2019 Hsieh D23/214
10,525,363 B2 * 1/2020 Gray A63G 31/007
2006/0194674 A1 * 8/2006 Hickey A63B 5/11
482/27
2010/0288320 A1 * 11/2010 Rehkemper E04H 15/42
135/96
2018/0229253 A1 * 8/2018 Chen B05B 15/14
2018/0257091 A1 * 9/2018 Pickens, Jr. A63H 23/10
2018/0280821 A1 * 10/2018 Michelsen A63G 31/007
2021/0121789 A1 * 4/2021 Ertur A63H 29/14

OTHER PUBLICATIONS

“360 Degree Rotating Sprinkler Noodle Head Water Sprinkler Garden Watering Sprinkler for Garden Irrigation Roof Cooling Tools#Y5”, Retrieved Feb. 23, 2021]. Retrieved from Internet, <https://www.aliexpress.com/item/4001205628342.html?spm=a2g0o.productlist.0.0.421d6811TswYm>.

* cited by examiner

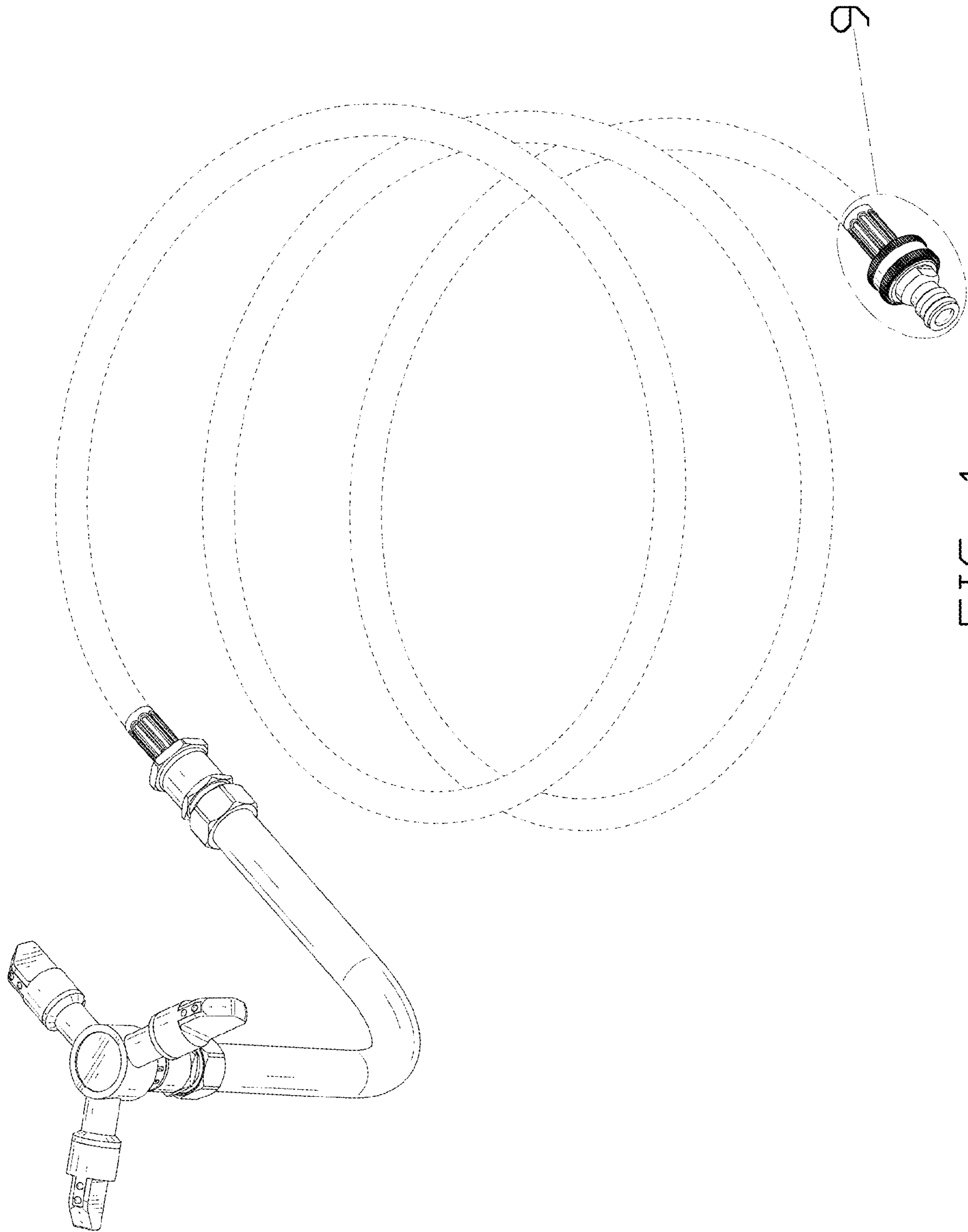


FIG. 1

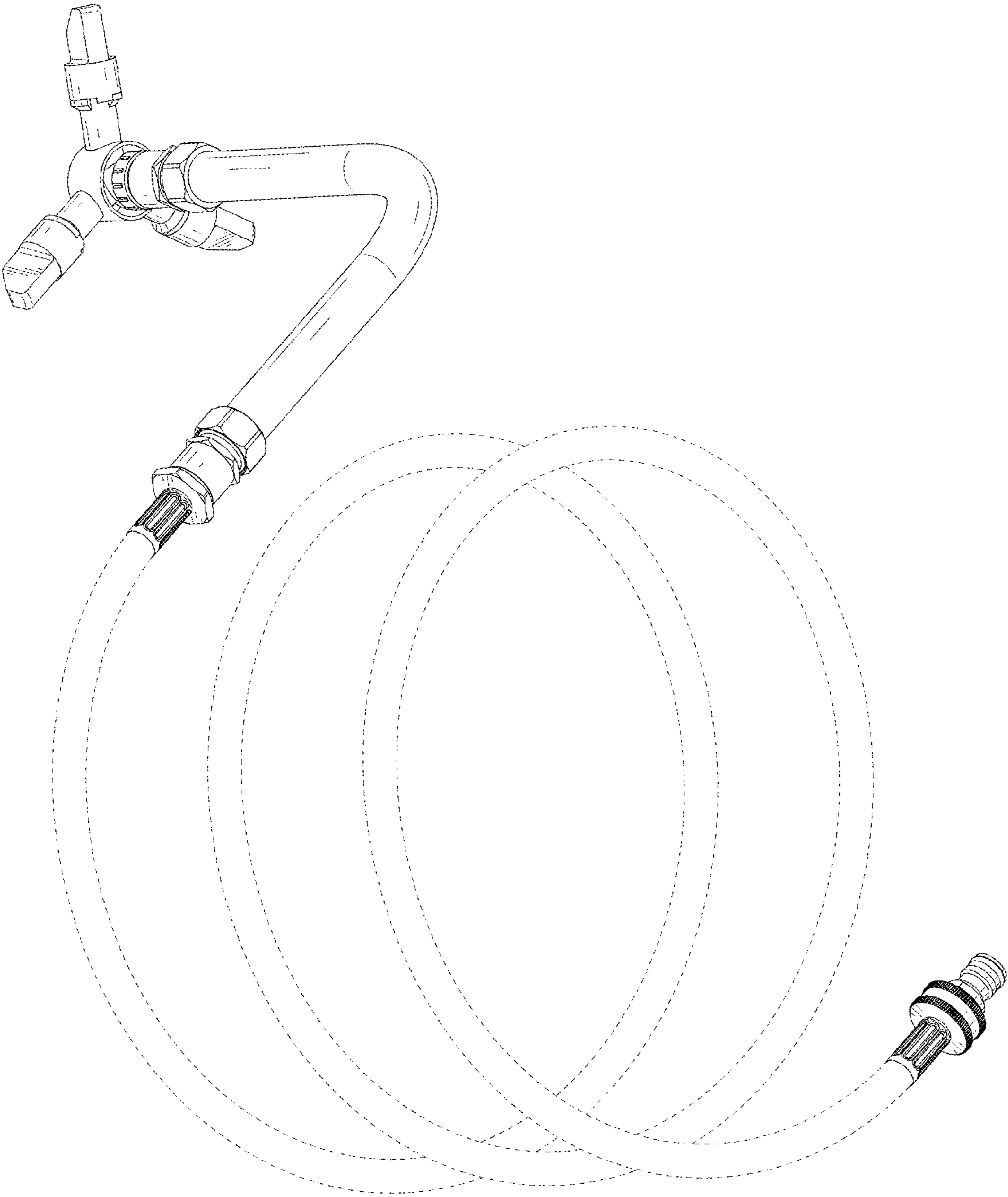


FIG. 2

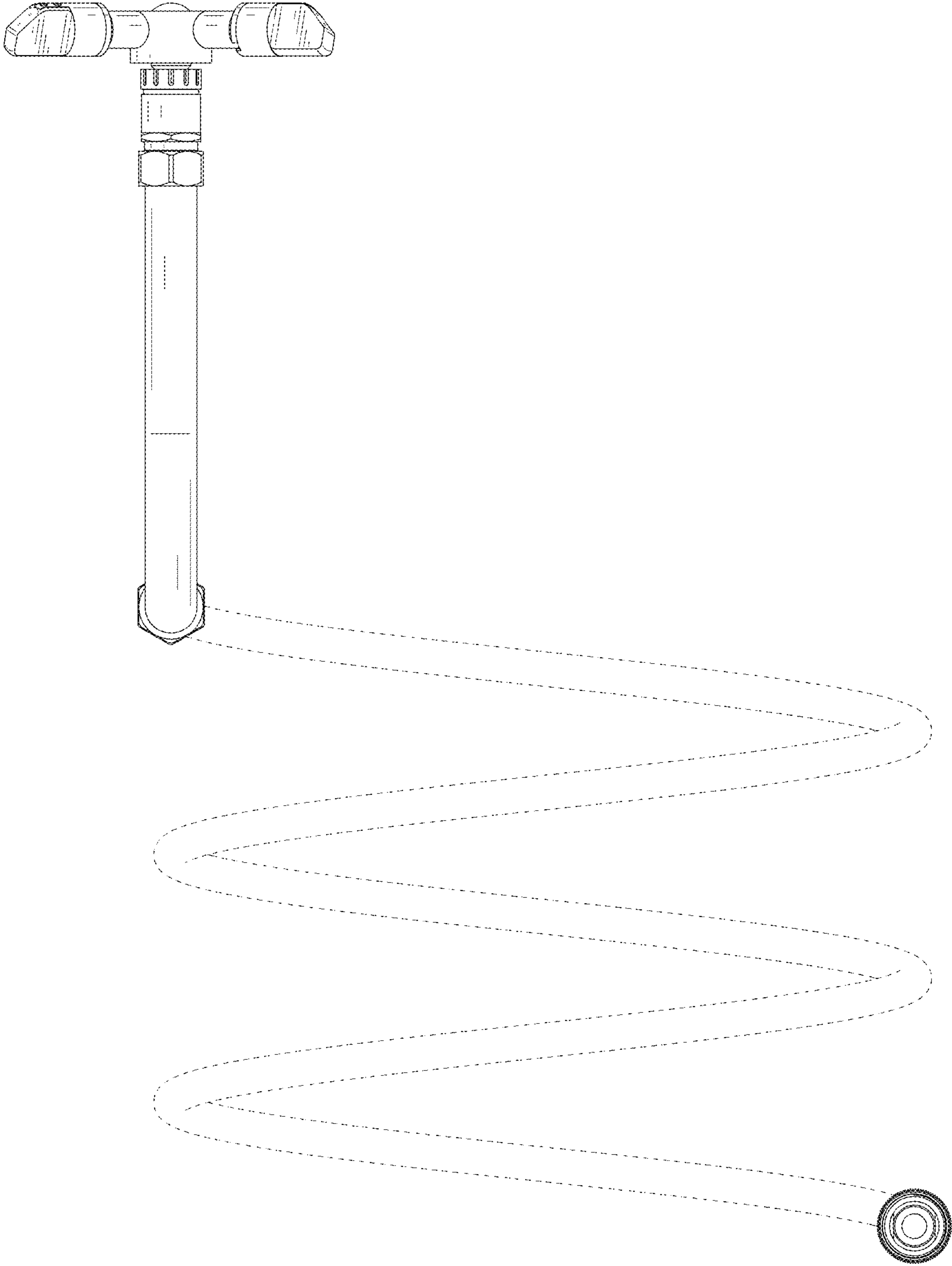


FIG. 3

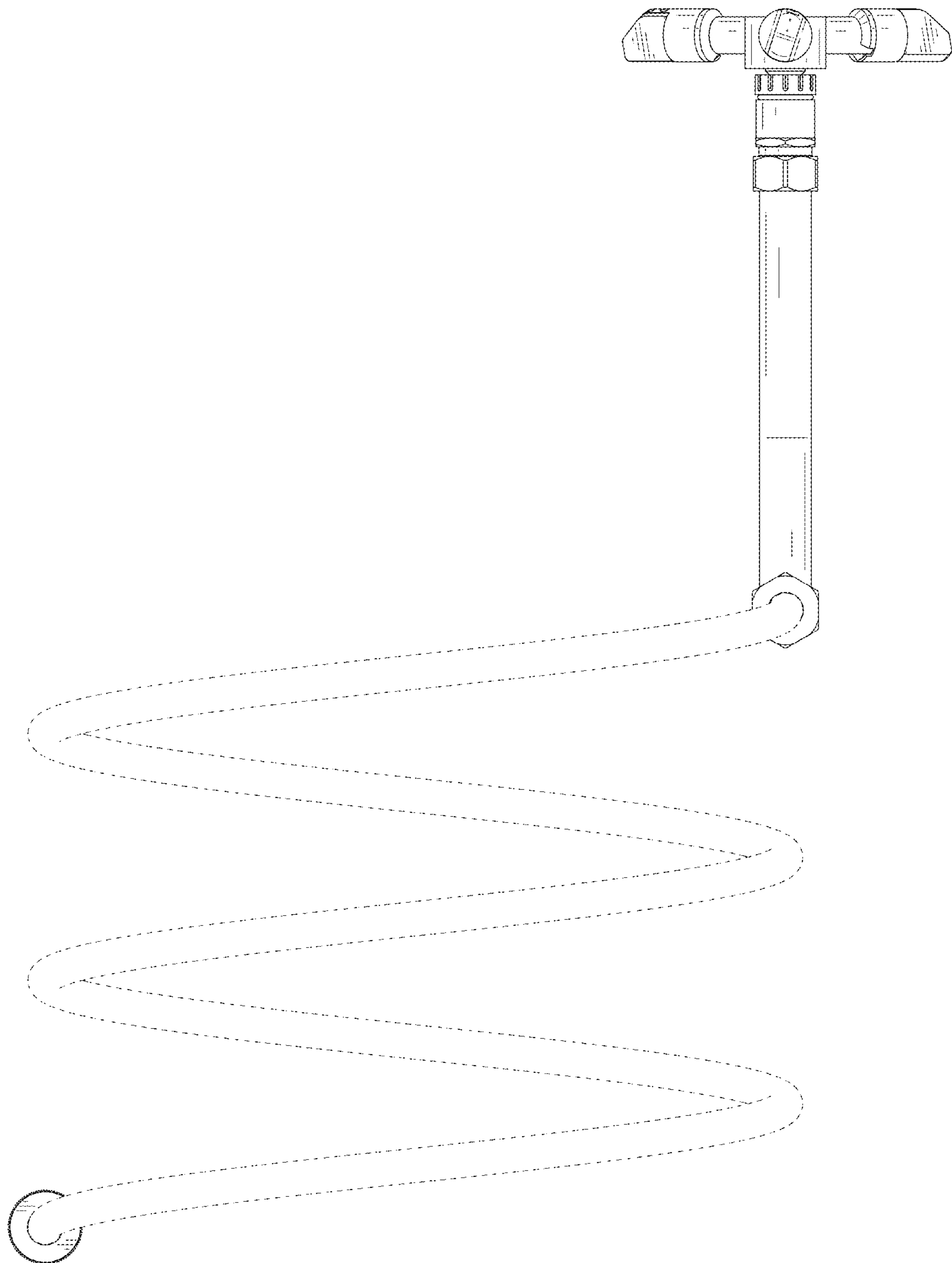


FIG. 4

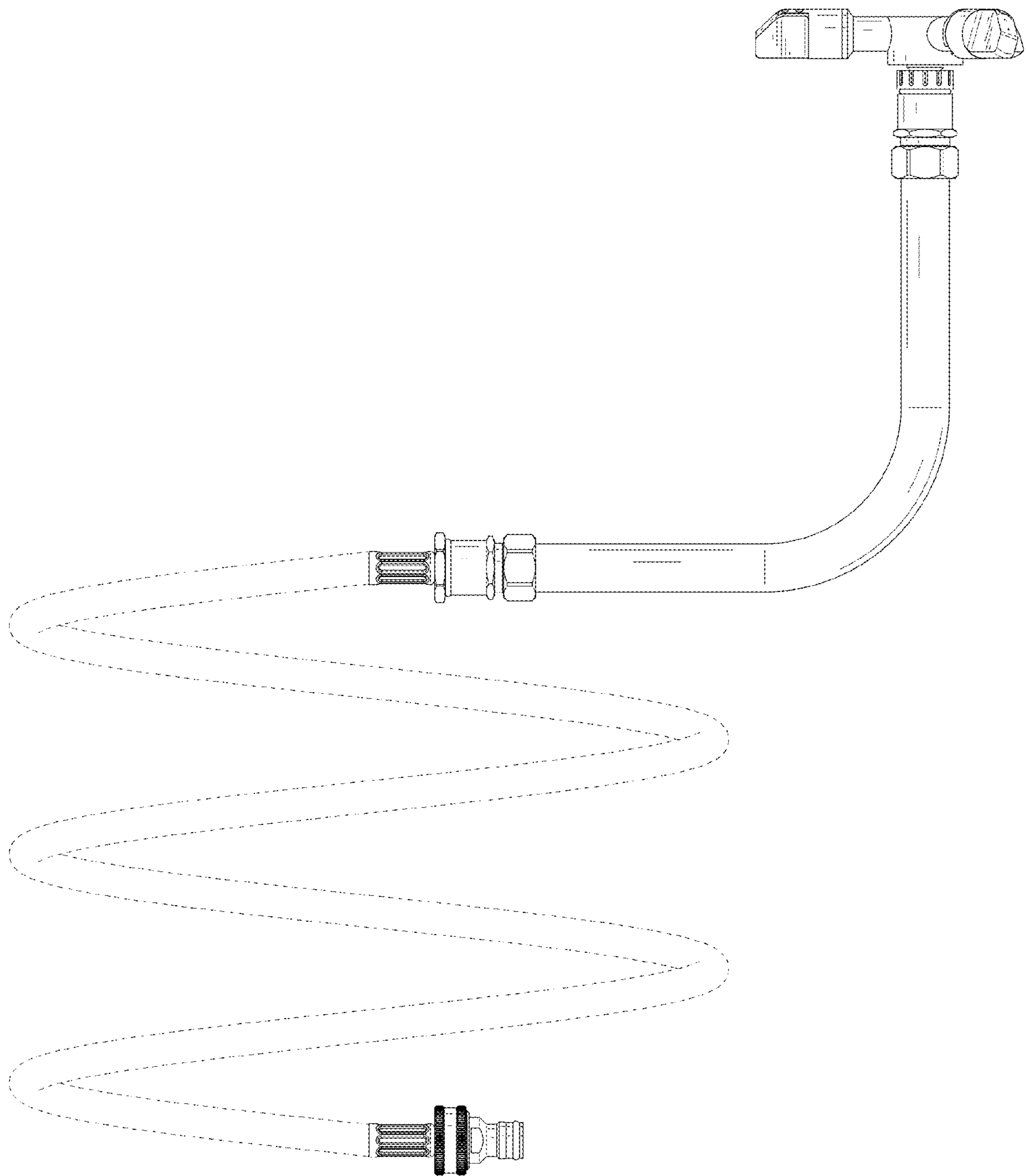


FIG. 5

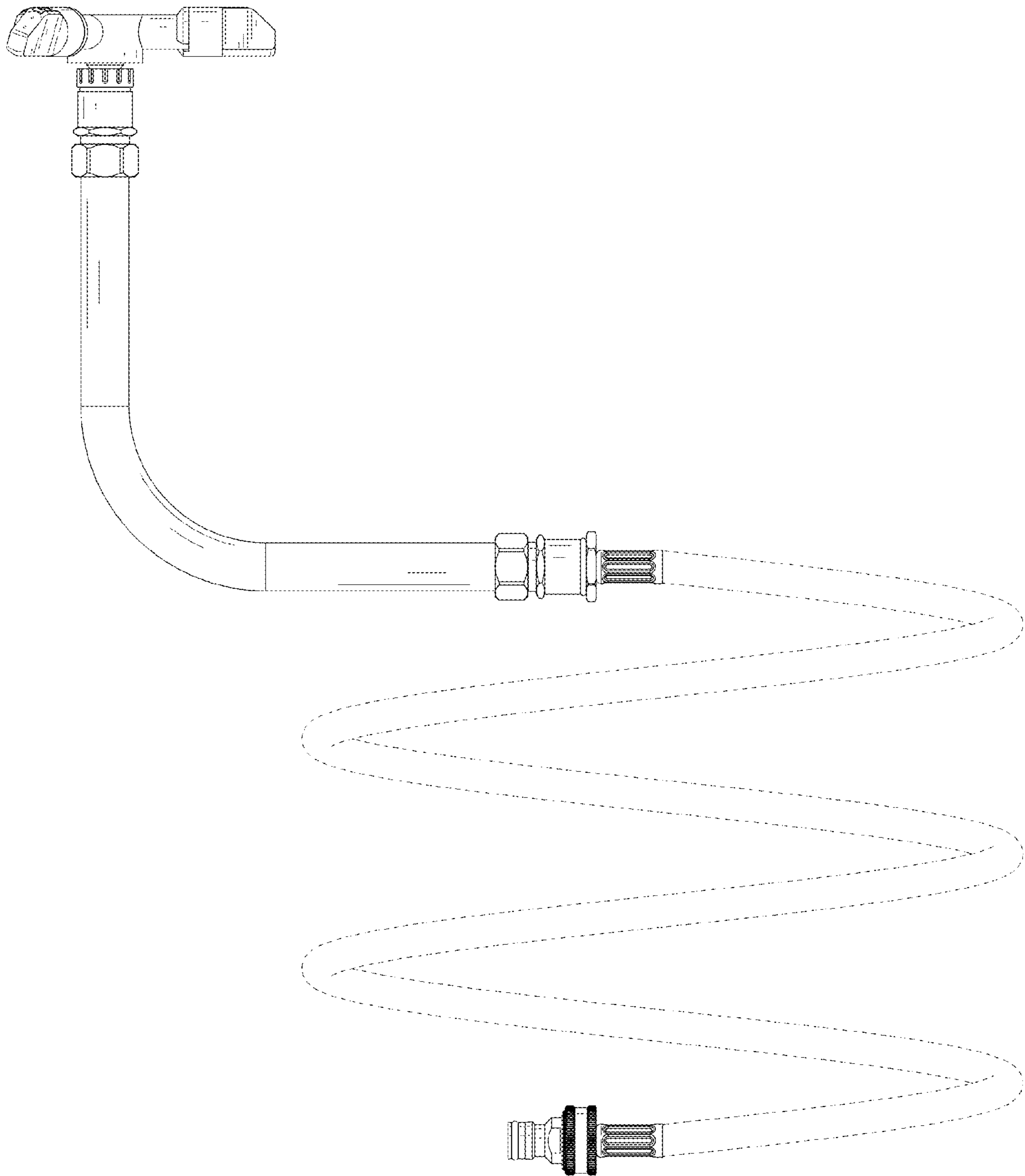


FIG. 6

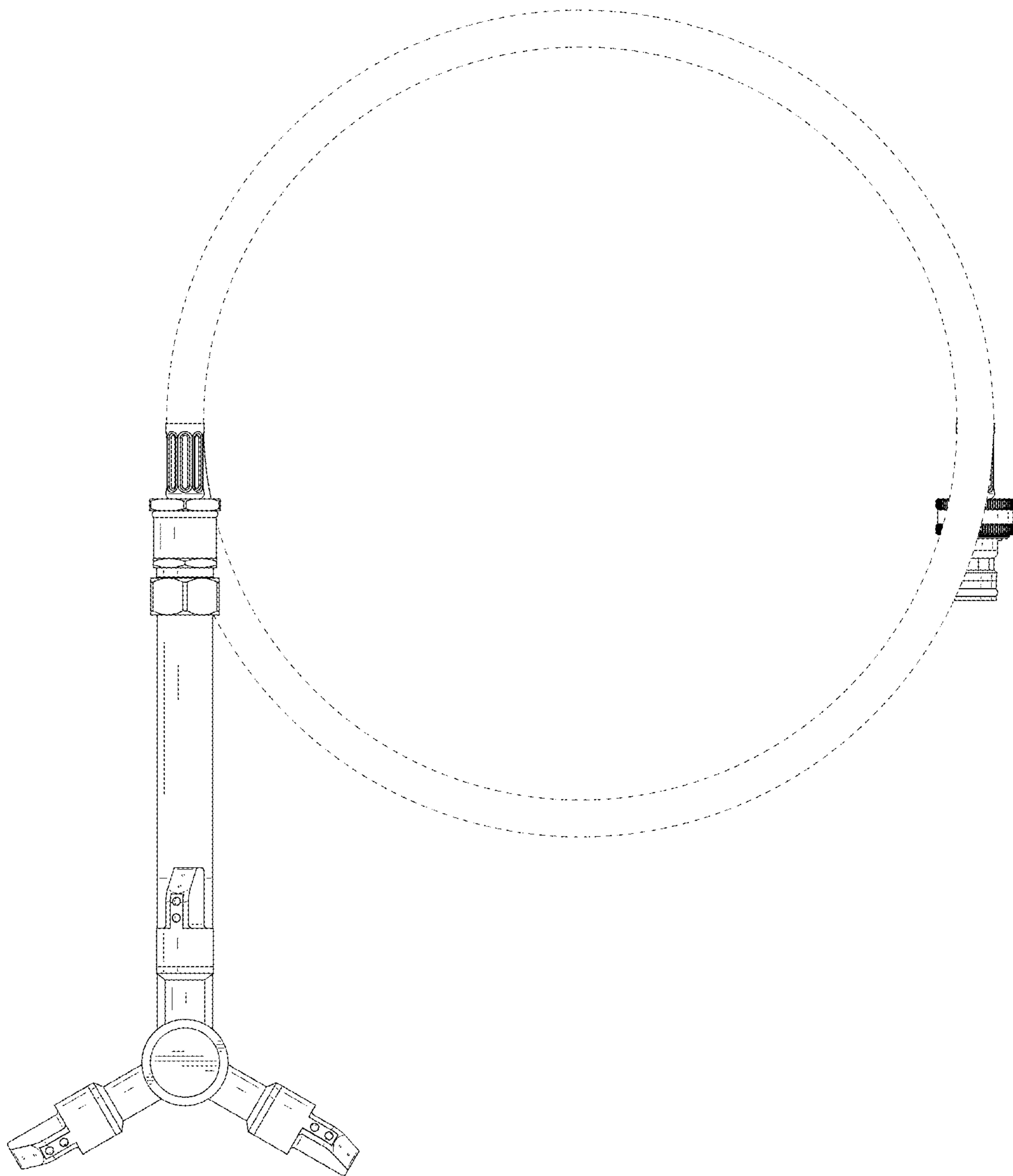


FIG. 7

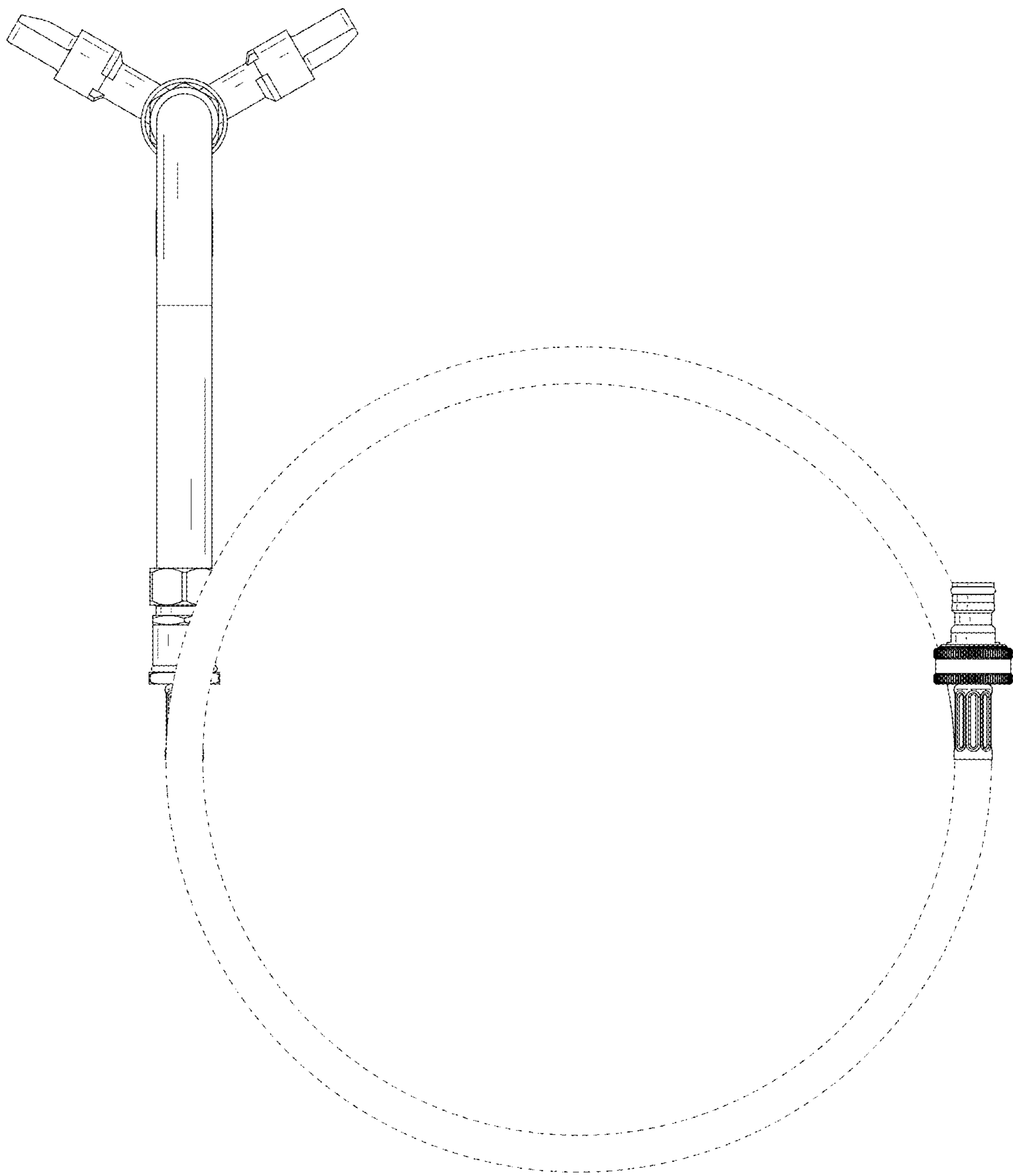


FIG. 8

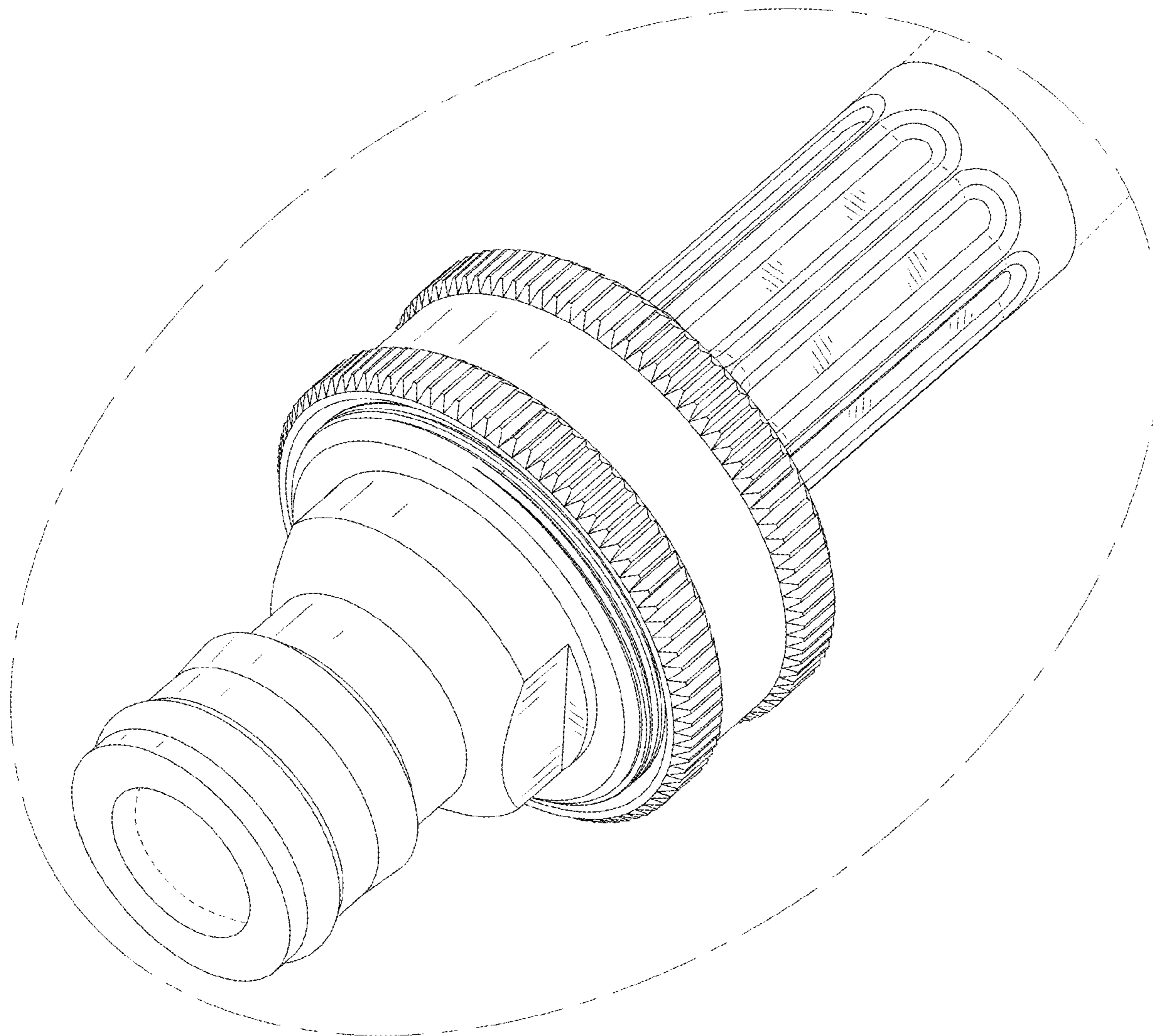


FIG. 9