



US00D939036S

(12) **United States Design Patent** (10) **Patent No.:** **US D939,036 S**
Bedard et al. (45) **Date of Patent:** **** Dec. 21, 2021**

- (54) **ADJUSTABLE GOLF TEE**
- (71) Applicant: **Yatta Golf LLC**, Provo, UT (US)
- (72) Inventors: **Abraham Bedard**, Provo, UT (US);
Kelby Gatrell, Provo, UT (US);
Benjamin Bedard, Nauvoo, IL (US)
- (73) Assignee: **YATTA GOLF LLC**, Provo, UT (US)
- (**) Term: **15 Years**
- (21) Appl. No.: **29/691,688**
- (22) Filed: **May 17, 2019**
- (51) **LOC (13) Cl.** **21-02**
- (52) **U.S. Cl.**
USPC **D21/718**
- (58) **Field of Classification Search**
USPC D21/715-721, 789-796; 473/386-403
CPC A63B 57/00-40
See application file for complete search history.

- D453,810 S * 2/2002 Lee D21/717
- 6,475,107 B1 * 11/2002 Sand A63B 57/10
473/398
- D468,379 S * 1/2003 Gan D21/717
- 6,729,977 B1 5/2004 Young
- D517,138 S * 3/2006 Barouh D21/718
- 7,156,758 B2 1/2007 Lu
- D572,323 S * 7/2008 Merullo D21/718

(Continued)

FOREIGN PATENT DOCUMENTS

- EM 000286810-0001 * 4/2005
- GB 481698 A 3/1938

(Continued)

OTHER PUBLICATIONS

International Search Report and Written Opinion from PCT Application No. PCT/US2020/032351, dated Aug. 14, 2020.

(Continued)

Primary Examiner — Catherine A Tuttle

(74) *Attorney, Agent, or Firm* — Workman Nydegger

(56) **References Cited**

U.S. PATENT DOCUMENTS

- 1,641,155 A * 9/1927 Clausing A63B 57/10
473/402
- D91,149 S * 12/1933 Thompson D21/718
- D99,117 S * 3/1936 Drinkert D21/718
- 2,839,304 A 6/1958 Lerick
- 3,114,557 A 12/1963 Cabot
- 3,408,079 A 10/1968 Kirikos
- 4,951,945 A 8/1990 Gamble
- 5,221,090 A * 6/1993 Hong A63B 57/10
473/391
- D346,190 S * 4/1994 Folker D21/718
- D360,006 S * 7/1995 Samples D21/718
- D370,041 S * 5/1996 Thomas D21/718
- 5,571,055 A * 11/1996 Lewis A63B 57/15
473/398
- 5,672,122 A 9/1997 Strong
- D413,640 S * 9/1999 Fearer, III D21/718

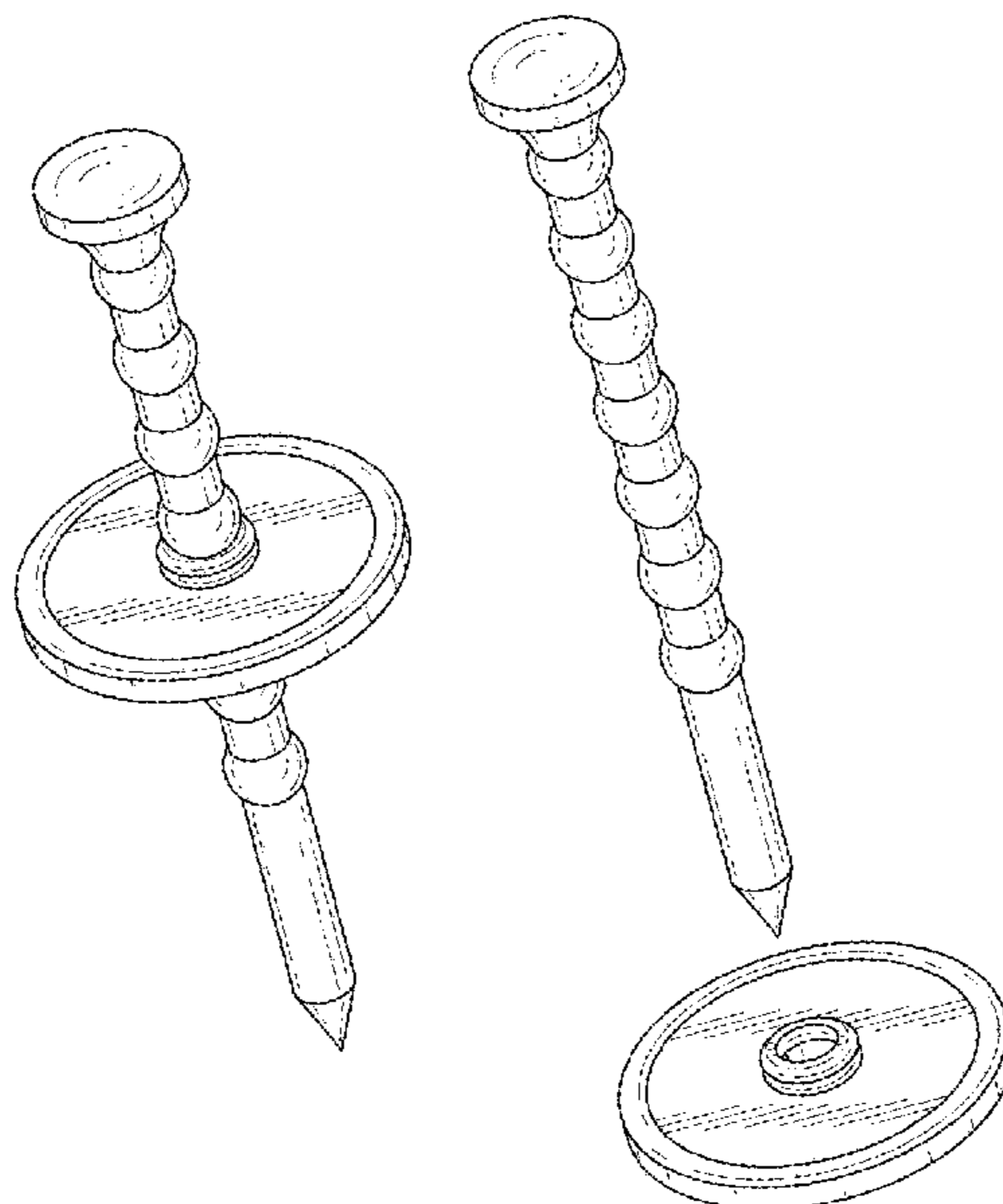
(57) **CLAIM**

The ornamental design for an adjustable golf tee, as shown and described.

DESCRIPTION

FIG. 1 is a top, right, front perspective view showing our new design for an adjustable golf tee;
FIG. 2 is an exploded perspective view thereof;
FIG. 3 is a front elevational view thereof;
FIG. 4 is a rear elevational view thereof;
FIG. 5 is a top plan view thereof;
FIG. 6 is a bottom plan view thereof;
FIG. 7 is a left side elevational view thereof; and,
FIG. 8 is a right side elevational view thereof.

1 Claim, 3 Drawing Sheets



(56)

References Cited

U.S. PATENT DOCUMENTS

7,699,722 B1 * 4/2010 Neu A63B 57/10
473/400
7,717,811 B1 * 5/2010 Merullo A63B 57/10
473/387
2004/0152542 A1 * 8/2004 Blum A63B 57/10
473/400
2006/0100039 A1 * 5/2006 Hayton A63B 57/10
473/396
2006/0199669 A1 9/2006 Barouh
2007/0012742 A1 * 1/2007 Hung A63B 57/203
224/666
2009/0088274 A1 * 4/2009 Blais A63B 57/10
473/398
2010/0173730 A1 7/2010 Iacono
2011/0092316 A1 * 4/2011 Chiang Huang A63B 57/16
473/391
2012/0064985 A1 * 3/2012 Kumar A63B 57/15
473/225
2017/0001085 A1 * 1/2017 Russell A63B 71/0009

FOREIGN PATENT DOCUMENTS

GB 2408943 A * 6/2005 A63B 57/10
WO 9306897 A1 4/1993
WO WO-2005087327 A1 * 9/2005 A63B 57/15
WO WO-2009054849 A1 * 4/2009 A63B 57/15
WO WO-2010093148 A2 * 8/2010 A63B 57/12
WO WO-2019212319 A1 * 11/2019 G09F 23/00

OTHER PUBLICATIONS

Zero Friction, Zero Friction Lock n Drive Tees, retrieved from <https://www.zerofriction.com/golf-teeshtml/lock-n-drive-2html>, Sep. 25, 2020.
Martini Tees, Martini Step-Up Golf Tees 3¼, retrieved from <https://www.amazon.com/Martini-Step-Up-Golf-Tees-Multicolor/dp/B00HHYUZZW>, Sep. 25, 2020.

* cited by examiner

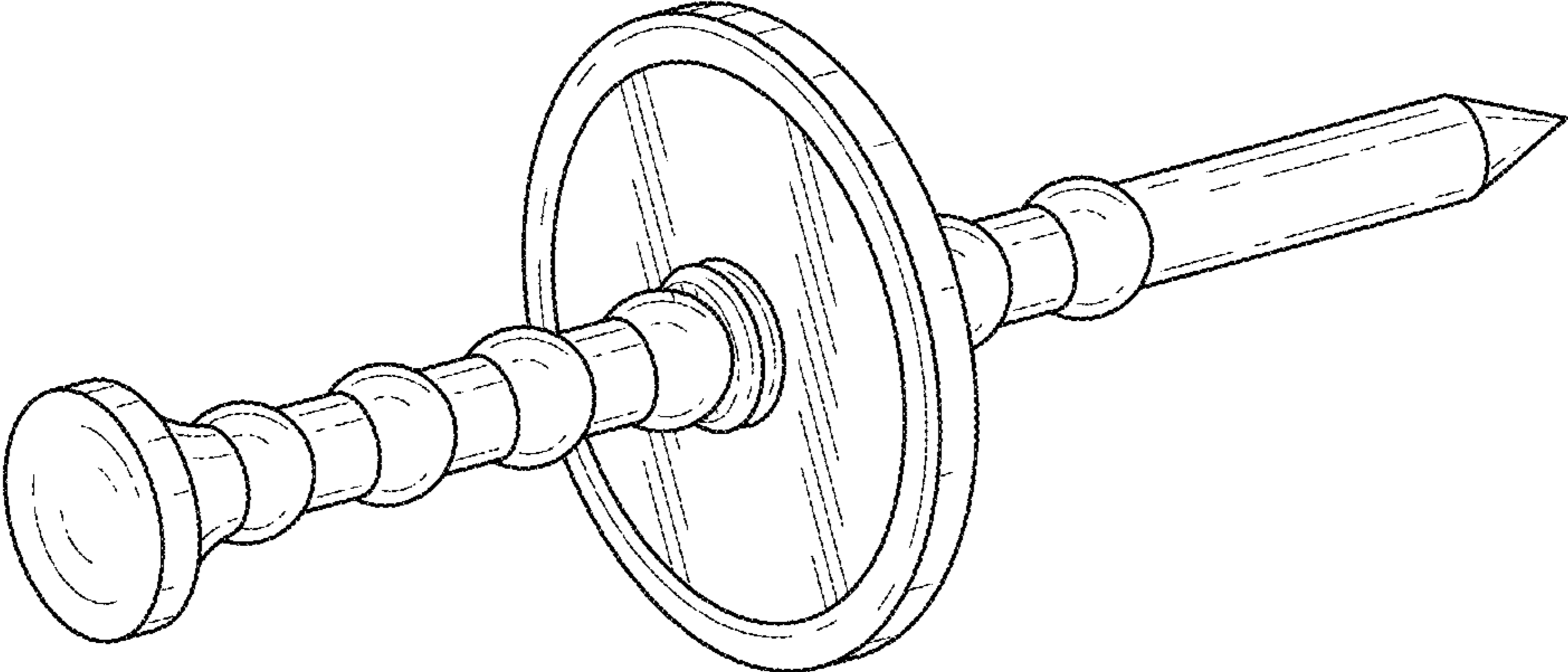
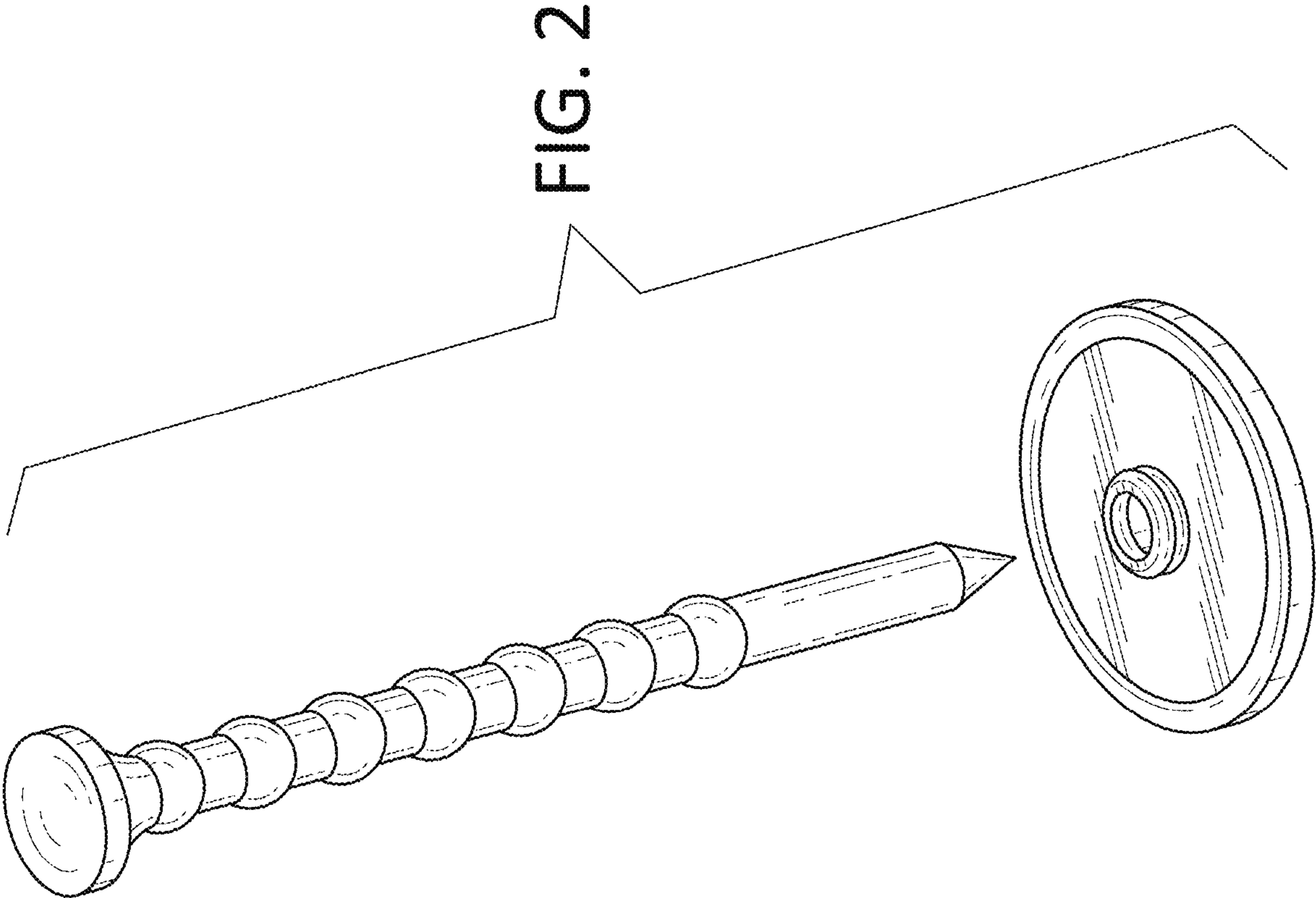


FIG. 1

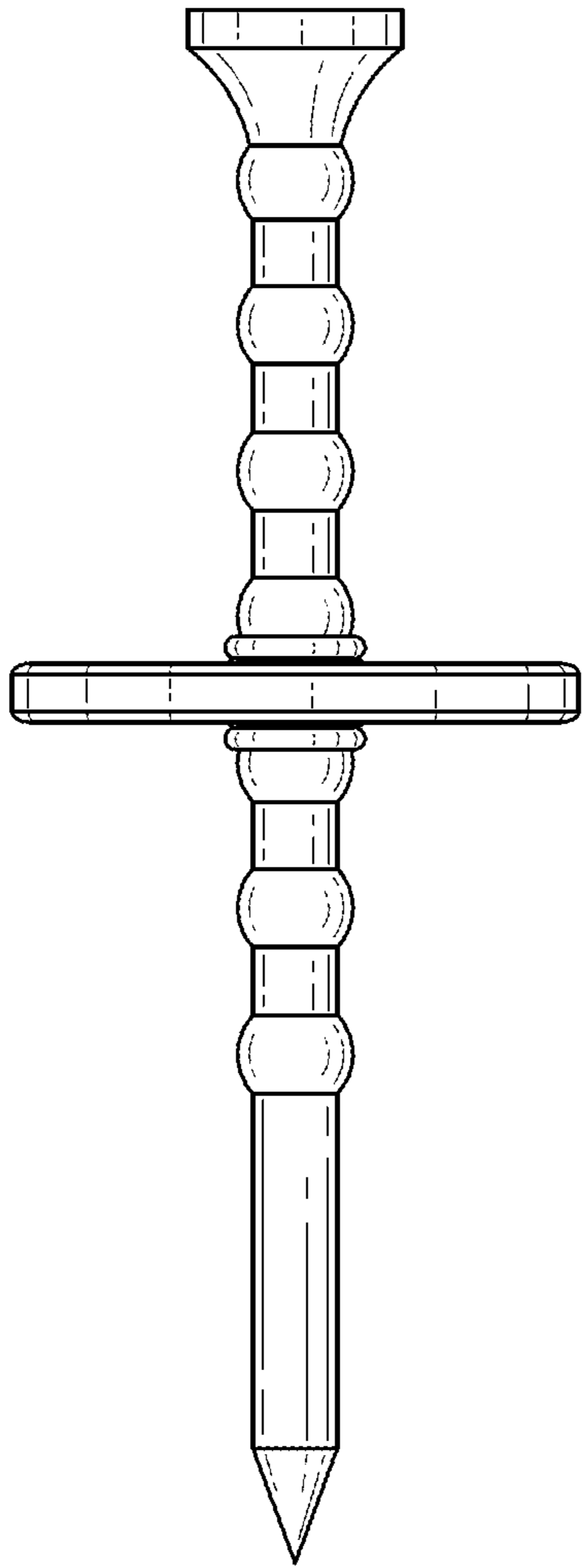


FIG. 3

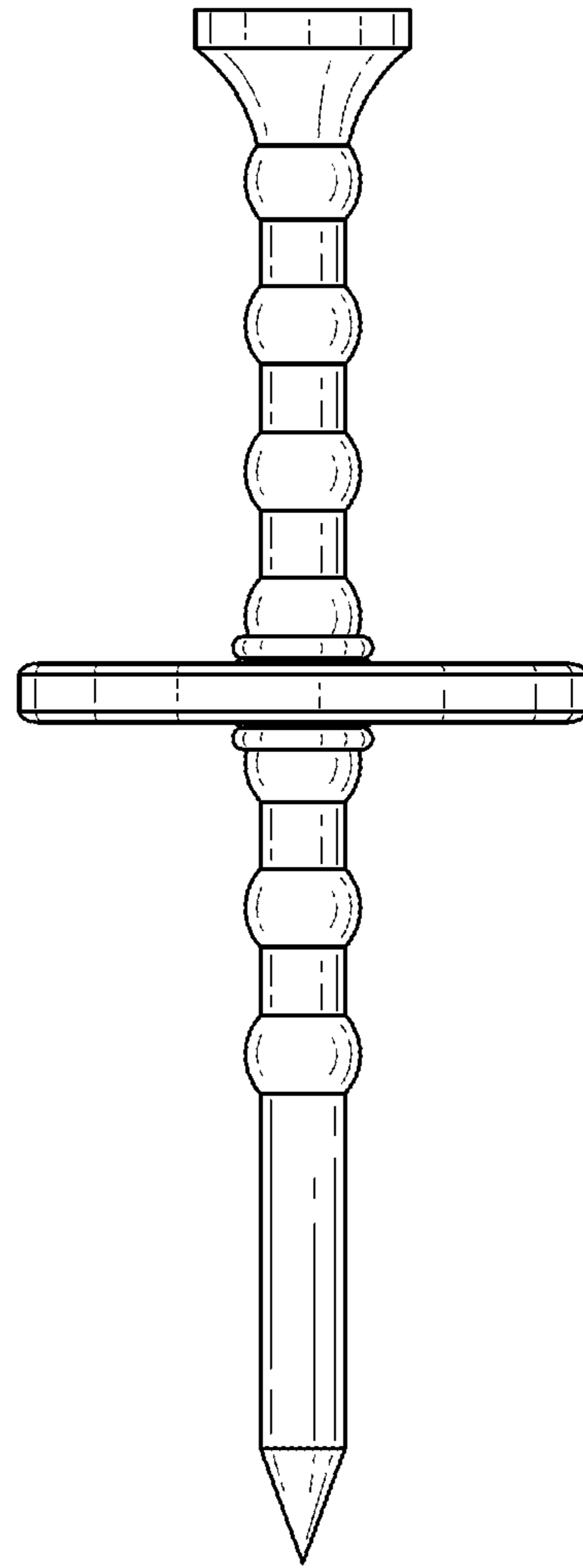


FIG. 4

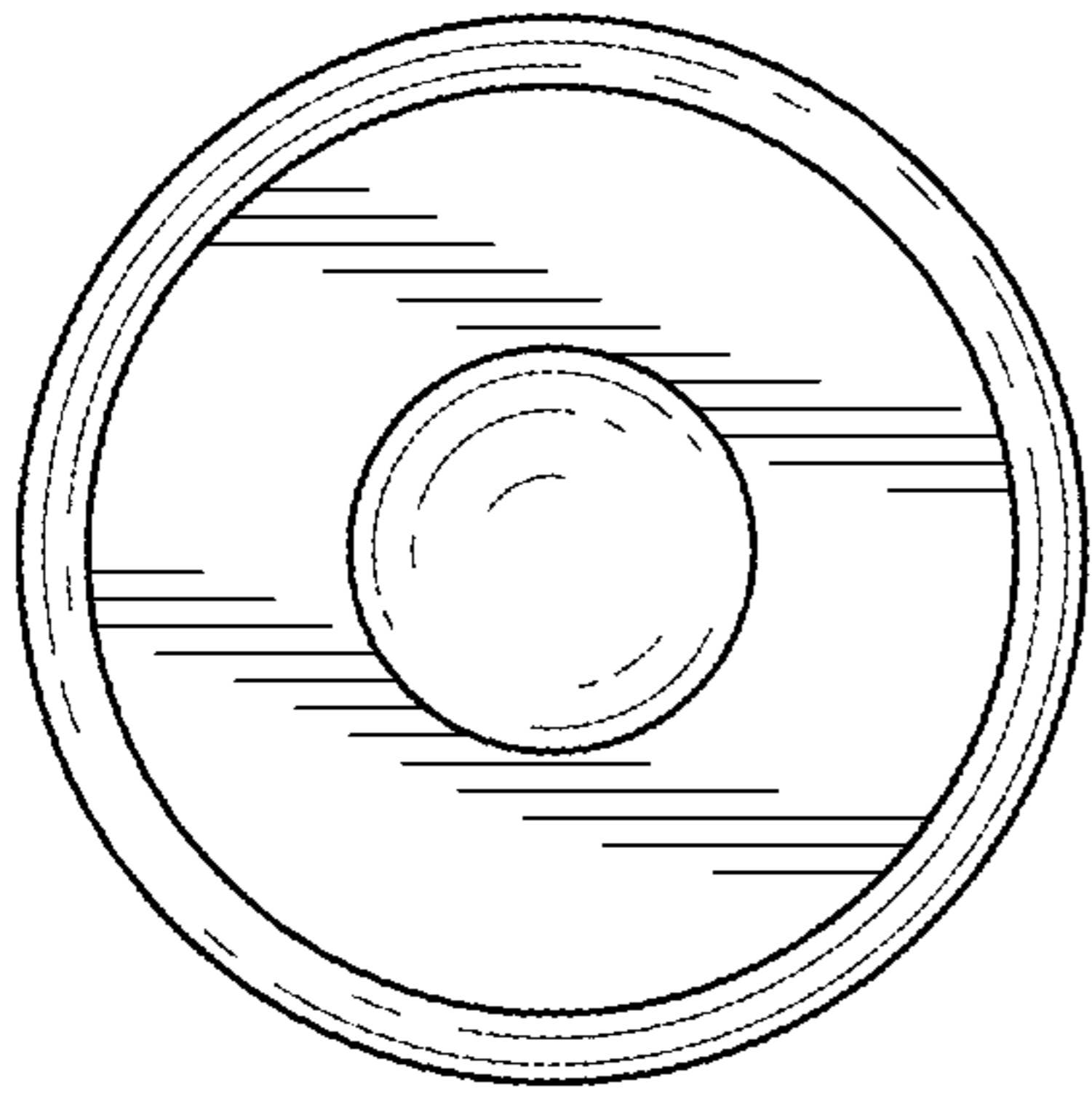


FIG. 5

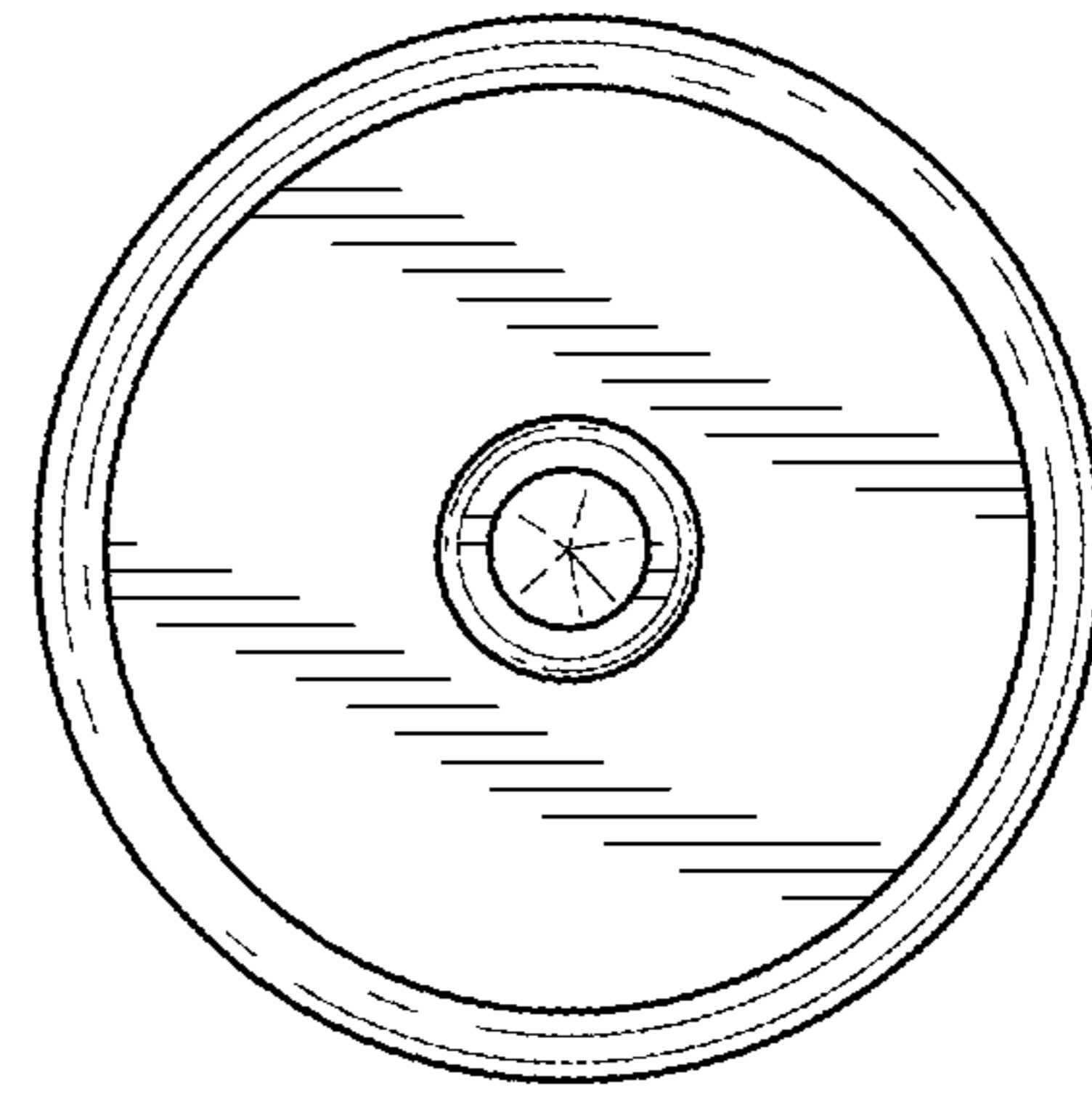


FIG. 6

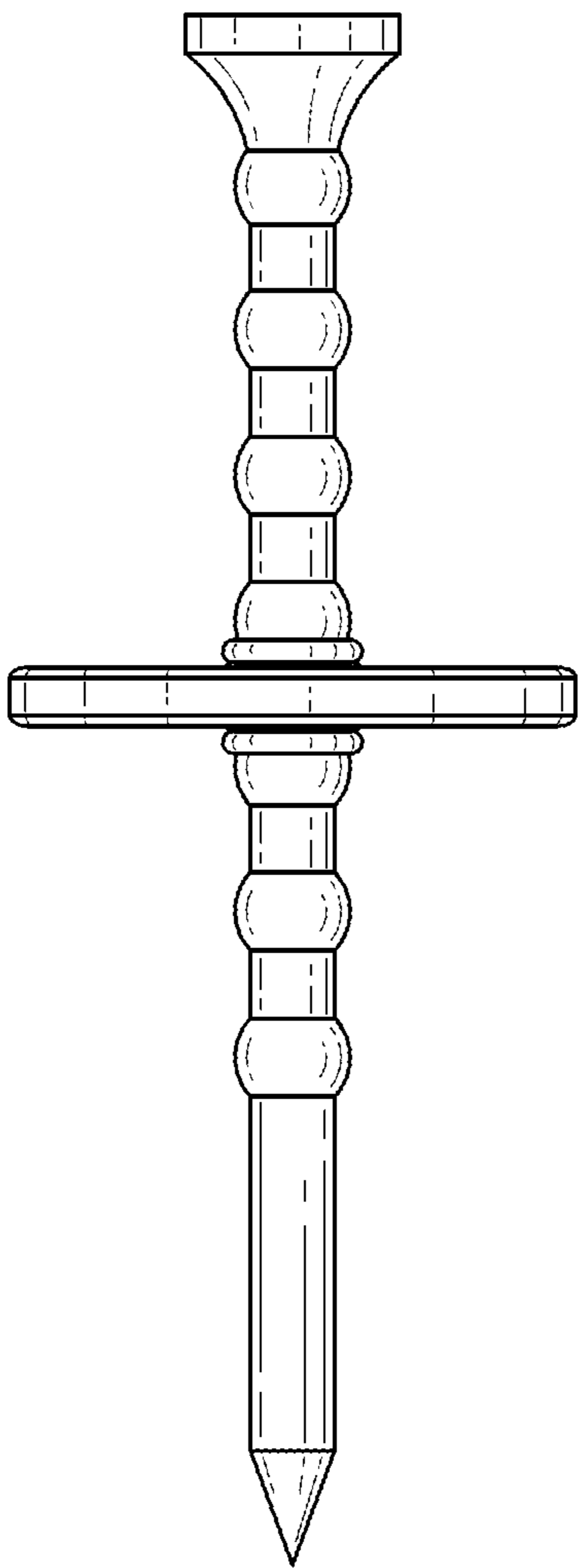


FIG. 7

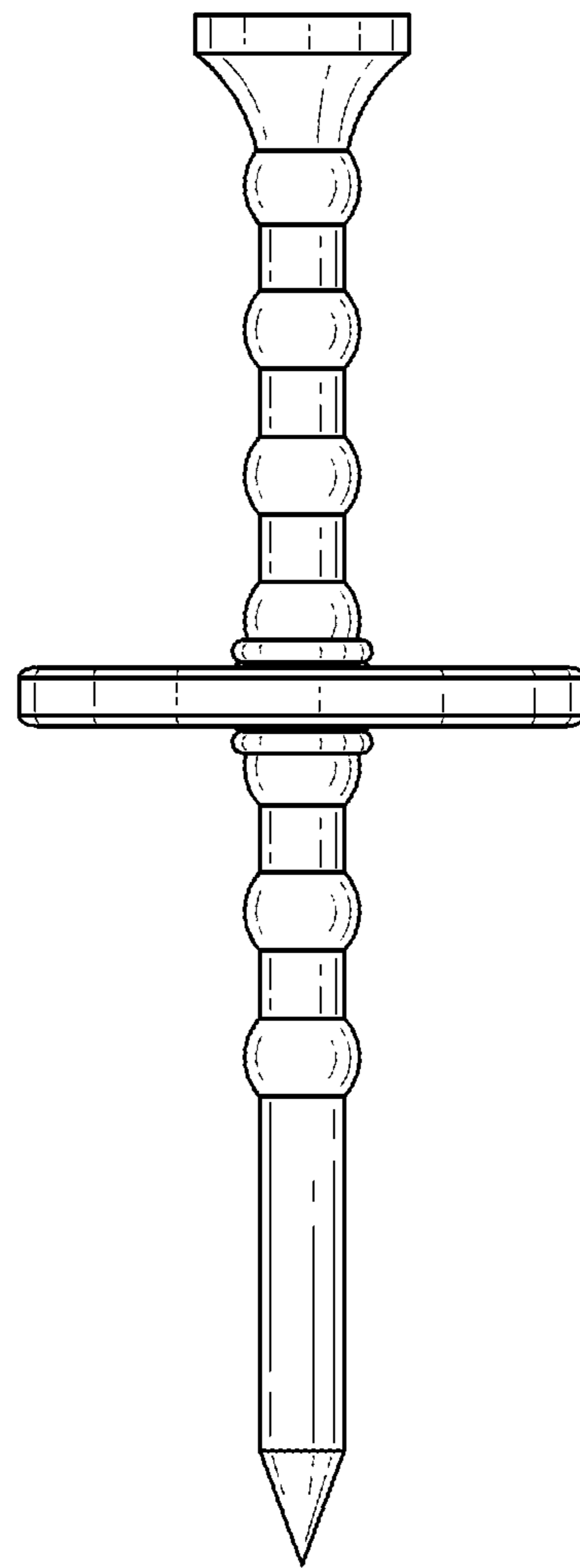


FIG. 8