



US00D939034S

(12) **United States Design Patent** (10) **Patent No.:** **US D939,034 S**
Leier et al. (45) **Date of Patent:** **** Dec. 21, 2021**

(54) **HOUSING PORTION OF AN EXERCISE DEVICE**

(71) Applicant: **Expectations, LLC**, Bonney Lake, WA (US)

(72) Inventors: **Christopher H. Leier**, Lake Tapps, WA (US); **Nicholas M. Soller**, Edgewood, WA (US); **Darrin M. Swagel**, Minnetonka, MN (US)

(73) Assignee: **Expectations, LLC**, Bonney Lake, WA (US)

(**) Term: **15 Years**

(21) Appl. No.: **29/722,546**

(22) Filed: **Jan. 30, 2020**

(51) **LOC (13) Cl.** **21-02**

(52) **U.S. Cl.**
USPC **D21/694**

(58) **Field of Classification Search**
USPC D21/694, 663, 664, 697, 696, 686, 419, D21/432, 435, 667, 666, 668, 690, 676, D21/691, 662, 675, 687, 695; D12/108, D12/109, 111, 112, 113, 124, 178, 411, D12/345, 117, 133, 402, 407, 416, 432, D12/538, 663, 664, 667, 694, 695, 697, D12/824

See application file for complete search history.

(56) **References Cited**

U.S. PATENT DOCUMENTS

D438,580 S *	3/2001	Shaw	D21/663
D446,266 S *	8/2001	Lin	D21/663
D475,424 S *	6/2003	Lee	D21/694
D482,084 S *	11/2003	Yang	D21/663
D482,416 S *	11/2003	Yang	D21/663
D484,931 S *	1/2004	Tsai	D21/694
D575,836 S *	8/2008	Hsiao	D21/668
D793,494 S *	8/2017	Mansfield	D21/668

(Continued)

OTHER PUBLICATIONS

GoPlus elliptical, announced 2018[online], [site visited Jun. 29, 2021], Available on internet, URL:https://www.amazon.com/GoPlus-Elliptical-Resistance-Adjustable-Stabilization/dp/B07JC2G2WB/ref=pd_di_sccai_5/144-0061852-2128965?pd_rd_w=ztcaR&pf_rd_p=c9443270-b914-4430-a90b-72e3e7e784e0&pf_rd_r=VF0W20GF8N40ZZ0F6ETB&pd_rd_r=74cc3f24-b6de-4bc4-90c1-b53a358476d3&pd_rd_wg=Q756W&pd_rd_i=B07JC2G2WB&psc=1 (Year: 2018).*

(Continued)

Primary Examiner — Khawaja Anwar

Assistant Examiner — Julice Seung Eun Oum

(74) *Attorney, Agent, or Firm* — Dicke, Billig & Czaja, PLLC

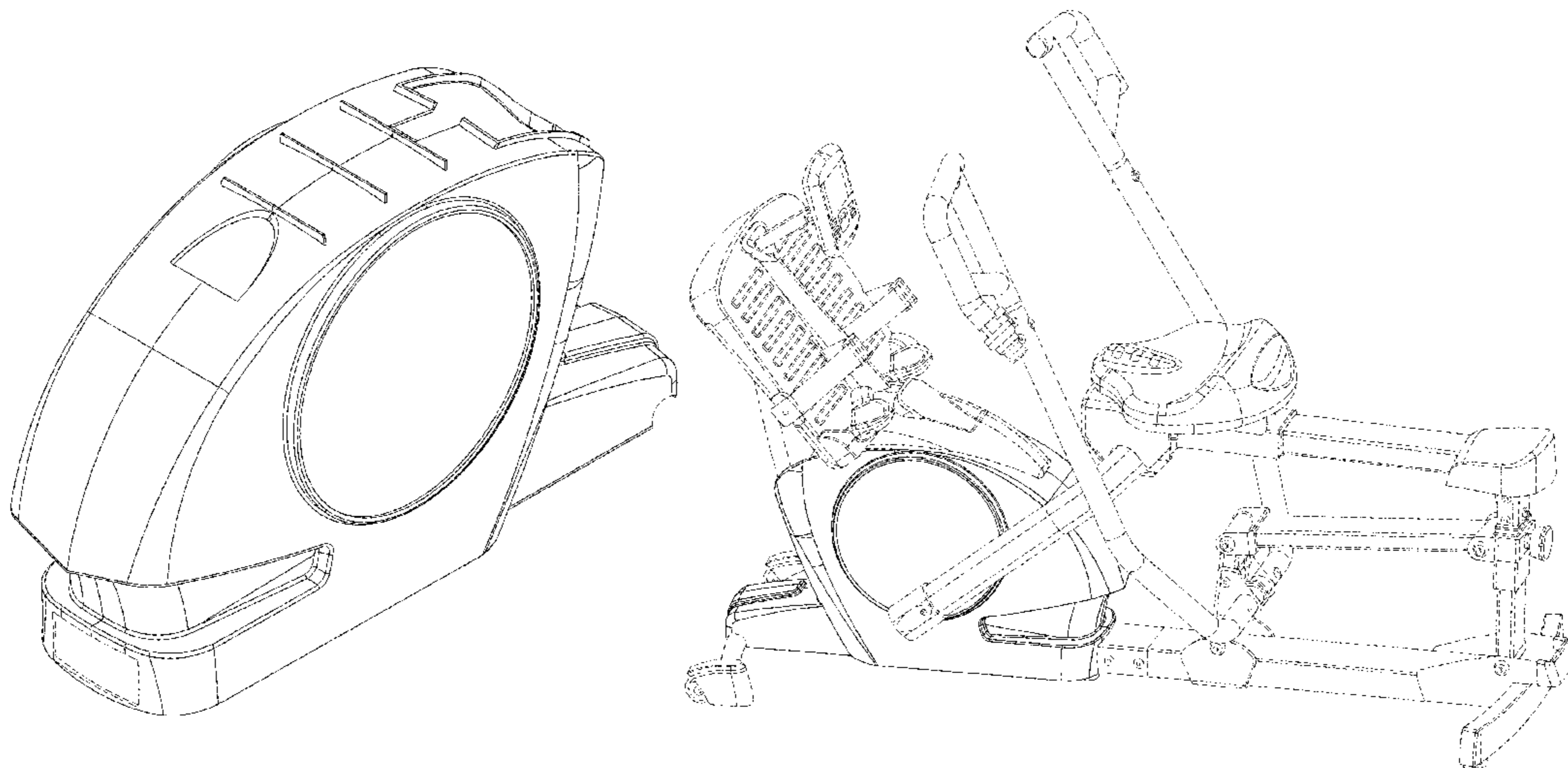
(57) **CLAIM**

The ornamental design for a housing portion of an exercise device, as shown and described herein.

DESCRIPTION

FIG. 1 is a front elevational view of a housing portion of an exercise device showing my new design; FIG. 2 is a rear elevational view thereof; FIG. 3 is a left side elevational view thereof; FIG. 4 is a right side elevational view thereof; FIG. 5 is a top plan view thereof; FIG. 6 is a bottom plan view thereof; FIG. 7 is a perspective view thereof; and, FIG. 8 is a perspective view thereof on an exercise device. Those portions of the housing portion of an exercise device shown in broken lines are included for illustrative purposes only and form no part of the claimed design. Those portions of the exercise device shown in broken lines are included to denote nature and environmental use of the claimed design and form no part of the claimed design.

1 Claim, 8 Drawing Sheets



(56)

References Cited

U.S. PATENT DOCUMENTS

D906,445 S * 12/2020 Colburn A63B 21/225
D21/663
D907,143 S * 1/2021 Ach D21/663
2021/0308519 A1 * 10/2021 Leier A63B 22/0087

OTHER PUBLICATIONS

Desk cycle, announced 2019[online], [site visited Jun. 29, 2021], Available on internet, URL:https://www.amazon.com/DeskCycle-Ellipse-Under-Elliptical-Black/dp/B07MBQ19Z2/ref=sr_1_2_sspa?dchild=1&keywords=desk+cycle&qid=1624984771&s=sporting-goods&sr=1-2-spons&psc=1&spLa=ZW5jcnlwdGVkUXVhbGlmaWVyPUExVksZUIFFNkNXVkfYJmVuY3J5cHRIZEIkPUEwNjU2NDg5ODJMSjNUT05NN1UmZW5jcnlwdGVkQWRJZD1BMDQ1MzkxNTI4VH0SIZSQk43WDlmd2lkZ2V0TmFtZT1zcF9hdGYmYWN0aW9uPWNsaWNrUmVkaXJlY3QmZG9Ob3Rmb2dDbGlja z10cnVI (Year: 2019).*

Teeter; FreeStep Elliptical Recumbent Cross Trainer Assembly Instructions & User Guide; 19 pages; 2017.

Teeter; FreeStep Recumbent Cross Trainer screengrab; 5 pages; accessed Dec. 17, 2019; <https://teeter.com/product/freestep/#specs>.

* cited by examiner

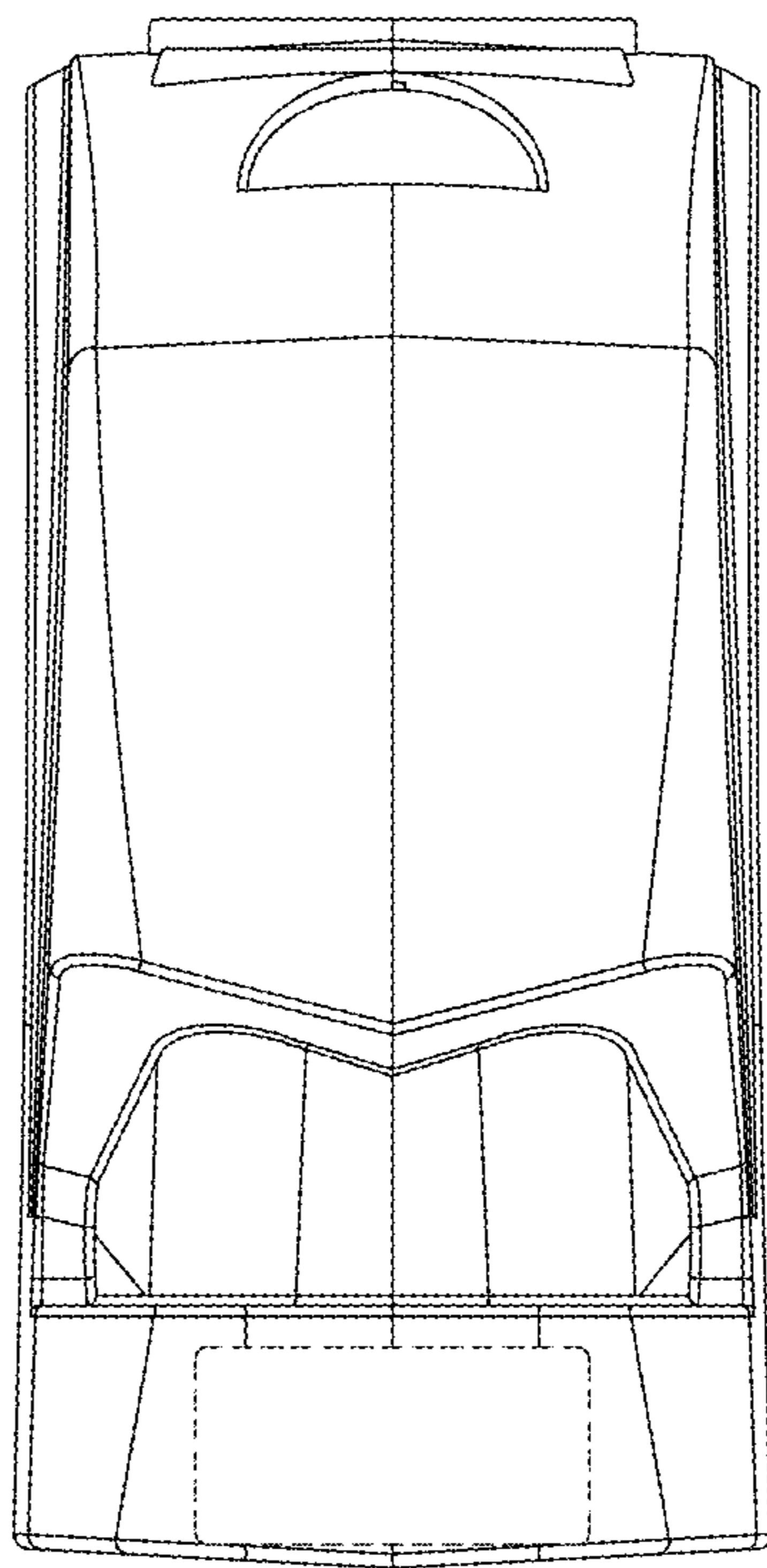


FIG. 1

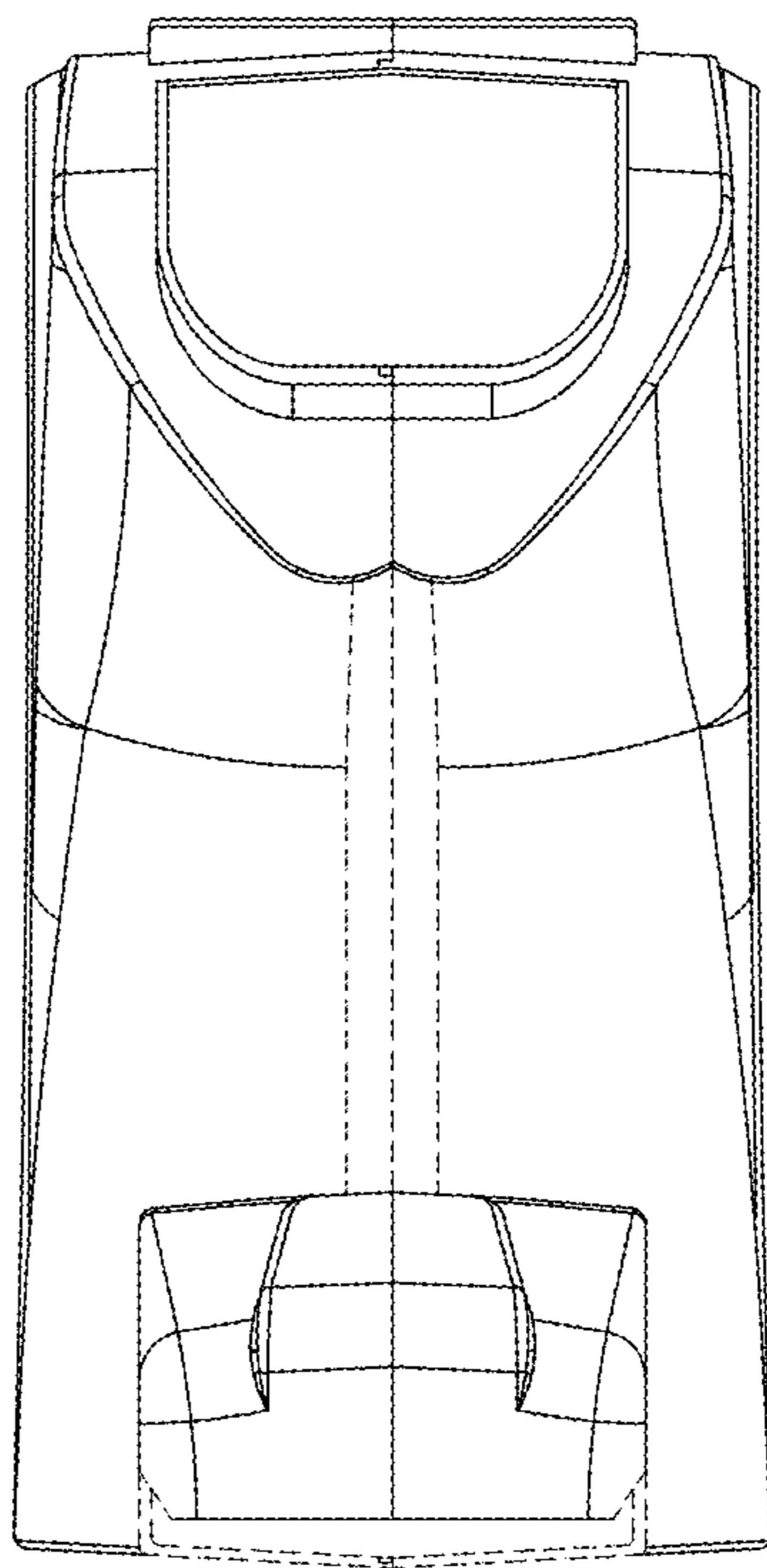


FIG. 2

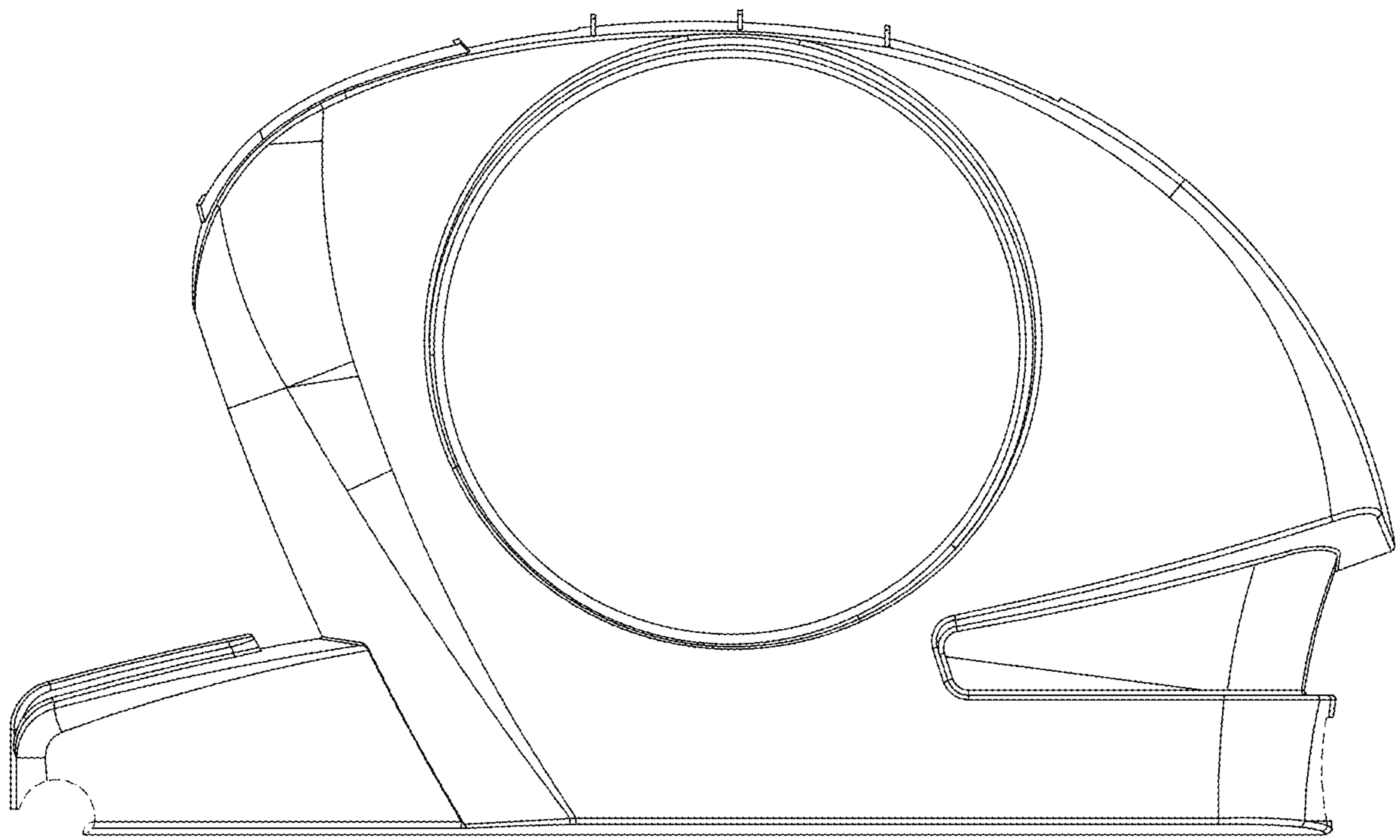


FIG. 3

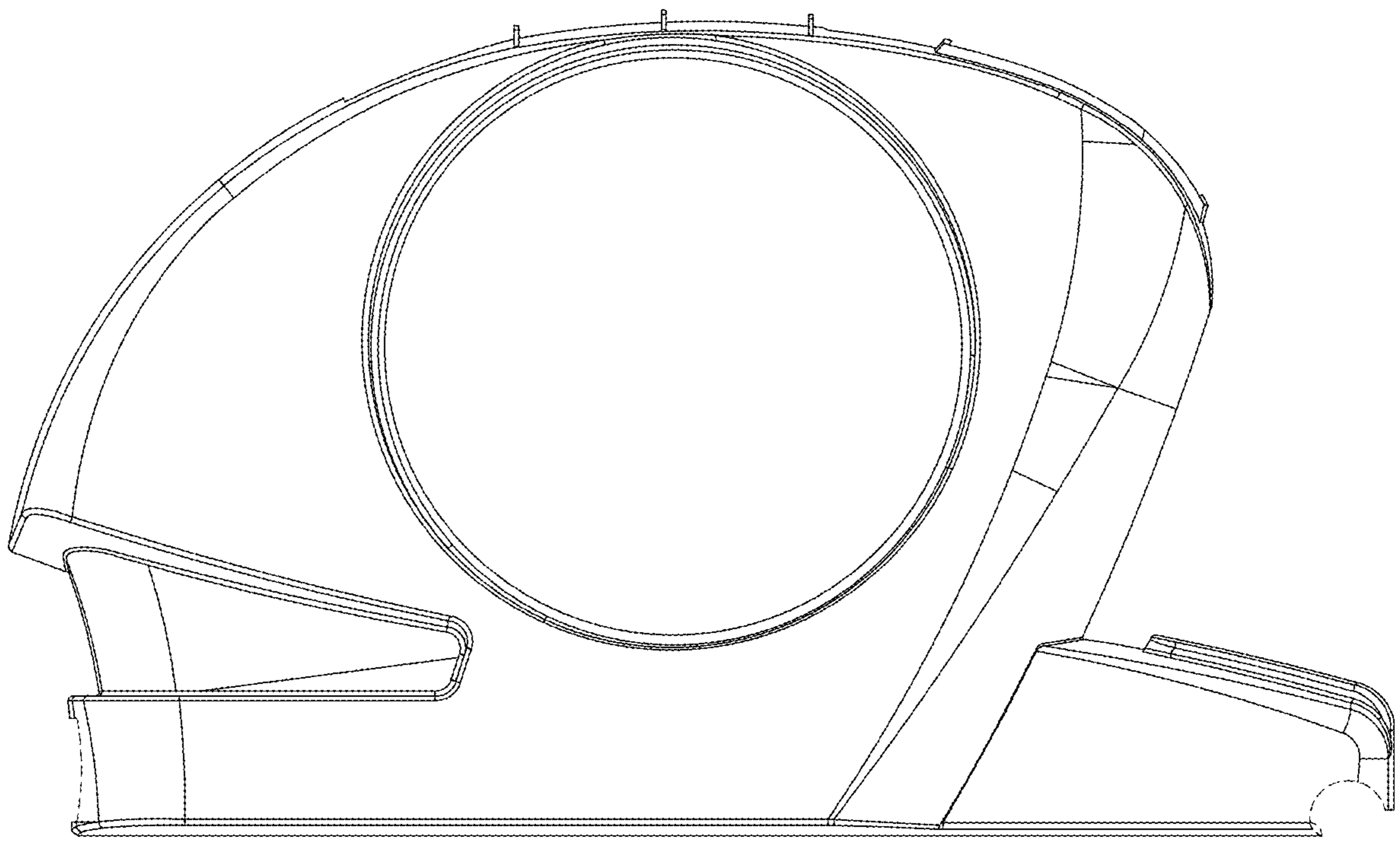


FIG. 4

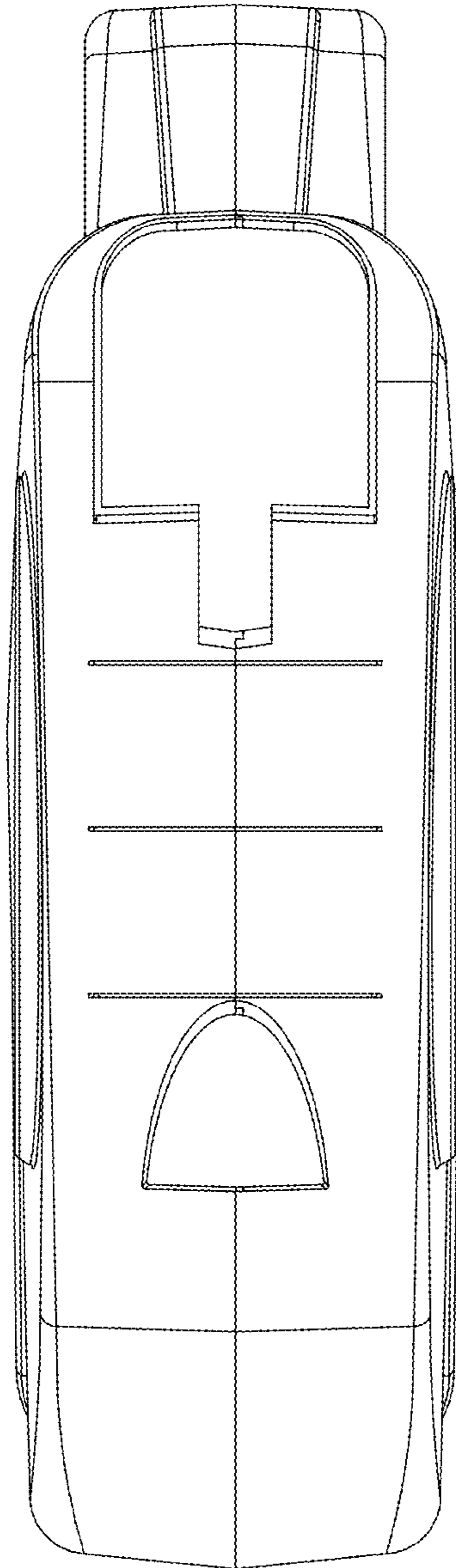


FIG. 5

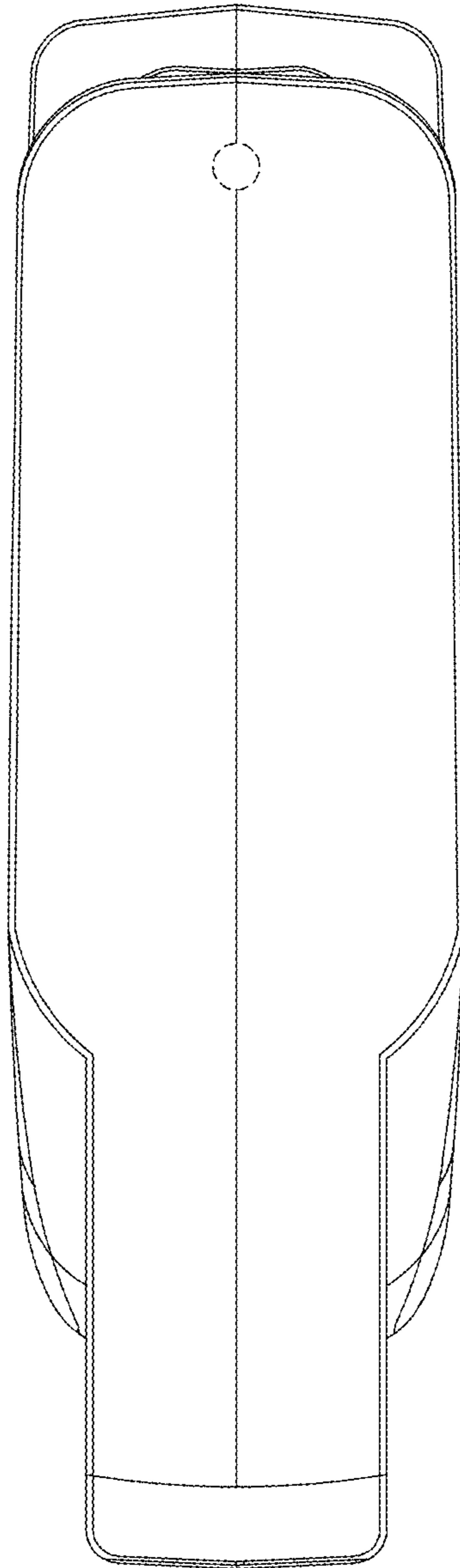


FIG. 6

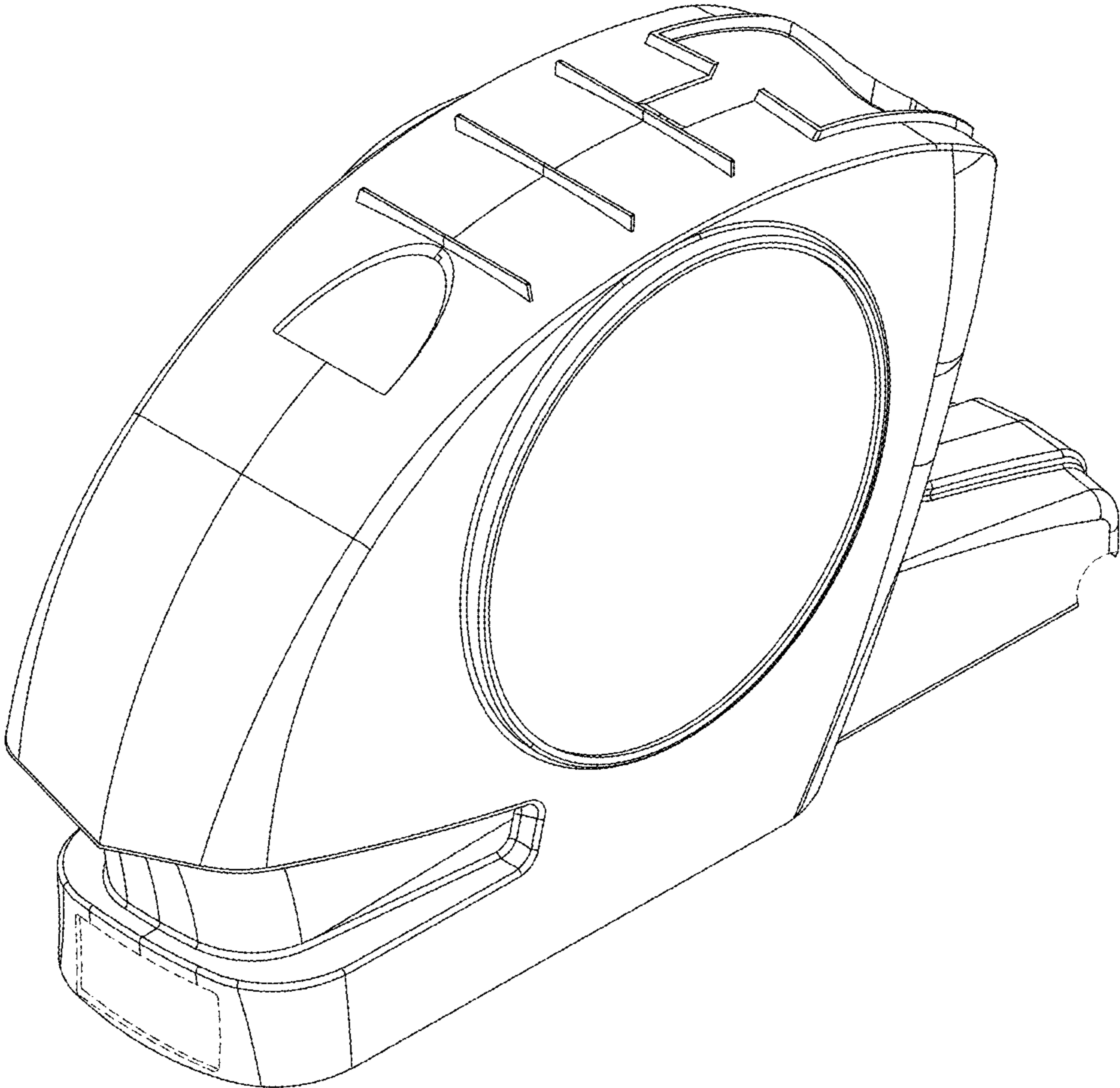


FIG. 7

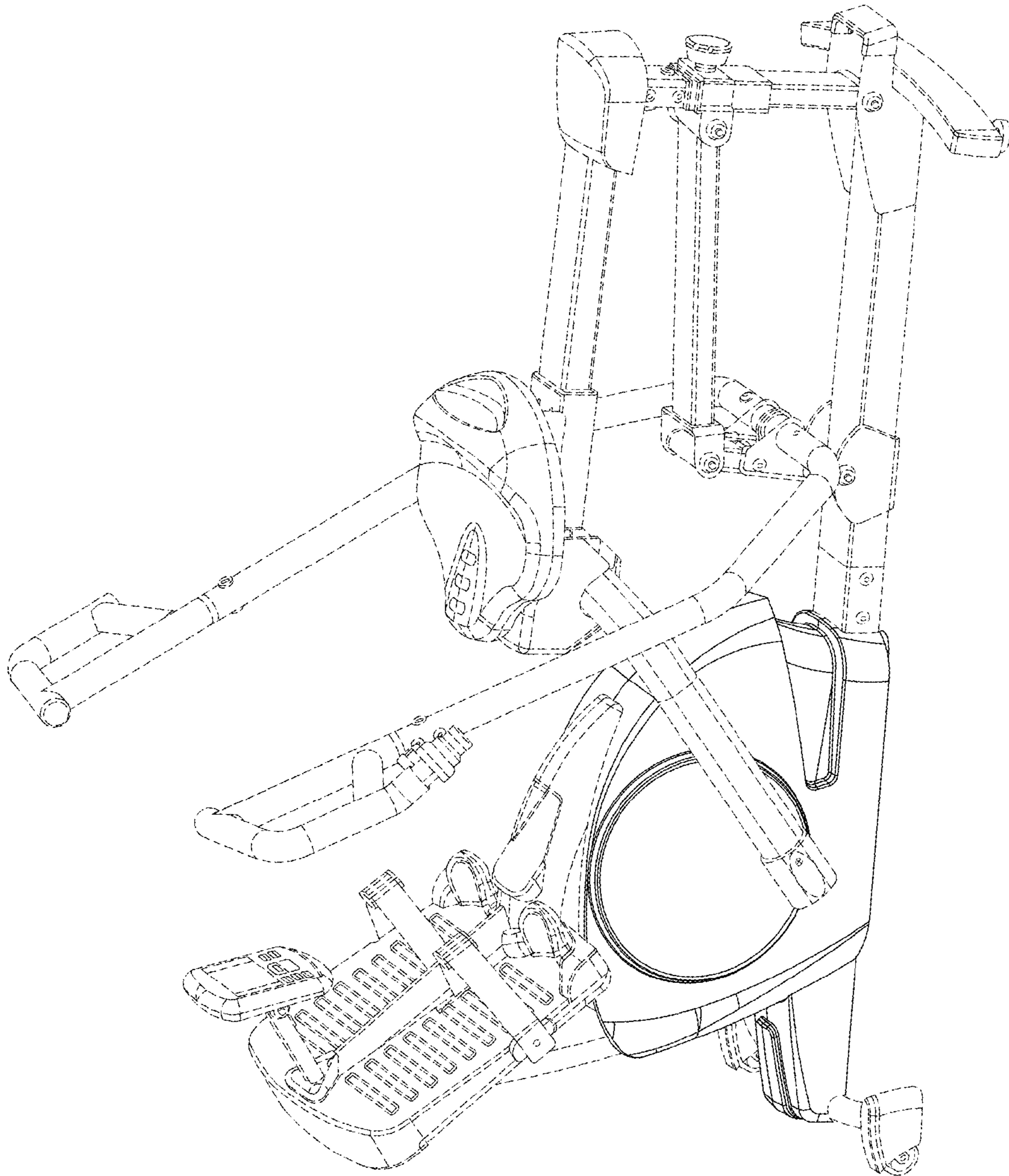


FIG. 8