



US00D939033S

(12) **United States Design Patent**
McGrotty et al.

(10) **Patent No.:** **US D939,033 S**

(45) **Date of Patent:** **** Dec. 21, 2021**

(54) **ADJUSTABLE WEIGHT BENCH**

(71) Applicant: **Rep Fitness, LLC**, Boulder, CO (US)

(72) Inventors: **Ryan James McGrotty**, Erie, CO (US);
Samuel M. Pizer, Denver, CO (US)

(73) Assignee: **Rep Fitness, LLC**, Boulder, CO (US)

(**) Term: **15 Years**

(21) Appl. No.: **29/740,821**

(22) Filed: **Jul. 7, 2020**

(51) **LOC (13) Cl.** **21-02**

(52) **U.S. Cl.**
USPC **D21/690**

(58) **Field of Classification Search**

USPC D21/687, 690, 662; D6/334, 342, 349,
D6/352, 353, 354, 373, 377, 652.2, 653,
D6/653.1, 657, 659, 668, 668.2, 671.1,
D6/675, 684, 705.1

CPC A47C 11/00; A47C 3/18; A47C 7/628;
A47C 15/004; A47C 31/113; A47C 3/40;
A47C 7/006; A47C 7/748; A47C 11/005;

(Continued)

(56) **References Cited**

U.S. PATENT DOCUMENTS

4,207,879 A 6/1980 Safadago et al.
4,468,025 A 8/1984 Sferle

(Continued)

FOREIGN PATENT DOCUMENTS

EP 0208208 1/1987
GB 2195090 3/1988

OTHER PUBLICATIONS

BENQ Medical Technology Corp., TriMax 650NS Series brochure, 2015, <http://www.xcelsitas.com/index.php/selected2/trimax-650ns-series.html>, 6 pages.

Primary Examiner — Khawaja Anwar

Assistant Examiner — Julice Seung Eun Oum

(74) *Attorney, Agent, or Firm* — Merchant & Gould P.C.

(57) **CLAIM**

The ornamental design for an adjustable weight bench, as shown.

DESCRIPTION

FIG. 1 is a perspective view of an adjustable weight bench showing our new design having support components in first positions.

FIG. 2 is a right elevation view of the adjustable weight bench of FIG. 1.

FIG. 3 is a left elevation view of the adjustable weight bench of FIG. 1.

FIG. 4 is a top plan view of the adjustable weight bench of FIG. 1.

FIG. 5 is a bottom plan view of the adjustable weight bench of FIG. 1.

FIG. 6 is a front elevation view of the adjustable weight bench of FIG. 1.

FIG. 7 is a rear elevation view of the adjustable weight bench of FIG. 1.

FIG. 8 is a perspective view of the adjustable weight bench of FIG. 1 with the support components in second positions.

FIG. 9 is a right elevation view of the adjustable weight bench of FIG. 8.

FIG. 10 is a left elevation view of the adjustable weight bench of FIG. 8.

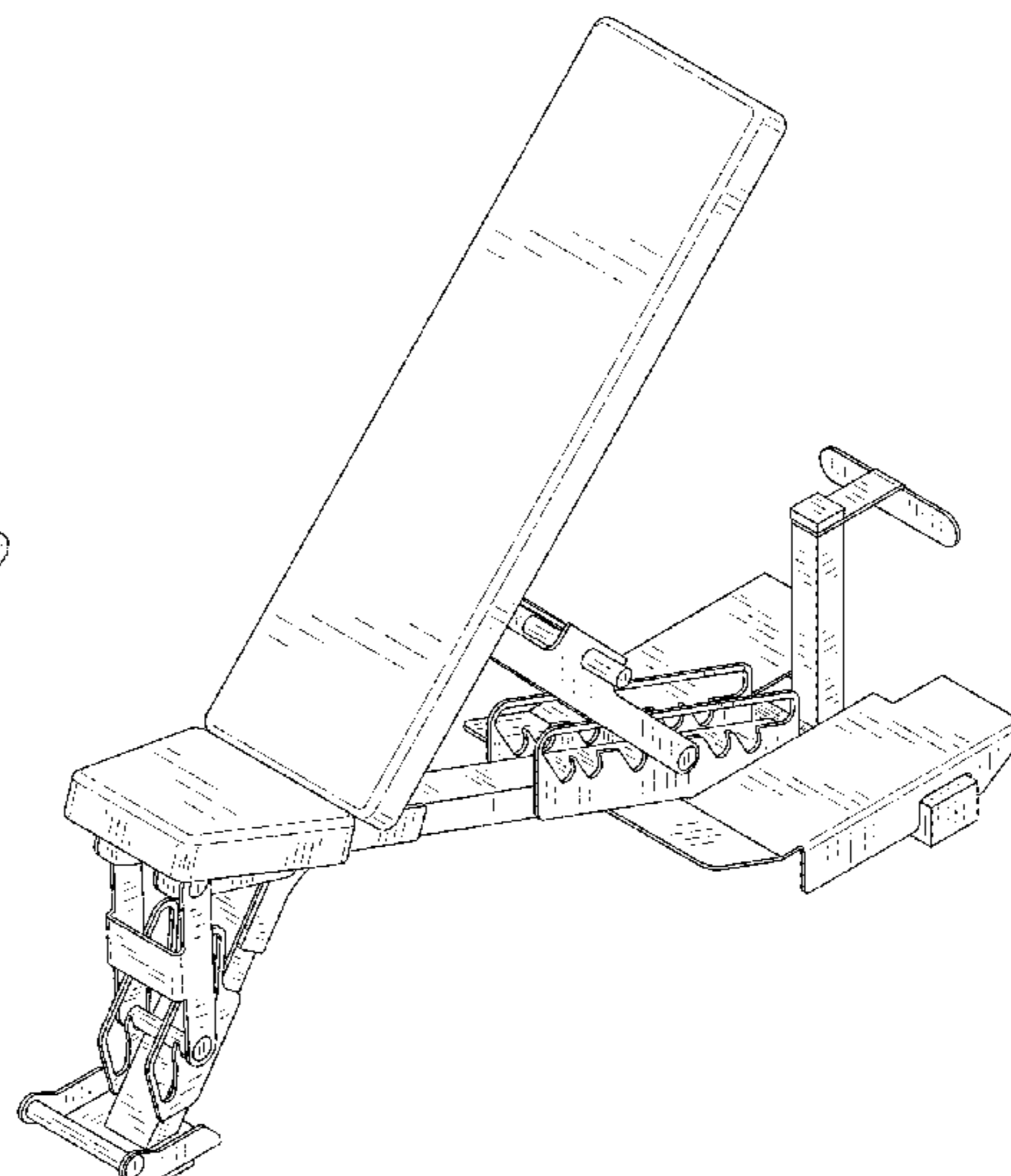
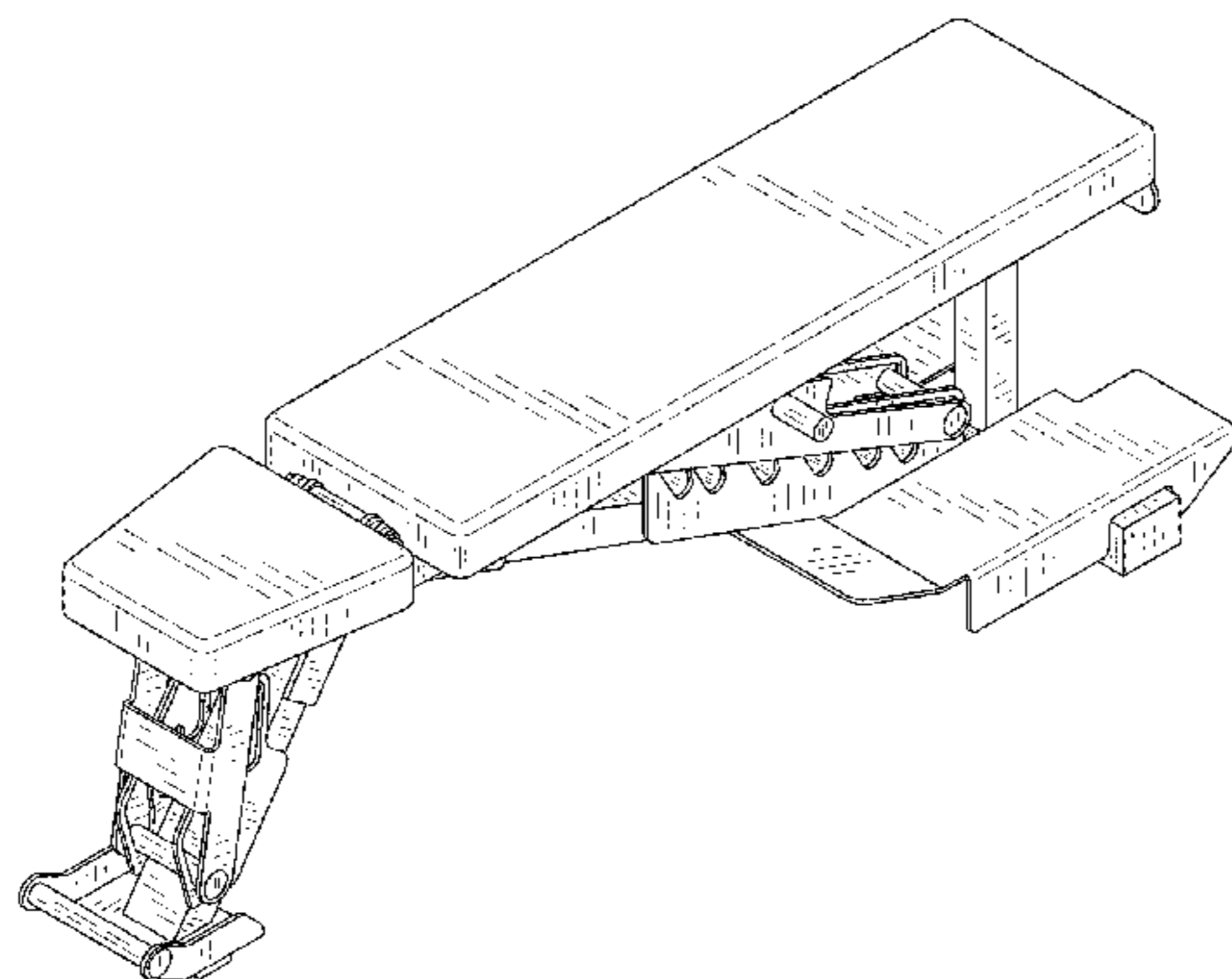
FIG. 11 is a top plan view of the adjustable weight bench of FIG. 8.

FIG. 12 is a bottom plan view of the adjustable weight bench of FIG. 8.

FIG. 13 is a front elevation view of the adjustable weight bench of FIG. 8; and,

FIG. 14 is a rear elevation view of the adjustable weight bench of FIG. 8.

1 Claim, 13 Drawing Sheets



(58) **Field of Classification Search**

CPC A47C 13/00; A47C 16/04; A47C 17/165;
 A47C 17/38; A47C 17/52; A47C 17/58;
 A47C 19/22; A47C 1/032; A47C
 1/03294; A47C 1/034; A47C 1/0305;
 A47C 1/14; A47C 1/143; A47C 21/003;
 A47C 31/007; A47C 3/36; A47C 4/04;
 A47C 4/12; A47C 4/28; A47C 7/002;
 A47C 7/02; A47C 7/028; A47C 7/38;
 A47C 7/50; A47C 7/5062; A47C 7/541;
 A47C 7/566; A47C 7/622; A47C 7/624;
 A47C 7/626; A47C 7/664; A47C 7/68;
 A47C 7/705; A47C 7/725; A47C 7/727;
 A47C 7/742; A47C 7/744; A47C 9/002;
 A47C 9/10; A47B 39/00; A47B 3/14;
 A47B 83/024; A47B 2220/07; A47B
 13/10; A47B 2003/145; A47B 2021/068;
 A47B 21/06; A47B 2200/0035; A47B
 2200/004; A47B 2200/005; A47B 39/06;
 A47B 3/02; A47B 3/08; A47B 3/10;
 A47B 83/008; A47B 85/04; A47B 85/06;
 A63B 21/4029; A63B 2225/09; A63B
 21/078; A63B 2210/50; A63B 71/0036;
 A63B 2225/093; A63B 2071/025; A63B
 2208/0233; A63B 21/0726; A63B
 23/0211; A63B 2023/006; A63B
 21/00047; A63B 21/0442; A63B 21/4039;
 A63B 21/4047; A63B 2208/0242; A63B
 2208/0252; A63B 2210/00; A63B 47/00;
 A63B 2022/0652; A63B 21/0552; A63B
 21/4033; A63B 21/4034; A63B 21/4035;
 A63B 2208/0204; A63B 2209/00; A63B
 2220/17; A63B 2220/80; A63B 2225/682;
 A63B 23/0216; A63B 23/0233; A63B
 23/03541; A63B 23/0405; A63B 23/1218;
 A63B 71/0619; A63B 71/0622; A63B
 1/00; A63B 2022/0641; A63B 2023/003;
 A63B 2069/0062; A63B 2071/0655;
 A63B 21/00061; A63B 21/00065; A63B
 21/00069; A63B 21/00178; A63B
 21/0023; A63B 21/0058; A63B 21/015;
 A63B 21/055; A63B 21/0557; A63B
 21/06; A63B 21/0628; A63B 21/072;
 A63B 21/0724; A63B 21/151; A63B
 21/156; A63B 21/225; A63B 21/4015;
 A63B 21/4043; A63B 21/4045; A63B
 21/4049; A63B 2208/0214; A63B
 2208/0247; A63B 2208/0285; A63B
 2208/0295; A63B 2209/10; A63B
 2210/06; A63B 2220/51; A63B 2220/802;
 A63B 2220/833; A63B 2225/105; A63B
 2225/20; A63B 2225/30; A63B 2225/50;
 A63B 2225/685; A63B 22/0002; A63B

22/0005; A63B 22/0007; A63B 22/0012;
 A63B 22/0056; A63B 22/0605; A63B
 22/16; A63B 22/203; A63B 23/00; A63B
 23/02; A63B 23/0222; A63B 23/0227;
 A63B 23/03558; A63B 23/0417; A63B
 23/0458; A63B 23/0482; A63B 23/1209;
 A63B 23/1227; A63B 24/0003; A63B
 26/00; A63B 26/003; A63B 63/00; A63B
 69/0057; A63B 71/00; A63B 71/06;
 B25H 1/04; B25H 1/16; B25H 1/005;
 B25H 1/06; B25H 1/12; B25H 1/14;
 B25H 3/02; B25H 5/00; A47G 29/20;
 A47G 29/141; A47G 23/0225; A47G
 9/0223; B65D 21/0204; B65D 25/04;
 B65D 43/16

See application file for complete search history.

(56)

References Cited

U.S. PATENT DOCUMENTS

D277,219	S *	1/1985	Johnson	D21/690
4,621,809	A	11/1986	Pearl		
4,911,501	A	3/1990	Decker		
5,370,595	A	12/1994	Voris et al.		
5,803,884	A	9/1998	Sharp		
D406,290	S *	3/1999	McBride	D21/690
D425,153	S *	5/2000	Grider	D21/676
6,287,243	B1 *	9/2001	Isom	A63B 21/078 482/104
D455,803	S *	4/2002	Webber	D21/686
6,371,896	B1	4/2002	Kettler		
6,605,023	B1 *	8/2003	Mobley	A63B 21/078 482/142
6,666,802	B1	12/2003	Rasmussen		
6,939,272	B1	9/2005	Wu		
6,966,872	B2	11/2005	Eschenbach		
7,153,249	B2	12/2006	O'Connor		
7,331,912	B2 *	2/2008	Keiser	A63B 21/4029 482/142
7,604,580	B2	10/2009	Lamarque		
9,022,911	B2	5/2015	Goldberg		
9,168,416	B2	10/2015	Ho		
9,707,438	B2 *	7/2017	Vorozilchak	A63B 21/0724
D806,809	S *	1/2018	Orellana	D21/687
D820,362	S *	6/2018	Citterio	D21/687
10,589,144	B2	3/2020	Specht		
D907,144	S *	1/2021	Zhao	D21/690
2003/0050157	A1	3/2003	Teuscher		
2006/0035772	A1 *	2/2006	Golesh	A63B 21/4031 482/142
2013/0113254	A1	5/2013	Augustat		
2016/0114204	A1 *	4/2016	Swanson	A63B 21/4029 482/142
2017/0259109	A1 *	9/2017	McJames, II	A63B 21/4033
2018/0206647	A1	7/2018	Kieryllo		
2019/0151699	A1 *	5/2019	Isom	A63B 21/00047

* cited by examiner

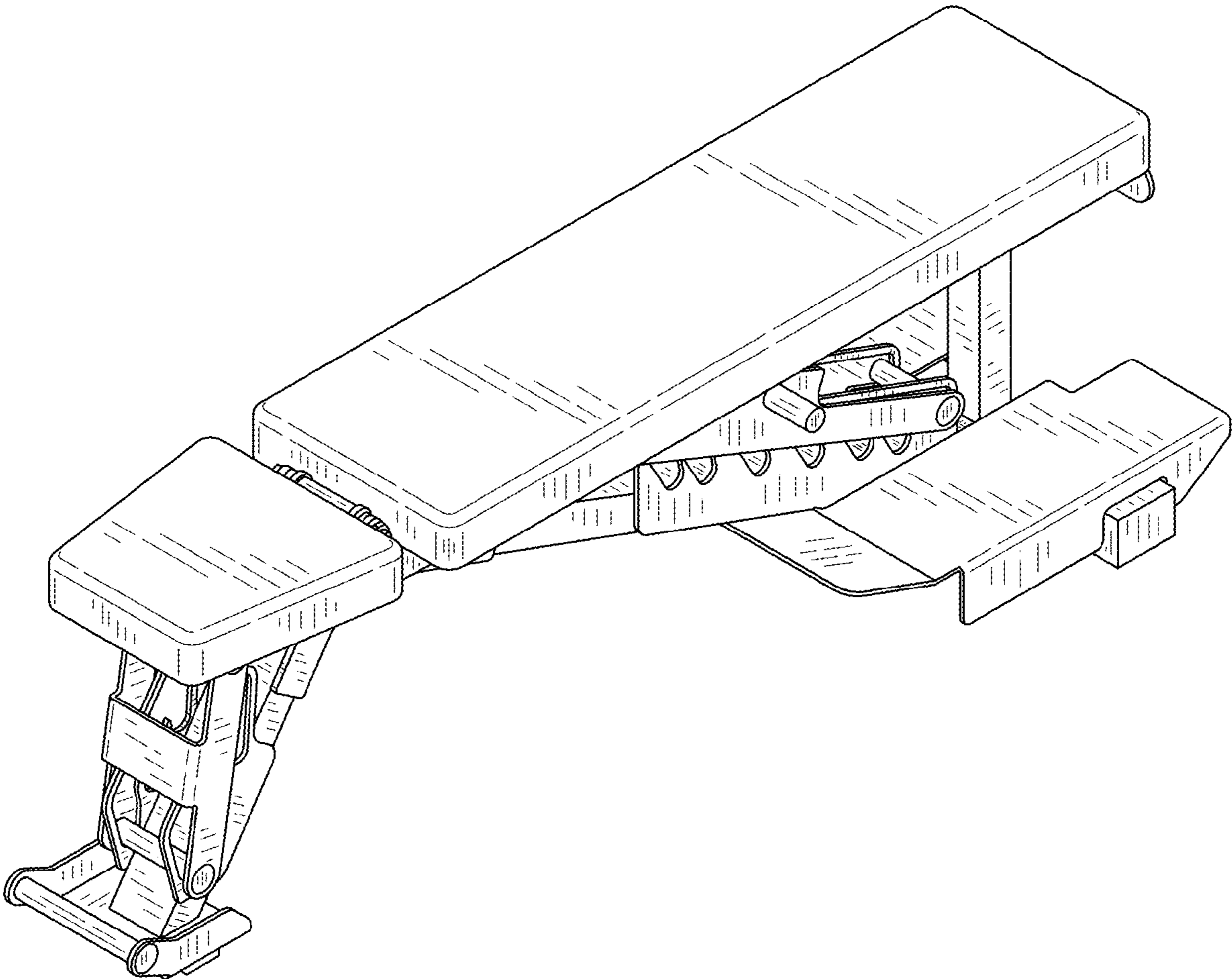


FIG.1

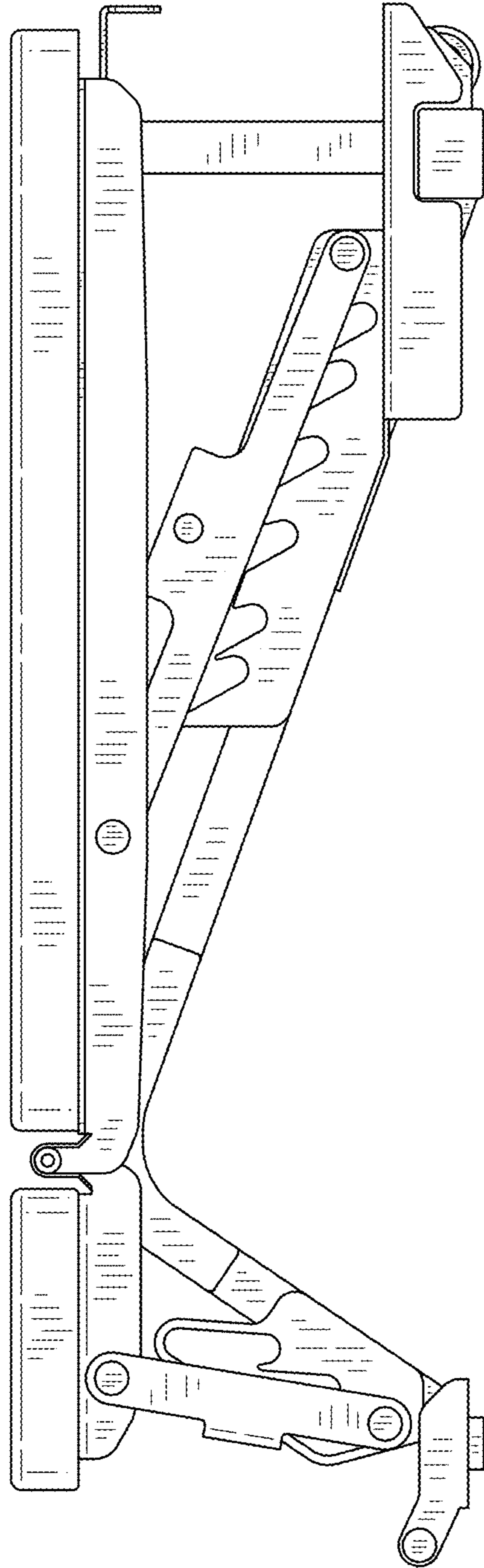


FIG.2

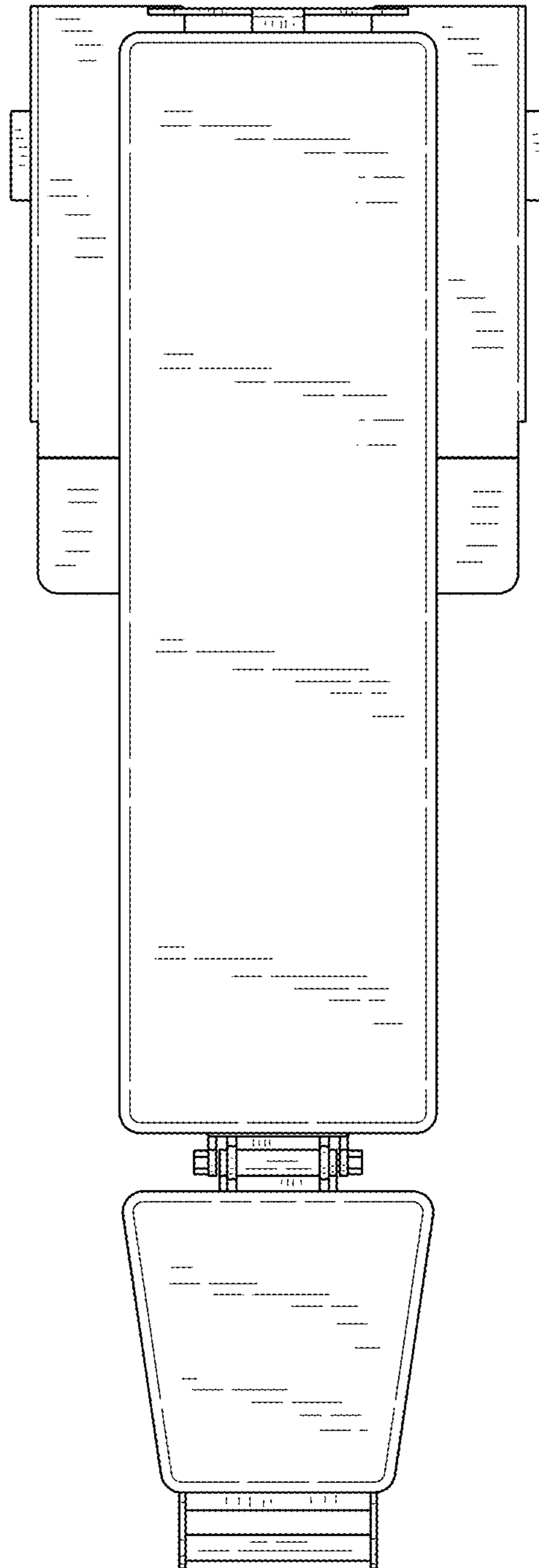


FIG.4

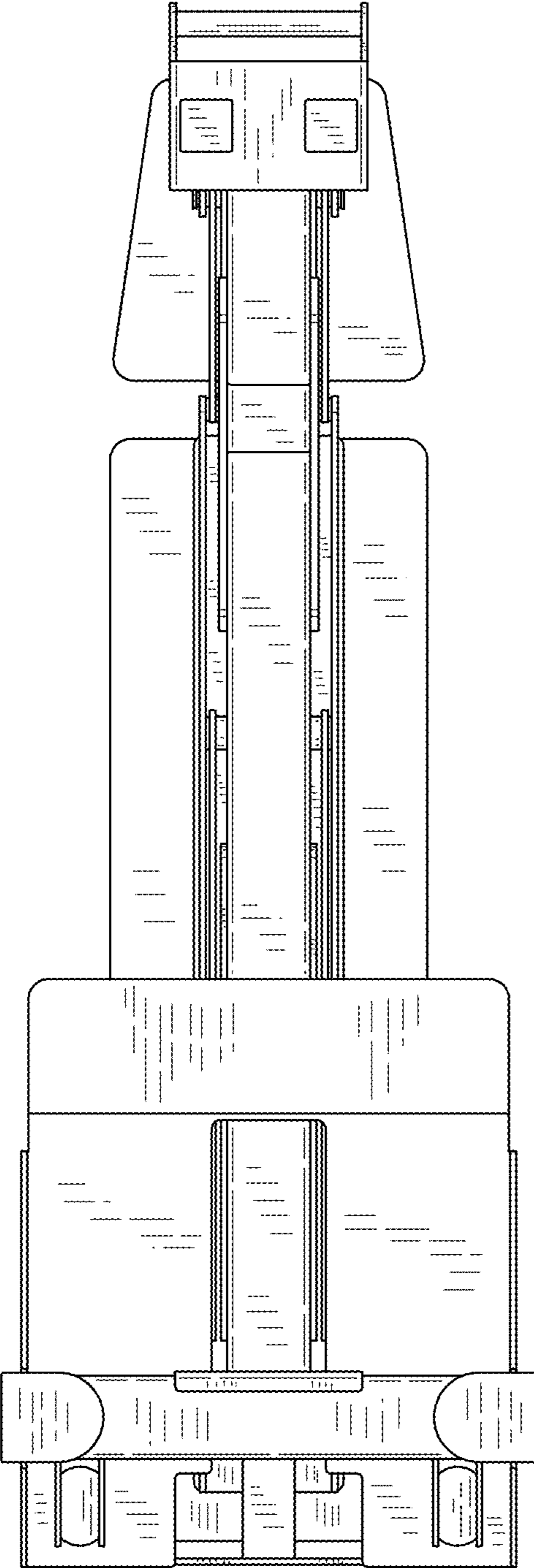


FIG.5

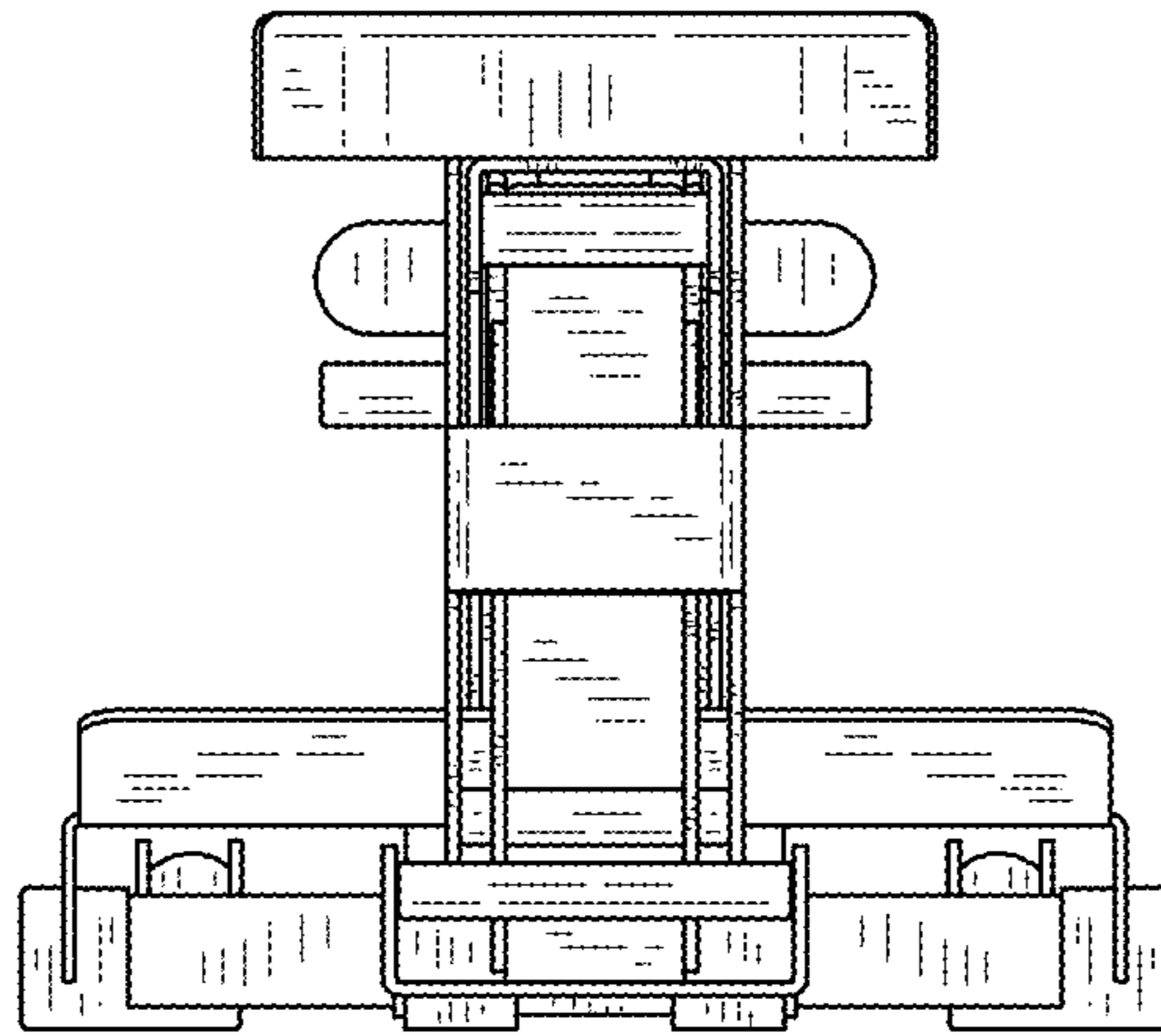


FIG.6

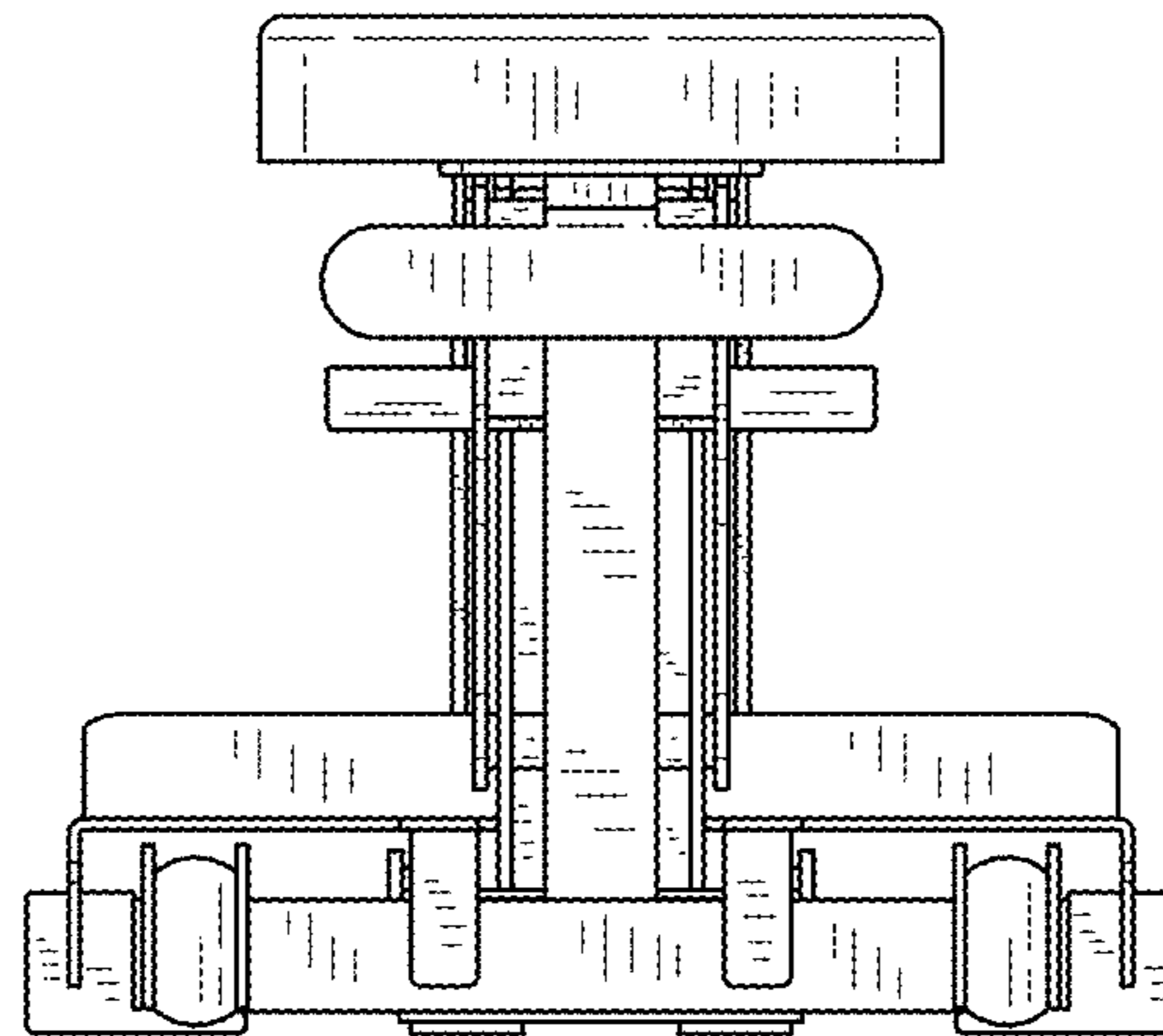


FIG.7

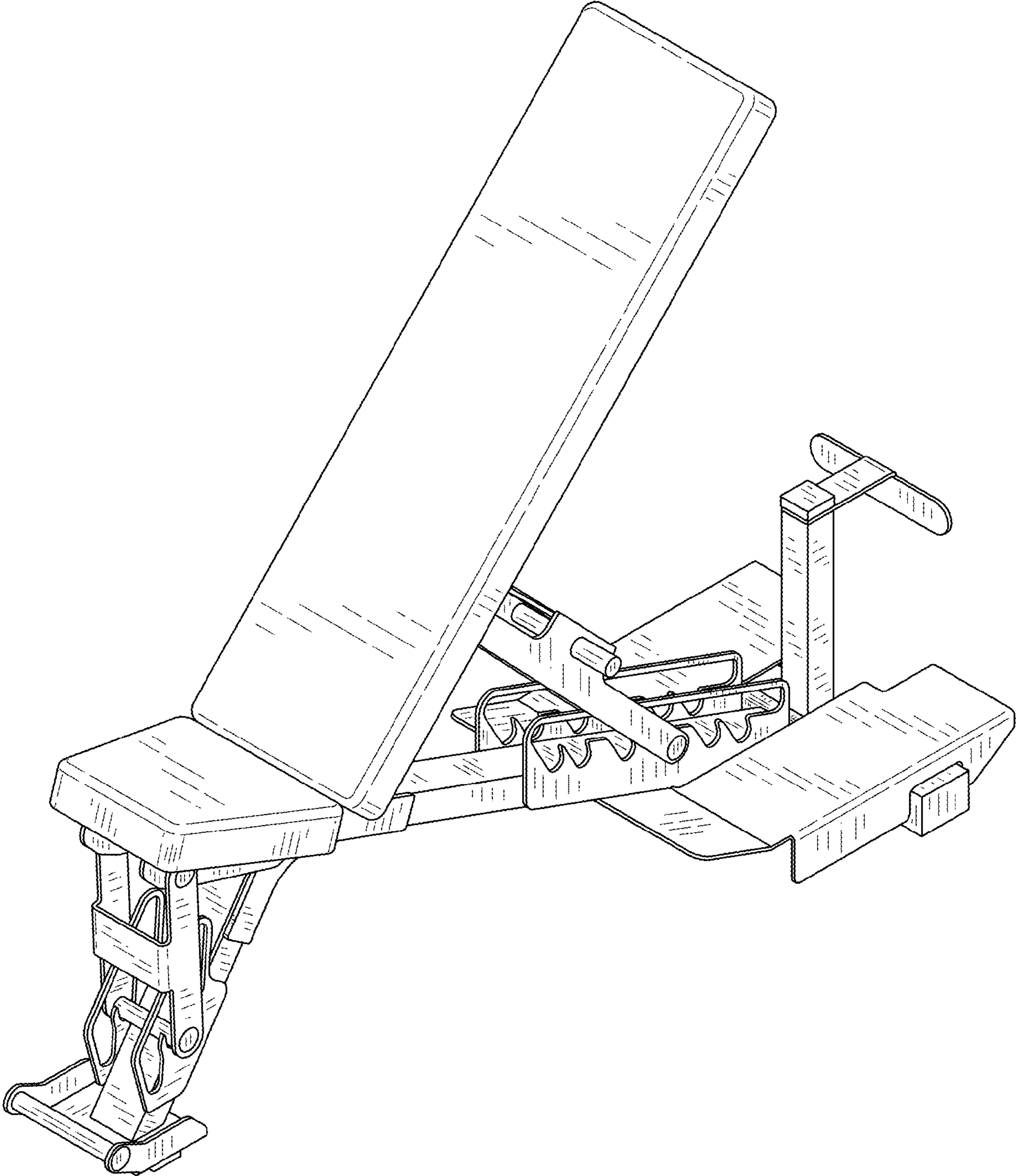


FIG.8

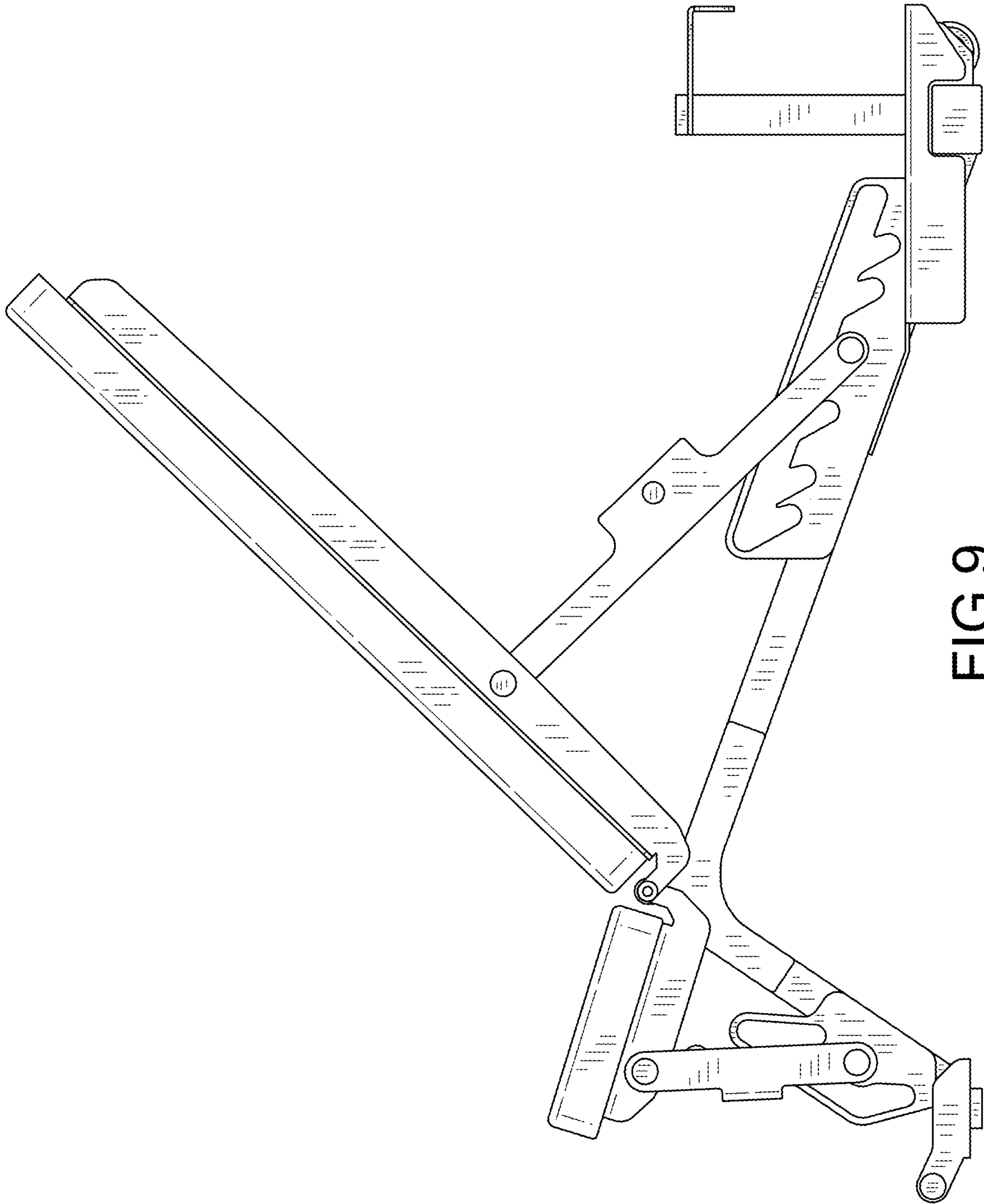


FIG. 9

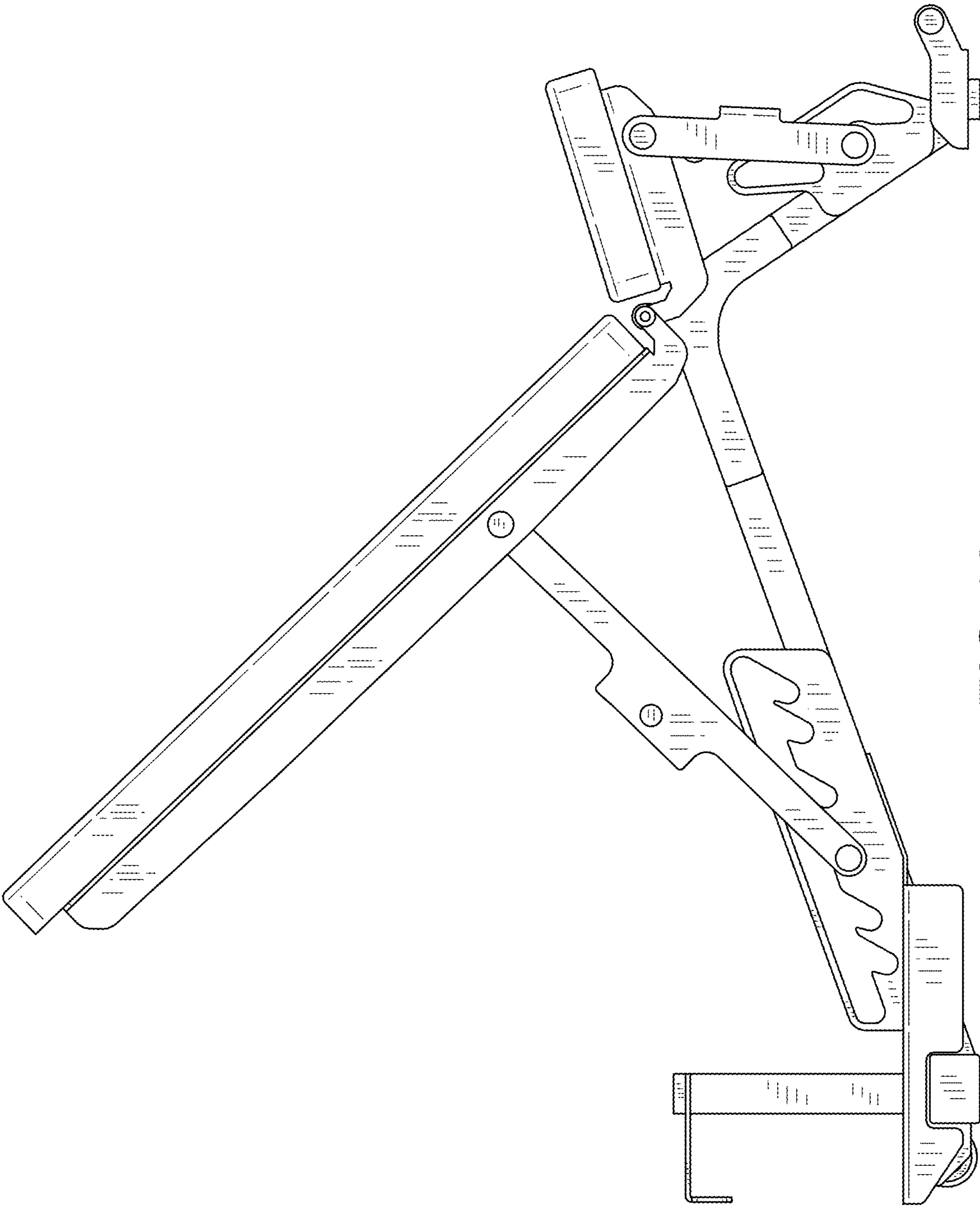


FIG.10

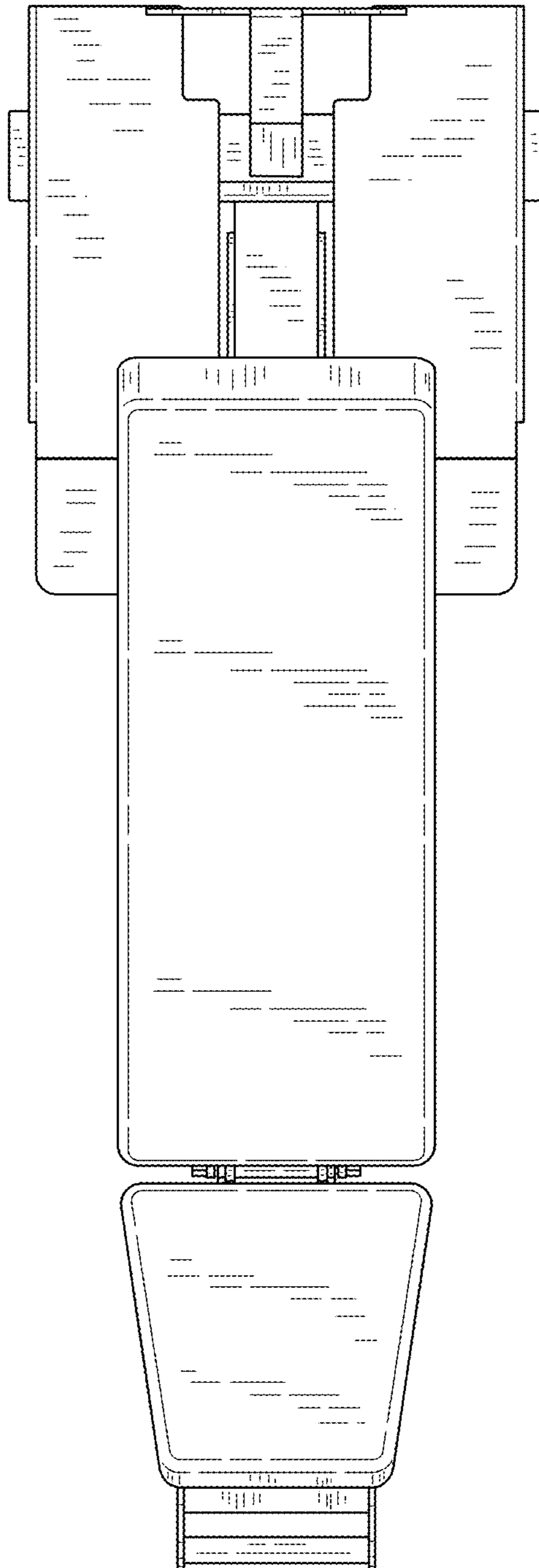


FIG.11

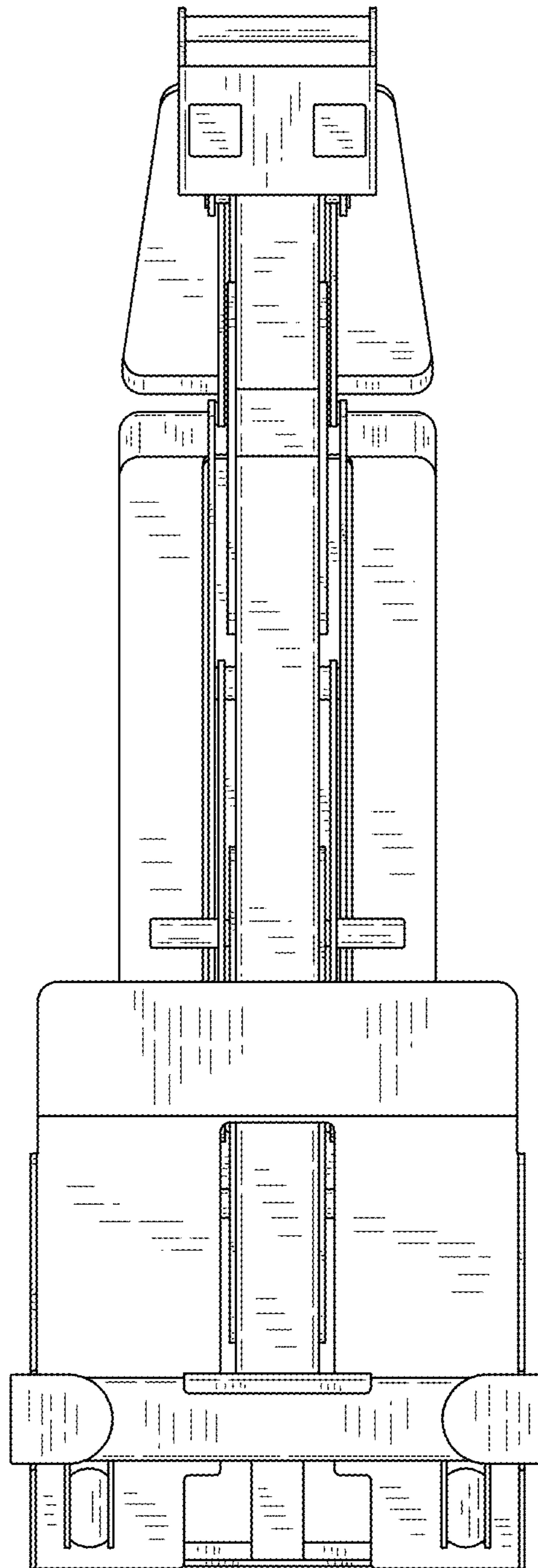


FIG.12

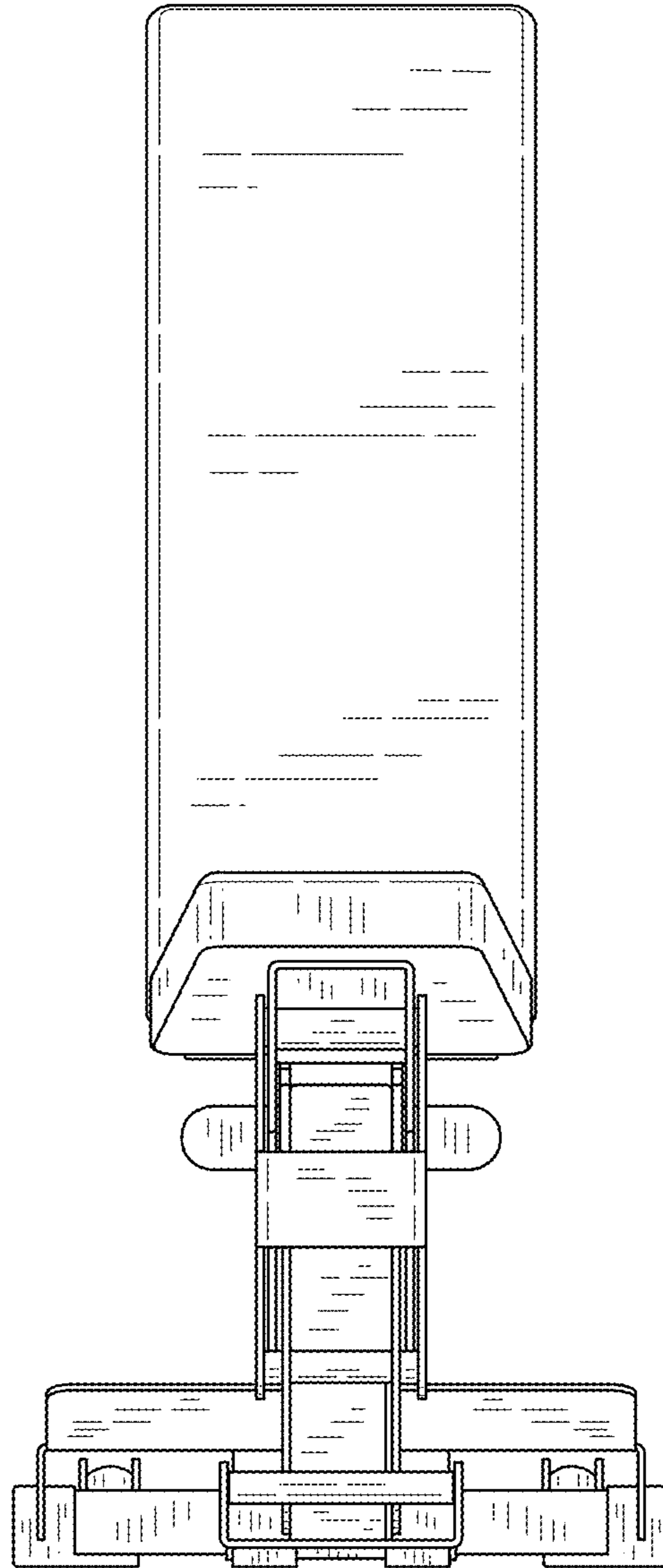


FIG.13

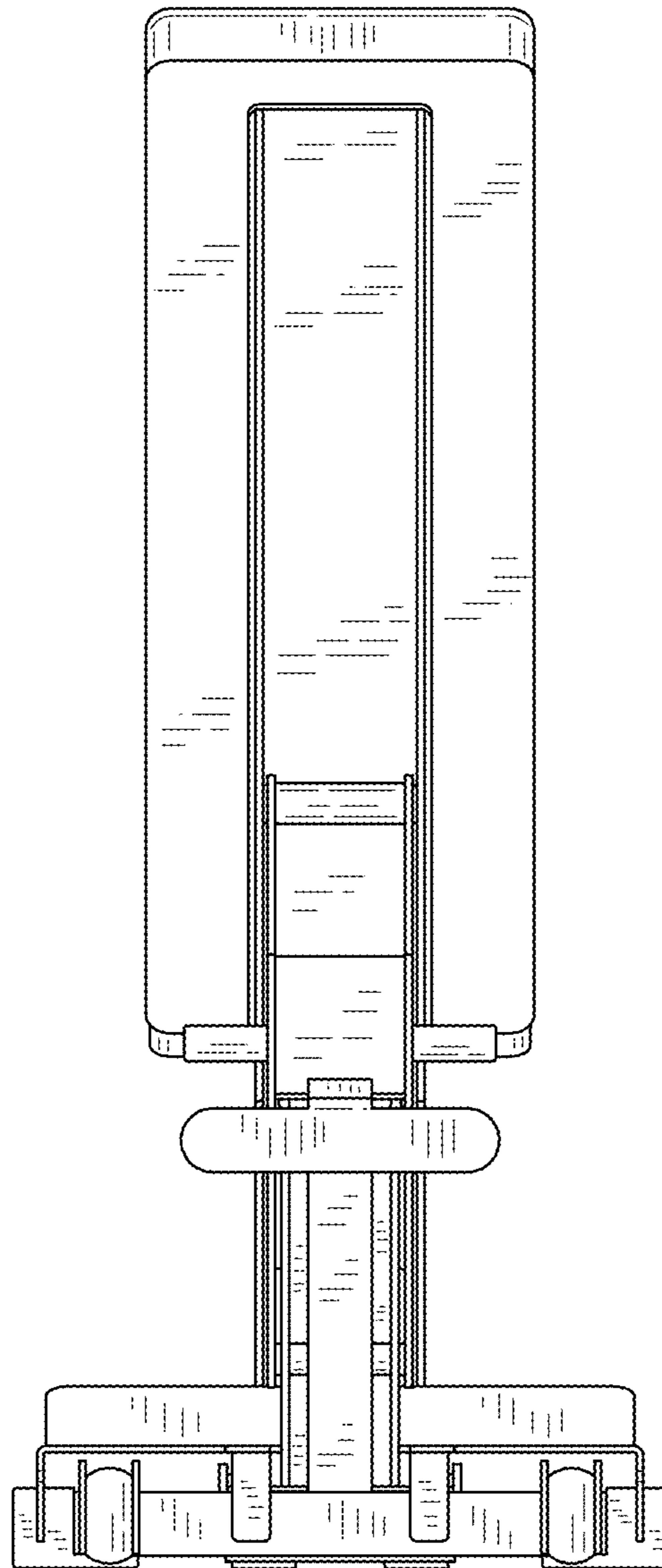


FIG.14