



US00D939031S

(12) **United States Design Patent**  
**Lowenberg**

(10) **Patent No.:** **US D939,031 S**

(45) **Date of Patent:** **\*\* Dec. 21, 2021**

(54) **BASE FOR A CAR TOY**

(71) Applicant: **Gadi Lowenberg**, Kiryat Ono (IL)

(72) Inventor: **Gadi Lowenberg**, Kiryat Ono (IL)

(\*\*) Term: **15 Years**

(21) Appl. No.: **29/701,351**

(22) Filed: **Aug. 11, 2019**

(30) **Foreign Application Priority Data**

Aug. 1, 2019 (IL) ..... 64006

(51) **LOC (13) Cl.** ..... **21-01**

(52) **U.S. Cl.**  
USPC ..... **D21/562**

(58) **Field of Classification Search**  
USPC ..... D21/495, 533, 548, 549, 550, 552, 557,  
D21/558, 559, 560, 561, 562  
CPC ..... A63H 17/00; A63H 17/004; A63H 17/26;  
A63H 17/262; A63H 17/36; A63H 30/00;  
A63H 30/04

See application file for complete search history.

(56) **References Cited**

**U.S. PATENT DOCUMENTS**

D225,761 S \* 1/1973 Munn et al. .... D21/533  
D284,019 S \* 5/1986 Arigaya ..... D21/562  
D285,950 S \* 9/1986 Arigaya ..... D21/562  
D295,644 S \* 5/1988 Takahashi ..... D21/495

D346,629 S \* 5/1994 Ruszkai ..... D21/495  
D395,470 S \* 6/1998 Rahbek ..... D21/484  
D577,083 S \* 9/2008 Nakayama ..... D21/562  
2012/0208429 A1 \* 8/2012 Sheridan ..... A63H 17/262  
446/466  
2016/0175726 A1 \* 6/2016 Puma ..... A63H 17/262  
446/470

\* cited by examiner

*Primary Examiner* — Cynthia M. Chin

(74) *Attorney, Agent, or Firm* — The Roy Gross Law Firm, LLC; Roy Gross

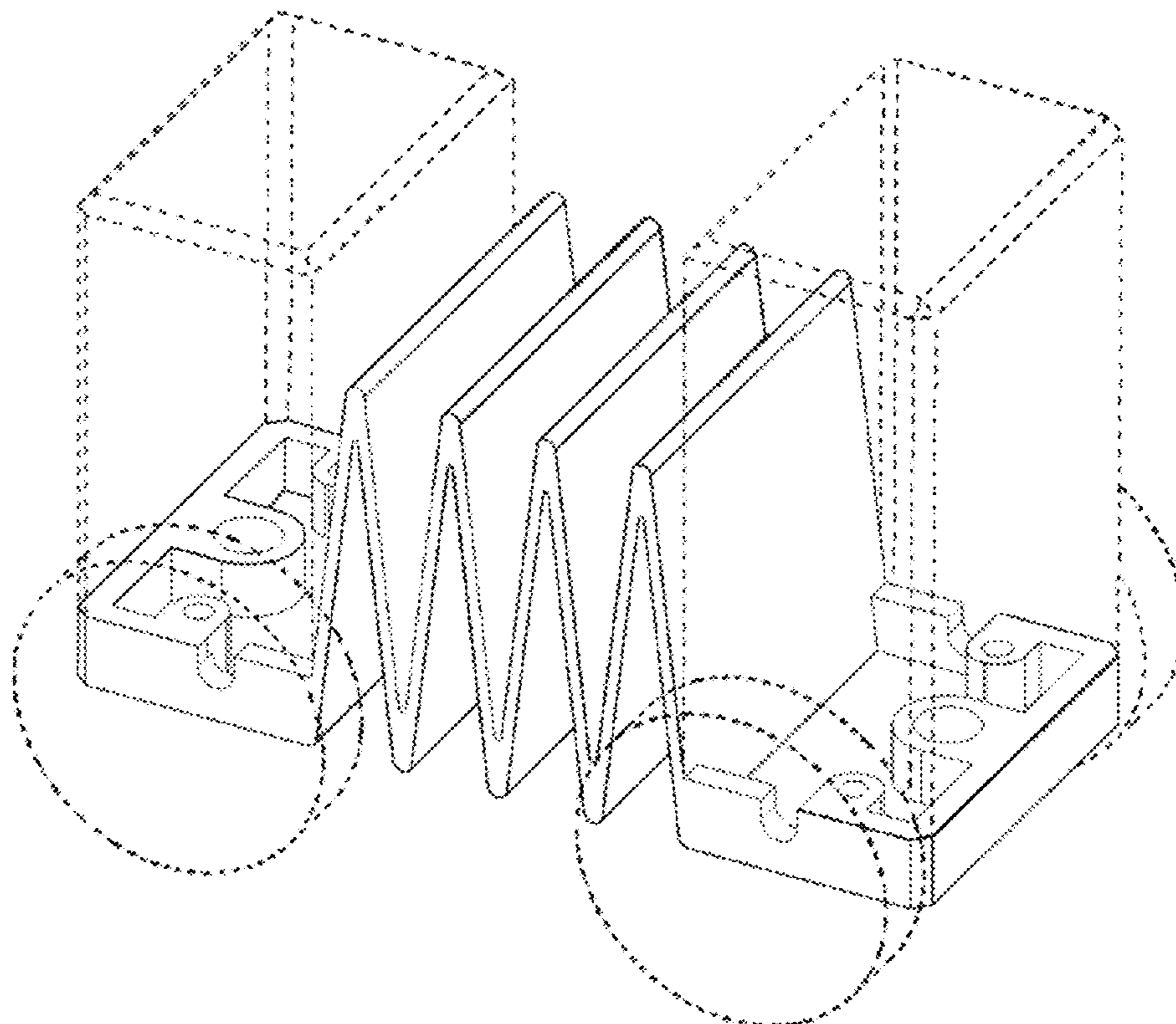
(57) **CLAIM**

The ornamental design for a base for a car toy, as shown and described.

**DESCRIPTION**

FIG. 1 is a front isometric view of a base for a car toy in accordance with the new design;  
FIG. 2 is a front isometric view with additions thereof in broken line;  
FIG. 3 is a front view thereof;  
FIG. 4 is a back side view thereof;  
FIG. 5 is a left side view thereof;  
FIG. 6 is a right view thereof;  
FIG. 7 is a top view thereof; and,  
FIG. 8 is a bottom view.  
The broken lines shown in FIGS. 1 and 2 are directed to environment and are for illustrative purposes only; the broken lines form no part of the claimed design.

**1 Claim, 8 Drawing Sheets**



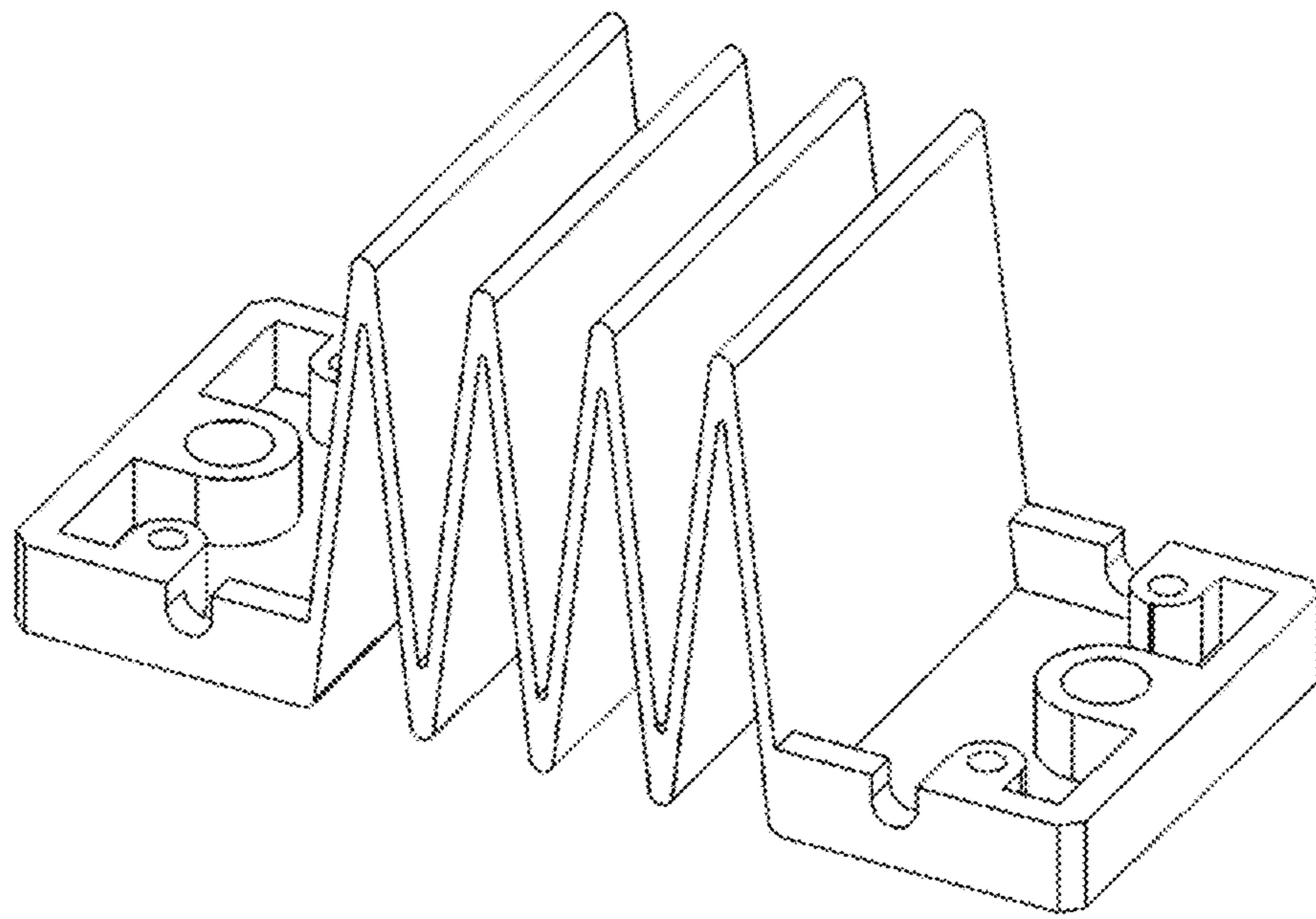


FIG. 1

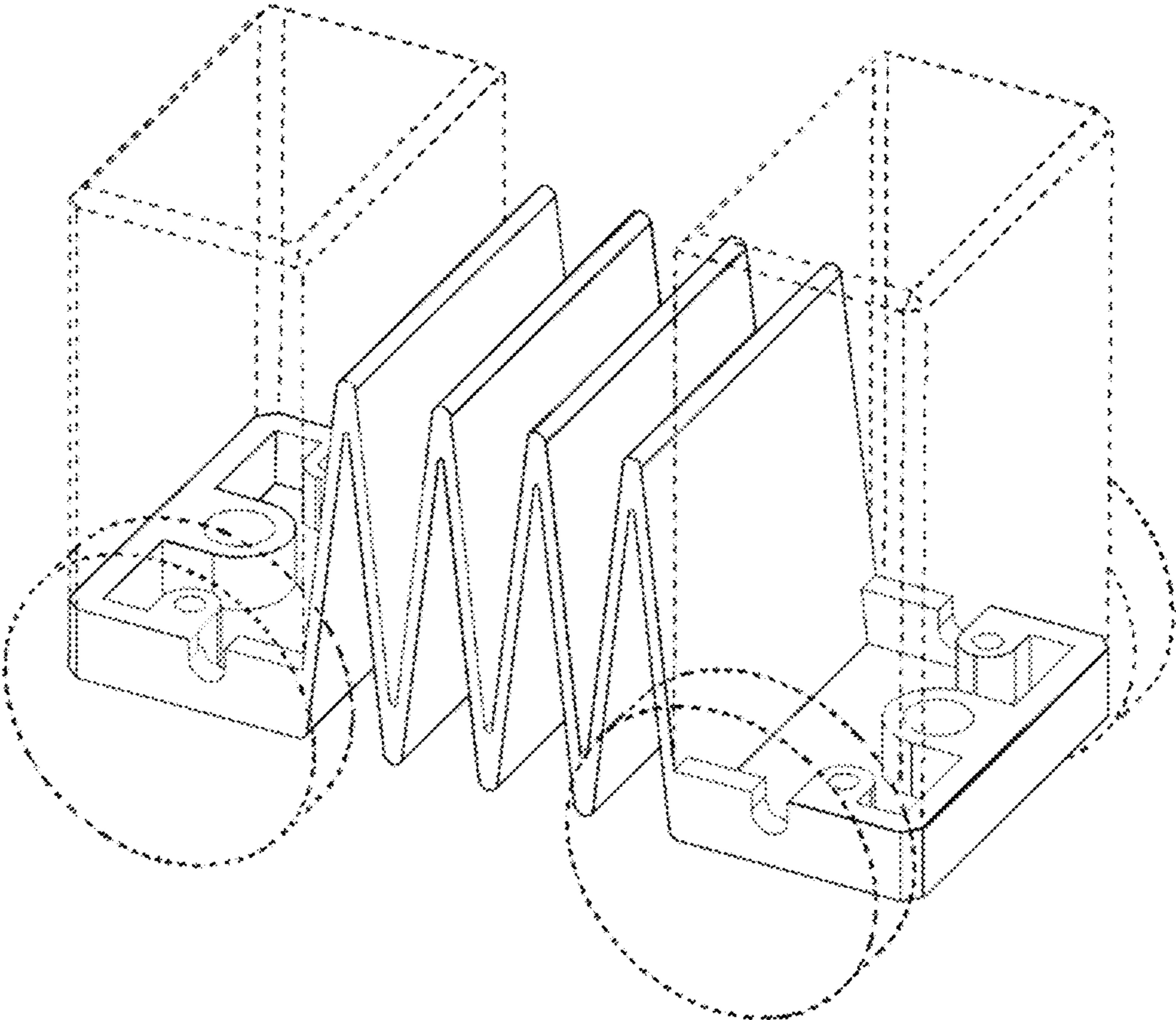


FIG. 2

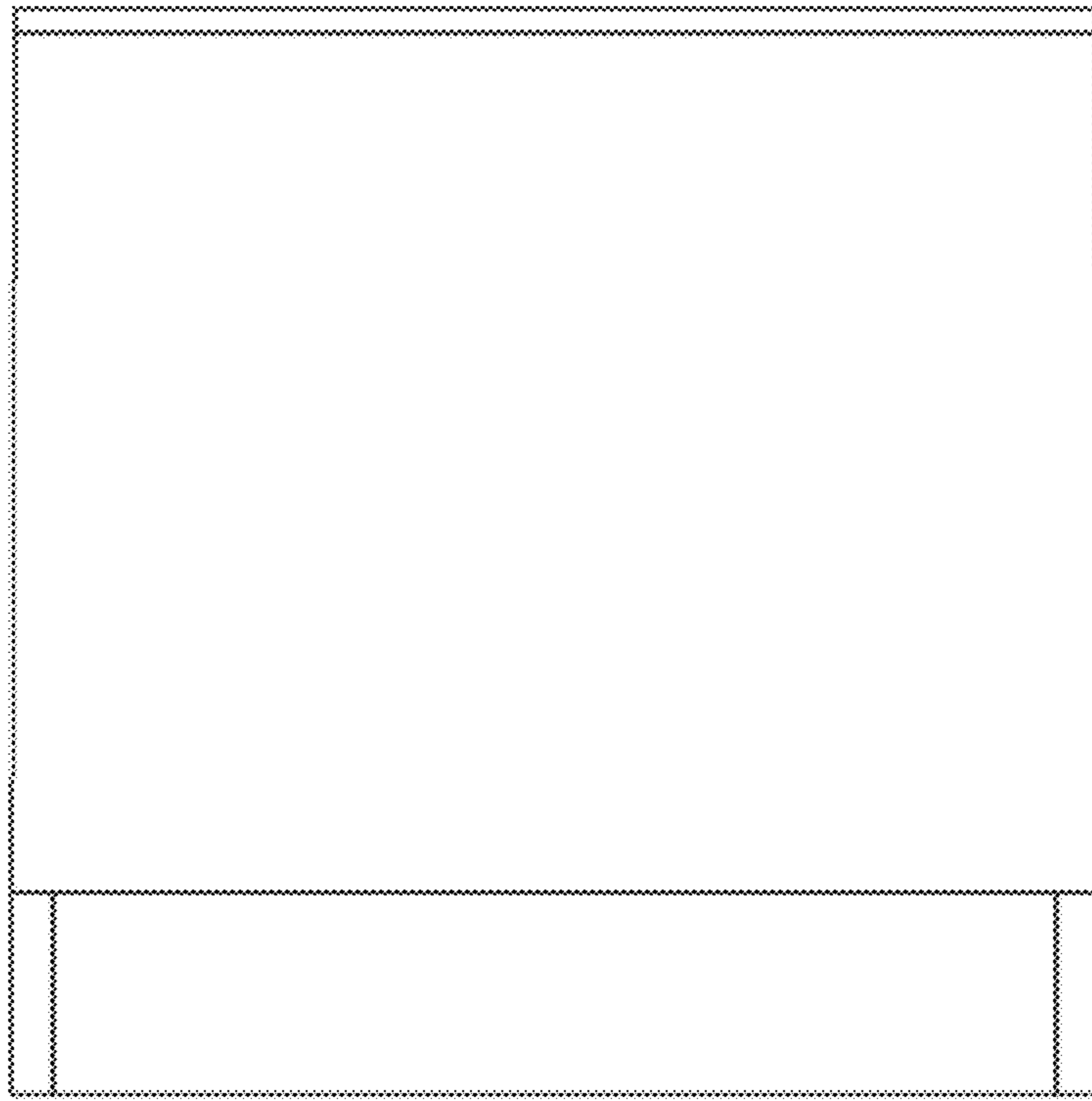


FIG. 3

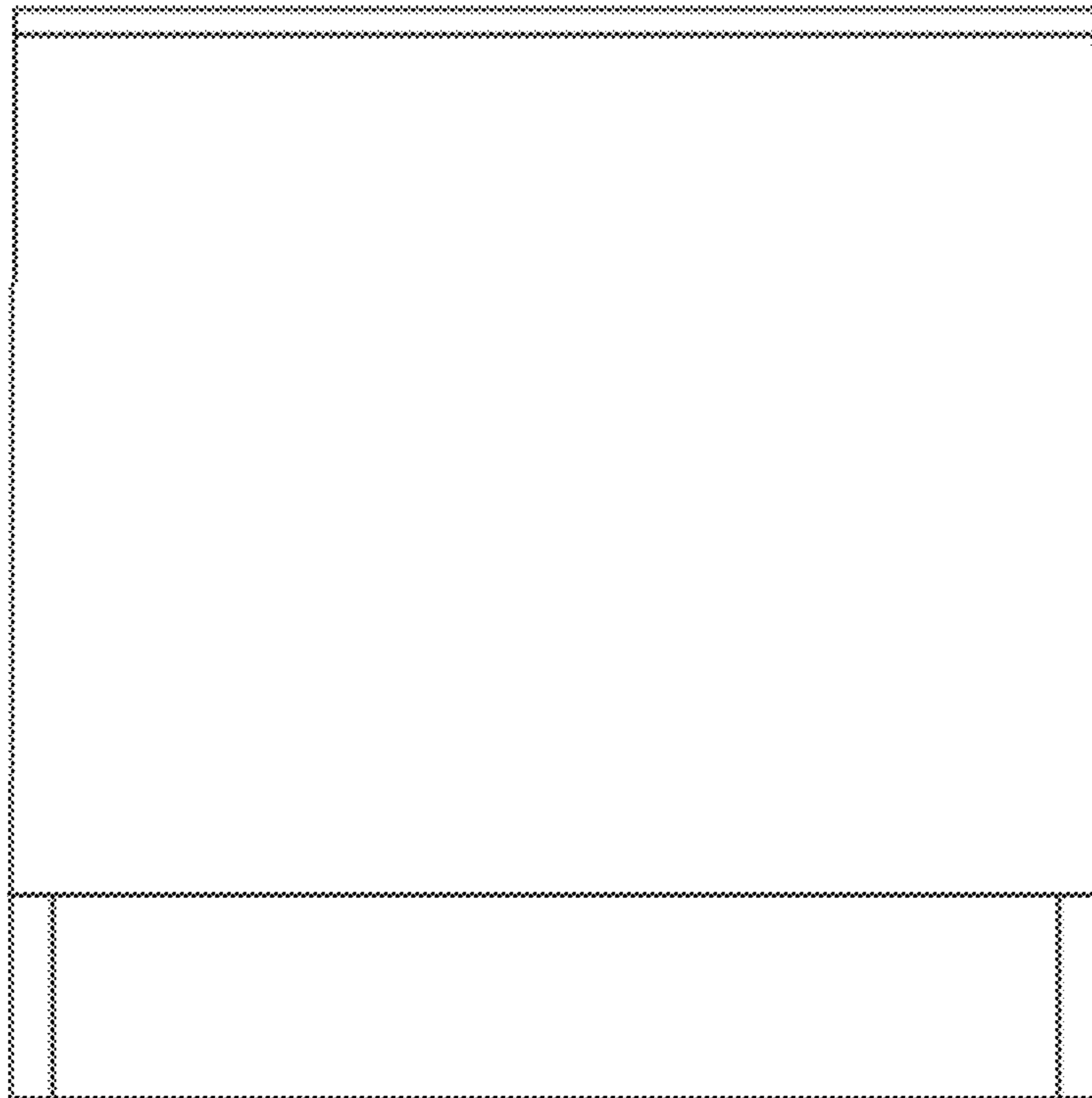


FIG. 4

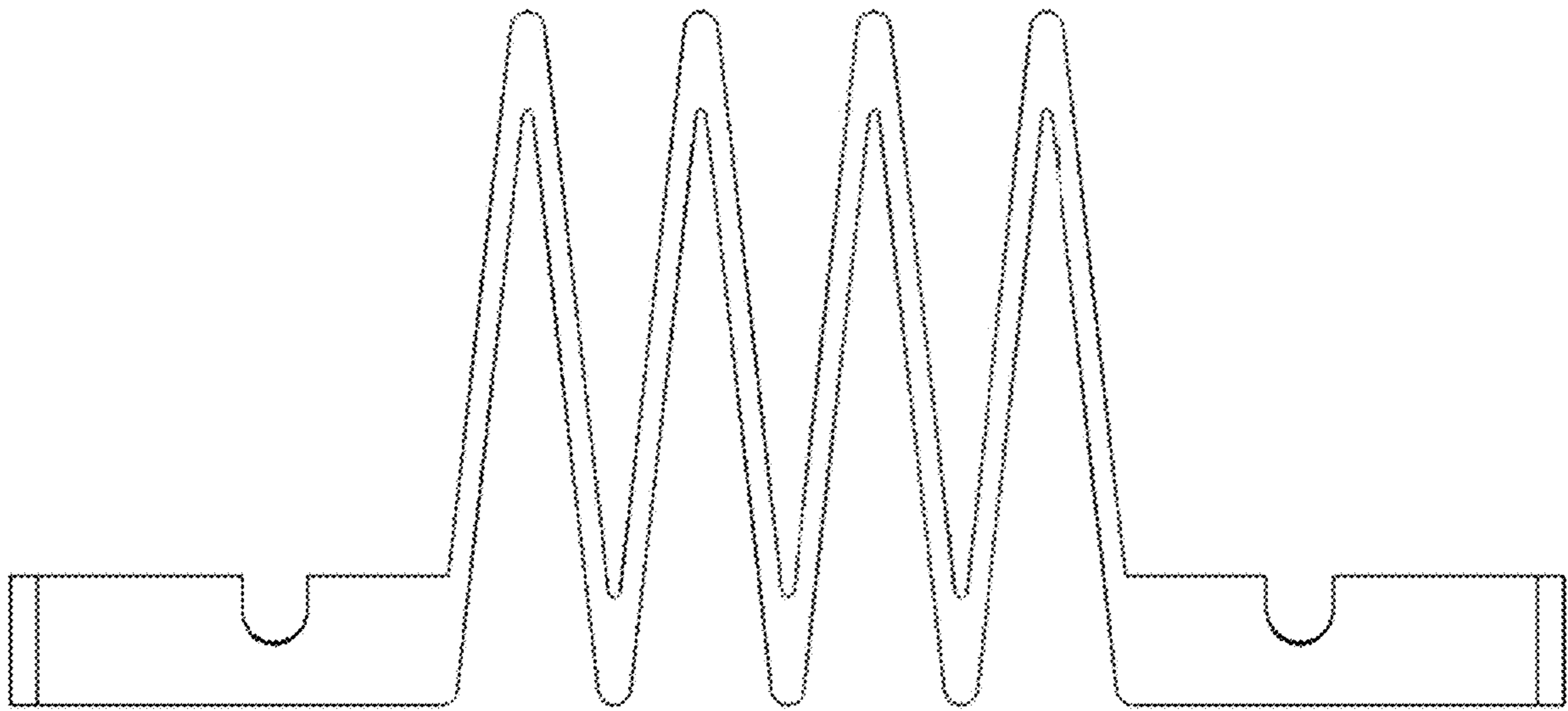


FIG. 5

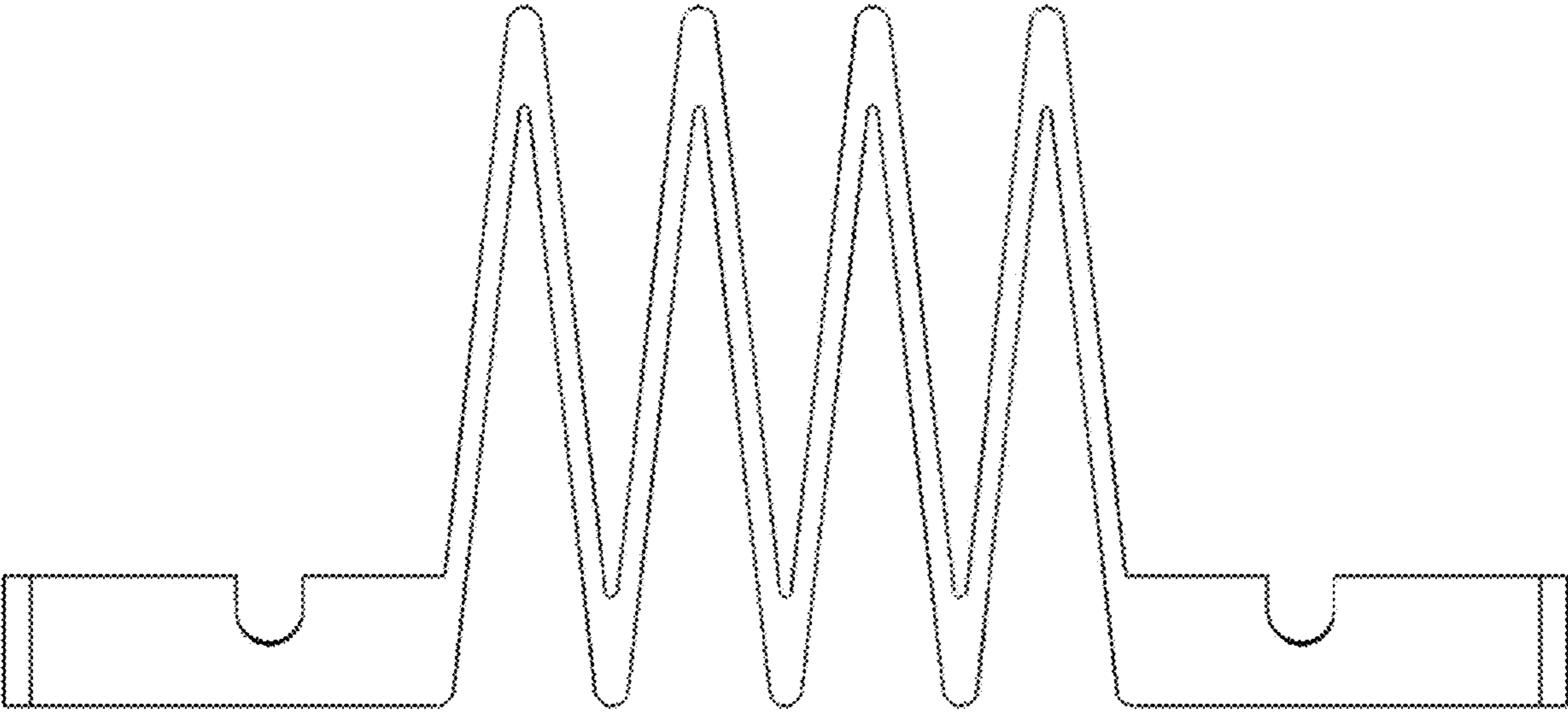


FIG. 6

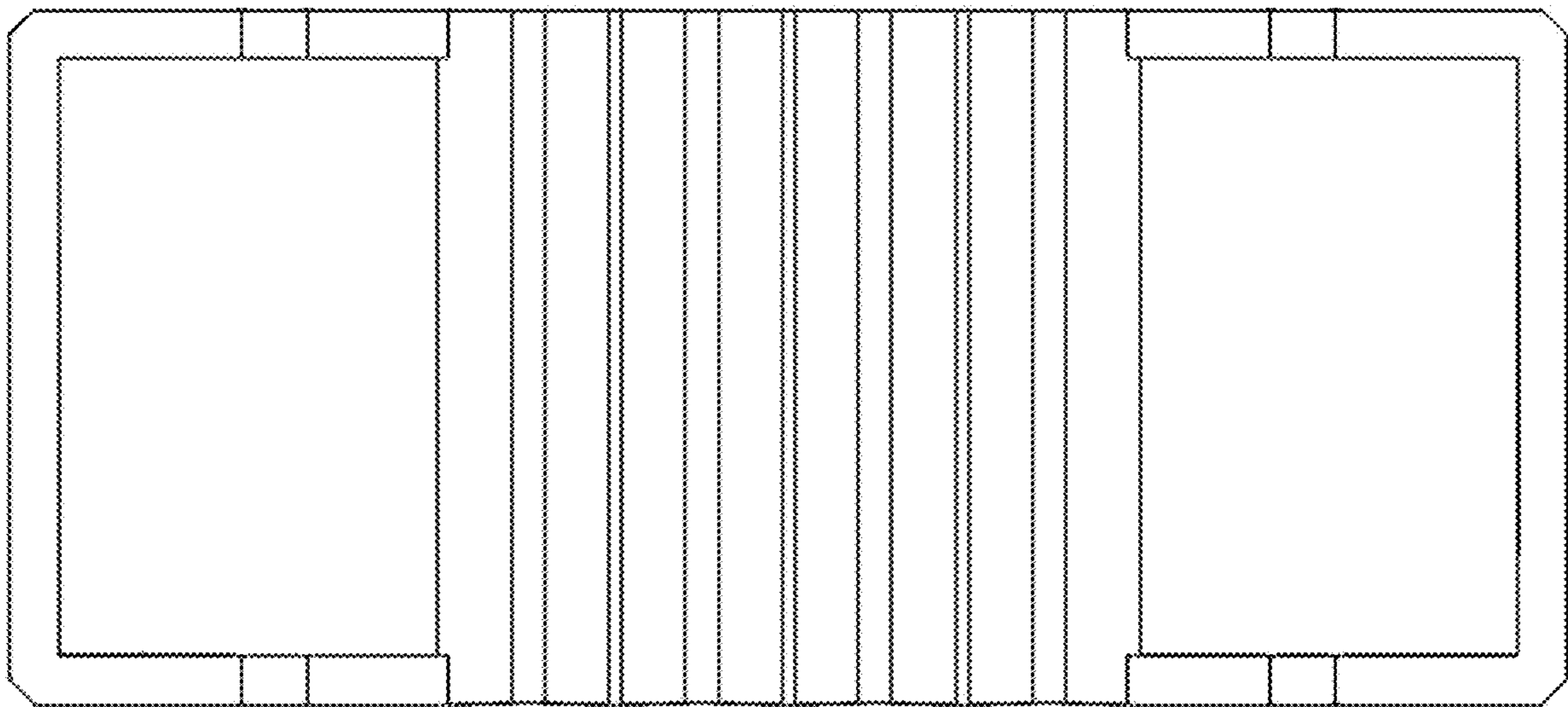


FIG. 7



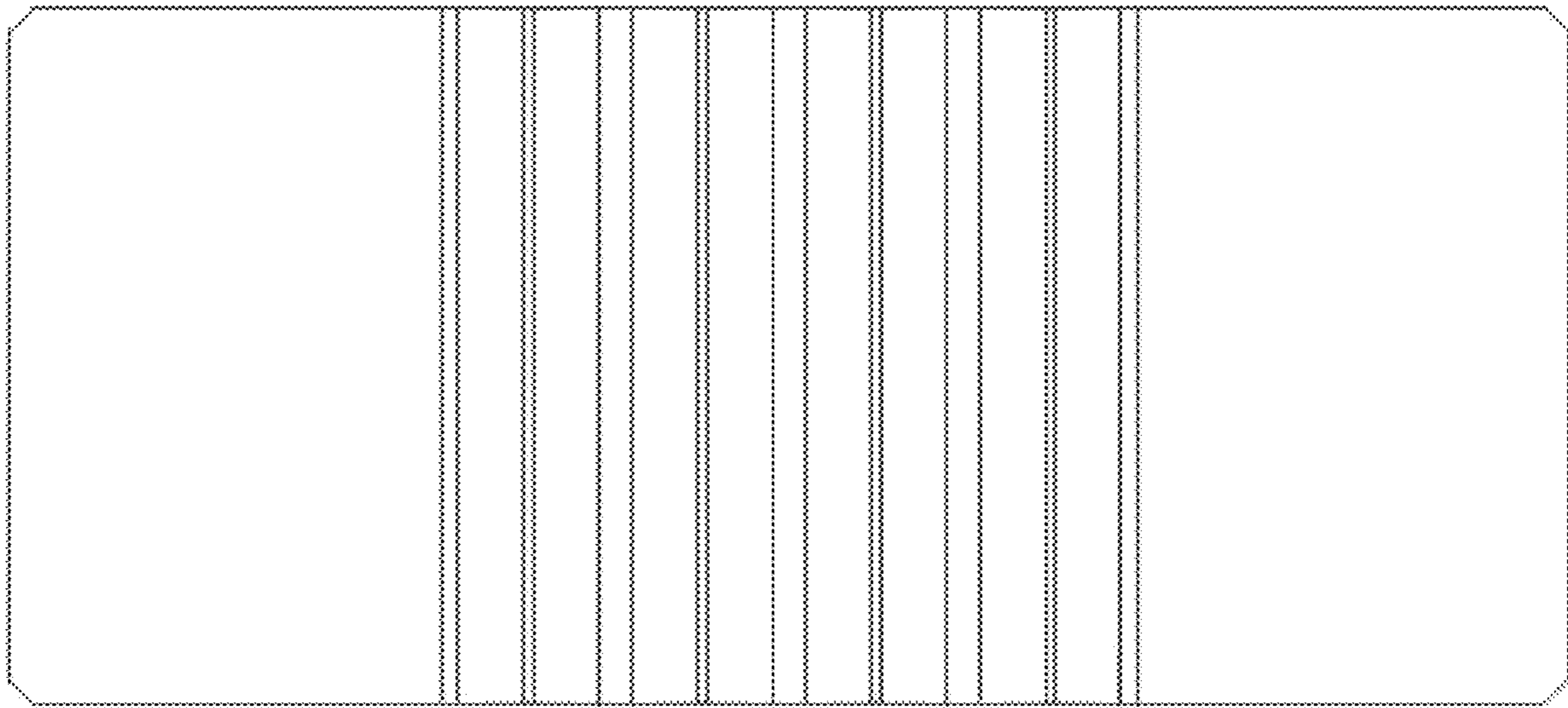


FIG. 8