



US00D939030S

(12) **United States Design Patent** (10) **Patent No.:** **US D939,030 S**
Ye (45) **Date of Patent:** **** Dec. 21, 2021**

(54) **TOY CAR**
(71) Applicant: **Guangzhou Yunteng Electronic Commerce Co., Ltd.,** Guangzhou (CN)
(72) Inventor: **Xiaofei Ye,** Zhejiang (CN)
(73) Assignee: **Guangzhou Yunteng Electronic Commerce Co., Ltd.,** Guangzhou (CN)

D827,038 S * 8/2018 Exley D21/434
D839,972 S * 2/2019 Chen D21/552
D868,175 S * 11/2019 Chen D21/552
D872,812 S * 1/2020 Chen D21/552
D888,164 S * 6/2020 Hu D21/552
D928,244 S * 8/2021 Bao D21/552
D932,562 S * 10/2021 Chen D21/552
D932,563 S * 10/2021 Chen D21/552
2006/0178084 A1 * 8/2006 Bruder A63H 17/06
446/428

(**) Term: **15 Years**

OTHER PUBLICATIONS

(21) Appl. No.: **29/773,643**
(22) Filed: **Mar. 10, 2021**
(51) **LOC (13) Cl.** **21-01**
(52) **U.S. Cl.**
USPC **D21/552**
(58) **Field of Classification Search**
USPC D21/434, 548, 552-559, 561, 562;
D12/96
CPC A63H 17/00; A63H 17/05; A63H 17/06;
A63H 17/08
See application file for complete search history.

JOYIN 4 PC 7" Long Friction Powered City Play Vehicle Toy Set, Reviewed and online as early as Jan. 1, 2021, [online], [site visited Oct. 23, 2021]. Available from Internet: <URL:https://www.amazon.com/JOYIN-Friction-Powered-Including-Ambulance/dp/B08HBH2CZC/> (Year: 2021).*

(Continued)

Primary Examiner — Cynthia M. Chin

(57) **CLAIM**

The ornamental design for a toy car, as shown and described.

(56) **References Cited**

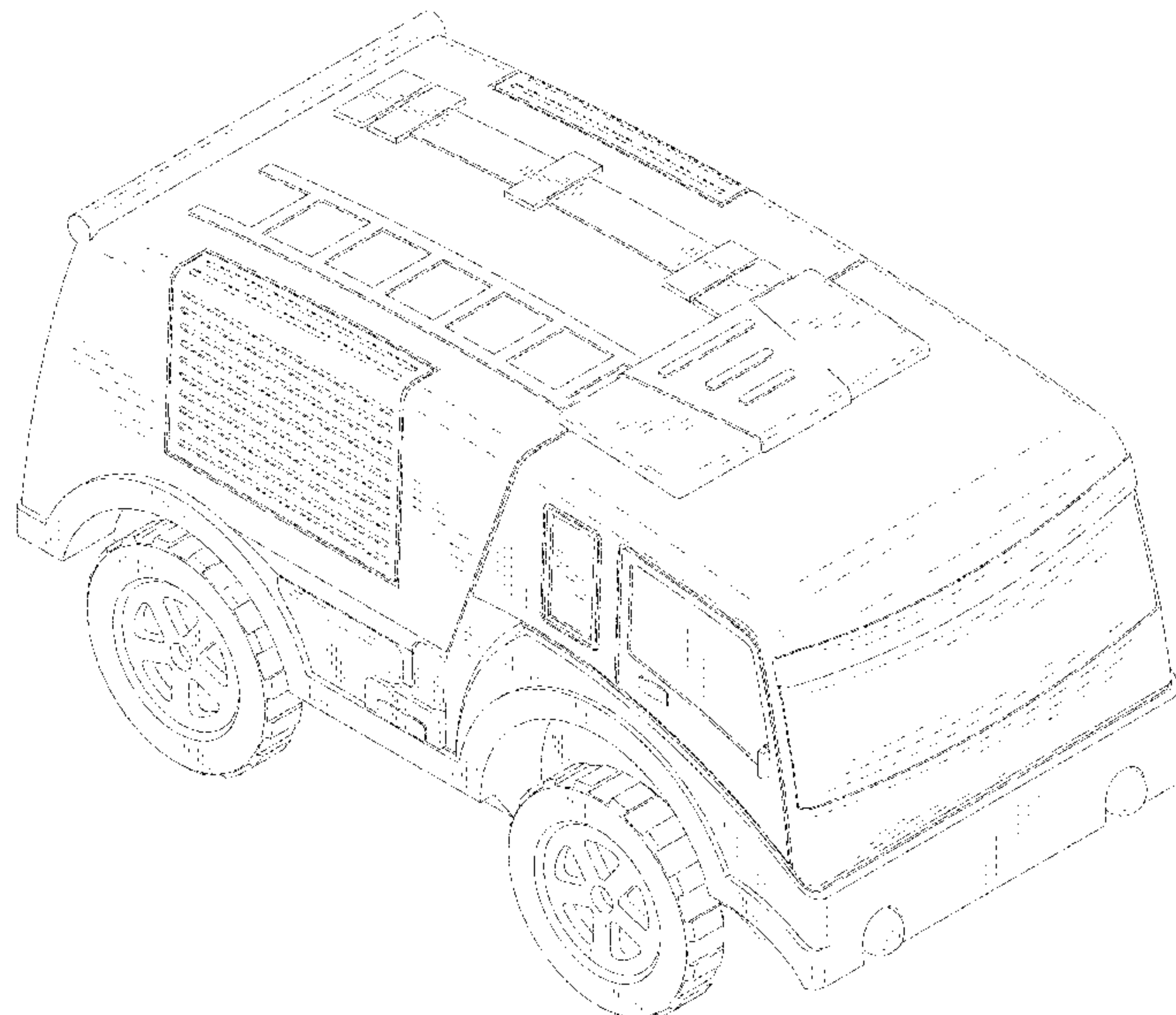
DESCRIPTION

U.S. PATENT DOCUMENTS

D257,049 S * 9/1980 Okado D21/552
D262,391 S * 12/1981 Kanaoki D21/450
D274,637 S * 7/1984 Terui D21/552
D281,987 S * 12/1985 Catelli D21/552
D302,445 S * 7/1989 Thomson D21/554
D334,222 S * 3/1993 Krebs D21/552
D424,133 S * 5/2000 Hollis D21/552
D425,142 S * 5/2000 Wei D21/552
D445,466 S 7/2001 Ma
6,672,936 B1 * 1/2004 Shaffer A63H 17/05
280/433
D567,885 S * 4/2008 Amadio D21/559
7,942,721 B2 * 5/2011 Wade A63H 33/009
446/473
D751,154 S 3/2016 Oligny-Lemieux et al.

FIG. 1 is a perspective view of a toy car showing my new design;
FIG. 2 is another perspective view thereof;
FIG. 3 is a front view thereof;
FIG. 4 is a back view thereof;
FIG. 5 is a left side view thereof;
FIG. 6 is a right side view thereof;
FIG. 7 is a top view thereof; and,
FIG. 8 is a bottom view thereof.
The broken lines are for the purpose of illustrating portions of the article that form no part of the claim.

1 Claim, 8 Drawing Sheets



(56)

References Cited

OTHER PUBLICATIONS

Toyard Garbage Truck Toy with 4 Rear Loader Trash Cans Dump Toy Truck Play Vehicles Car, Reviewed and online as early as Dec. 9, 2020, [online], [site visited Oct. 23, 2021]. Available from Internet: <URL:https://www.amazon.com/Garbage-Truck-Loader-Trash-Vehicles/dp/B08B13HMLD/> (Year: 2020).*

Lena Powerful Giants Toy Garbage Truck Trucks, Reviewed and online as early as Sep. 25, 2020, [online], [site visited Oct. 23, 2021]. Available from Internet: <URL:https://www.amazon.com/Powerful-Garbage-Manually-Operated-Dumping/dp/B0041WGLTW/> (Year: 2020).*

JOYIN 25 Piece Pull Back Cars and Trucks Toy Vehicles Set, Reviewed and online as early as Dec. 16, 2019, [online], [site visited Oct. 23, 2021]. Available from Internet: <URL:https://www.amazon.com/JOYIN-Trucks-Vehicles-Toddlers-Die-Cast/dp/B07Z5J3N45/> (Year: 2019).*

* cited by examiner

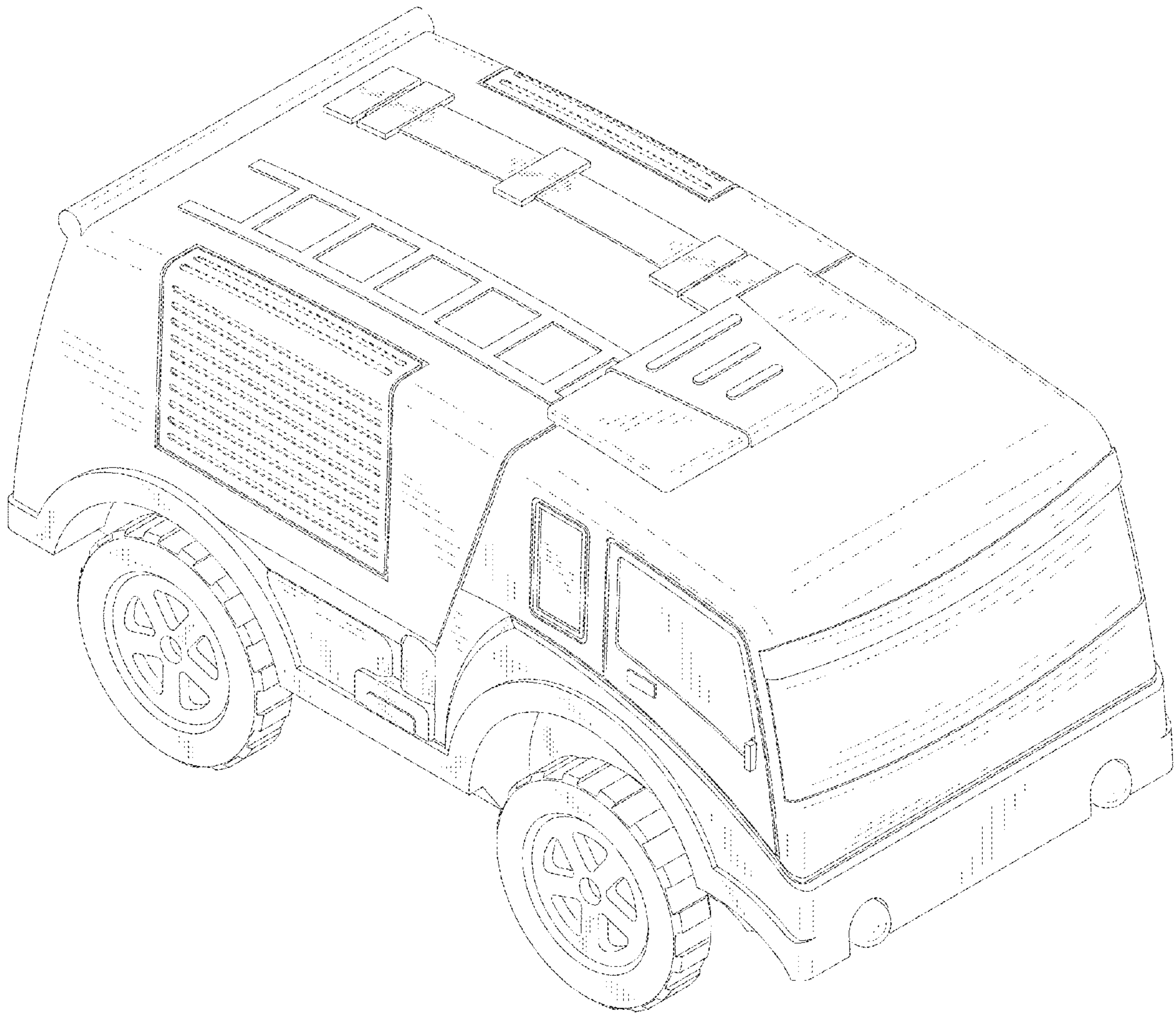


FIG. 1

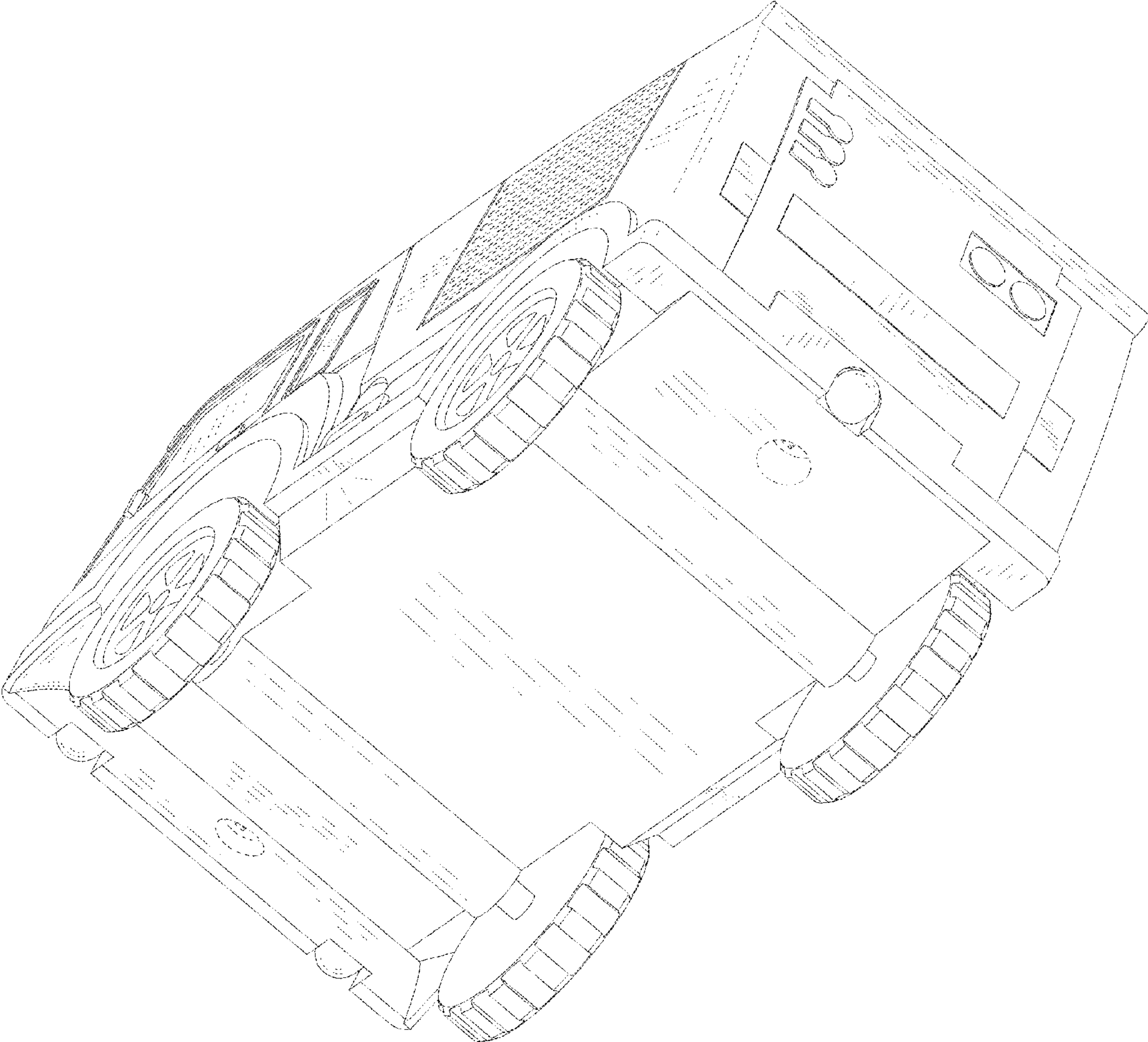


FIG.2

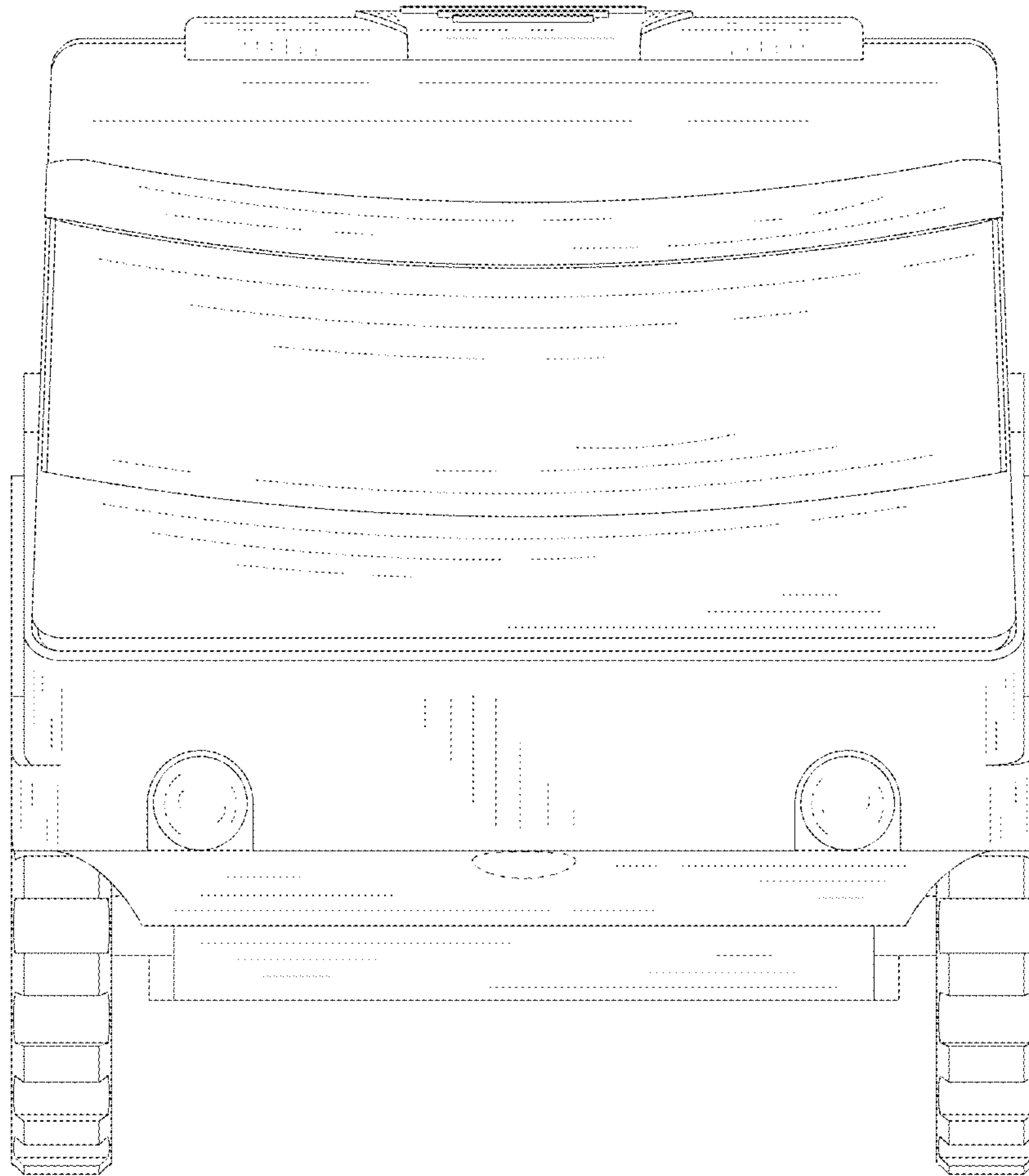


FIG. 3

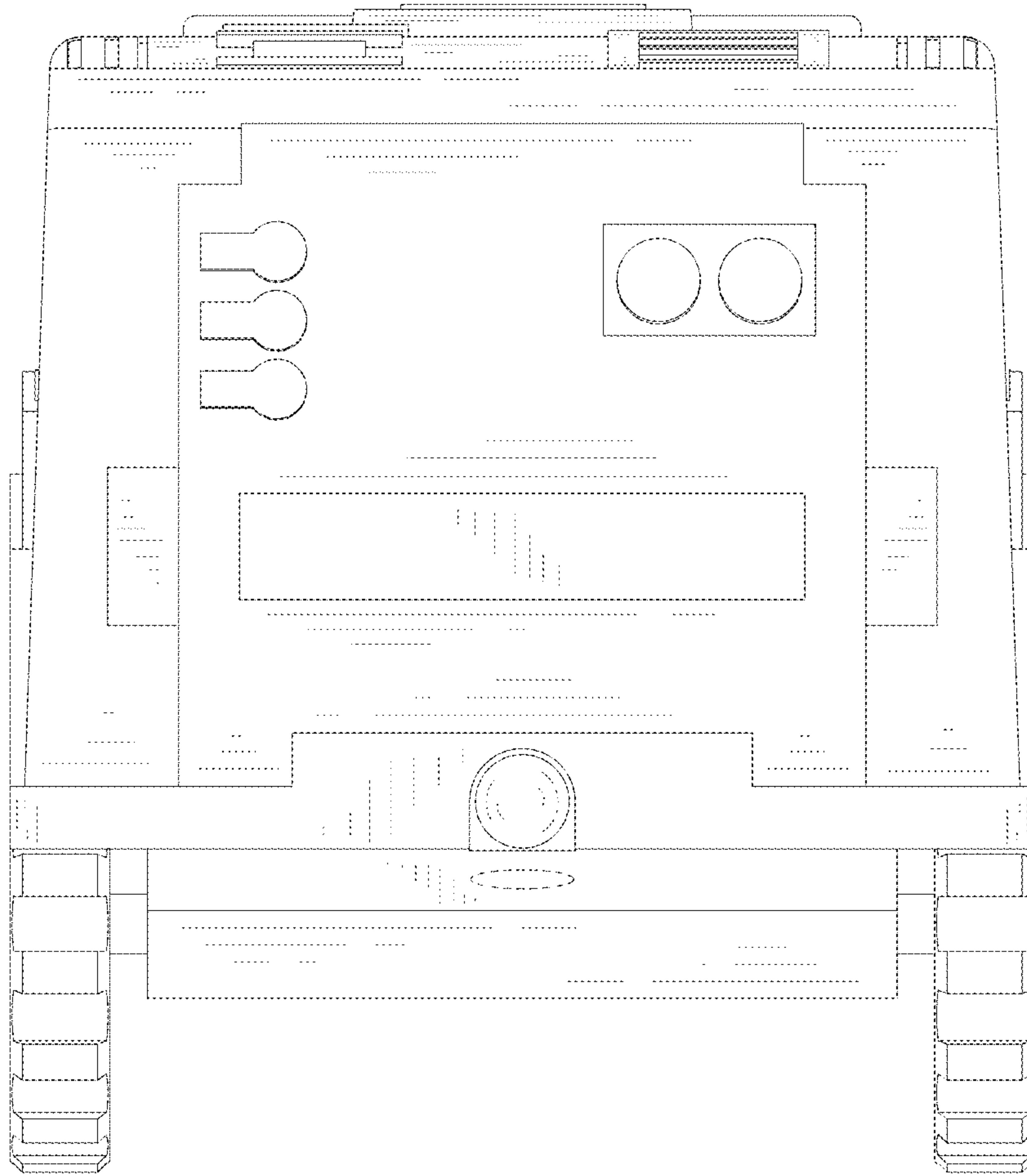


FIG. 4

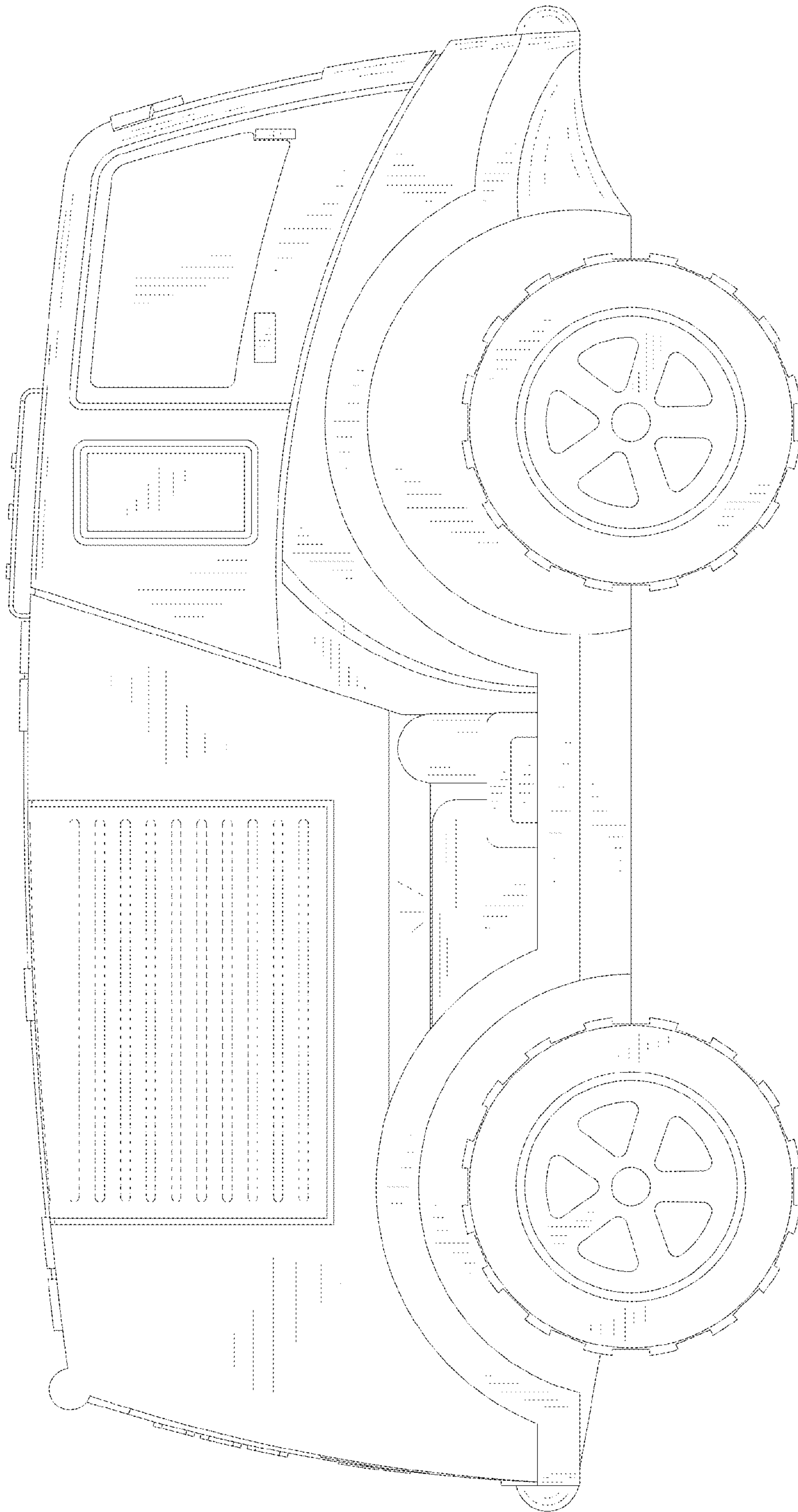


FIG. 5

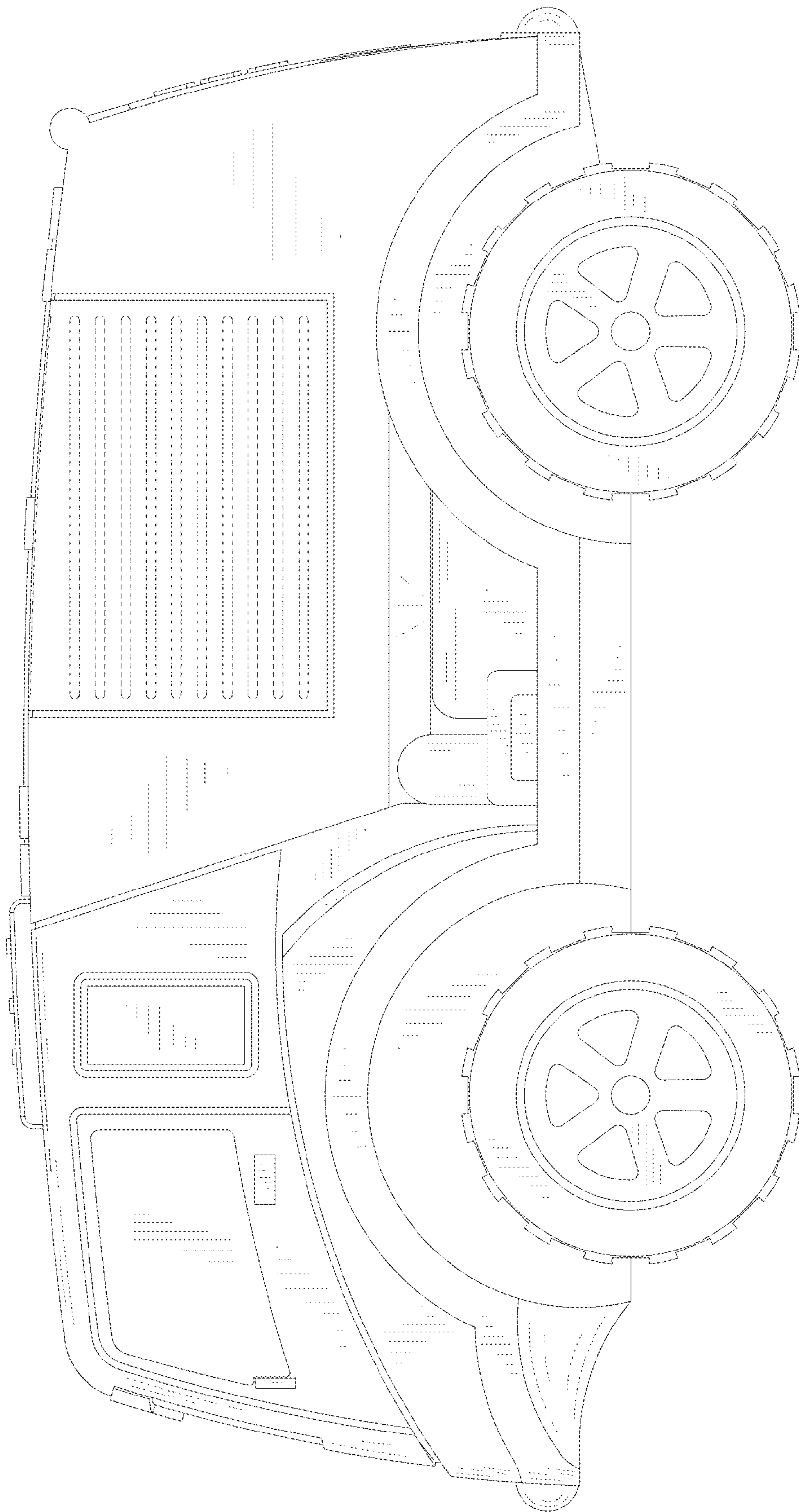


FIG. 6

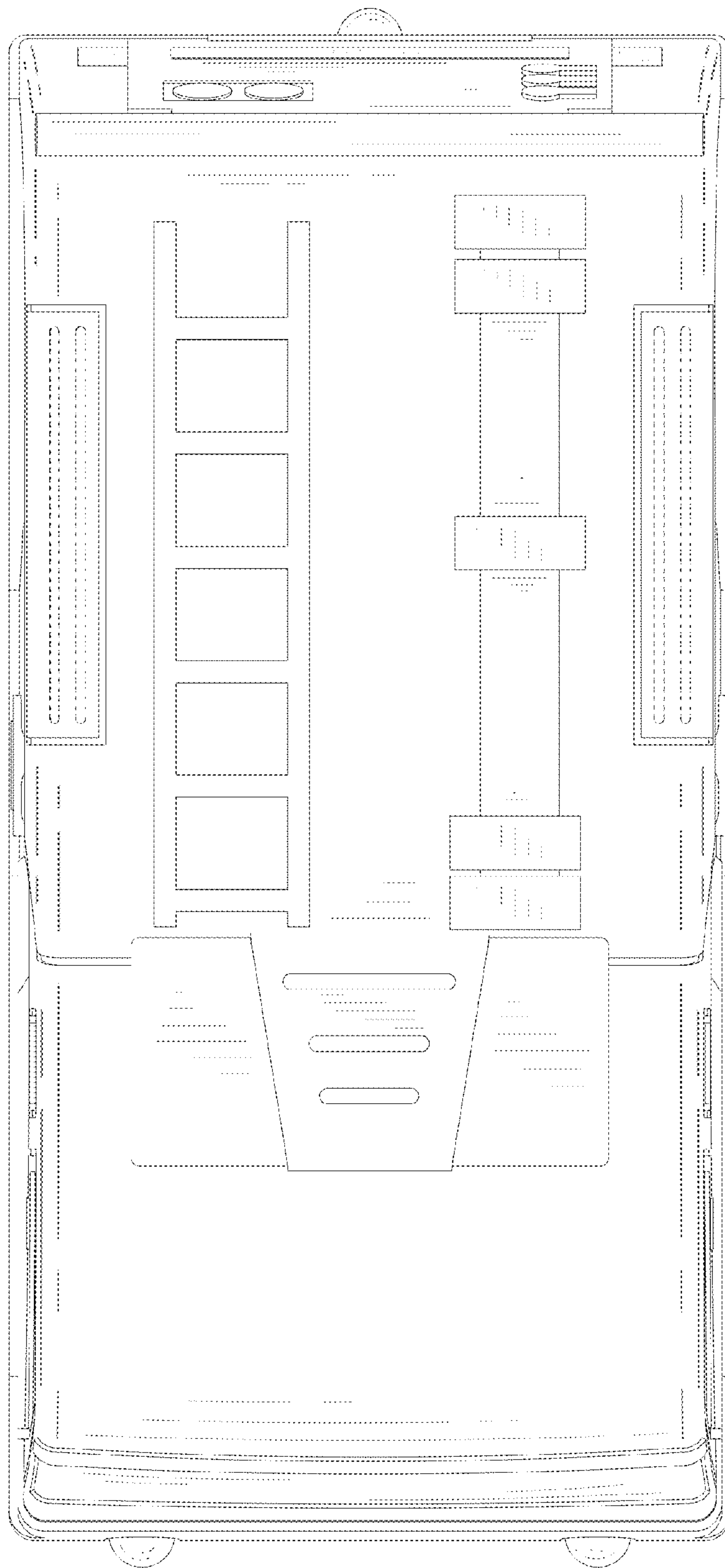


FIG. 7

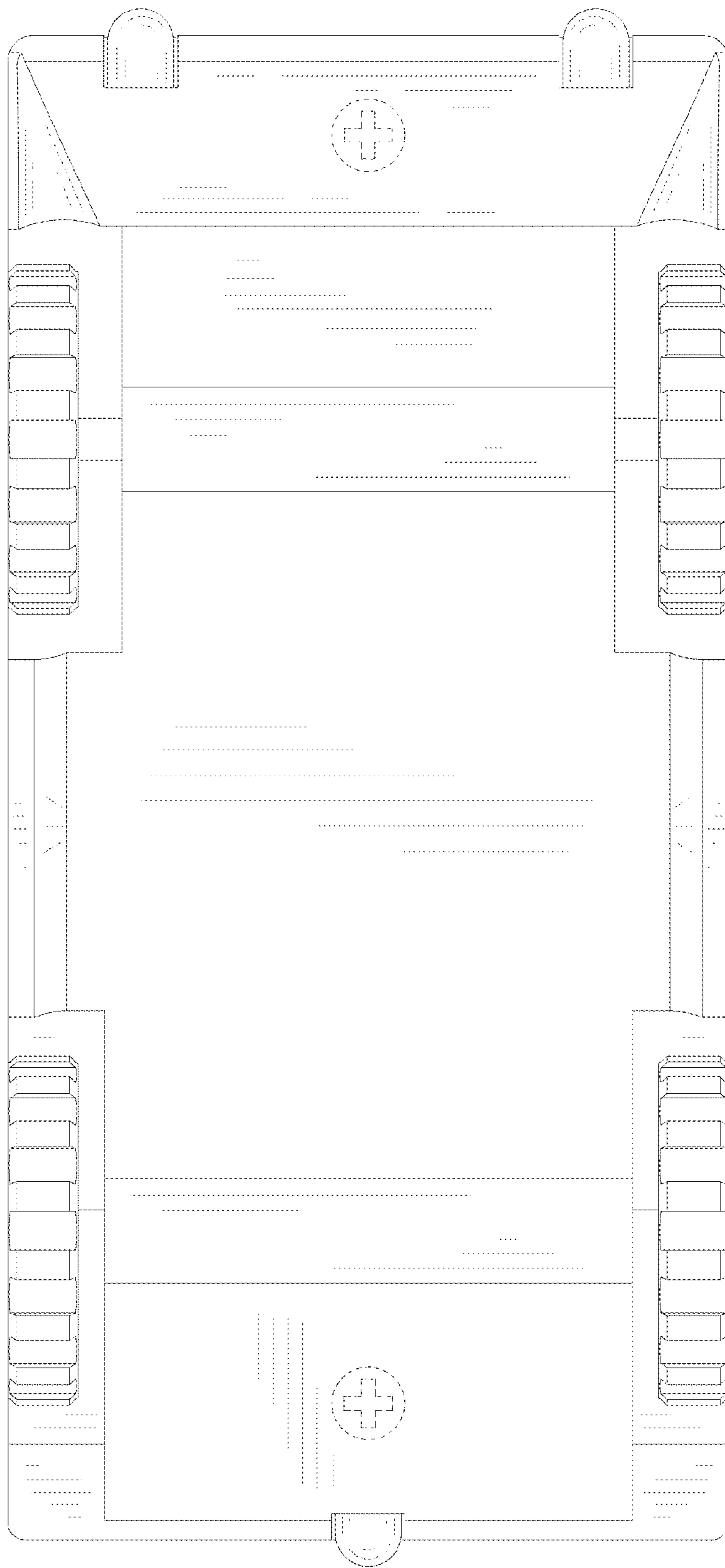


FIG. 8