



US00D939028S

(12) **United States Design Patent**
Fouts et al.

(10) **Patent No.:** **US D939,028 S**

(45) **Date of Patent:** **** Dec. 21, 2021**

- (54) **BALL RUN TOY**
- (71) Applicant: **Lovevery, Inc.**, Boise, ID (US)
- (72) Inventors: **Philip J. Fouts**, Boise, ID (US);
Thomas Creason Rigby, Boise, ID (US)
- (73) Assignee: **Lovevery, Inc.**, Boise, ID (US)
- (**) Term: **15 Years**
- (21) Appl. No.: **29/689,652**
- (22) Filed: **Apr. 30, 2019**
- (51) **LOC (13) Cl.** **21-01**
- (52) **U.S. Cl.**
USPC **D21/398**; D21/456
- (58) **Field of Classification Search**
USPC D21/310, 337, 404, 456, 468, 470, 499,
D21/475, 564; 446/138, 168, 444, 489;
273/112, 120 R, 129 Q; 463/69
CPC A63F 7/02; A63F 7/28; A63F 7/30; A63F
7/36; A63F 7/3622; A63F 2007/282;
A63F 2007/3015; A63F 2007/341; A63F
2007/345; A63F 2007/346; A63F
2007/3633; A63F 2007/3637; A63F
2007/3648; A63F 9/0666; A63F
2009/0668; A63H 18/00; A63H 18/02;
A63H 15/00
See application file for complete search history.

- 4,175,665 A * 11/1979 Dogliotti A47F 1/08
211/59.2
- 5,370,391 A * 12/1994 Hilzendeger A63F 7/3622
273/112
- D457,198 S * 5/2002 Yamazaki D21/456
- D492,736 S * 7/2004 Kato D21/398
- 2011/0081825 A1* 4/2011 Jourdian A63H 18/021
446/444
- 2015/0079875 A1* 3/2015 Flores A63F 7/3622
446/431

FOREIGN PATENT DOCUMENTS

- CN 301924972 * 5/2012
- CN 302937968 * 9/2014
- CN 303440530 * 11/2015
- CN 304188737 * 6/2017
- CN 304706221 * 6/2018
- CN 304875631 * 11/2018
- JP D1513007 * 12/2014

* cited by examiner

Primary Examiner — Catherine A Tuttle

(74) *Attorney, Agent, or Firm* — Fish & Richardson P.C.

(57) **CLAIM**

The ornamental design for a ball run toy, as shown and described.

DESCRIPTION

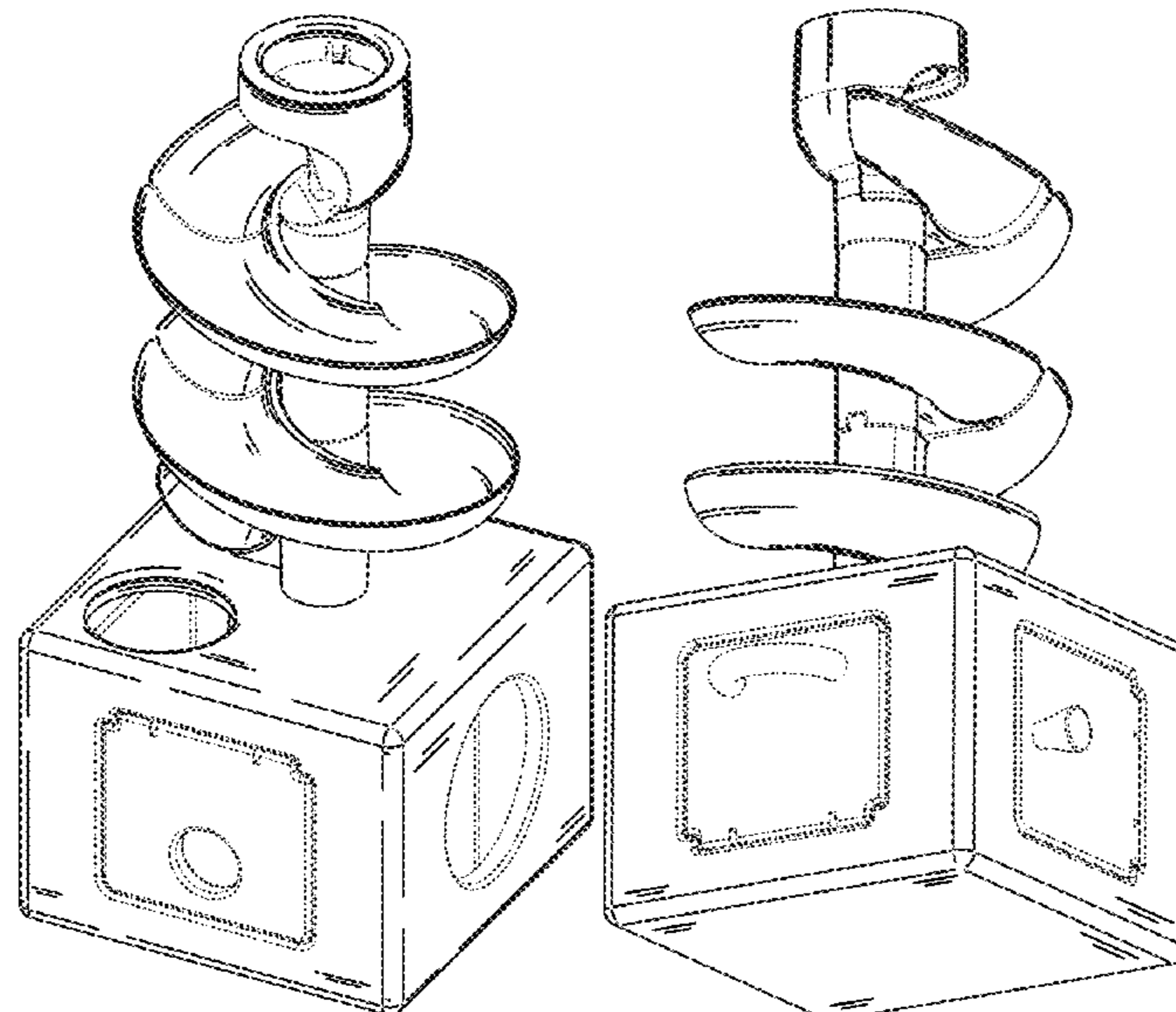
FIG. 1 is a front top and right perspective view showing our new design for our ball run toy.
 FIG. 2 is a bottom, back and left perspective view thereof.
 FIG. 3 is a front view thereof.
 FIG. 4 is a back view thereof.
 FIG. 5 is a right side view thereof.
 FIG. 6 is a left side view thereof.
 FIG. 7 is a top view thereof; and,
 FIG. 8 is a bottom view thereof.
 The broken lines illustrate features of the ball run toy that form no part of the claimed design.

1 Claim, 7 Drawing Sheets

(56) **References Cited**

U.S. PATENT DOCUMENTS

- 1,252,158 A * 1/1918 Okel A63F 7/3622
446/168
- 2,388,483 A * 11/1945 Hess G09F 19/02
40/409
- 3,233,363 A * 2/1966 Maury A63H 18/007
104/165



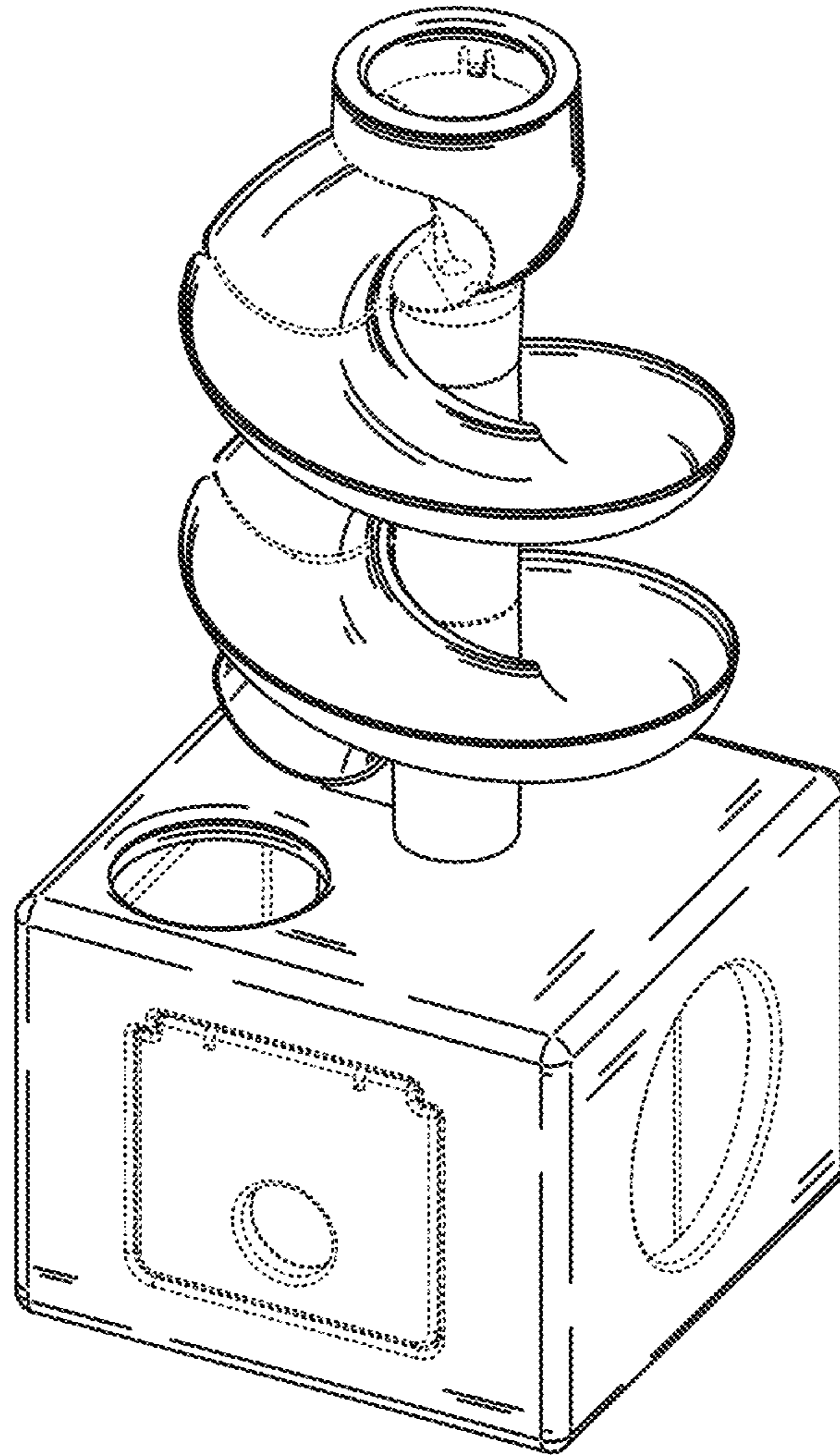


FIG. 1

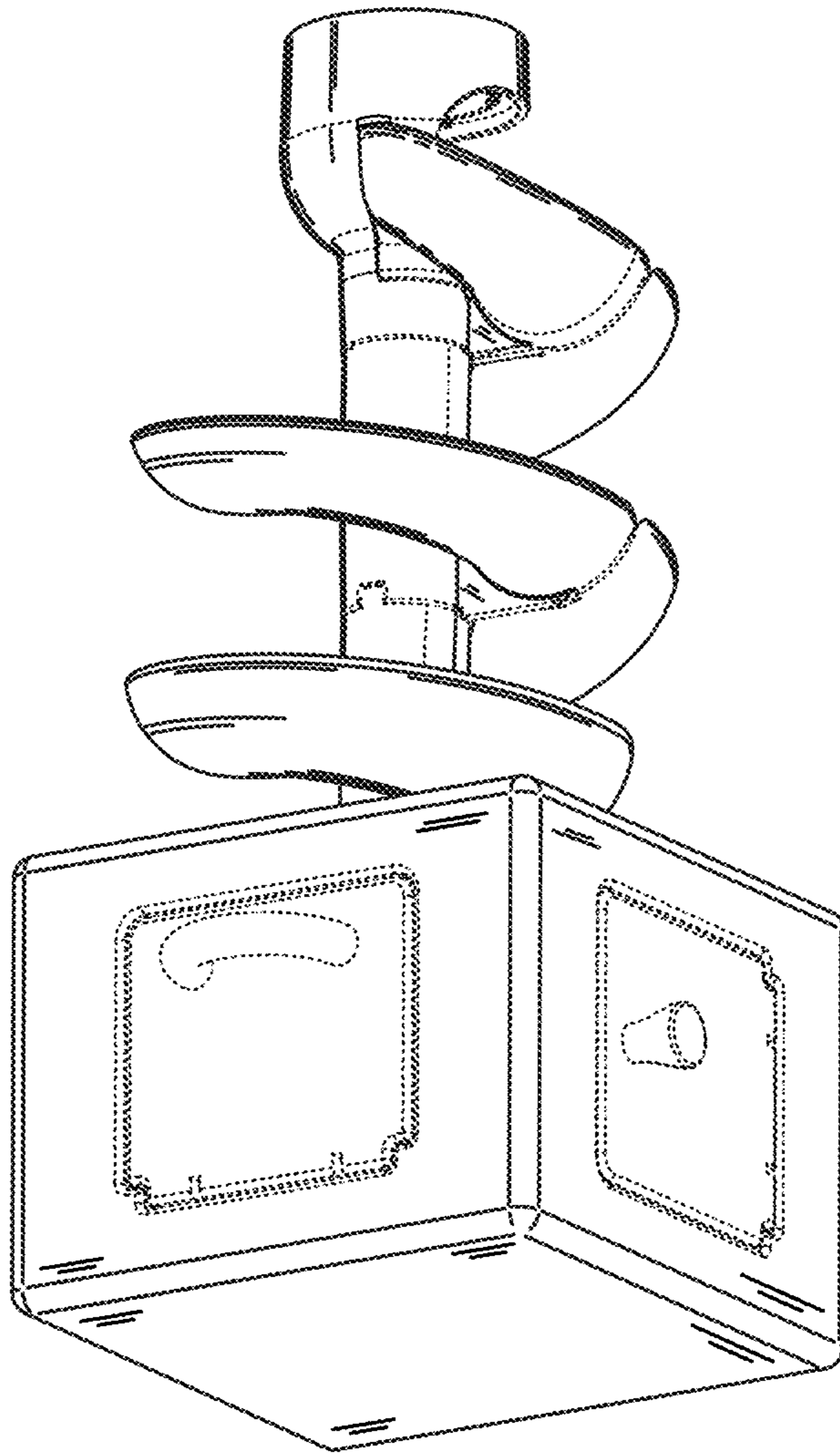


FIG. 2

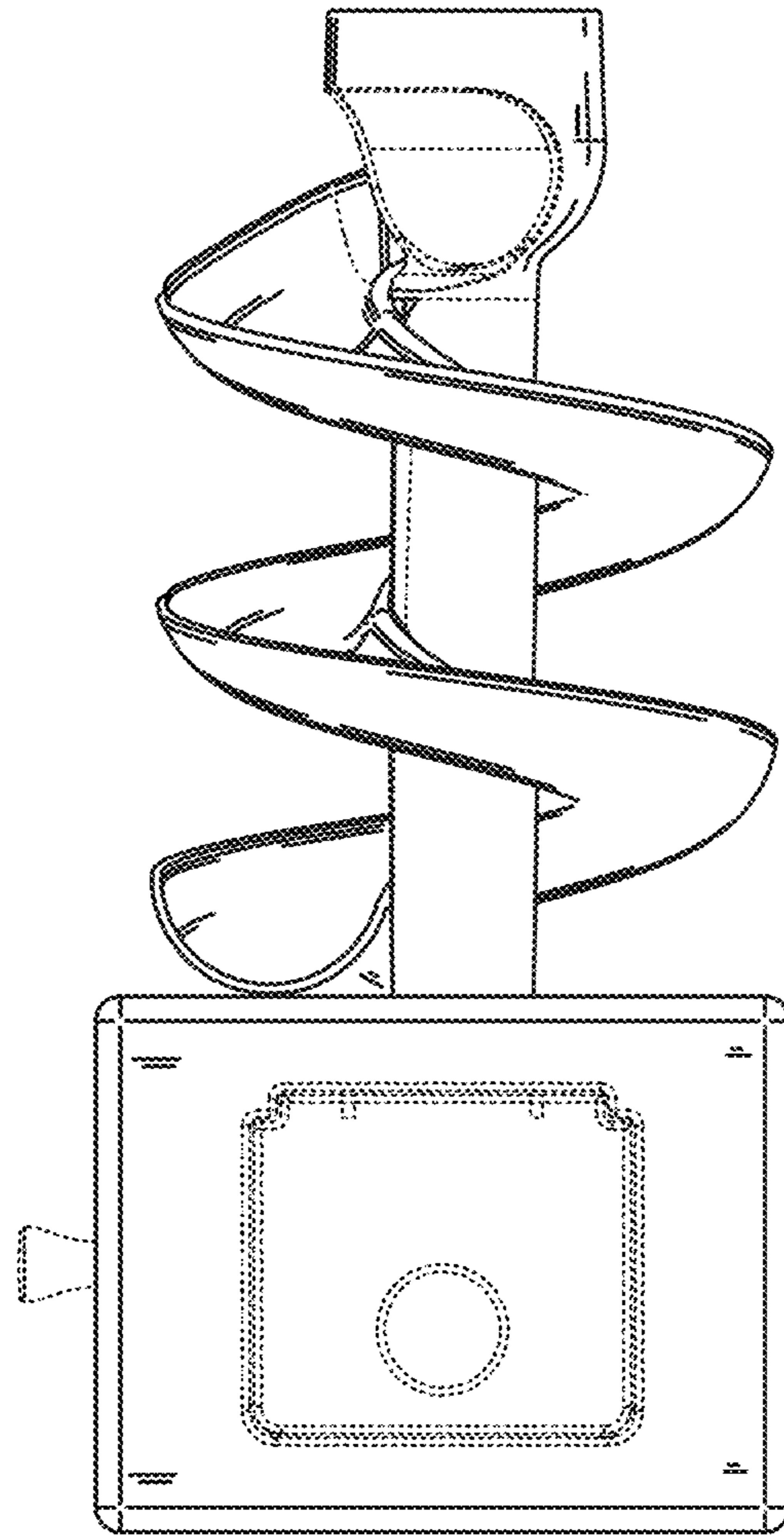


FIG. 3

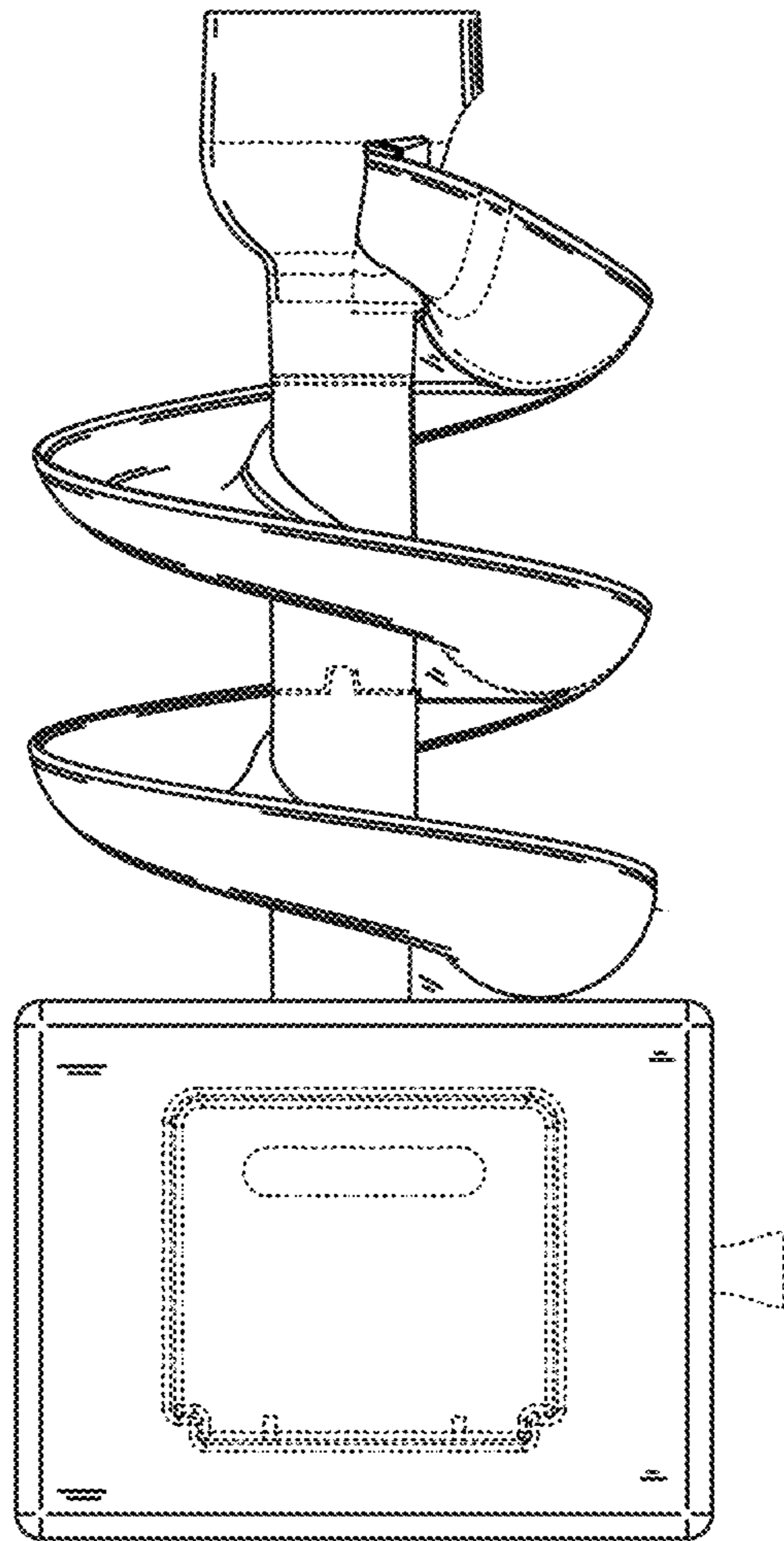


FIG. 4

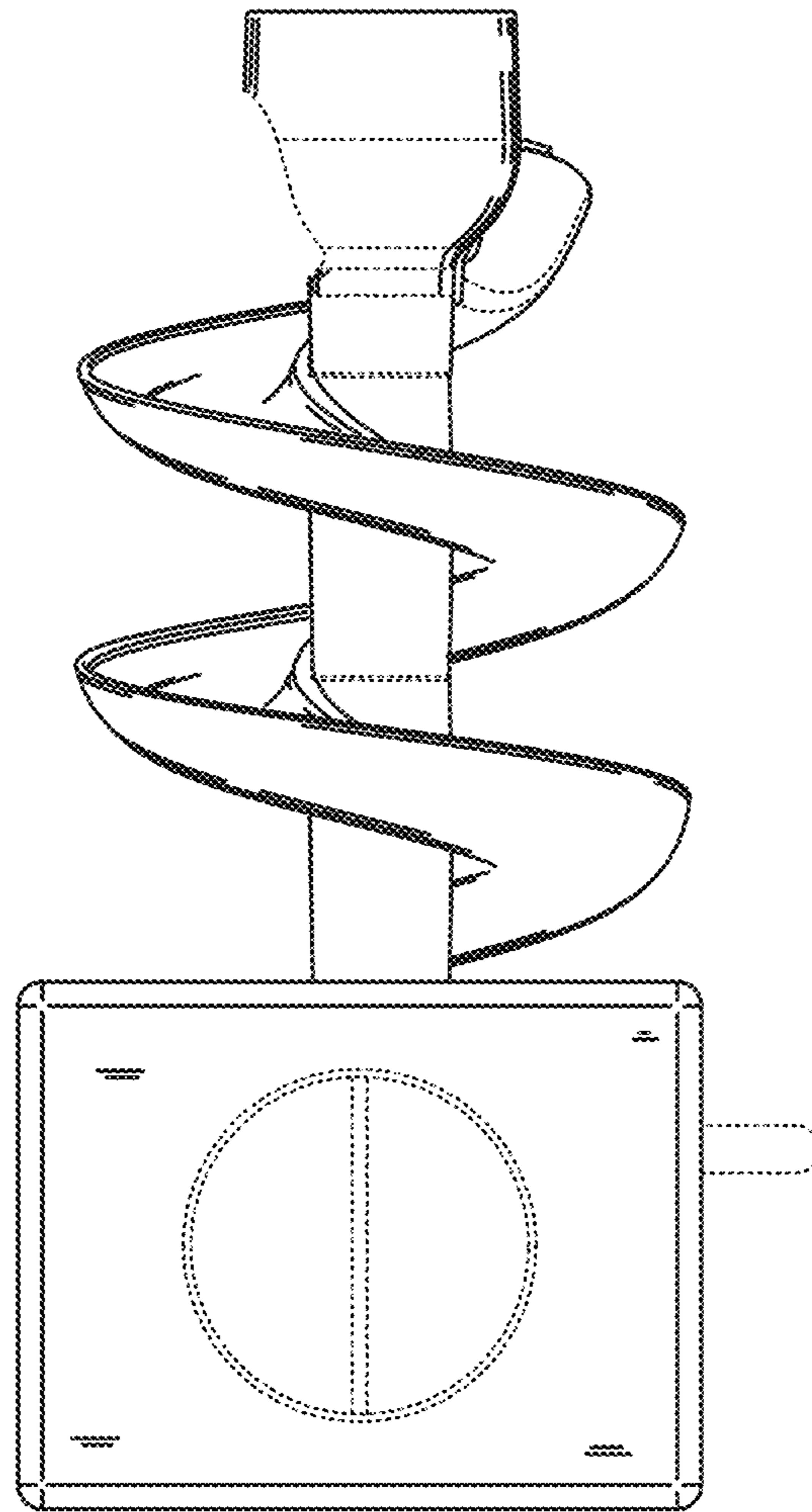


FIG. 5

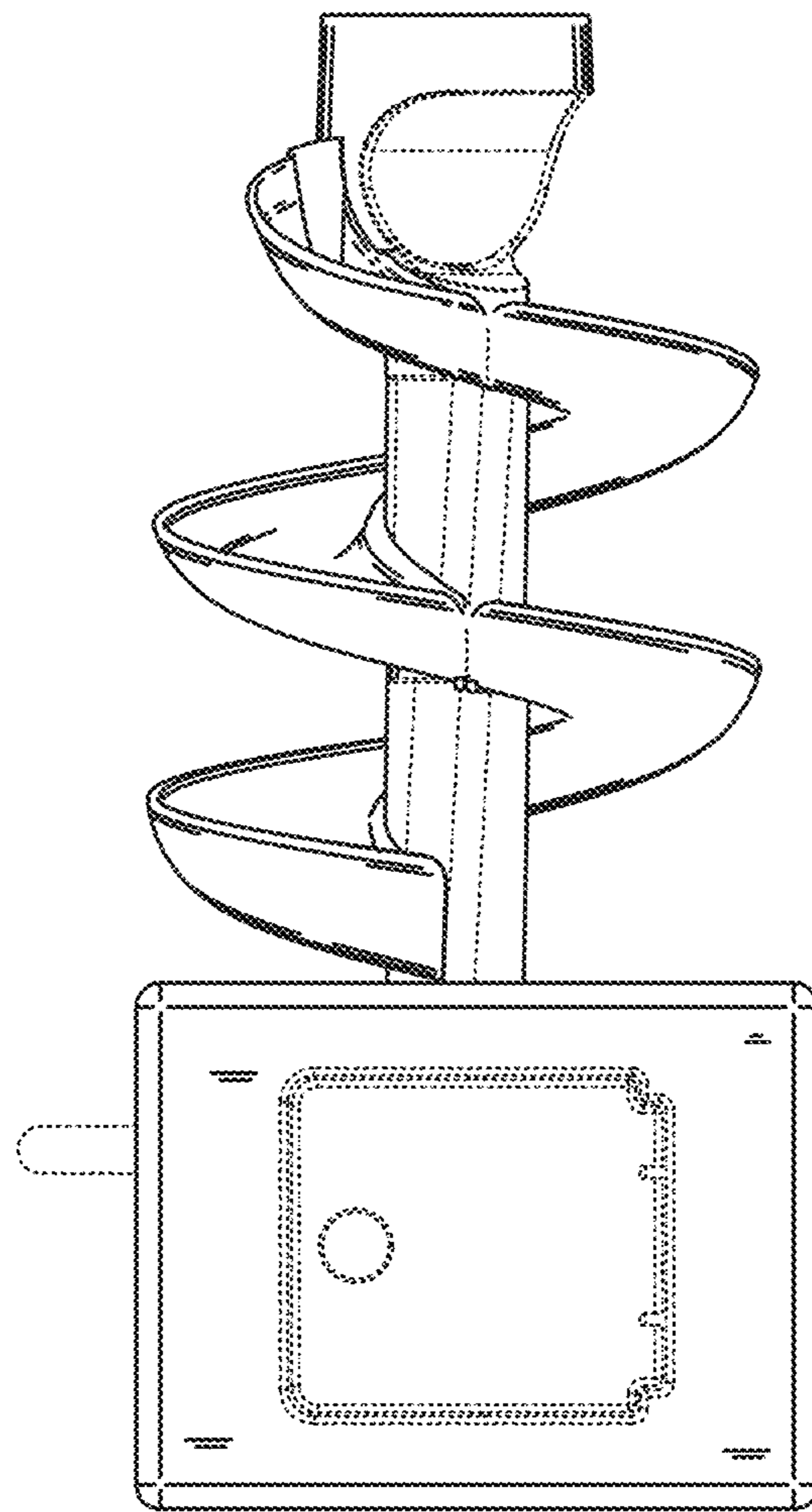


FIG. 6

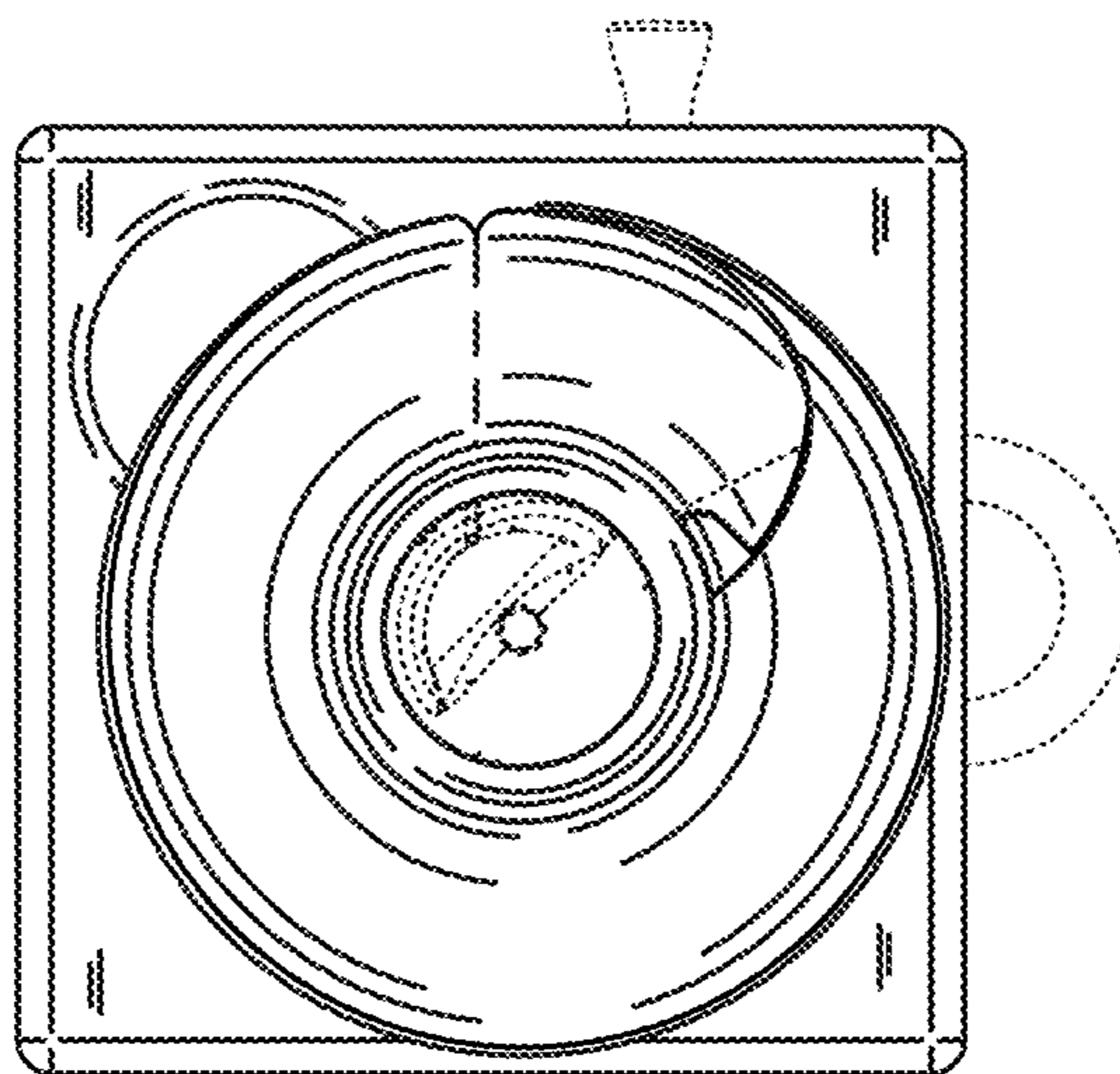


FIG. 7

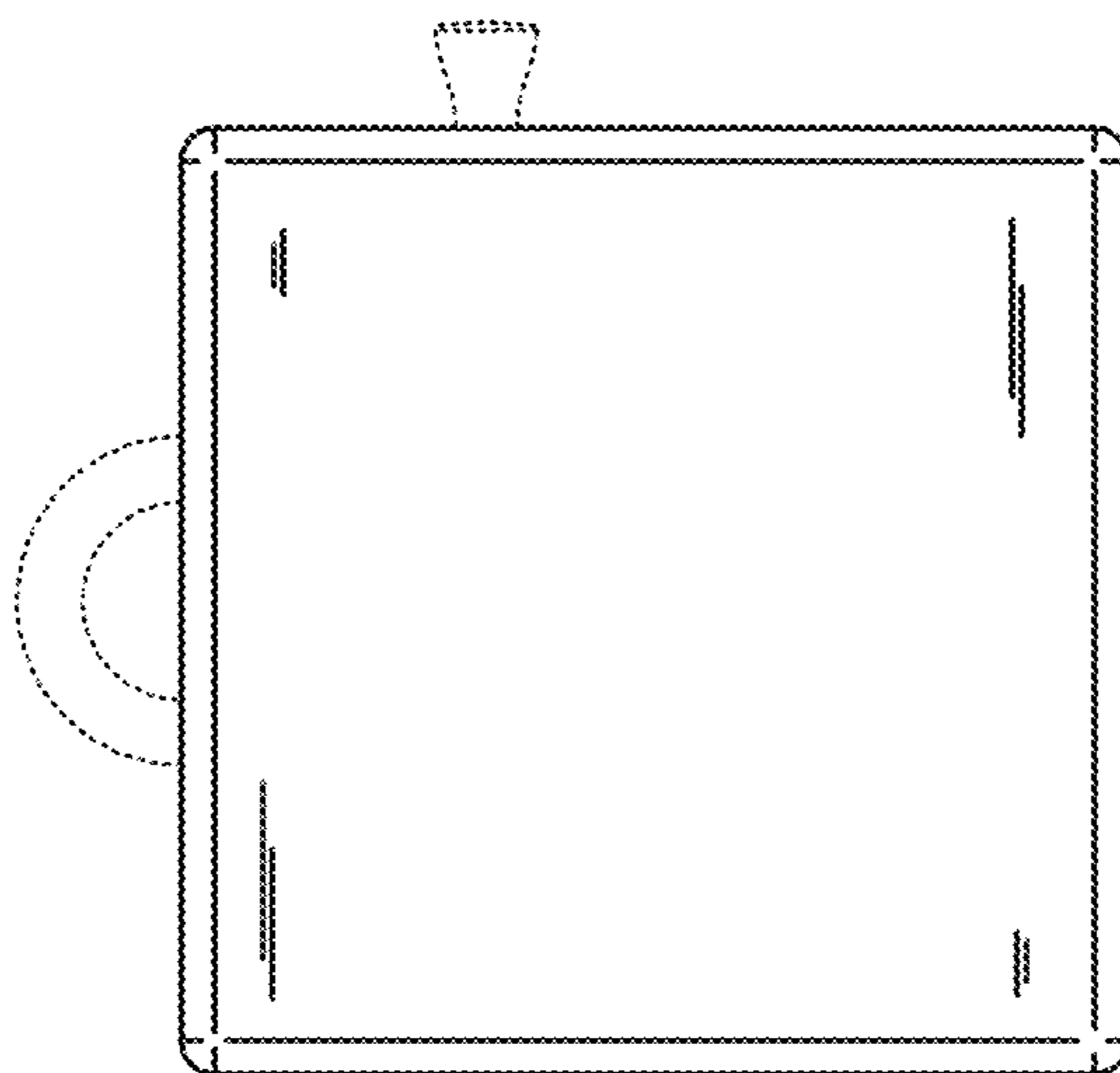


FIG. 8