



US00D939027S

(12) **United States Design Patent** (10) **Patent No.:** **US D939,027 S**
Bruzzese et al. (45) **Date of Patent:** **** Dec. 21, 2021**

(54) **GAMING MACHINE CABINET**

(71) Applicant: **Ainsworth Game Technology Limited**,
Newington (AU)

(72) Inventors: **Vincent Carmelo Bruzzese**, Oatlands
(AU); **Scott Paul Shelley**, Heathcote
(AU); **Daniel John Shaw**, Gymea Bay
(AU); **Ivan Antonio Valdes**, Pemulwuy
(AU); **Stephen Endre Hadanich**,
Chittaway Point (AU); **Matthew
Whitbread**, The Oaks (AU)

D591,799 S 5/2009 Yang
D605,231 S 12/2009 Hashimoto et al.
D622,781 S 8/2010 Lesley et al.
D626,182 S 10/2010 Cole et al.
D632,342 S 2/2011 Wen
D633,950 S 3/2011 Terpstra et al.
D646,336 S 10/2011 Kelly et al.
D646,337 S 10/2011 Kelly et al.
D658,721 S 5/2012 Yang
D677,736 S 3/2013 Dorn et al.
D685,033 S 6/2013 Wudtke
D685,435 S 7/2013 Hohman et al.
D691,665 S 10/2013 Chudek

(Continued)

(73) Assignee: **Ainsworth Game Technology Limited**,
Newington (AU)

Primary Examiner — Khawaja Anwar
Assistant Examiner — Julice Seung Eun Oum
(74) *Attorney, Agent, or Firm* — Cook Alex Ltd.

(**) Term: **15 Years**

(57) **CLAIM**

(21) Appl. No.: **29/718,776**

The ornamental design for a gaming machine cabinet, as shown and described.

(22) Filed: **Dec. 27, 2019**

DESCRIPTION

(51) **LOC (13) Cl.** **21-03**

(52) **U.S. Cl.**
USPC **D21/369**

(58) **Field of Classification Search**
USPC D21/349, 350, 397, 329, 332, 333, 365,
D21/385, 694, 371, 325, 324, 336, 369,
D21/370

CPC A63F 7/027; A63F 9/00; A63F 5/04; A63F
7/02; G07F 17/321; G07F 17/3213

See application file for complete search history.

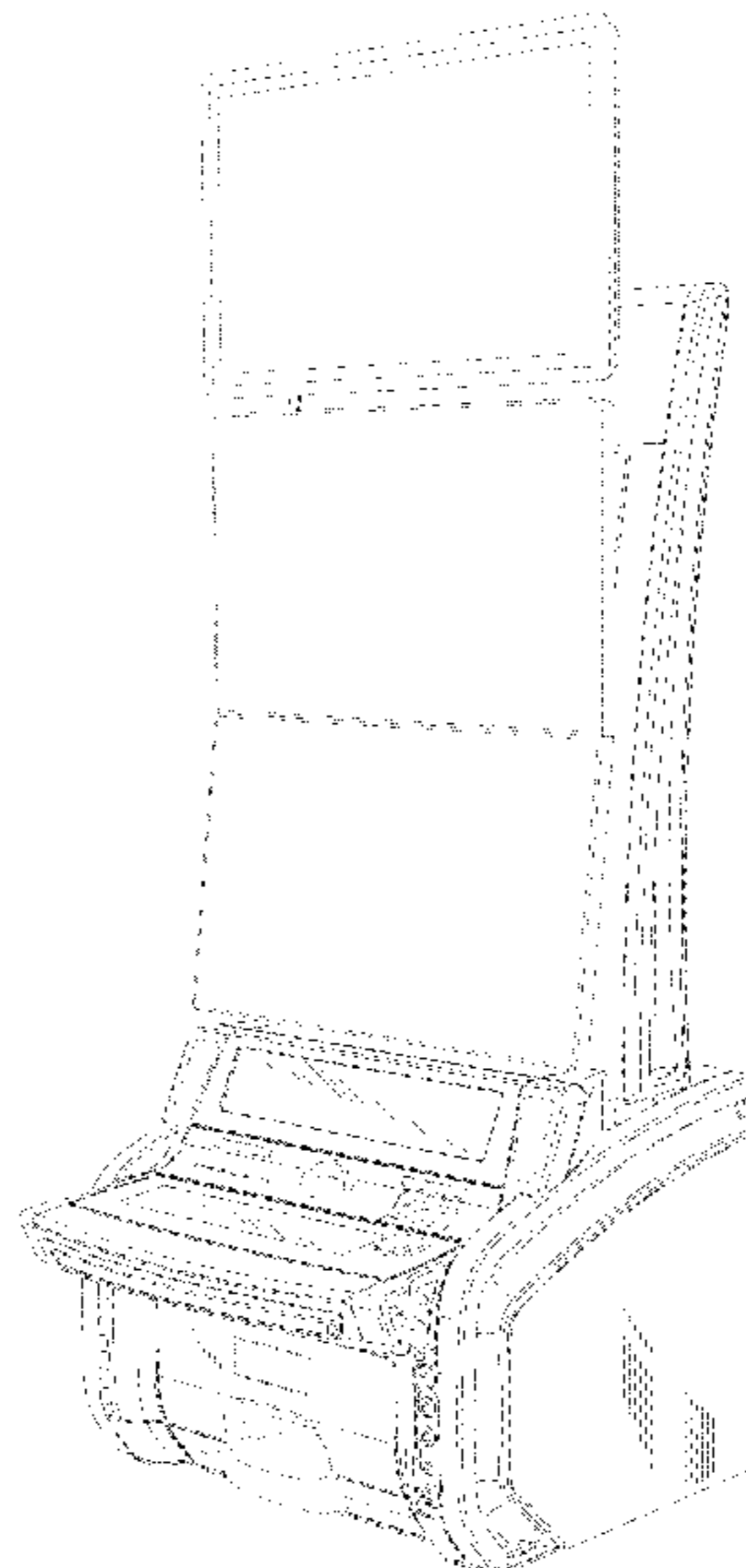
FIG. 1 is a perspective view of a gaming machine cabinet showing my new design;
FIG. 2 is a frontal view of the gaming machine cabinet of FIG. 1;
FIG. 3 is a rear view of the gaming machine cabinet of FIG. 1;
FIG. 4 is a side view of the gaming machine cabinet of FIG. 1;
FIG. 5 is an opposite side view of the gaming machine cabinet of FIG. 1;
FIG. 6 is a top view of the gaming machine cabinet of FIG. 1; and,
FIG. 7 is a bottom view of the gaming machine cabinet of FIG. 1.
The broken lines shown in the drawings illustrate portions of the gaming machine cabinet that form no part of the claimed design.

(56) **References Cited**

U.S. PATENT DOCUMENTS

D481,078 S 10/2003 Stephan
D487,582 S 3/2004 McGahn et al.
D535,338 S 1/2007 Linard et al.
D554,708 S 11/2007 Gutknecht et al.
D560,724 S 1/2008 Johnson
D560,725 S 1/2008 Johnson
D572,314 S 7/2008 Vallejo et al.

1 Claim, 6 Drawing Sheets



(56)

References Cited

U.S. PATENT DOCUMENTS

D697,558 S 1/2014 Myers et al.
 D704,273 S * 5/2014 Chudek D21/369
 D706,741 S 6/2014 Myers
 D708,676 S 7/2014 Ballman et al.
 D712,975 S 9/2014 Lesley et al.
 D714,875 S 10/2014 Wudtke et al.
 D715,364 S 10/2014 Wudtke et al.
 D719,615 S 12/2014 Inoue et al.
 D719,616 S 12/2014 Inoue et al.
 D727,431 S 4/2015 Themann
 D730,993 S * 6/2015 Castro D21/385
 D732,520 S * 6/2015 Themann D14/307
 D740,887 S 10/2015 Randazzo
 D740,888 S 10/2015 DePalma et al.
 D742,974 S 11/2015 Lesley et al.
 D742,975 S 11/2015 Myers et al.
 D760,846 S * 7/2016 Castro D21/385
 RE46,169 E 10/2016 Kelley et al.
 D801,435 S 10/2017 Themann
 D803,323 S 11/2017 Bussey et al.
 D812,146 S 3/2018 Castro et al.
 D812,147 S 3/2018 Castro et al.
 D812,148 S 3/2018 Castro et al.
 D812,149 S 3/2018 Castro et al.
 D818,048 S * 5/2018 Calhoun D21/369
 D819,747 S 6/2018 Castro et al.
 D820,915 S 6/2018 Lee et al.
 D832,355 S 10/2018 Castro et al.
 D832,356 S 10/2018 Castro et al.
 D832,357 S 10/2018 Castro et al.
 D832,358 S 10/2018 Castro et al.
 D836,164 S 12/2018 Castro et al.

D839,357 S 1/2019 Steelman et al.
 D842,930 S 3/2019 Johnson et al.
 D842,932 S 3/2019 Stair et al.
 D843,458 S 3/2019 Castro et al.
 D843,459 S 3/2019 Castro et al.
 D843,460 S 3/2019 Castro et al.
 D843,461 S 3/2019 Castro et al.
 D843,462 S 3/2019 Castro et al.
 D843,464 S 3/2019 Castro et al.
 D843,465 S 3/2019 Castro et al.
 D843,466 S 3/2019 Castro et al.
 D843,467 S 3/2019 Johnson et al.
 D843,468 S 3/2019 Johnson et al.
 D843,473 S 3/2019 Zedell, Jr. et al.
 D843,474 S 3/2019 Lesley et al.
 D843,475 S 3/2019 Lesley et al.
 D843,476 S 3/2019 Lesley et al.
 D843,477 S 3/2019 Lesley et al.
 D843,478 S 3/2019 Lesley et al.
 D843,479 S 3/2019 Castro et al.
 D843,480 S 3/2019 Castro et al.
 D843,482 S 3/2019 Holland et al.
 D844,062 S 3/2019 Lesley et al.
 D846,649 S 4/2019 Schoonmaker et al.
 D846,650 S 4/2019 Stair et al.
 D849,150 S 5/2019 Gallager et al.
 D850,536 S 6/2019 Stair et al.
 D850,537 S 6/2019 Urban et al.
 D851,705 S 6/2019 Steelman et al.
 D854,620 S * 7/2019 Yeh D21/369
 D854,621 S * 7/2019 Calhoun D21/369
 D858,641 S * 9/2019 Legras D21/370
 D858,642 S * 9/2019 Legras D21/370
 D893,628 S * 8/2020 Thoeni D21/300
 D907,707 S * 1/2021 DeMarco D21/369

* cited by examiner

FIG. 1

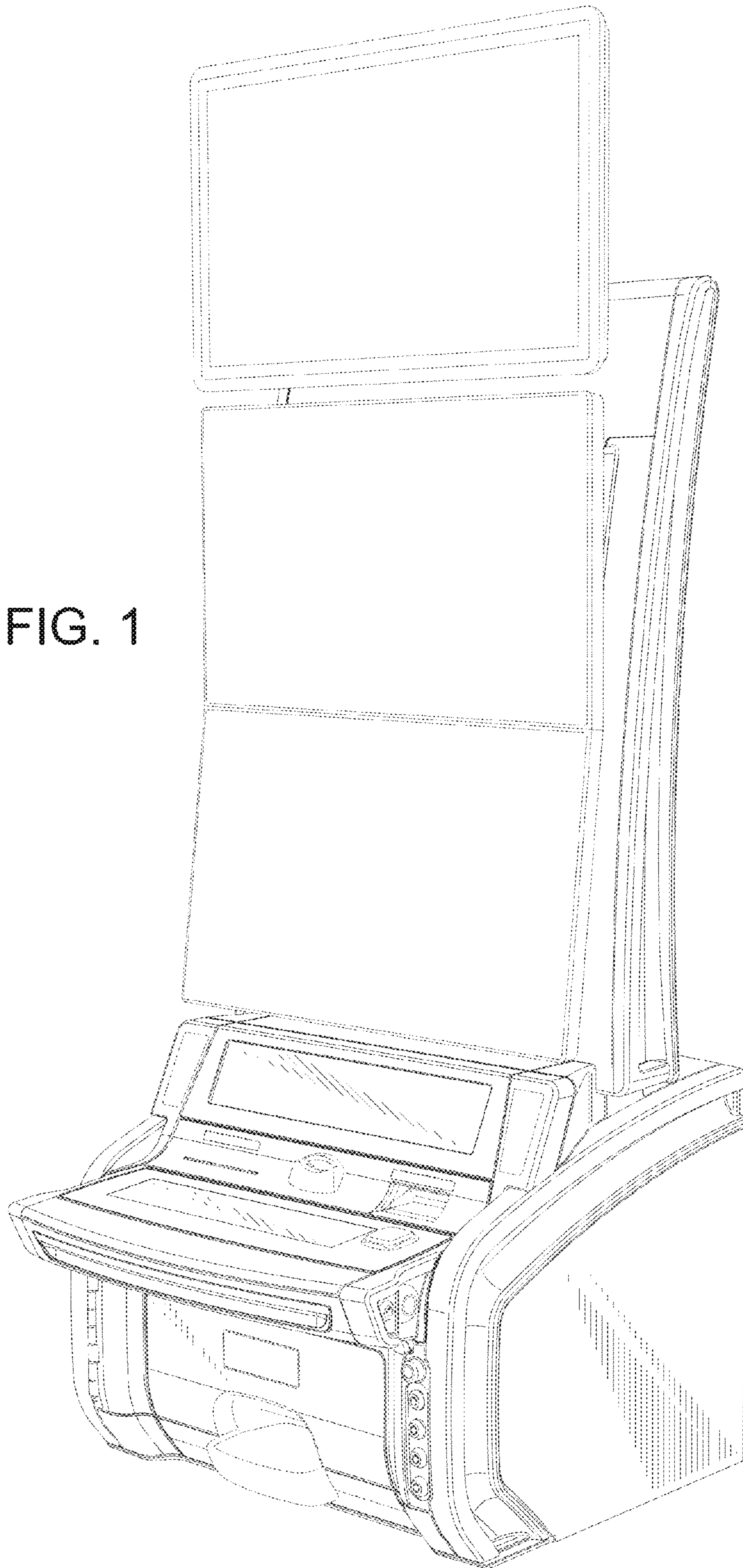


FIG. 2

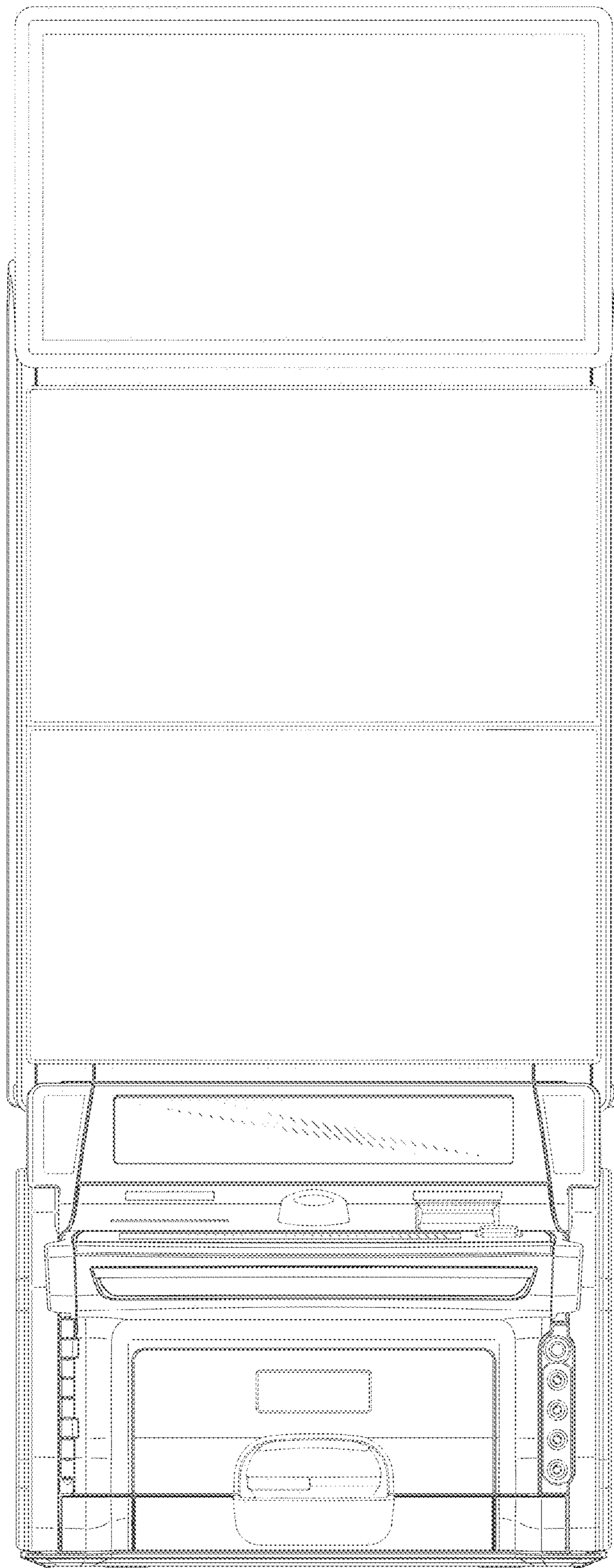


FIG. 3

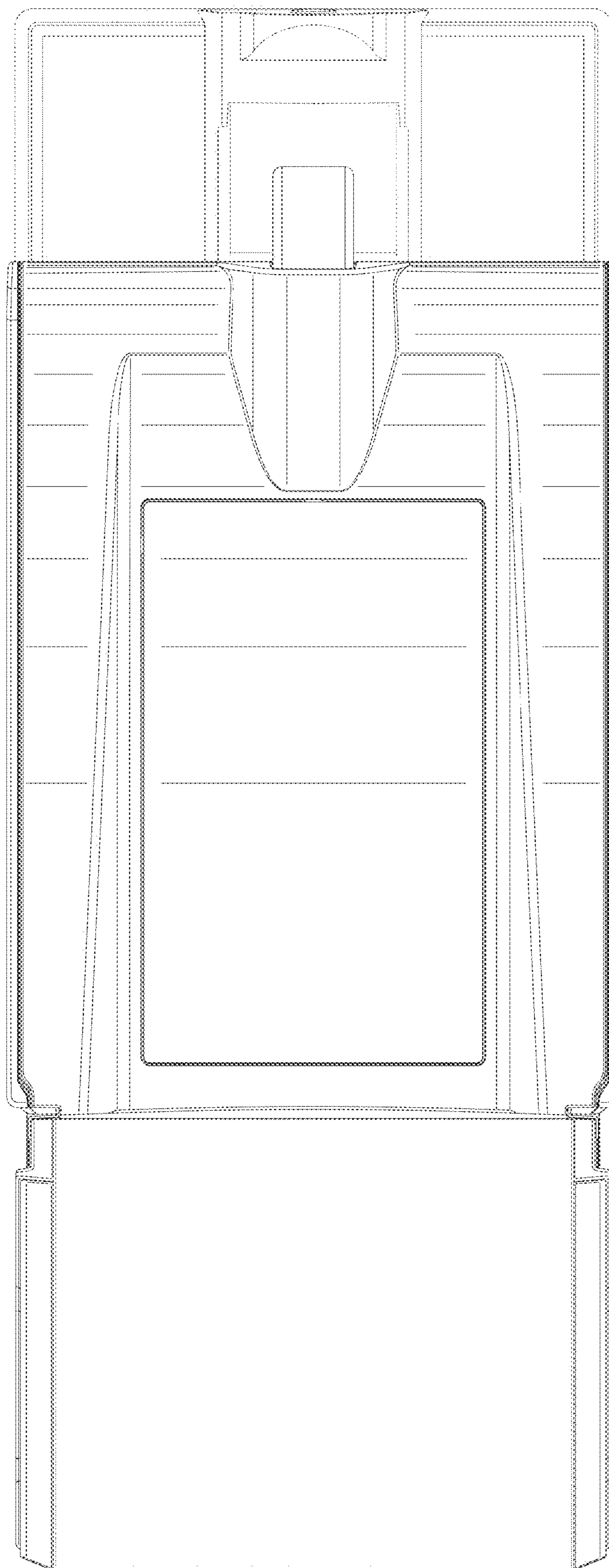


FIG. 4

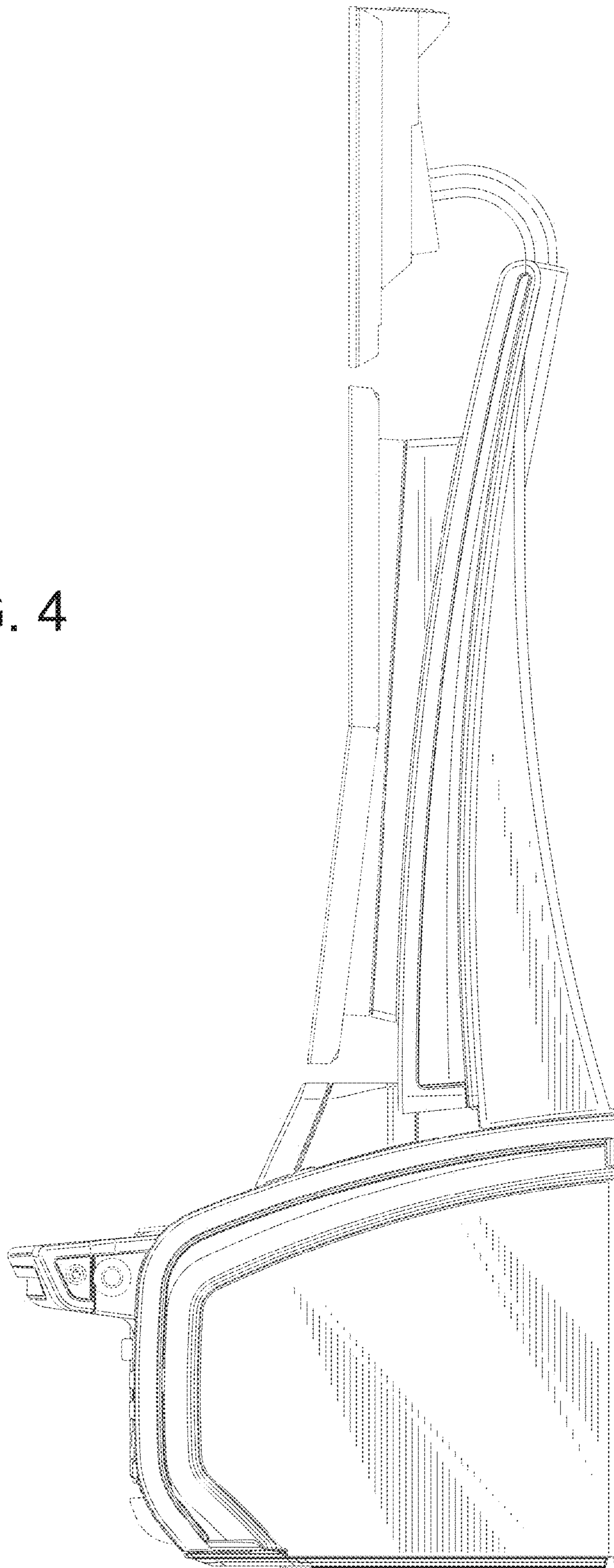


FIG. 5

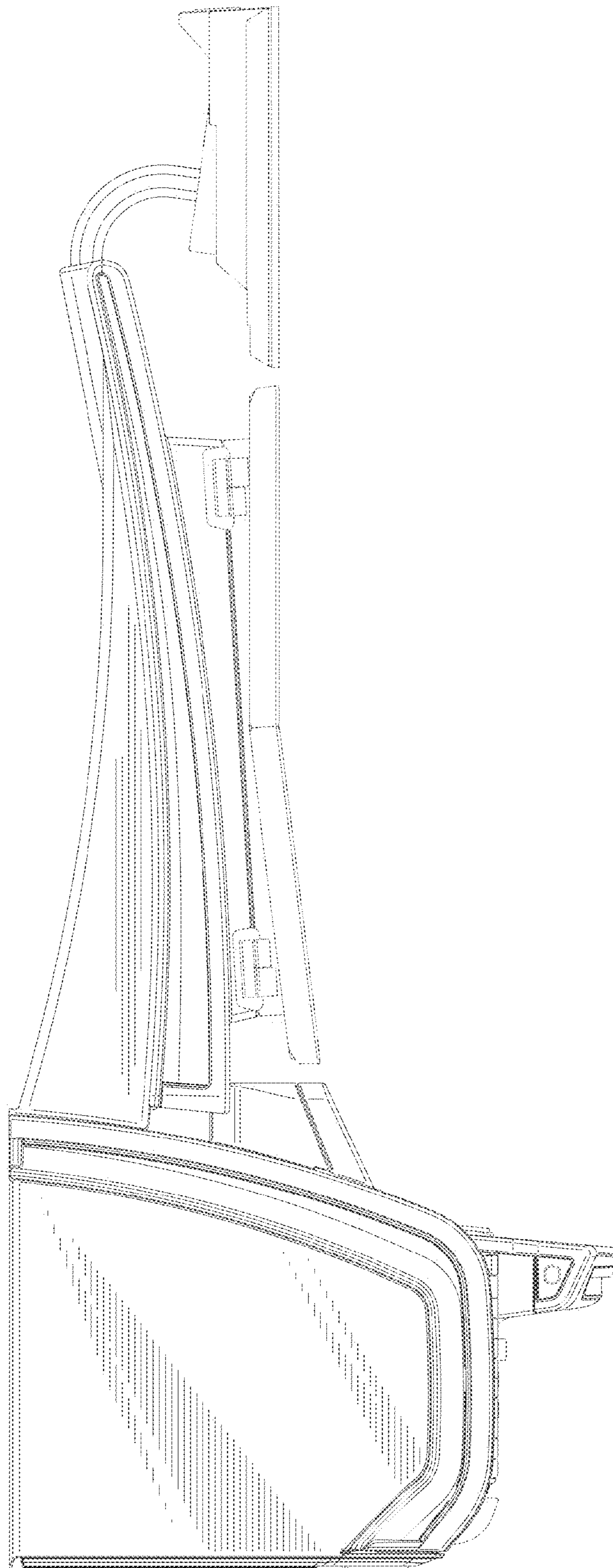


FIG. 6

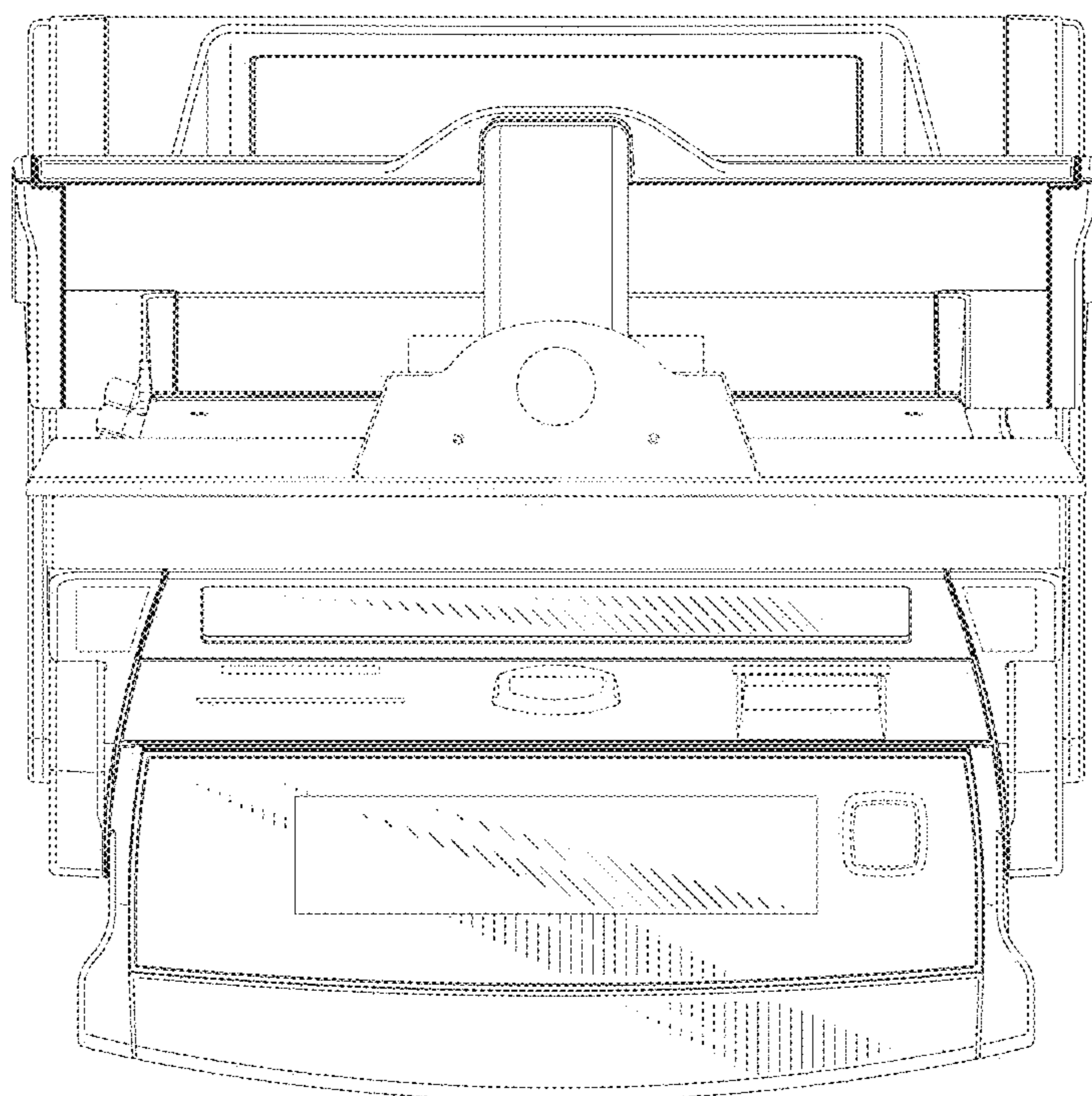


FIG. 7

