



US00D939026S

(12) **United States Design Patent** (10) **Patent No.:** **US D939,026 S**
Bruzzese et al. (45) **Date of Patent:** **** Dec. 21, 2021**

(54) **GAMING MACHINE CABINET AND SCREEN**

(71) Applicant: **Ainsworth Game Technology Limited**,
Newington (AU)

(72) Inventors: **Vincent Carmelo Bruzzese**, Oatlands
(AU); **Scott Paul Shelley**, Heathcote
(AU); **Daniel John Shaw**, Gymea Bay
(AU); **Ivan Antonio Valdes**, Pemulwuy
(AU); **Stephen Endre Hadanich**,
Chittaway Point (AU); **Matthew
Whitbread**, The Oaks (AU)

(73) Assignee: **Ainsworth Game Technology Limited**,
Newington (AU)

(**) Term: **15 Years**

(21) Appl. No.: **29/718,775**

(22) Filed: **Dec. 27, 2019**

(51) **LOC (13) Cl.** **21-03**

(52) **U.S. Cl.**
USPC **D21/369**

(58) **Field of Classification Search**
USPC D21/349, 350, 397, 329, 332, 333, 365,
D21/385, 694, 371, 325, 324, 336, 369,
D21/370
CPC A63F 7/027; A63F 9/00; A63F 5/04; A63F
7/02; G07F 17/321; G07F 17/3213
See application file for complete search history.

(56) **References Cited**

U.S. PATENT DOCUMENTS

D481,078 S	10/2003	Stephan
D535,338 S	1/2007	Linard et al.
D554,708 S	11/2007	Gutknecht et al.
D560,724 S	1/2008	Johnson
D560,725 S	1/2008	Johnson
D572,314 S	7/2008	Vallejo et al.
D591,799 S	5/2009	Yang

D605,231 S	12/2009	Hashimoto et al.
D622,781 S	8/2010	Lesley et al.
D626,182 S	10/2010	Cole et al.
D632,342 S	2/2011	Wen
D633,950 S	3/2011	Terpstra et al.
D658,721 S	5/2012	Yang
D677,736 S	3/2013	Dorn et al.
D685,435 S	7/2013	Hohman et al.
D691,665 S	10/2013	Chudek
D697,558 S	1/2014	Myers et al.
D704,273 S *	5/2014	Chudek D21/369
D708,676 S	7/2014	Ballman et al.

(Continued)

Primary Examiner — Khawaja Anwar
Assistant Examiner — Julice Seung Eun Oum
(74) *Attorney, Agent, or Firm* — Cook Alex Ltd.

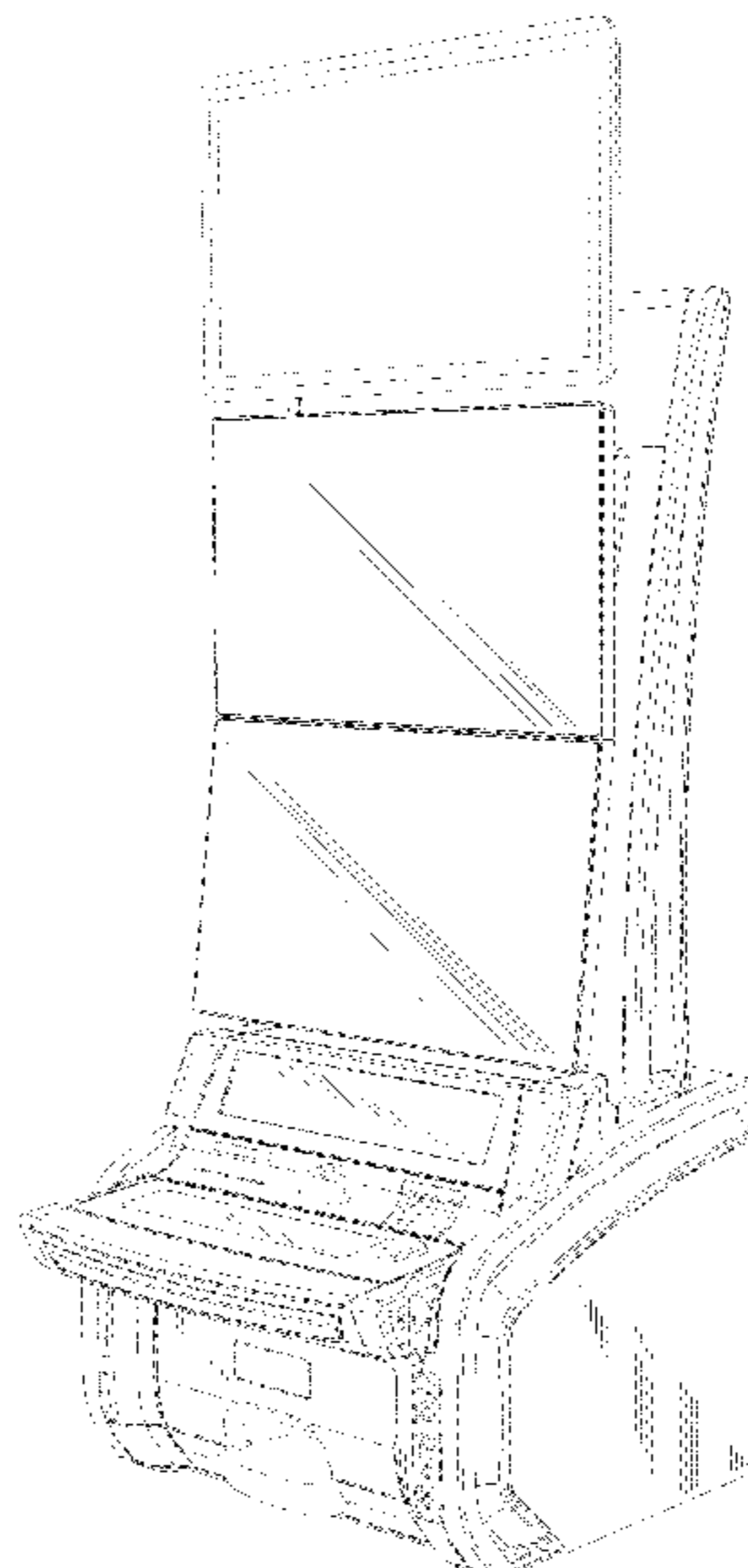
(57) **CLAIM**

The ornamental design for a gaming machine cabinet and screen, as shown and described.

DESCRIPTION

FIG. 1 is a perspective view of a gaming machine cabinet and screen showing my new design;
FIG. 2 is a frontal view of the gaming machine cabinet and screen of FIG. 1;
FIG. 3 is a rear view of the gaming machine cabinet and screen of FIG. 1;
FIG. 4 is a side view of the gaming machine cabinet and screen of FIG. 1;
FIG. 5 is an opposite side view of the gaming machine cabinet and screen of FIG. 1;
FIG. 6 is a top view of the gaming machine cabinet and screen of FIG. 1; and,
FIG. 7 is a bottom view of the gaming machine cabinet and screen of FIG. 1.
The broken lines shown in the drawings illustrate portions of the gaming machine cabinet and screen that form no part of the claimed design.

1 Claim, 6 Drawing Sheets



(56)

References Cited

U.S. PATENT DOCUMENTS

D727,431	S	4/2015	Themann	
D730,993	S *	6/2015	Castro	D21/385
D732,520	S *	6/2015	Themann	D14/307
D740,887	S	10/2015	Randazzo	
D760,846	S *	7/2016	Castro	D21/385
D801,435	S	10/2017	Themann	
D803,323	S	11/2017	Bussey et al.	
D818,048	S *	5/2018	Calhoun	D21/369
D839,357	S	1/2019	Steelman et al.	
D846,649	S	4/2019	Schoonmaker et al.	
D849,150	S	5/2019	Gallagher et al.	
D851,705	S	6/2019	Steelman et al.	
D854,620	S *	7/2019	Yeh	D21/369
D854,621	S *	7/2019	Calhoun	D21/369
D858,641	S *	9/2019	Legras	D21/370
D858,642	S *	9/2019	Legras	D21/370
D893,628	S *	8/2020	Thoeni	D21/300
D907,707	S *	1/2021	DeMarco	D21/369
D913,379	S *	3/2021	Calhoun Lewis	D21/369

* cited by examiner

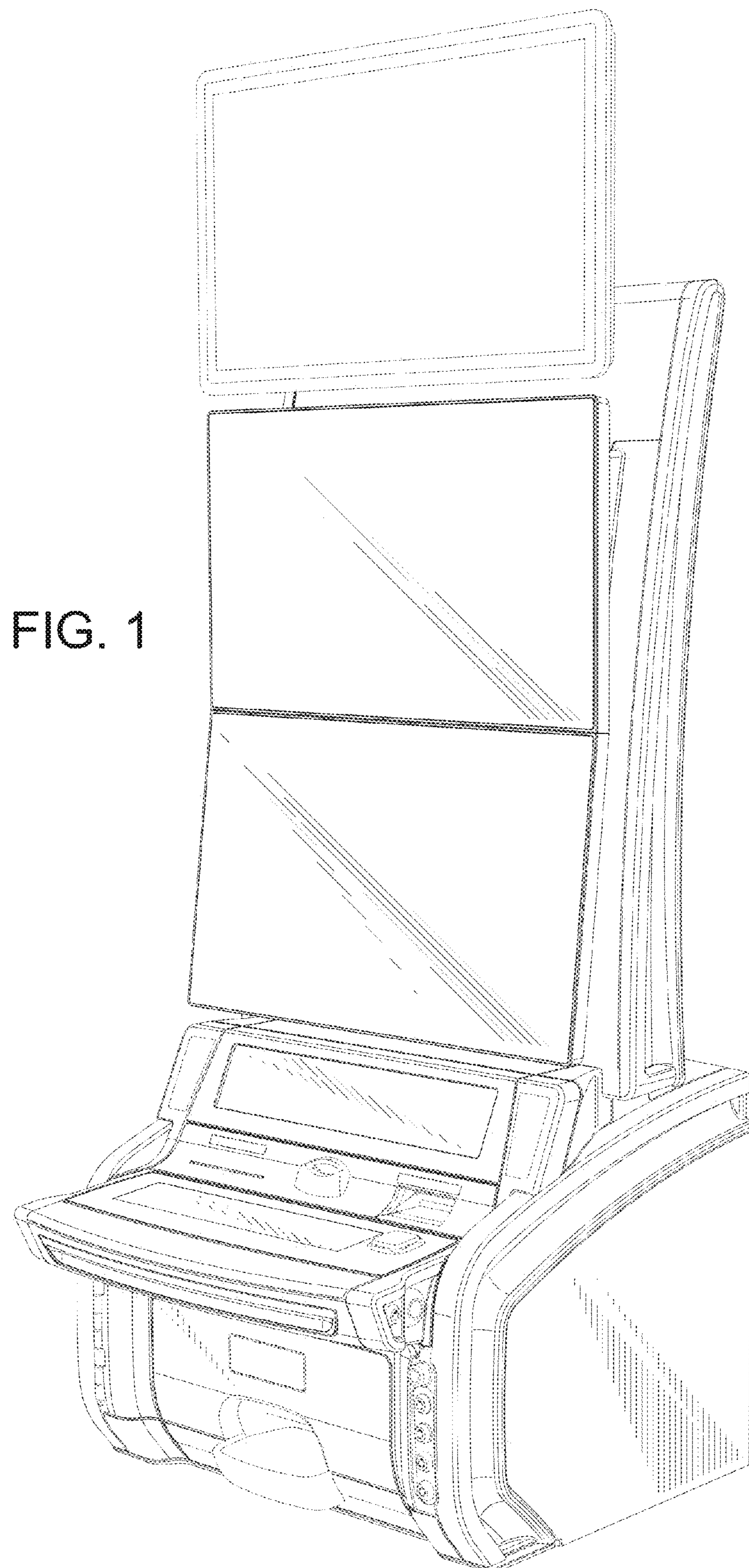


FIG. 1

FIG. 2

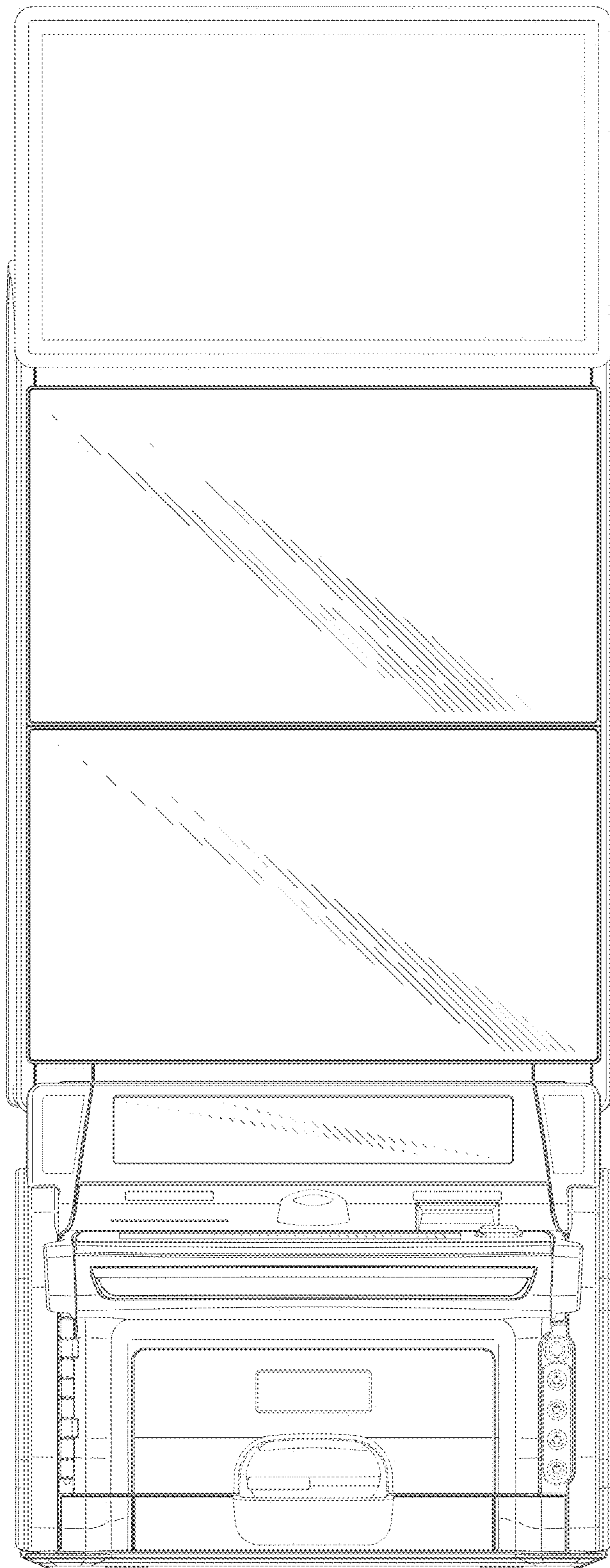


FIG. 3

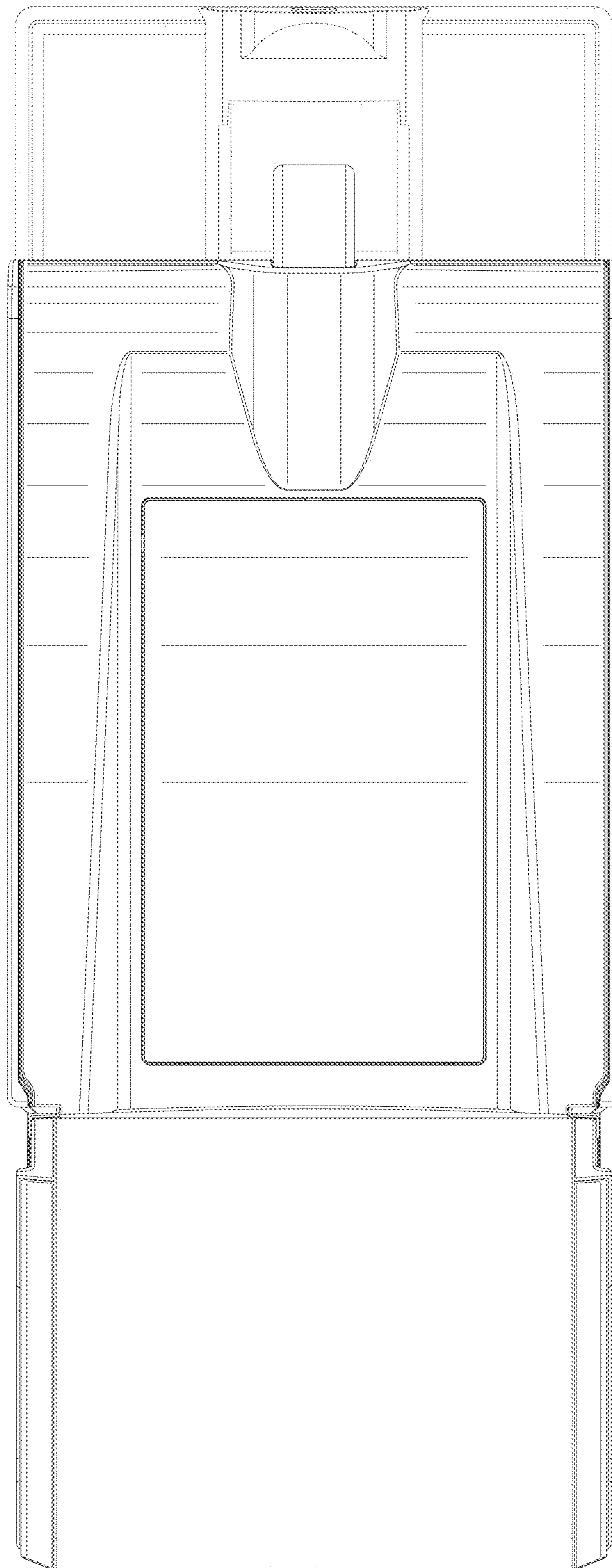


FIG. 4

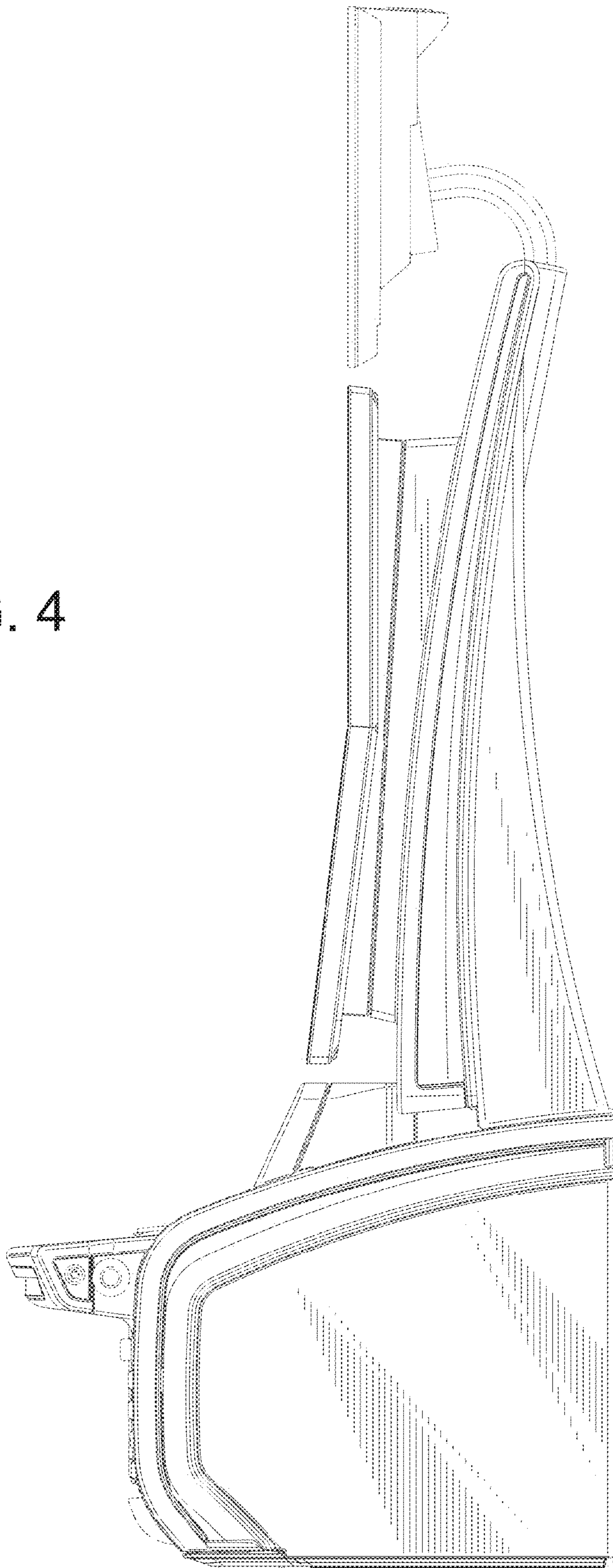


FIG. 5

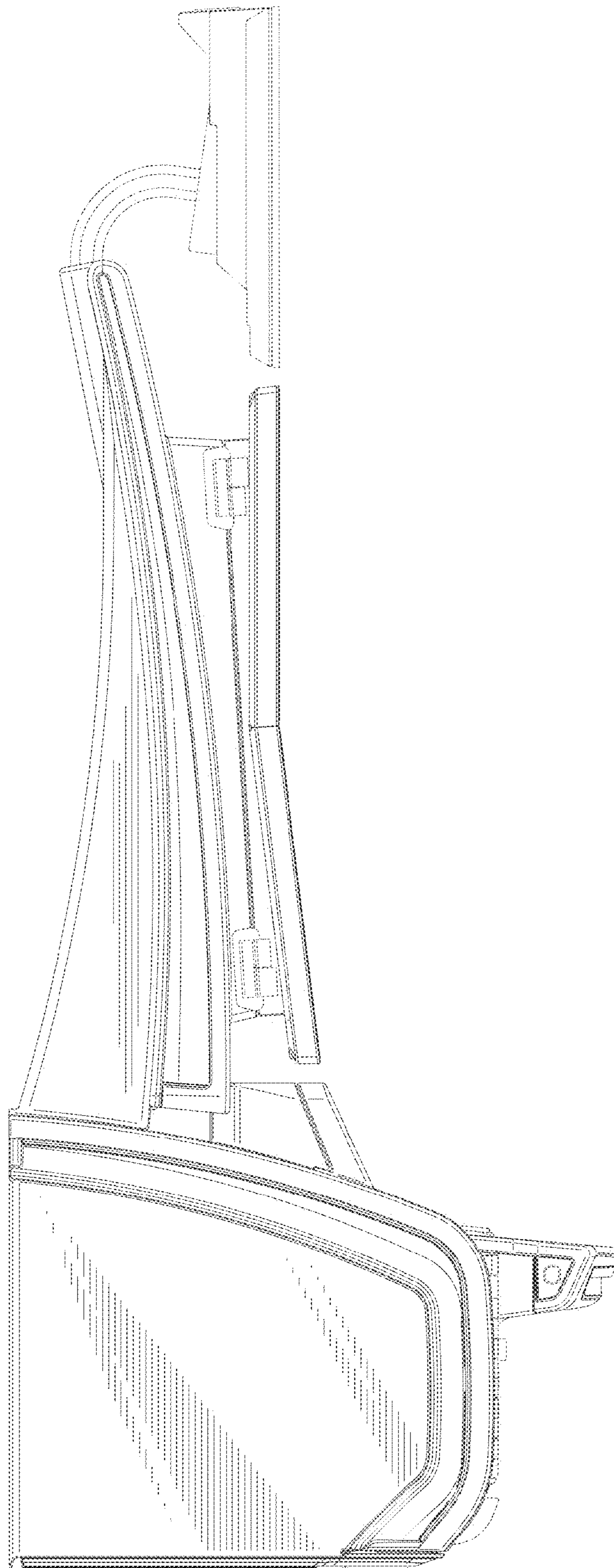


FIG. 6

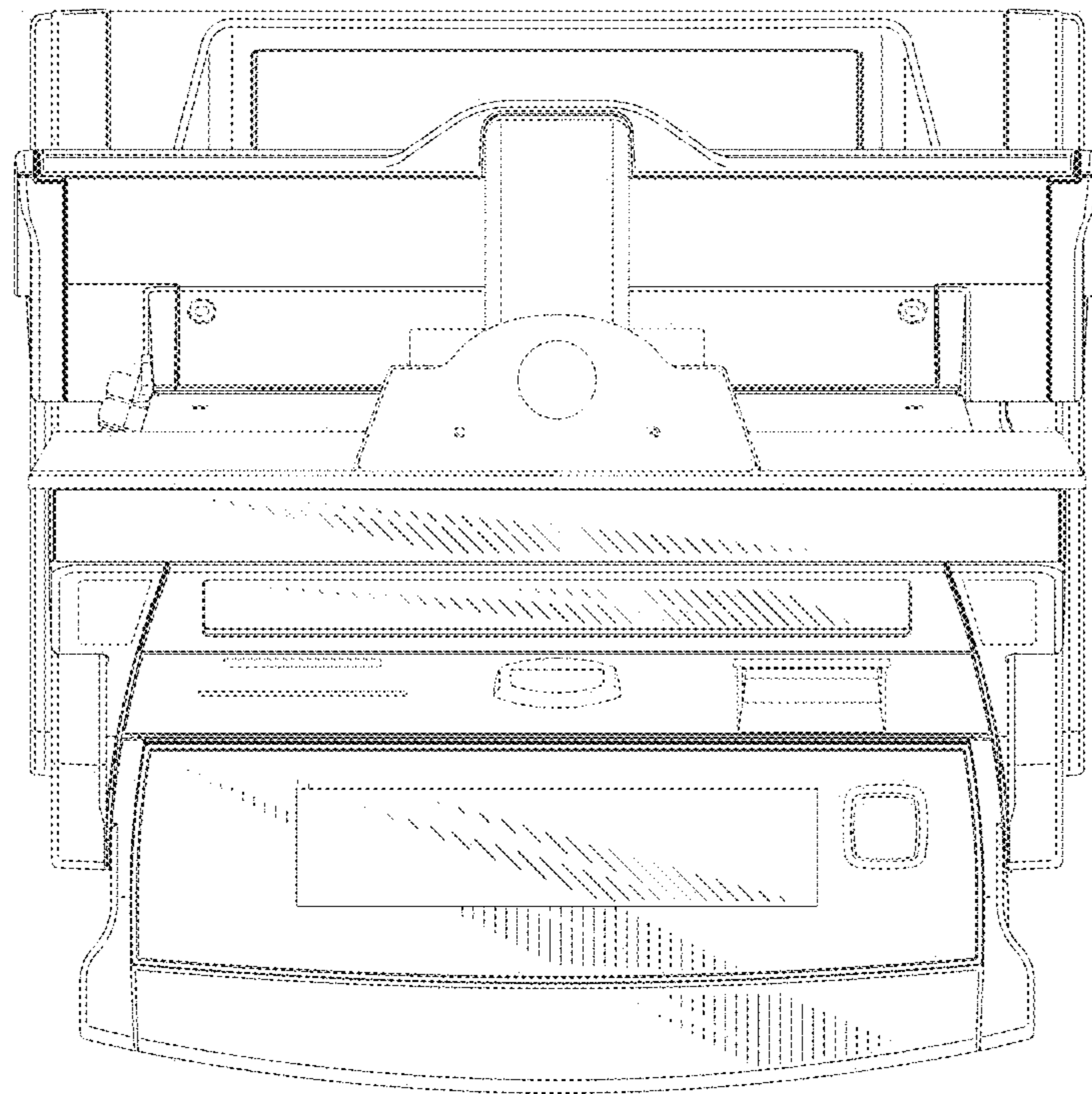


FIG. 7

