



US00D939025S

(12) **United States Design Patent** (10) **Patent No.:** **US D939,025 S**
Bruzzese et al. (45) **Date of Patent:** **** Dec. 21, 2021**

(54) **GAMING MACHINE CABINET AND SCREEN**

(71) Applicant: **Ainsworth Game Technology Limited**,
Newington (AU)

(72) Inventors: **Vincent Carmelo Bruzzese**, Oatlands
(AU); **Scott Paul Shelley**, Heathcote
(AU); **Daniel John Shaw**, Gymea Bay
(AU); **Ivan Antonio Valdes**, Pemulwuy
(AU); **Stephen Endre Hadanich**,
Chittaway Point (AU); **Matthew
Whitbread**, The Oaks (AU)

(73) Assignee: **Ainsworth Game Technology Limited**,
Newington (AU)

(**) Term: **15 Years**

(21) Appl. No.: **29/718,773**

(22) Filed: **Dec. 27, 2019**

(51) **LOC (13) Cl.** **21-03**

(52) **U.S. Cl.**
USPC **D21/369**

(58) **Field of Classification Search**
USPC D21/349, 350, 397, 329, 332, 333, 365,
D21/385, 694, 371, 325, 324, 336, 369,
D21/370
CPC A63F 7/027; A63F 9/00; A63F 5/04; A63F
7/02; G07F 17/321; G07F 17/3213
See application file for complete search history.

(56) **References Cited**

U.S. PATENT DOCUMENTS

D405,963 S * 2/1999 Arbak D6/310
D487,582 S 3/2004 McGahn et al.
D506,331 S * 6/2005 Quintal D6/332
D560,724 S 1/2008 Johnson
D560,725 S 1/2008 Johnson
D646,336 S 10/2011 Kelly et al.
D646,337 S 10/2011 Kelly et al.

D685,033 S 6/2013 Wudtke
D706,741 S 6/2014 Myers
D712,975 S 9/2014 Lesley et al.
D714,875 S 10/2014 Wudtke et al.
D715,364 S 10/2014 Wudtke et al.
D719,615 S 12/2014 Inoue et al.
D719,616 S 12/2014 Inoue et al.
D740,888 S 10/2015 DePalma et al.
D742,974 S 11/2015 Lesley et al.
D742,975 S 11/2015 Myers et al.
RE46,169 E * 10/2016 Kelly G07F 17/3211
D21/370

(Continued)

Primary Examiner — Khawaja Anwar

Assistant Examiner — Julice Seung Eun Oum

(74) *Attorney, Agent, or Firm* — Cook Alex Ltd.

(57) **CLAIM**

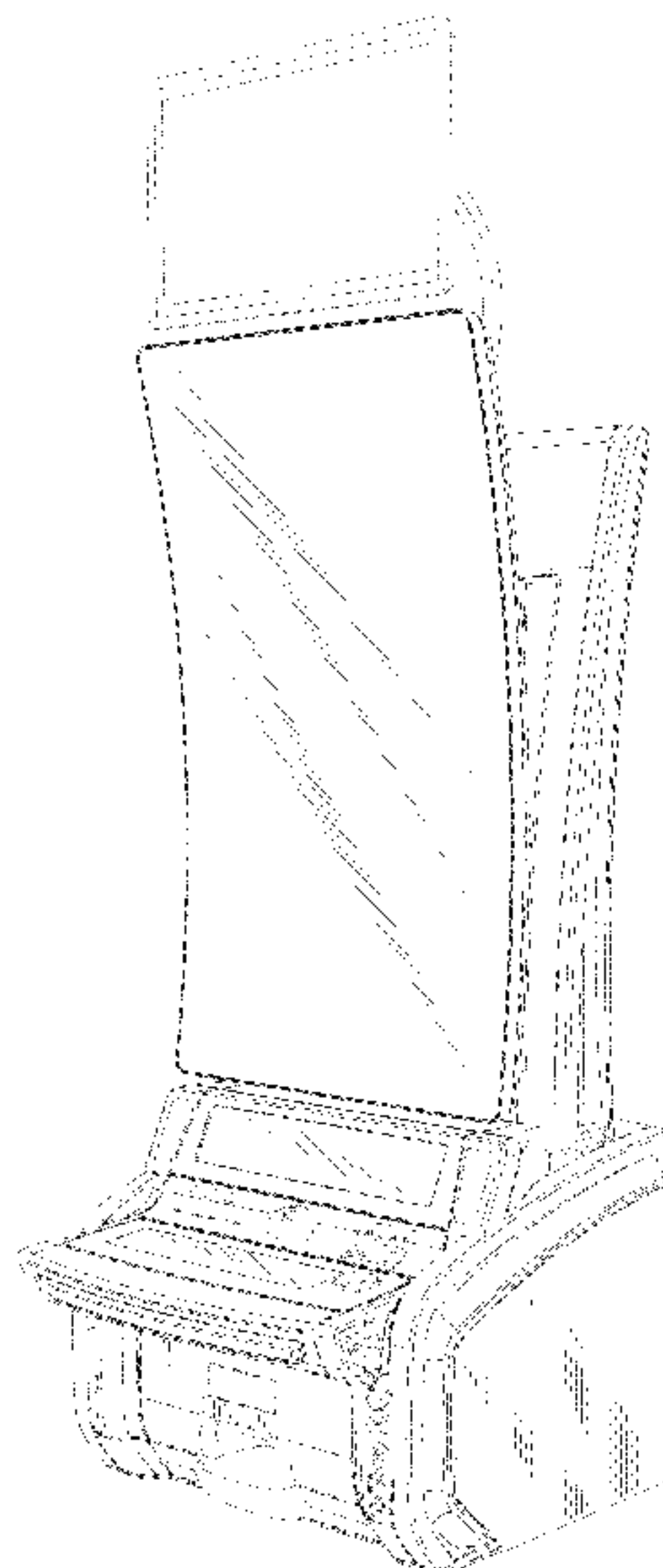
The ornamental design for a gaming machine cabinet and screen, as shown and described.

DESCRIPTION

FIG. 1 is a perspective view of a gaming machine cabinet and screen showing my new design;
FIG. 2 is a frontal view of the gaming machine cabinet and screen of FIG. 1;
FIG. 3 is a rear view of the gaming machine cabinet and screen of FIG. 1;
FIG. 4 is a side view of the gaming machine cabinet and screen of FIG. 1;
FIG. 5 is an opposite side view of the gaming machine cabinet and screen of FIG. 1;
FIG. 6 is a top view of the gaming machine cabinet and screen of FIG. 1; and,
FIG. 7 is a bottom view of the gaming machine cabinet and screen of FIG. 1.

The broken lines shown in the drawings illustrate portions of the gaming machine cabinet and screen that form no part of the claimed design.

1 Claim, 6 Drawing Sheets



(56)

References Cited

U.S. PATENT DOCUMENTS

D796,724 S *	9/2017	Sonneman	D26/85	D843,474 S	3/2019	Lesley et al.
D812,146 S	3/2018	Castro et al.			D843,475 S	3/2019	Lesley et al.
D812,147 S	3/2018	Castro et al.			D843,476 S	3/2019	Lesley et al.
D812,148 S *	3/2018	Castro	D21/369	D843,477 S	3/2019	Lesley et al.
D812,149 S	3/2018	Castro et al.			D843,478 S	3/2019	Lesley et al.
D819,747 S *	6/2018	Castro	D21/369	D843,479 S	3/2019	Castro et al.
D820,915 S *	6/2018	Lee	D21/369	D843,480 S	3/2019	Castro et al.
D832,355 S	10/2018	Castro et al.			D843,482 S	3/2019	Holland et al.
D832,356 S	10/2018	Castro et al.			D844,062 S	3/2019	Lesley et al.
D832,357 S	10/2018	Castro et al.			D846,650 S	4/2019	Stair et al.
D832,358 S	10/2018	Castro et al.			D850,536 S	6/2019	Stair et al.
D836,164 S	12/2018	Castro et al.			D850,537 S	6/2019	Urban et al.
D842,930 S	3/2019	Johnson et al.			D880,606 S *	4/2020	Glenn, II
D842,932 S	3/2019	Stair et al.			D888,834 S *	6/2020	Lee
D843,458 S	3/2019	Castro et al.			D890,850 S *	7/2020	Johnson
D843,459 S	3/2019	Castro et al.			D894,285 S *	8/2020	Glenn
D843,460 S	3/2019	Castro et al.			D896,314 S *	9/2020	Castro
D843,461 S	3/2019	Castro et al.			D898,128 S *	10/2020	Urban
D843,462 S	3/2019	Castro et al.			D904,522 S *	12/2020	Kim
D843,463 S	3/2019	Castro et al.			D905,172 S *	12/2020	Zedell, Jr.
D843,464 S	3/2019	Castro et al.			D906,433 S *	12/2020	DeMarco
D843,465 S	3/2019	Castro et al.			D907,123 S *	1/2021	DeMarco
D843,466 S	3/2019	Castro et al.			D907,125 S *	1/2021	DeMarco
D843,466 S	3/2019	Castro et al.			D907,714 S *	1/2021	DeMarco
D843,467 S	3/2019	Johnson et al.			D910,119 S *	2/2021	DeMarco
D843,468 S	3/2019	Johnson et al.			D911,451 S *	2/2021	Ortiz De Viveiros
D843,473 S *	3/2019	Zedell, Jr.	D21/369	D918,300 S *	5/2021	DeMarco
					D926,889 S *	8/2021	Bruzzese

* cited by examiner

FIG. 1

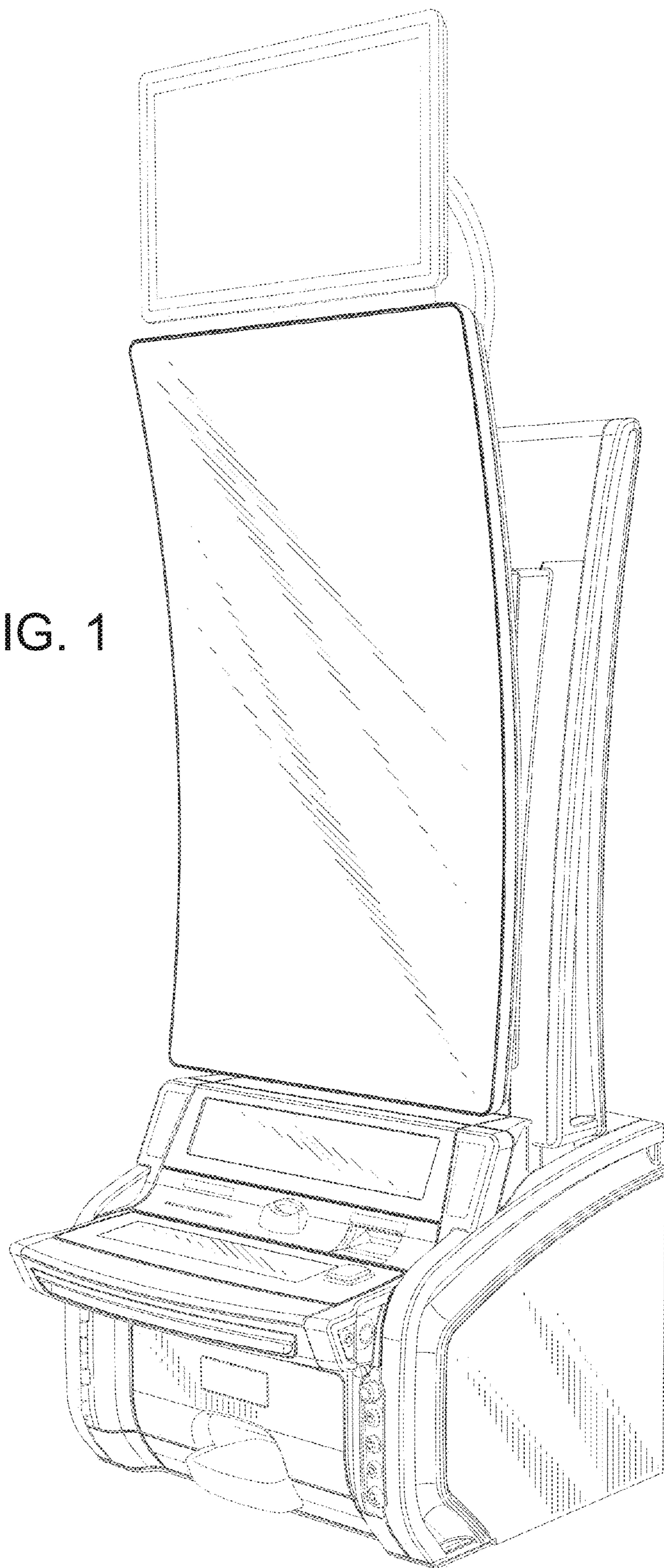


FIG. 2

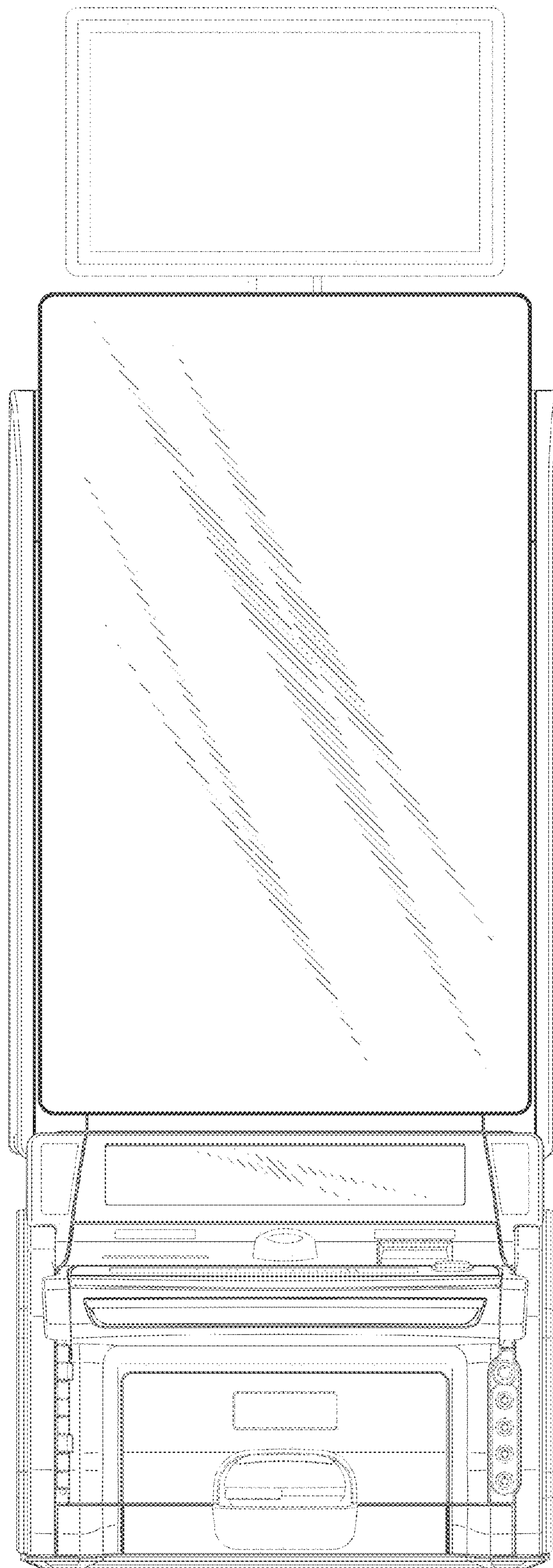


FIG. 3

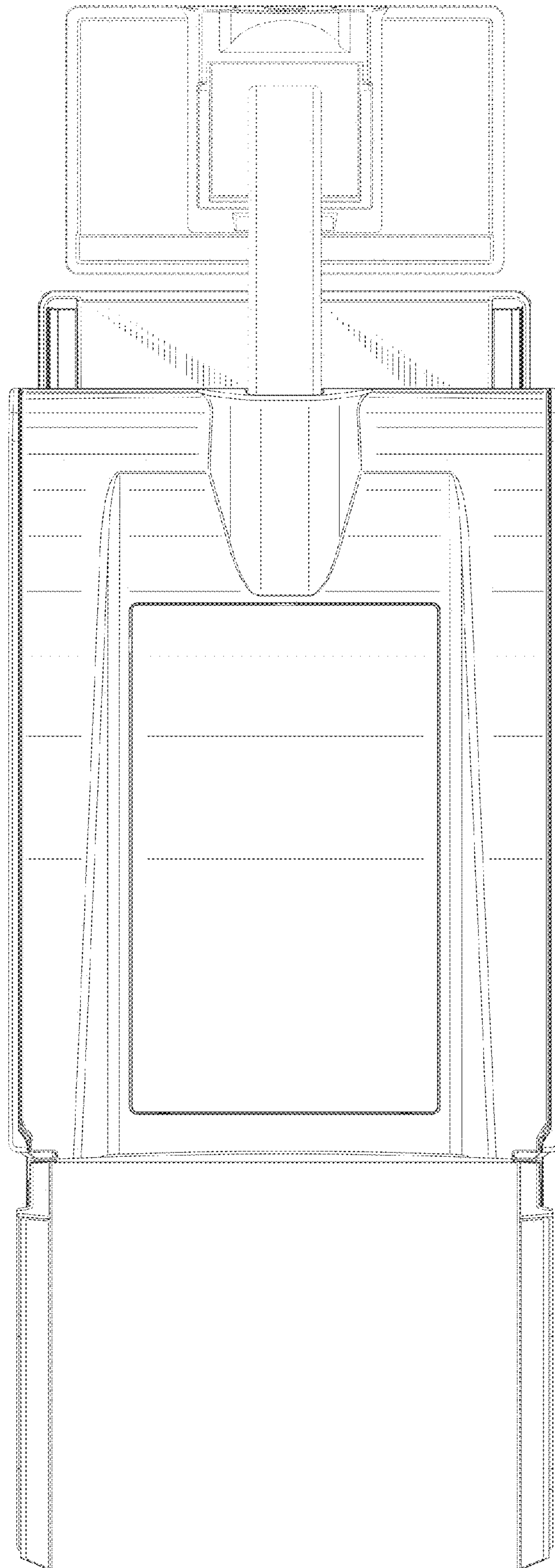


FIG. 4

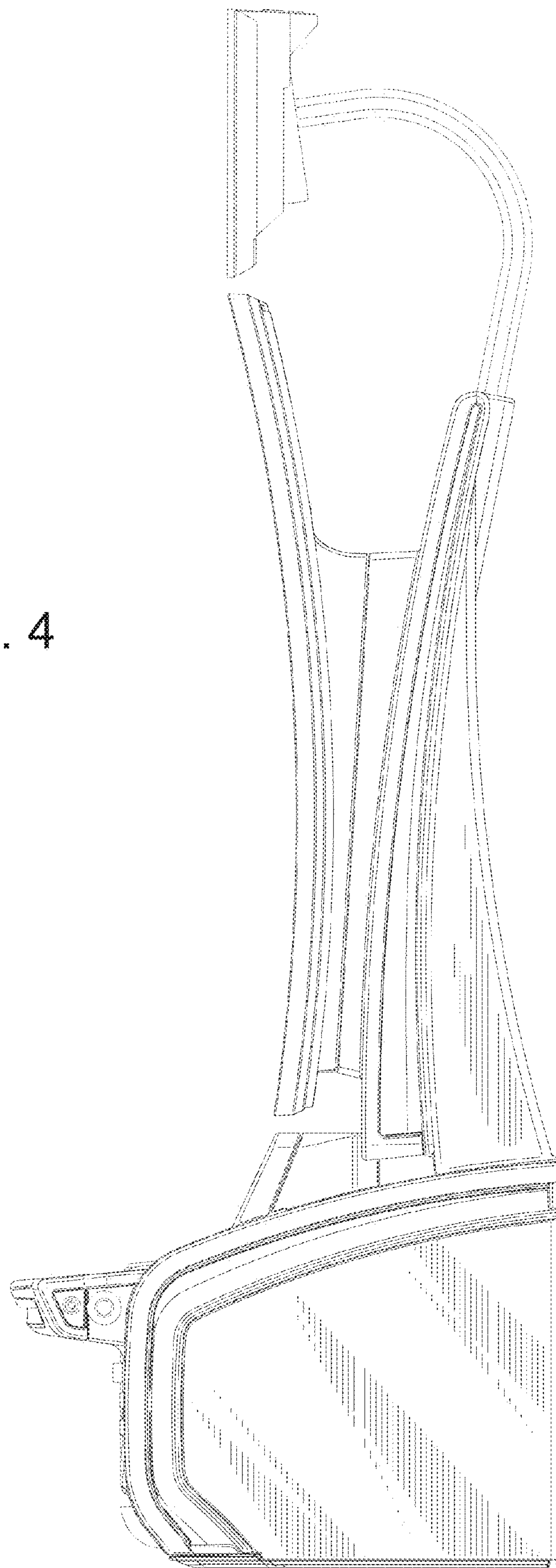


FIG. 5

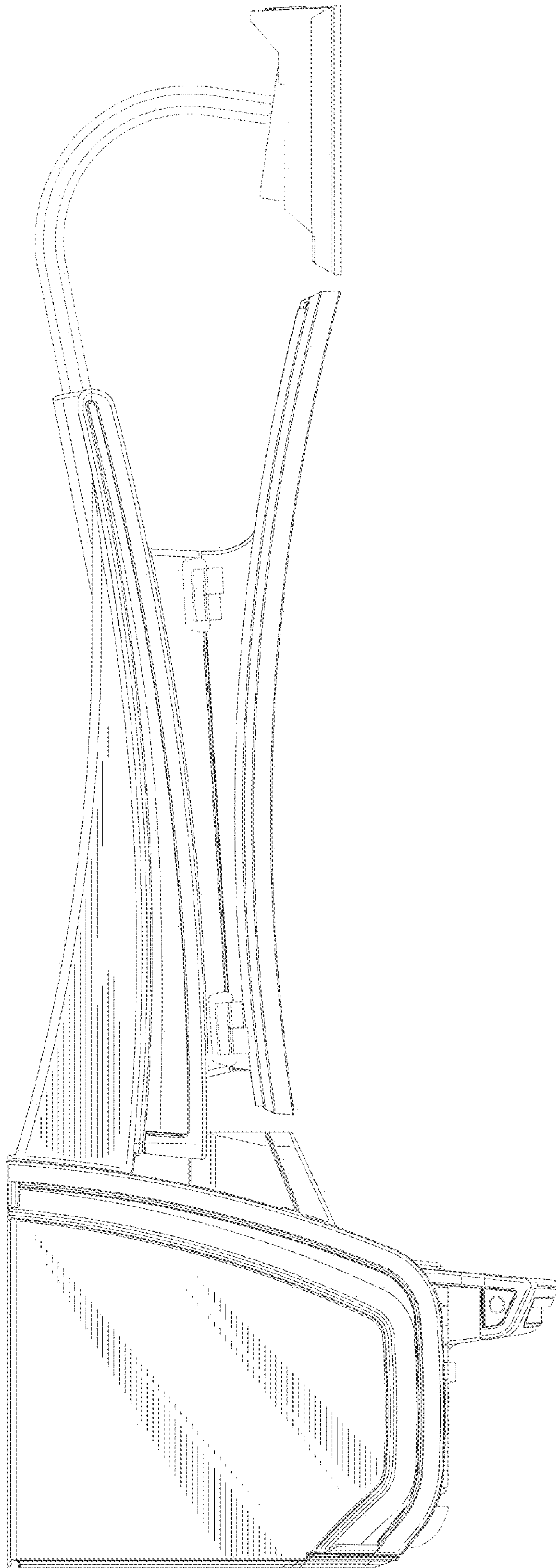


FIG. 6

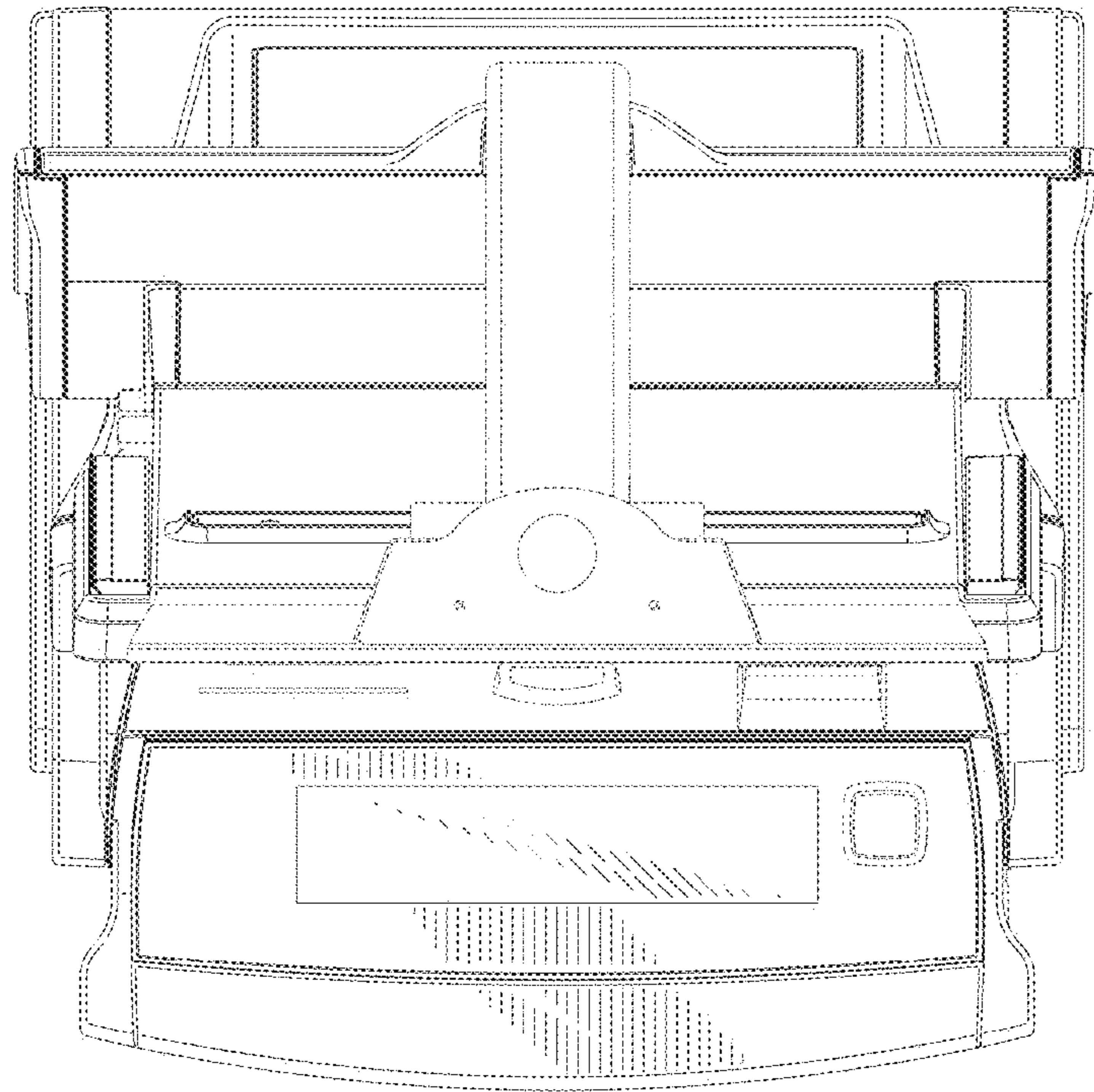


FIG. 7

