



US00D939024S

(12) **United States Design Patent**
Lin et al.

(10) **Patent No.:** **US D939,024 S**

(45) **Date of Patent:** **** Dec. 21, 2021**

(54) **ELECTRONIC GAMING CABIN**

(71) Applicant: **Acer Incorporated**, New Taipei (TW)

(72) Inventors: **Chun-Te Lin**, New Taipei (TW);
Tsun-Chih Yang, New Taipei (TW)

(73) Assignee: **Acer Incorporated**, New Taipei (TW)

(**) Term: **15 Years**

(21) Appl. No.: **29/720,471**

(22) Filed: **Jan. 14, 2020**

(30) **Foreign Application Priority Data**

Aug. 23, 2019 (TW) 108305071

(51) **LOC (13) Cl.** **21-01**

(52) **U.S. Cl.**

USPC **D21/326**; D21/325

(58) **Field of Classification Search**

USPC D14/125–129, 336, 371–375, 401, 447,
D14/451, 496; D21/324, 325, 326, 333,
D21/369, 419–435, 477, 548, 811, 833;
D19/59–64

CPC A47C 15/004; A63F 13/08; A63F 13/803;
A63F 13/245; A63F 13/1062; A63F
13/302; A63F 13/8017; G09B 9/04; G09B
9/00; G07F 17/3227

See application file for complete search history.

(56) **References Cited**

U.S. PATENT DOCUMENTS

5,275,565 A * 1/1994 Moncrief A63F 13/08
434/29

D453,945 S * 2/2002 Shan D21/326

D500,098 S * 12/2004 Doi D21/326

D531,221 S * 10/2006 Shiraiishi D19/60

D545,912 S * 7/2007 Nunokawa D21/326
D634,745 S * 3/2011 Park D14/373
D638,879 S * 5/2011 Suto D19/63
D755,745 S * 5/2016 Williams D14/126
D884,076 S * 5/2020 Quinn D21/326
D889,547 S * 7/2020 Jones D21/326
2003/0134676 A1 * 7/2003 Kang G09B 9/00
463/36
2004/0254020 A1 * 12/2004 Dragusin A47C 15/004
463/46
2006/0014586 A1 * 1/2006 Gatto G07F 17/3227
463/46

* cited by examiner

Primary Examiner — Leanne Was-Englehart

(74) *Attorney, Agent, or Firm* — JCIPRNET

(57) **CLAIM**

The ornamental design for an electronic gaming cabin, as shown and described.

DESCRIPTION

FIG. 1 is a top, front and right side perspective view of an electronic gaming cabin, showing our new design;

FIG. 2 is a top, rear and right side perspective view thereof;

FIG. 3 is a bottom, front and left side perspective view thereof;

FIG. 4 is a bottom, rear and left side perspective view thereof;

FIG. 5 is a front elevation view thereof;

FIG. 6 is a rear elevation view thereof;

FIG. 7 is a left side elevation view thereof;

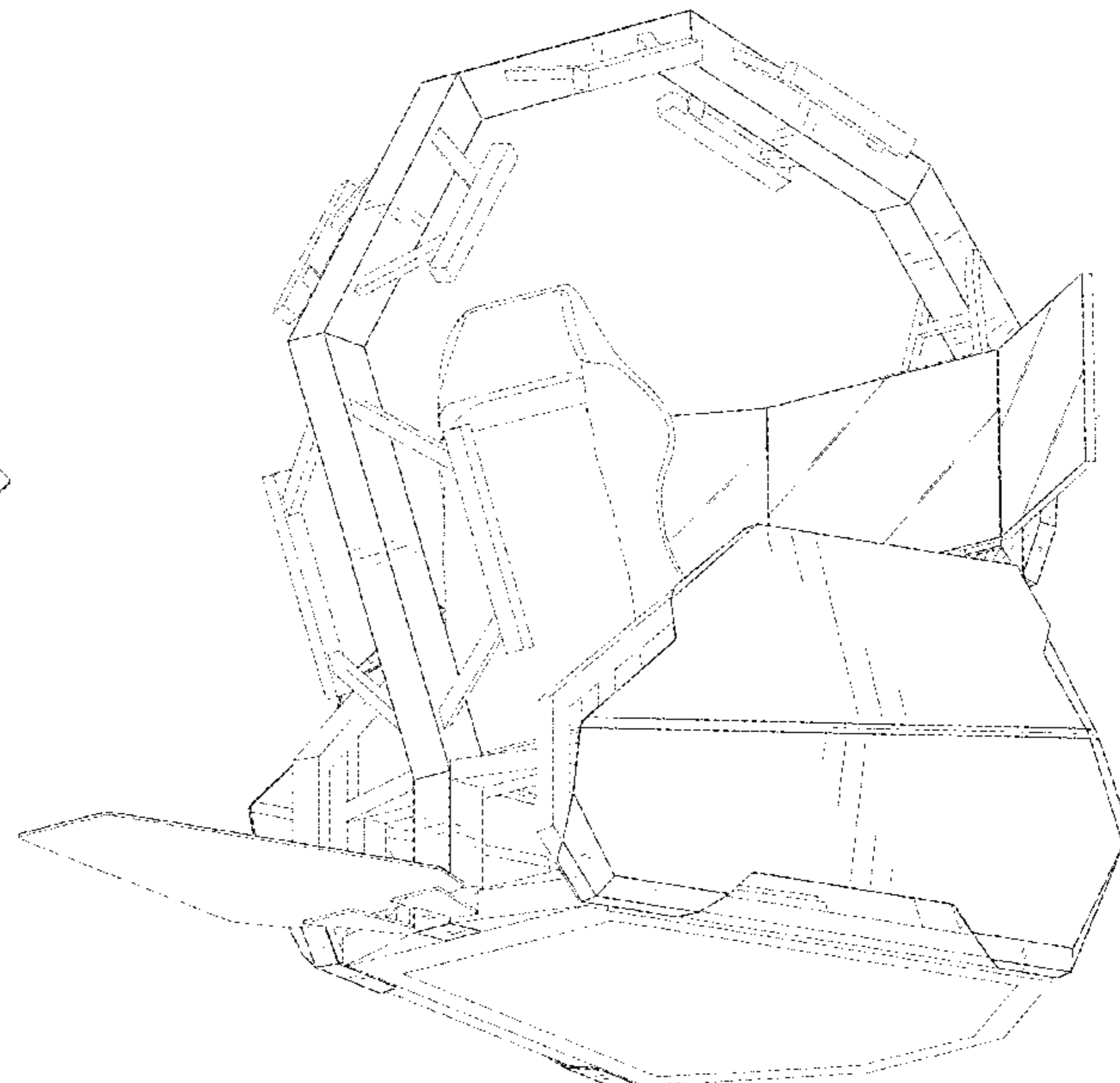
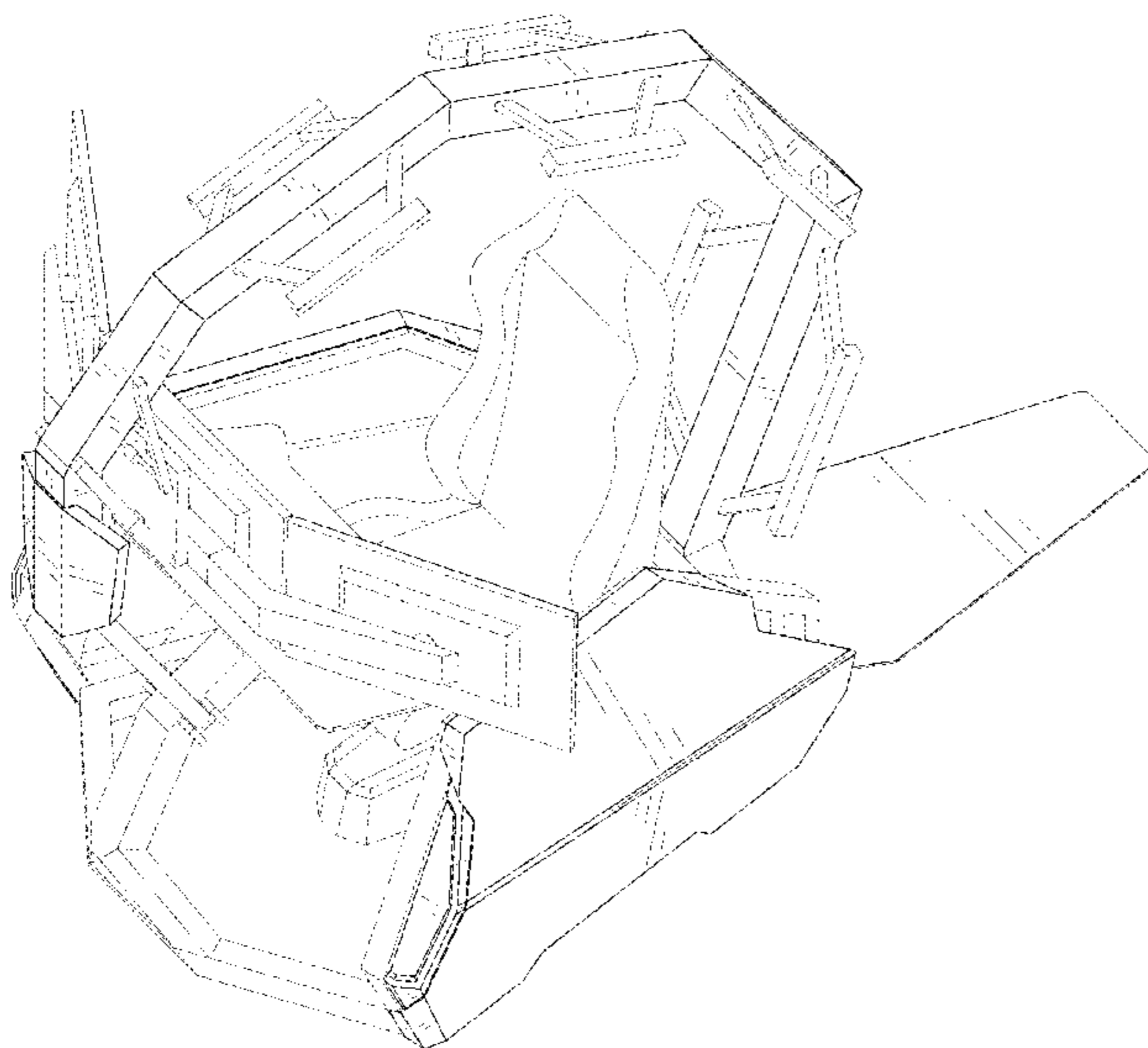
FIG. 8 is a right side elevation view thereof;

FIG. 9 is a top plan view thereof; and,

FIG. 10 is a bottom plan view thereof.

The dashed broken lines depict portions of the electronic gaming cabin in which the design is embodied that form no part of the claimed design.

1 Claim, 10 Drawing Sheets



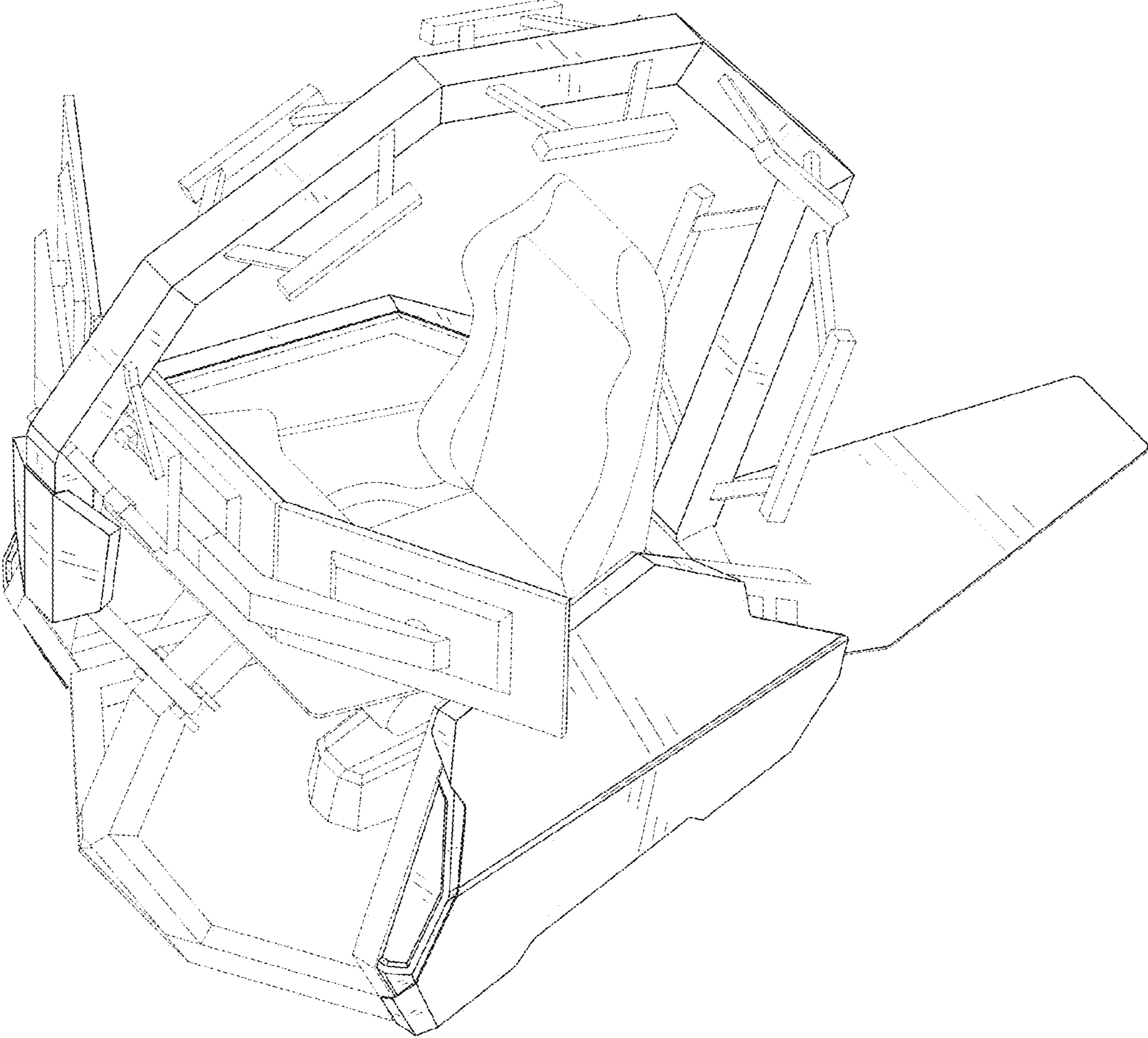


FIG. 1

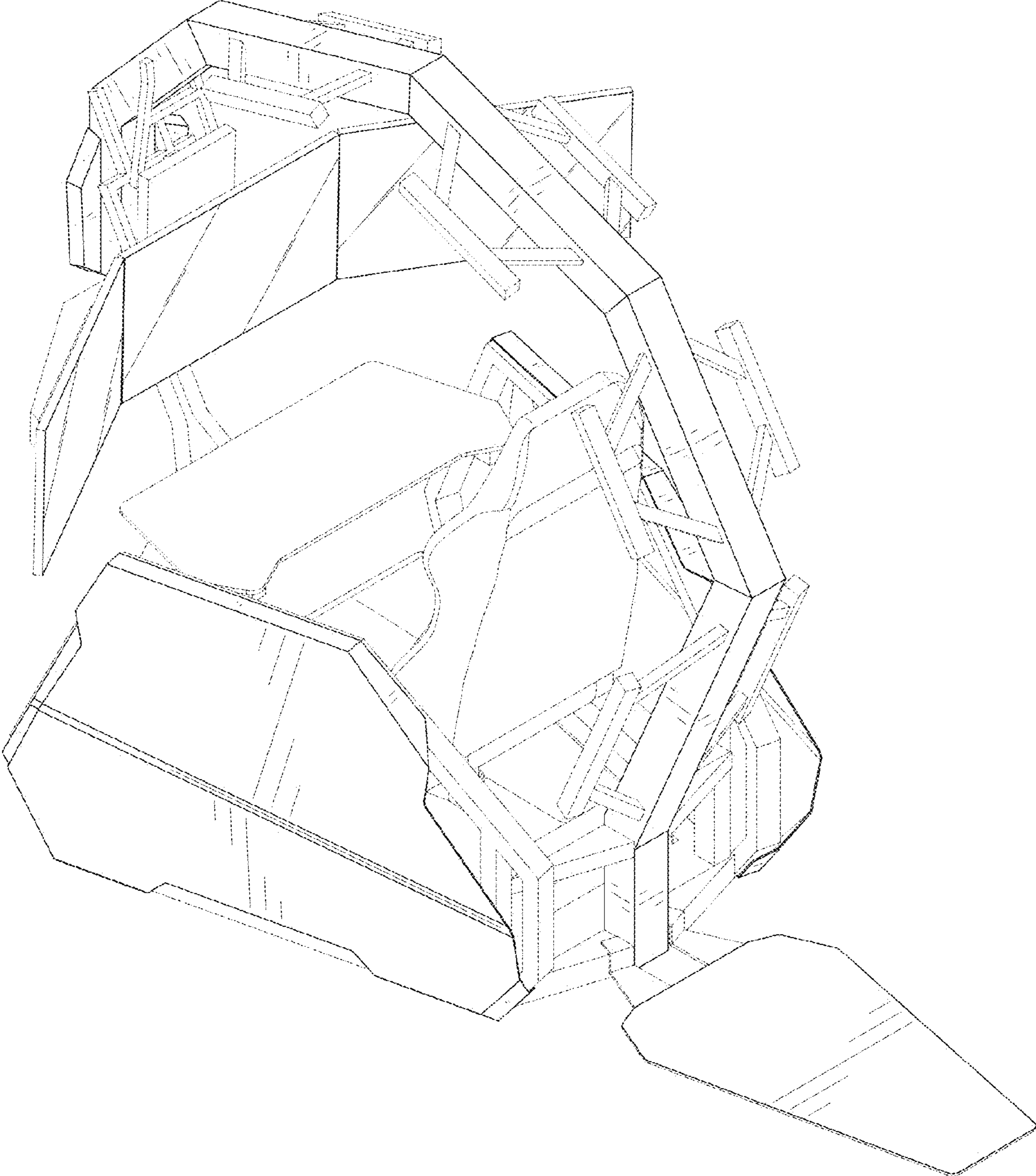


FIG. 2

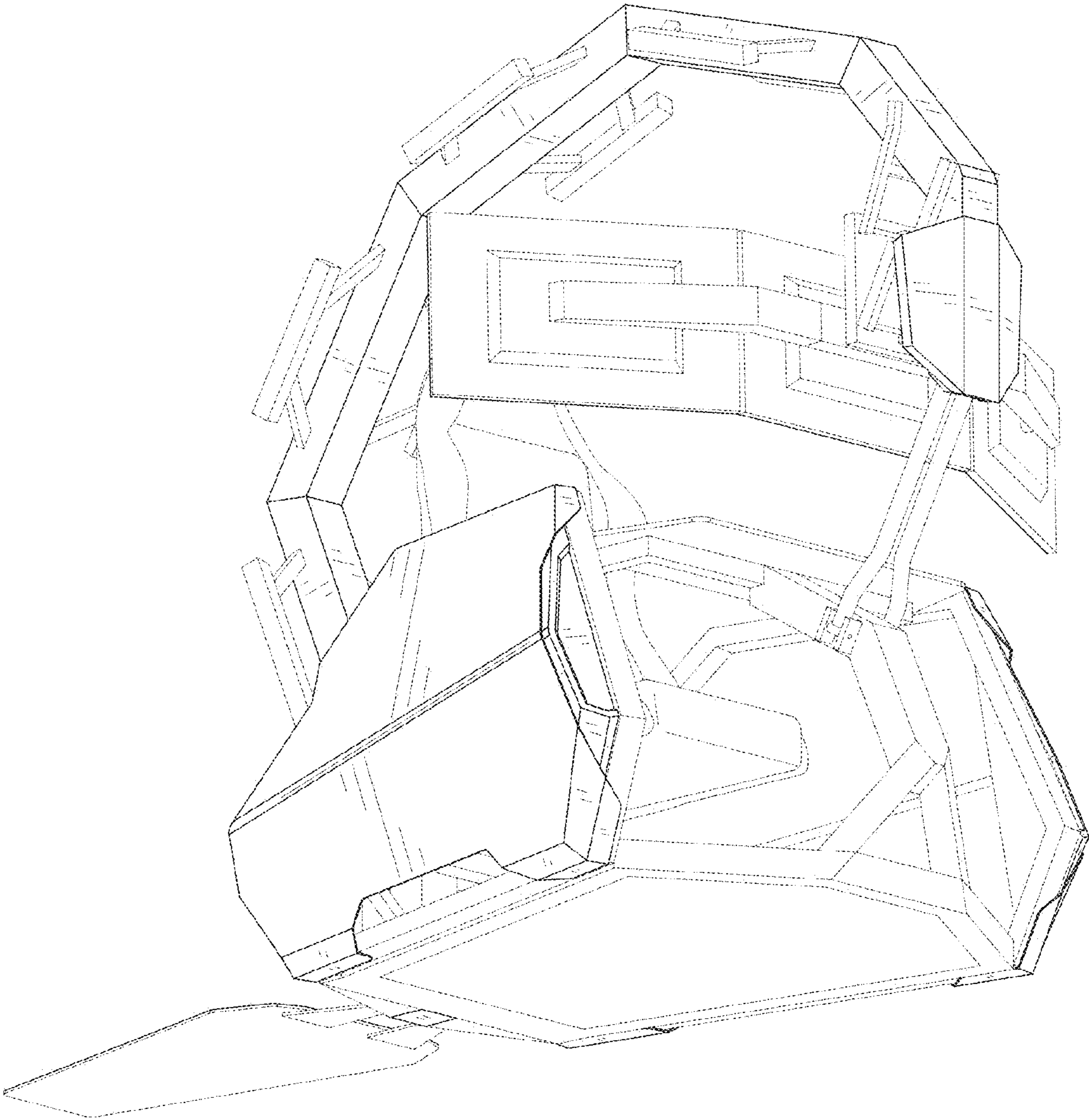


FIG. 3

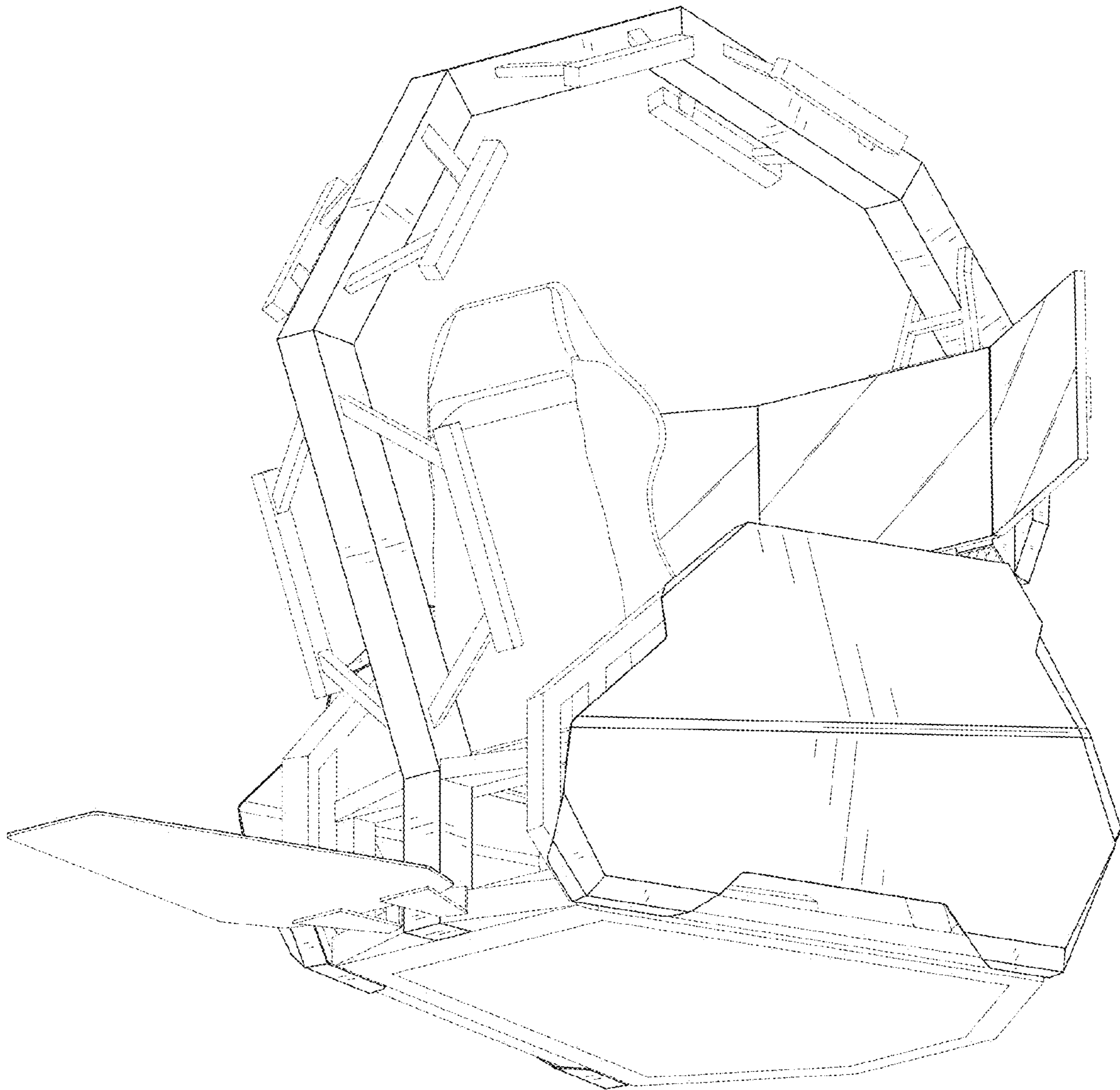


FIG. 4

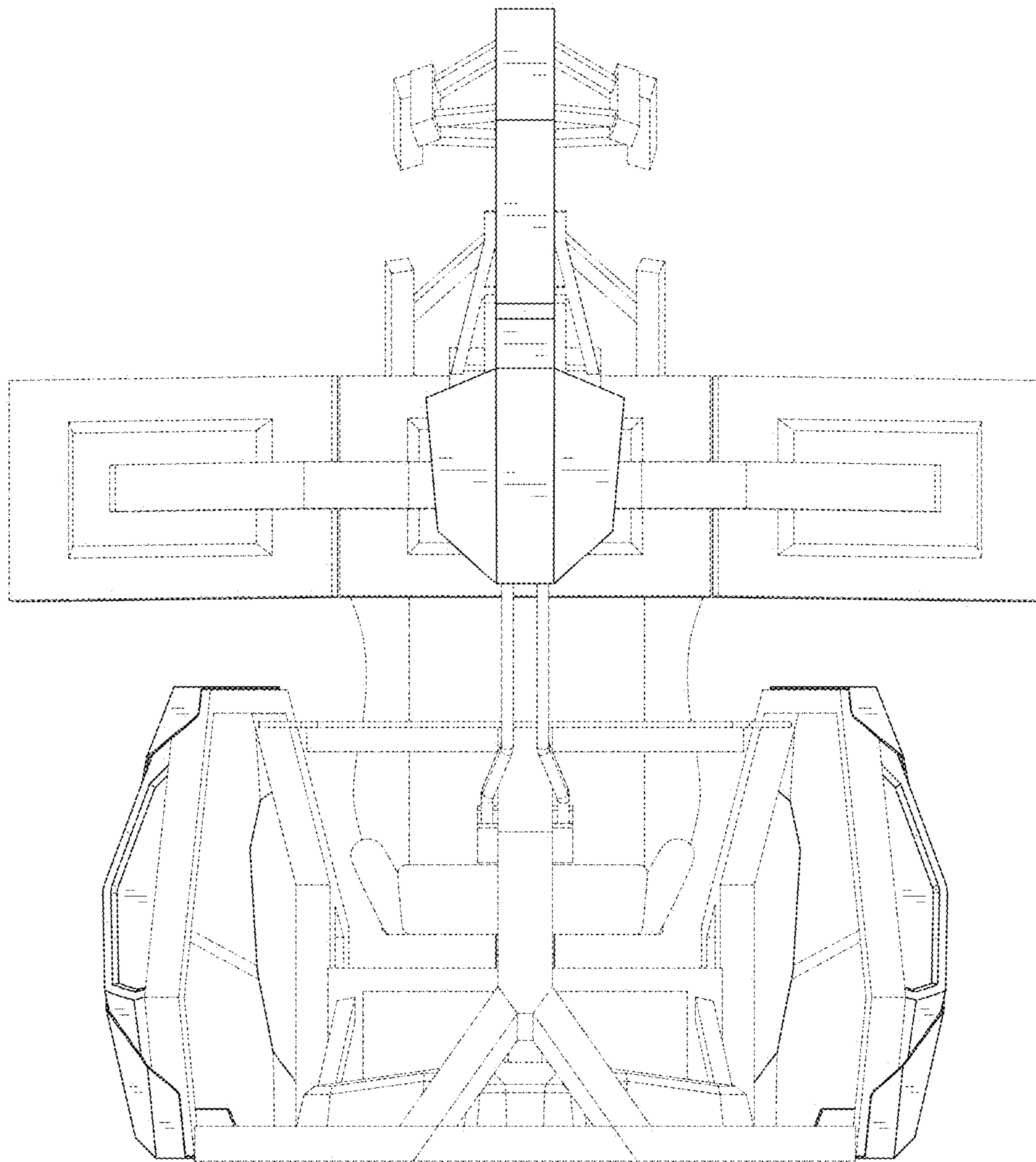


FIG. 5

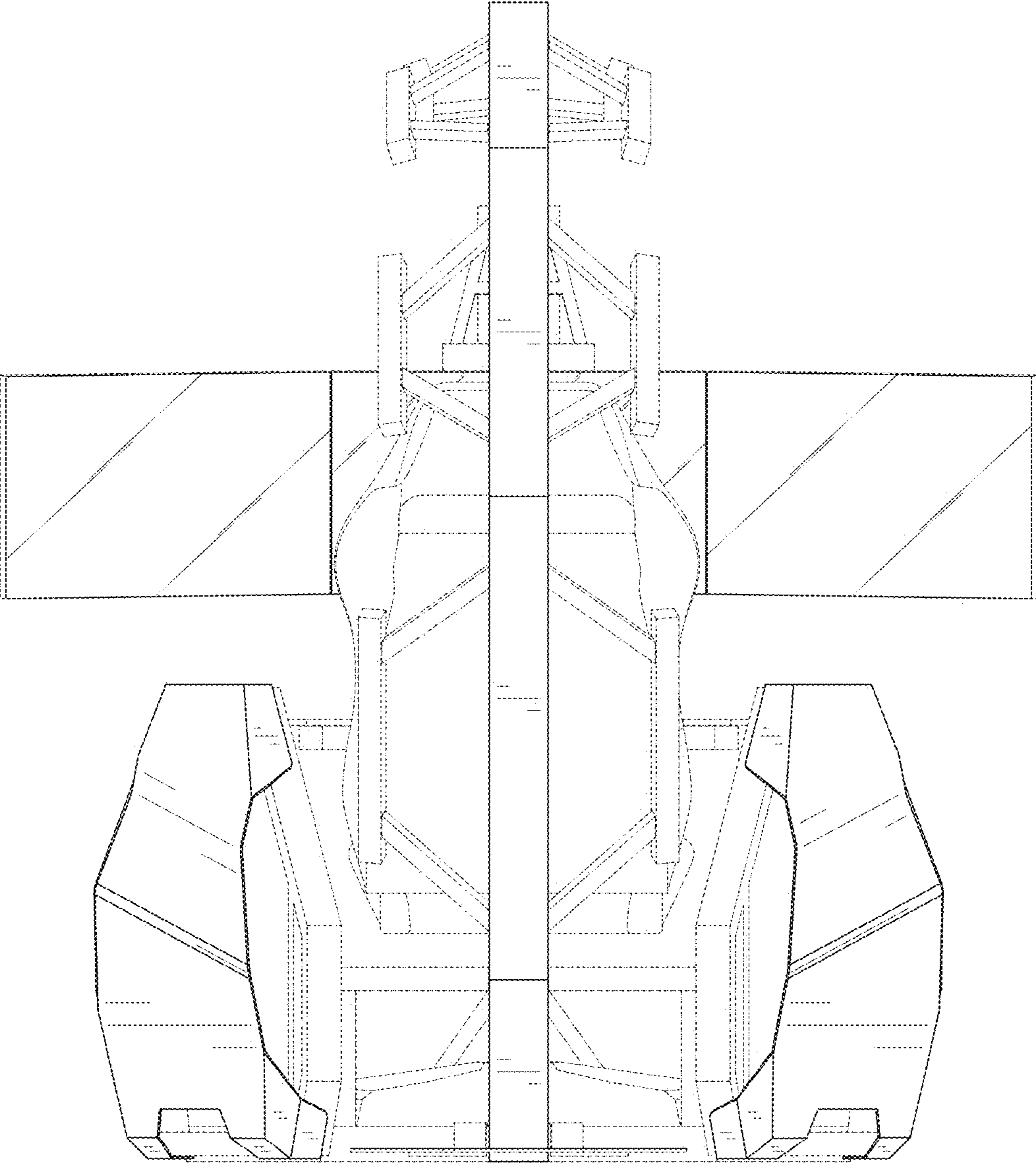


FIG. 6

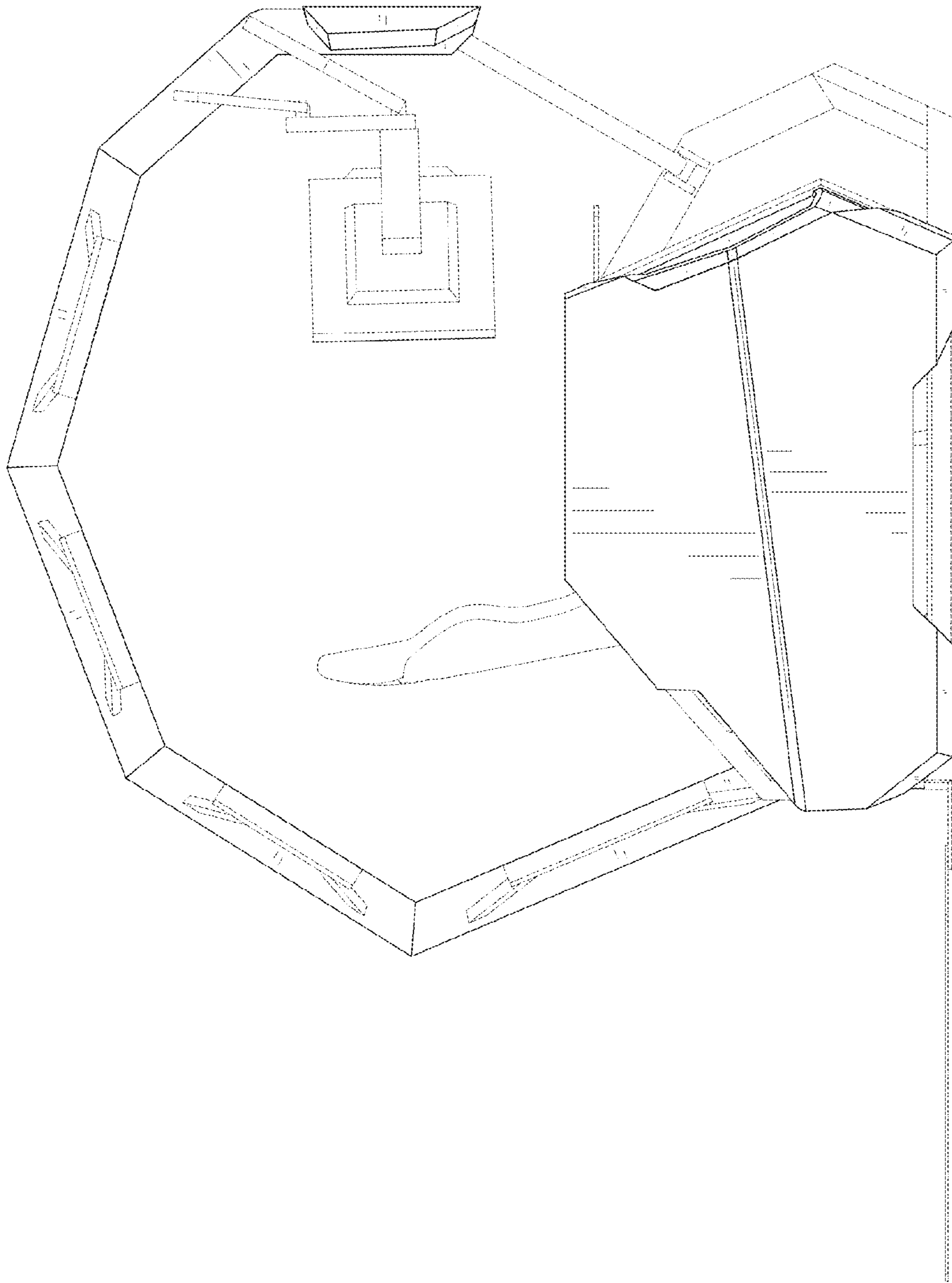


FIG. 7

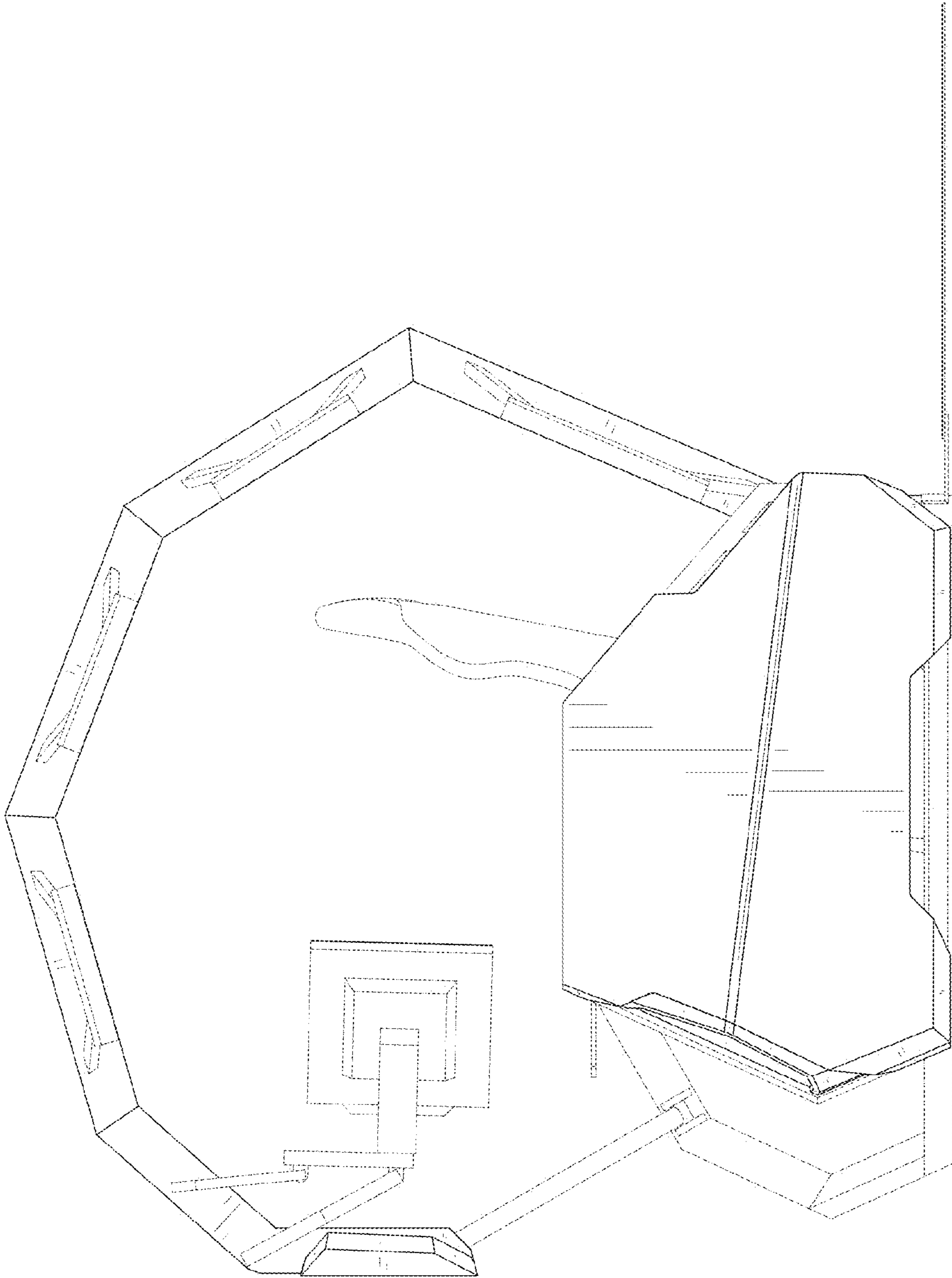


FIG. 8

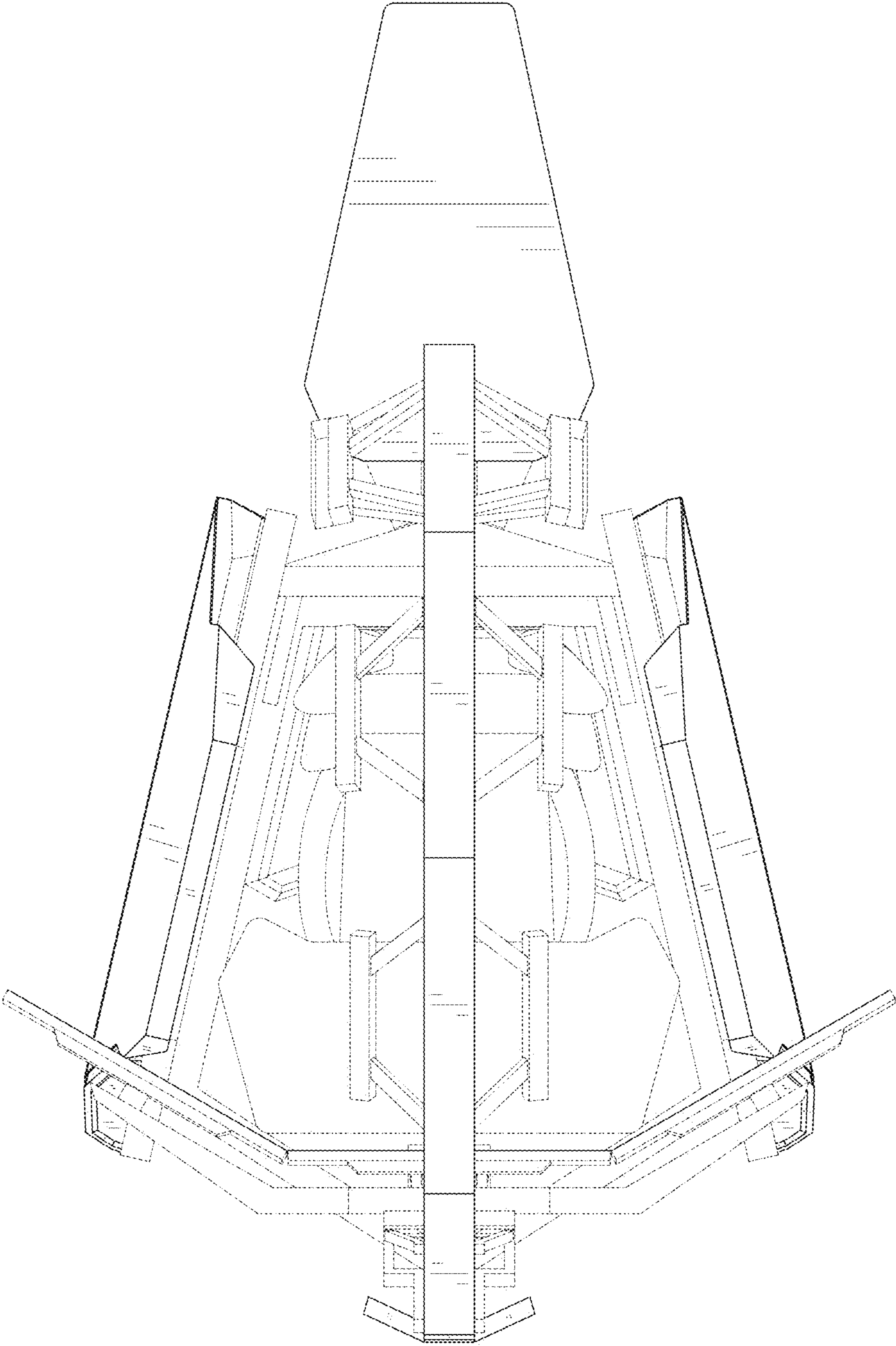


FIG. 9

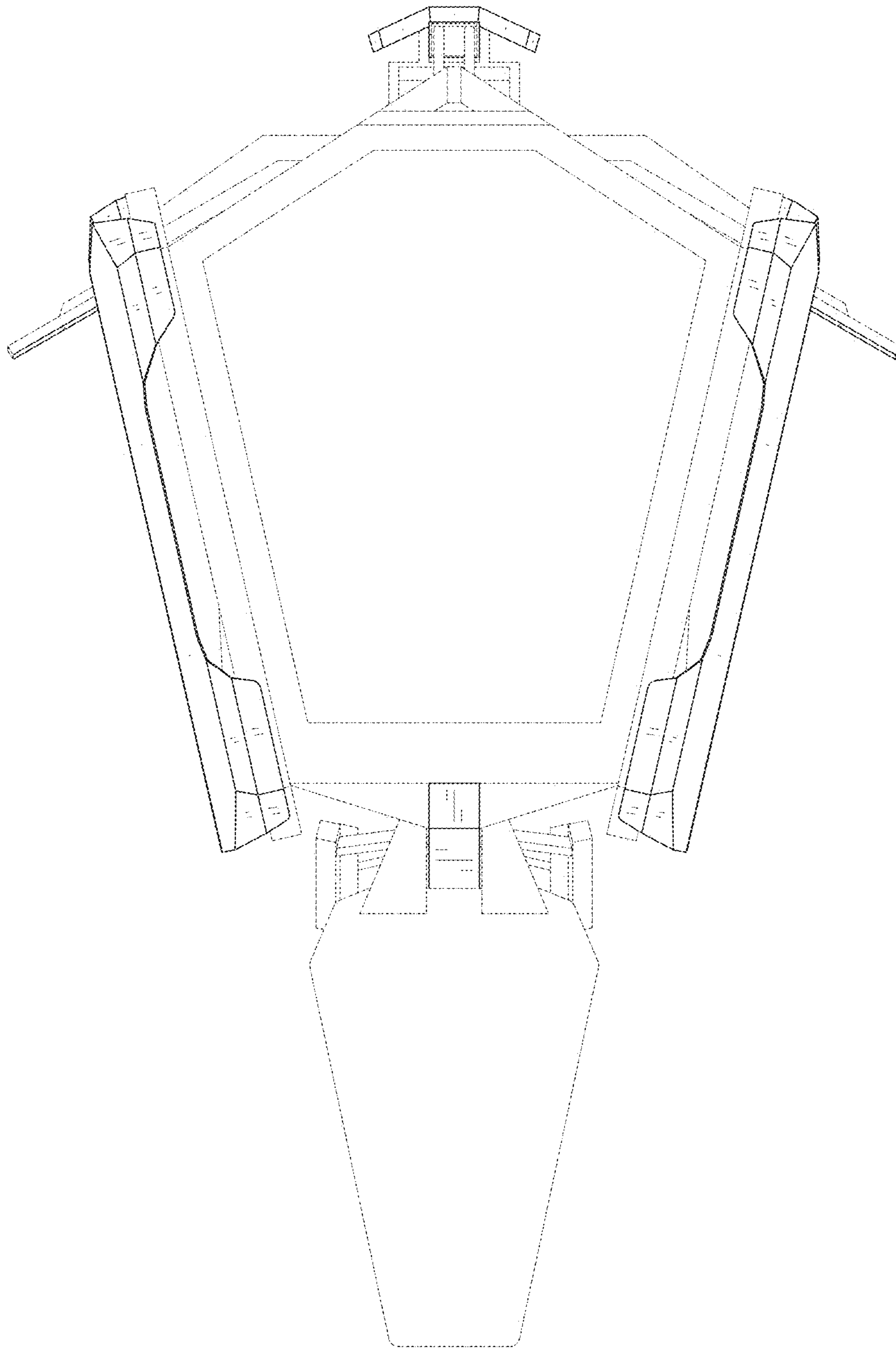


FIG. 10