



US00D939023S

(12) **United States Design Patent**  
**van Hooft**

(10) **Patent No.:** **US D939,023 S**

(45) **Date of Patent:** **\*\* Dec. 21, 2021**

(54) **DOCUMENT HOLDER**

(71) Applicant: **OAHWIP B.V.**, Vught (NL)

(72) Inventor: **Jan Thomas Lambertus van Hooft**,  
Vught (NL)

(73) Assignee: **OAHWIP B.V.**, Vught (NL)

(\*\*) Term: **15 Years**

(21) Appl. No.: **29/729,747**

(22) Filed: **Mar. 30, 2020**

(30) **Foreign Application Priority Data**

Mar. 17, 2020 (EM) ..... 7754809-0002

(51) **LOC (13) Cl.** ..... **19-02**

(52) **U.S. Cl.**  
USPC ..... **D19/91**

(58) **Field of Classification Search**  
USPC ..... D19/75-92, 99; D6/406.1, 406.2, 406.3,  
D6/406.4, 406.5, 700  
CPC ... A47B 23/042; A47B 23/043; A47B 23/044;  
A47B 23/06  
See application file for complete search history.

(56) **References Cited**

**U.S. PATENT DOCUMENTS**

- D112,944 S \* 1/1939 Holt ..... D6/675.4
- 2,676,777 A \* 4/1954 Moushon ..... G09F 1/06  
248/463
- D209,882 S \* 1/1968 Andersen ..... D19/85
- 4,073,460 A \* 2/1978 Dale ..... B43M 99/00  
248/174
- D253,625 S \* 12/1979 Davis ..... D14/224
- D324,614 S \* 3/1992 Abreu ..... D10/92
- D335,227 S \* 5/1993 Lapsker ..... D14/142
- D336,898 S \* 6/1993 Cherubini ..... D14/461
- D338,495 S \* 8/1993 Carella ..... D19/75

- D338,568 S \* 8/1993 Juster ..... D6/406.4
- 5,244,296 A \* 9/1993 Jensen ..... A47B 21/0371  
248/118.1
- D347,360 S \* 5/1994 Wheeler ..... D19/113

(Continued)

**FOREIGN PATENT DOCUMENTS**

- BG 2098683 \* 6/2001
- BX 3290501 8/2000

(Continued)

*Primary Examiner* — Elizabeth A. Albert

(74) *Attorney, Agent, or Firm* — Adsero IP

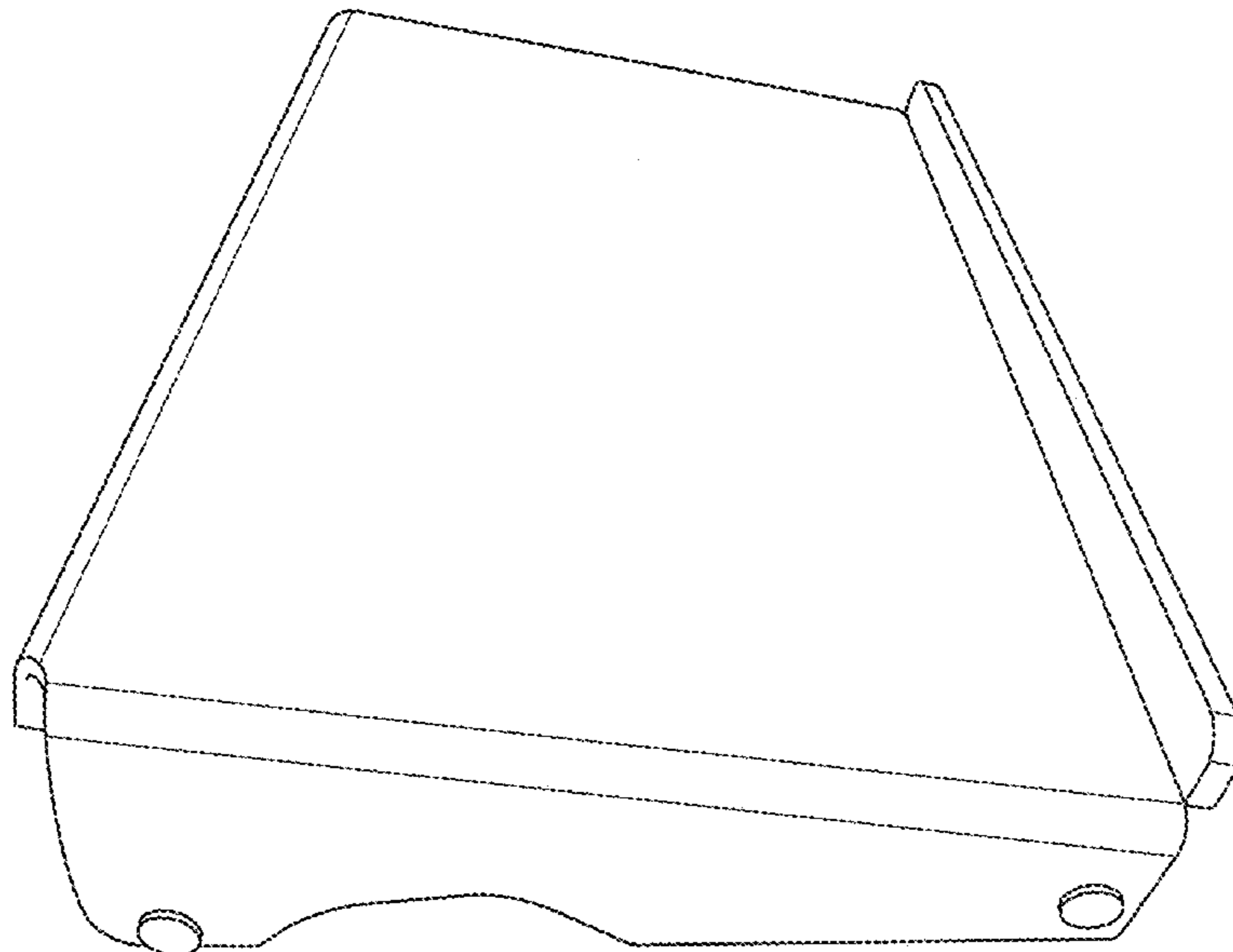
(57) **CLAIM**

The ornamental design for document holder, as shown and described.

**DESCRIPTION**

FIG. 1 is a left, top perspective view of a document holder showing my new design;  
 FIG. 2 is a front, top, perspective view thereof;  
 FIG. 3 is a left, top perspective view thereof from a lower elevation perspective than FIG. 1, the right top perspective view being a mirror image thereof;  
 FIG. 4 is a rear, top perspective view thereof;  
 FIG. 5 is a right, top perspective view thereof depicting a document holder elevated relative to an undercarriage as illustrated in FIG. 1;  
 FIG. 6 is a rear elevation view thereof depicting a document holder elevated relative to an undercarriage as illustrated in FIG. 1;  
 FIG. 7 is a left, top, rear perspective view thereof depicting a document holder elevated relative to an undercarriage as illustrated in FIG. 1;  
 FIG. 8 right, top perspective view thereof;  
 FIG. 9 is a top plan view thereof; and,  
 FIG. 10 is a rear perspective view thereof depicting a document holder elevated relative to an undercarriage as illustrated in FIG. 1.

**1 Claim, 10 Drawing Sheets**



(56)

References Cited

U.S. PATENT DOCUMENTS

D358,278 S \* 5/1995 Goodwin ..... D6/406.4  
 D365,461 S \* 12/1995 Falter ..... D19/88  
 5,678,800 A \* 10/1997 Markussen ..... G06F 3/0395  
 248/346.01  
 D398,914 S \* 9/1998 Pulver ..... D14/447  
 D455,755 S \* 4/2002 Levine ..... D14/447  
 6,913,238 B2 \* 7/2005 Bakker ..... A47B 21/0314  
 248/460  
 D533,558 S 12/2006 Elkhuisen  
 7,185,869 B2 \* 3/2007 Smith ..... A47B 23/044  
 248/456  
 D640,112 S \* 6/2011 Smith ..... D8/71  
 D663,777 S \* 7/2012 Lira-Nunez ..... D19/85  
 D666,174 S \* 8/2012 Du ..... D14/217  
 D690,308 S \* 9/2013 McCoy ..... D14/458  
 D714,807 S \* 10/2014 Pulver ..... D14/447  
 D769,655 S \* 10/2016 Horner, Jr. .... D6/700

D776,452 S \* 1/2017 Glaser ..... D6/406.3  
 D781,841 S \* 3/2017 Salathe ..... D14/253  
 9,642,454 B2 \* 5/2017 Cannon ..... A47B 23/042  
 9,677,704 B1 \* 6/2017 Thelen ..... F16M 11/22  
 D839,346 S \* 1/2019 Fletcher-Price ..... D19/91

FOREIGN PATENT DOCUMENTS

BX	3290502	8/2000
BX	3290503	8/2000
BX	3290504	8/2000
BX	3290505	8/2000
BX	3305200	10/2000
BX	3449400	1/2002
EM	150230-0001	3/2004
GB	3009747	12/2002
WO	WO DM055339	2/2001
WO	WO DM061339	5/2002
WO	WO DM063385	12/2002

\* cited by examiner

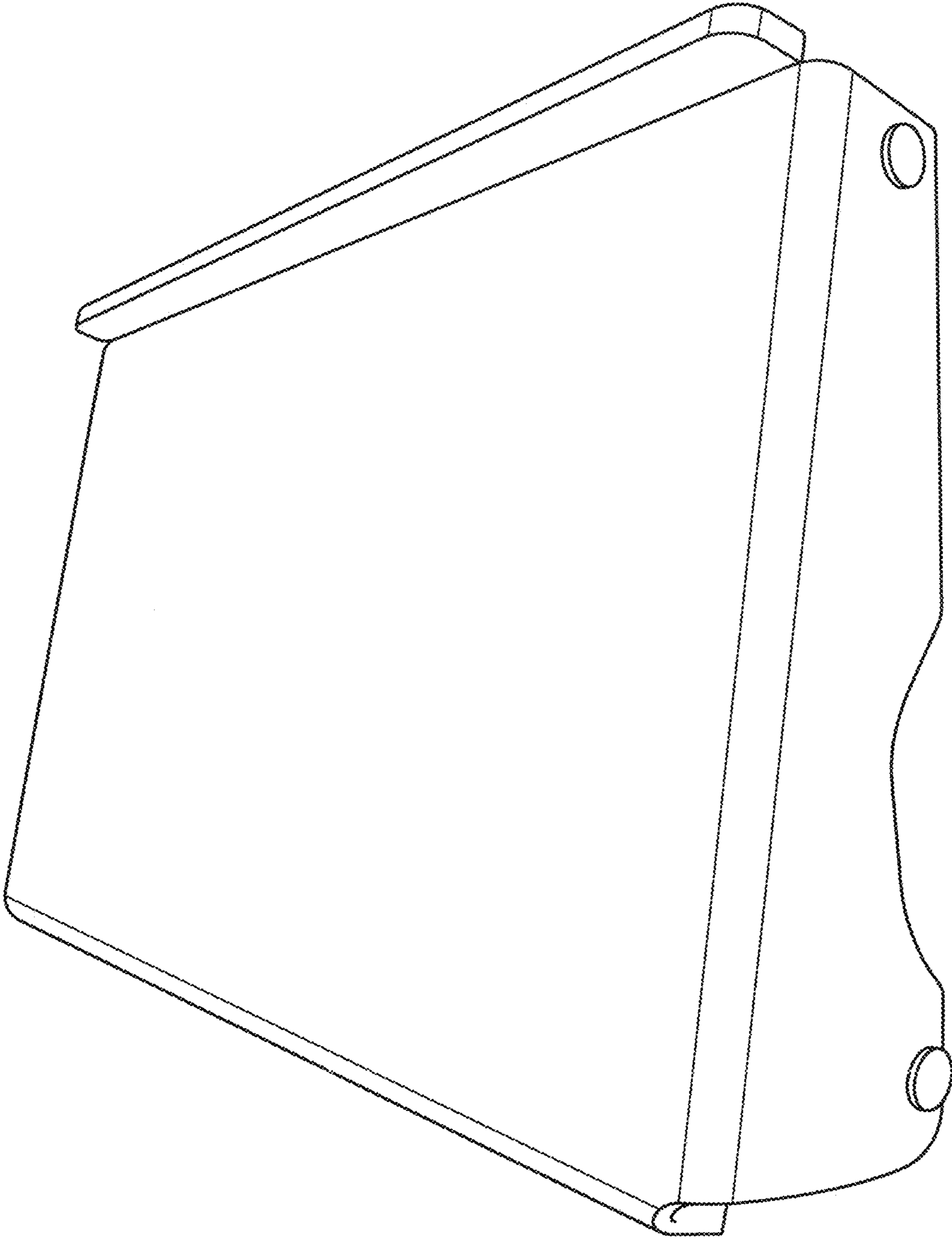


Fig. 1

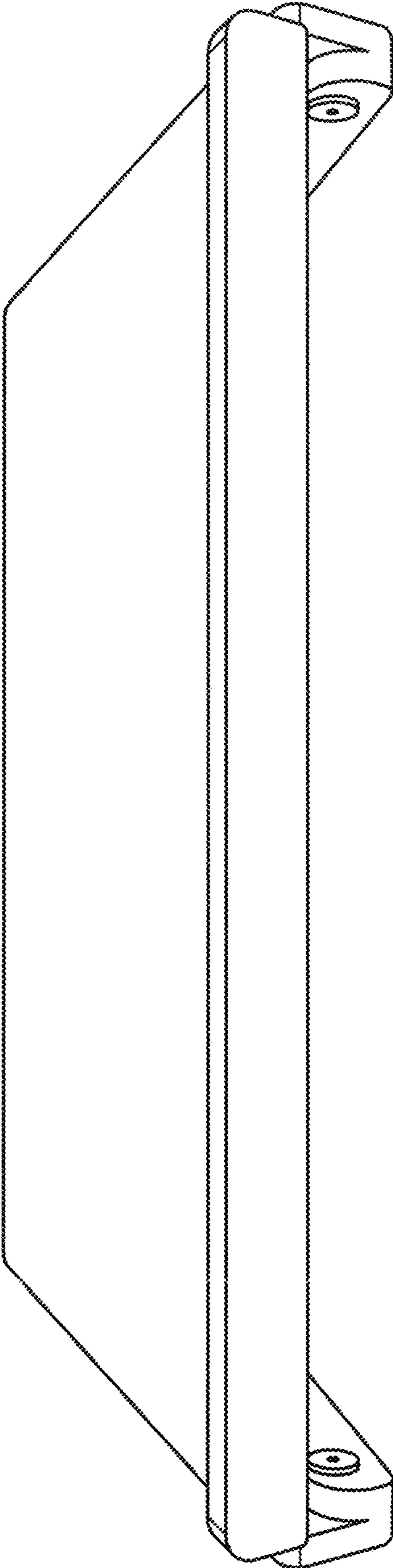


Fig. 2

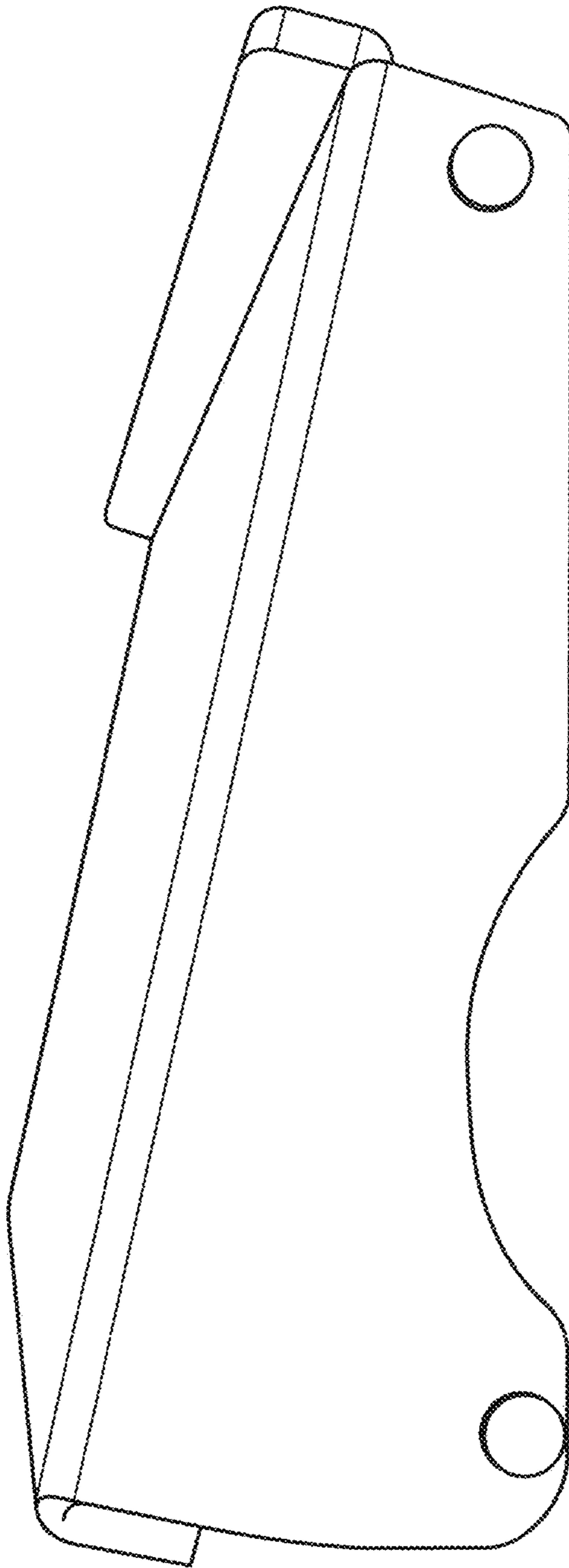


Fig. 3

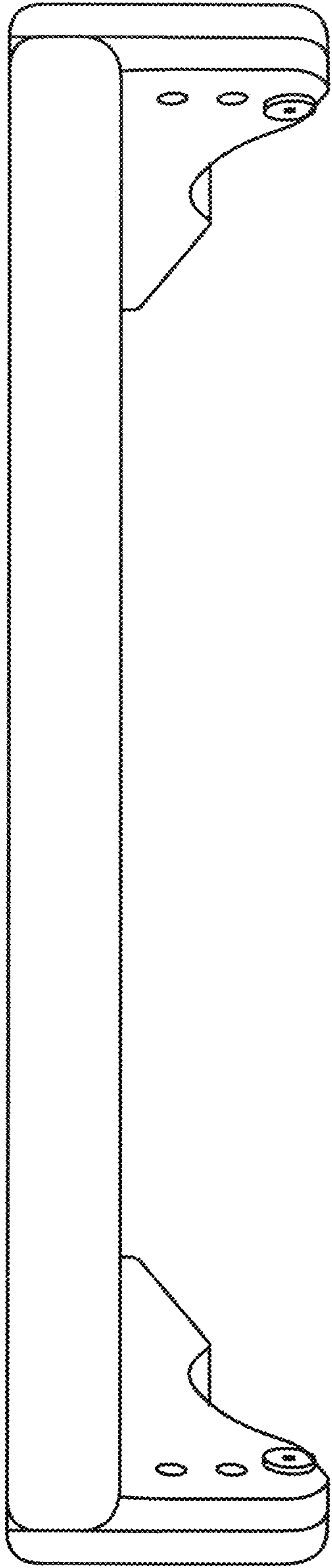


Fig. 4



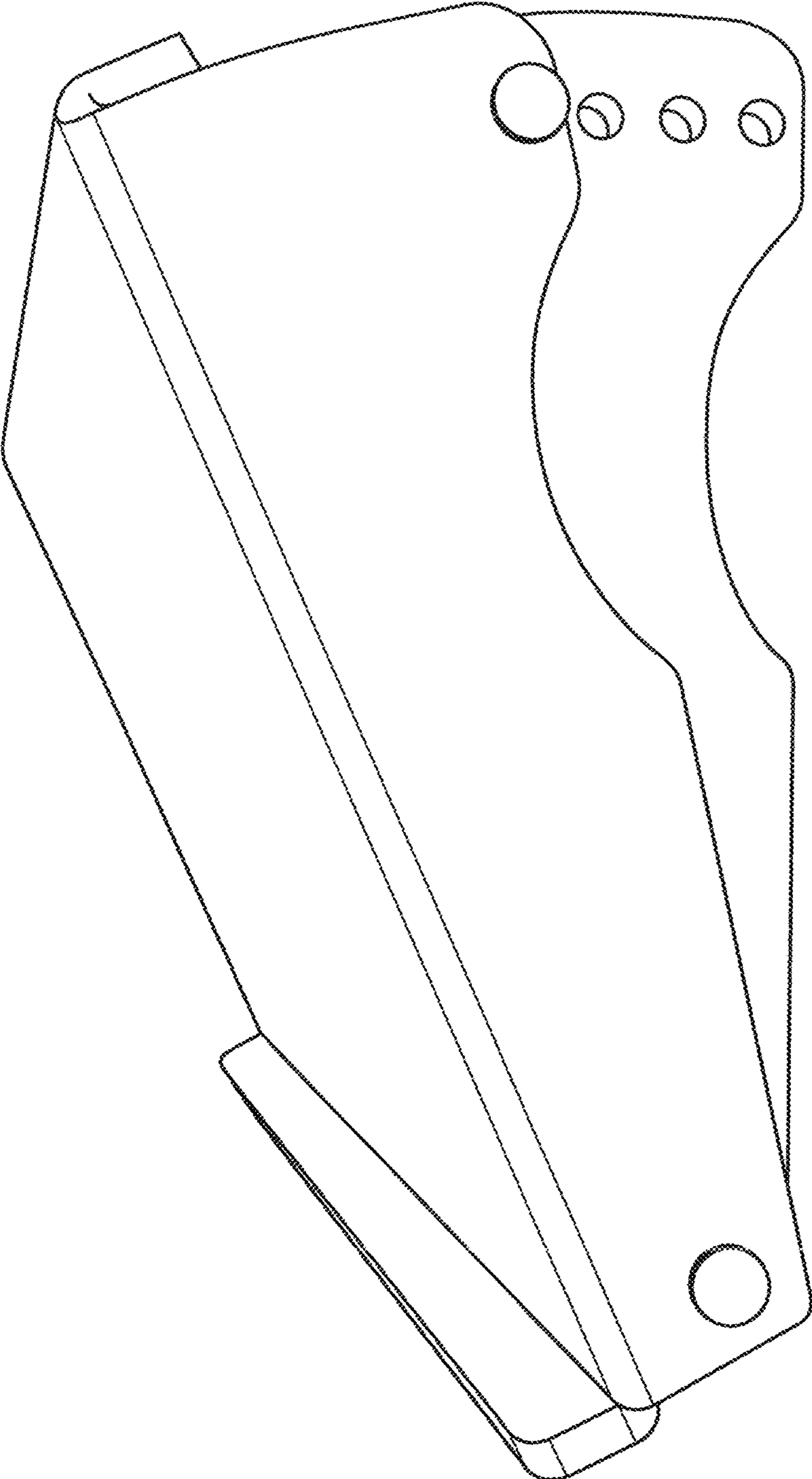


Fig. 5

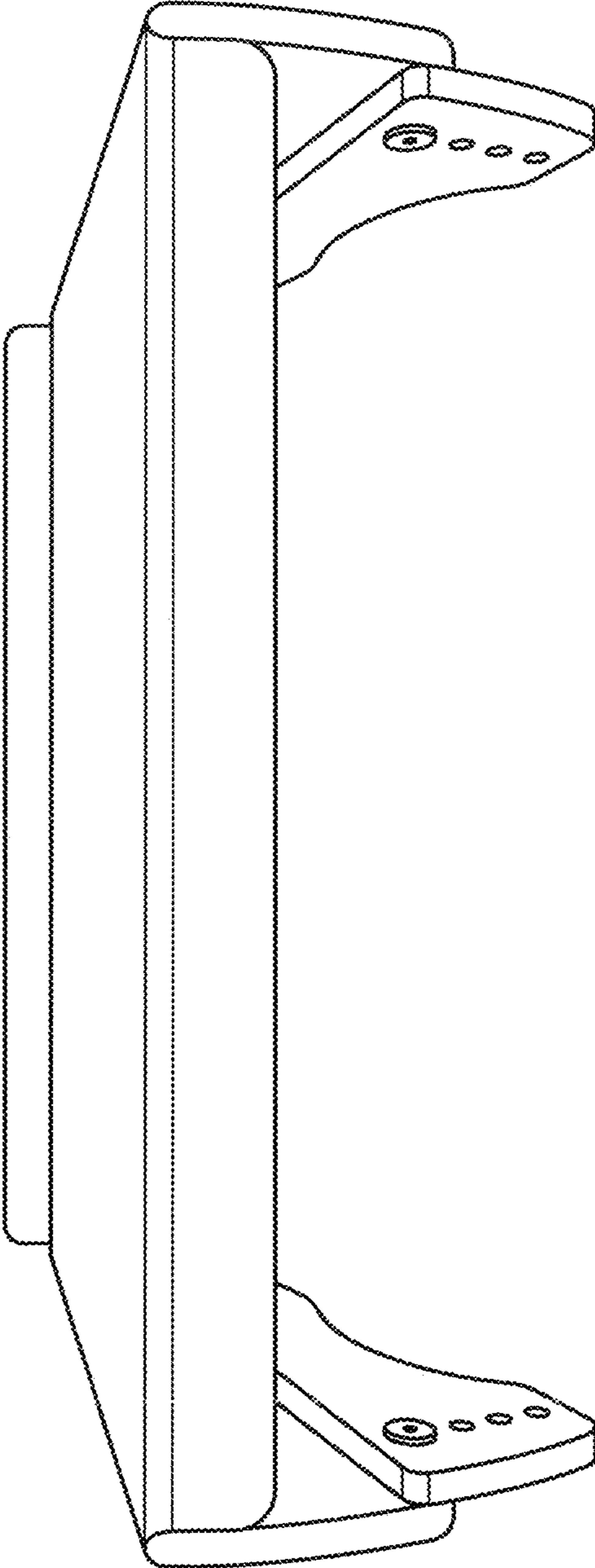


Fig. 6



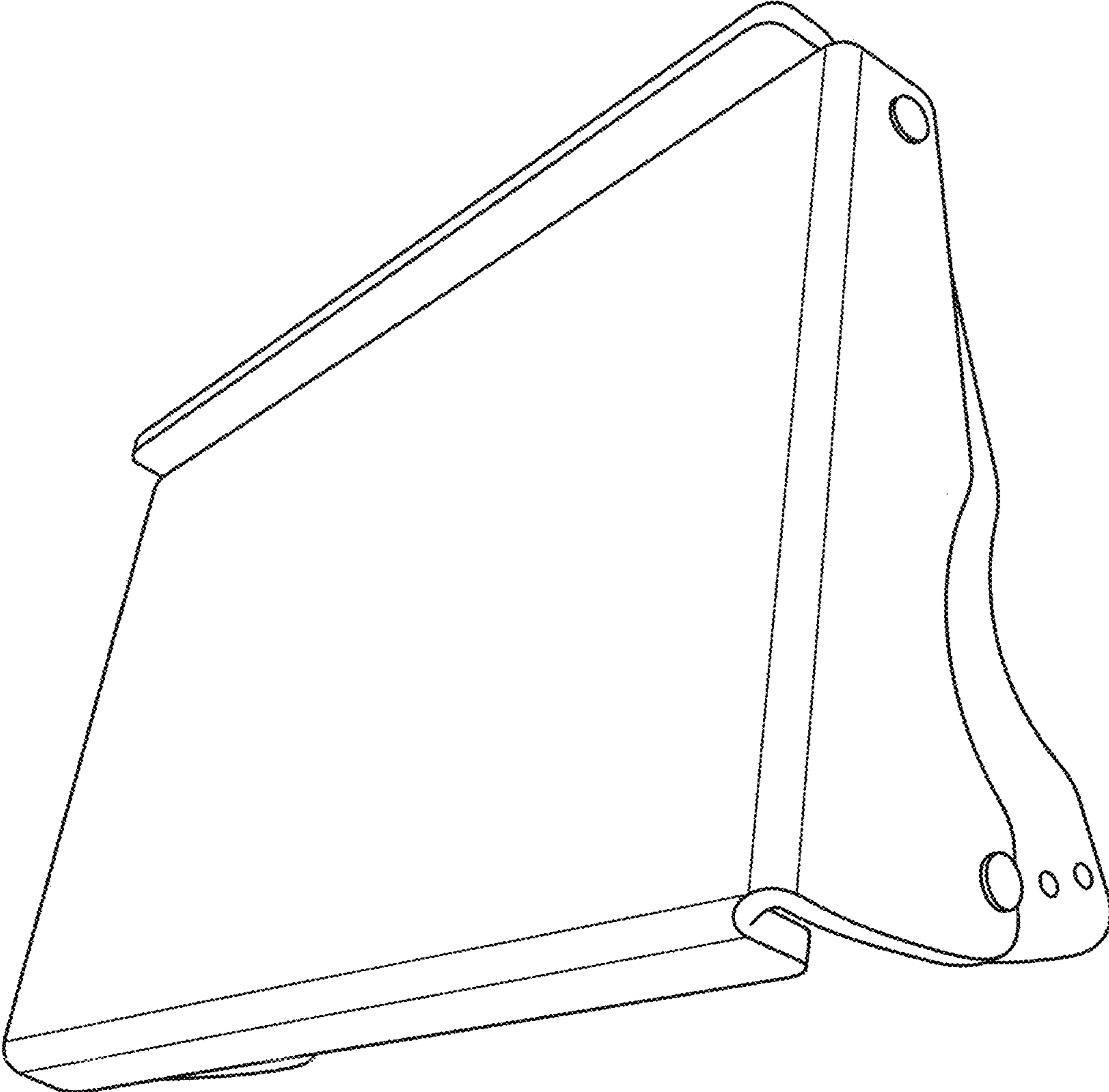


Fig. 7

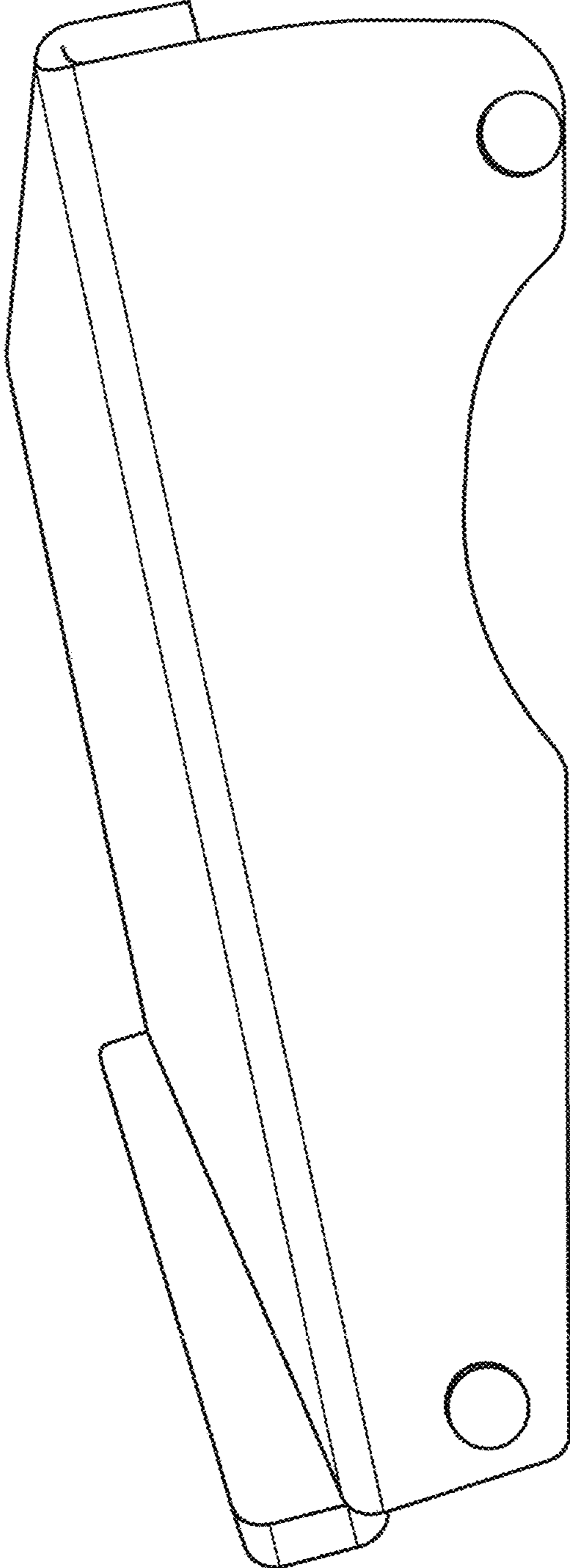


Fig. 8

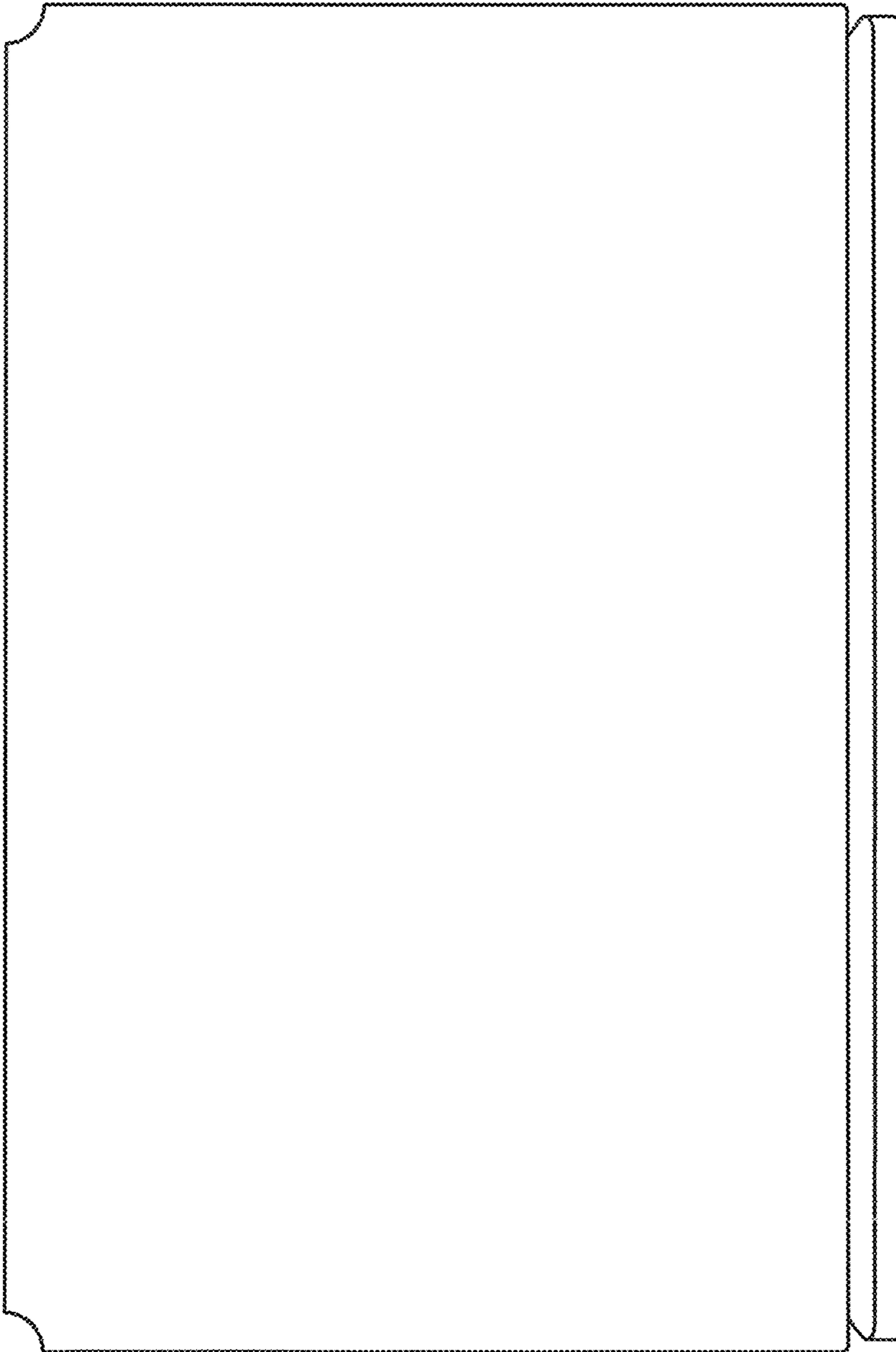


Fig. 9

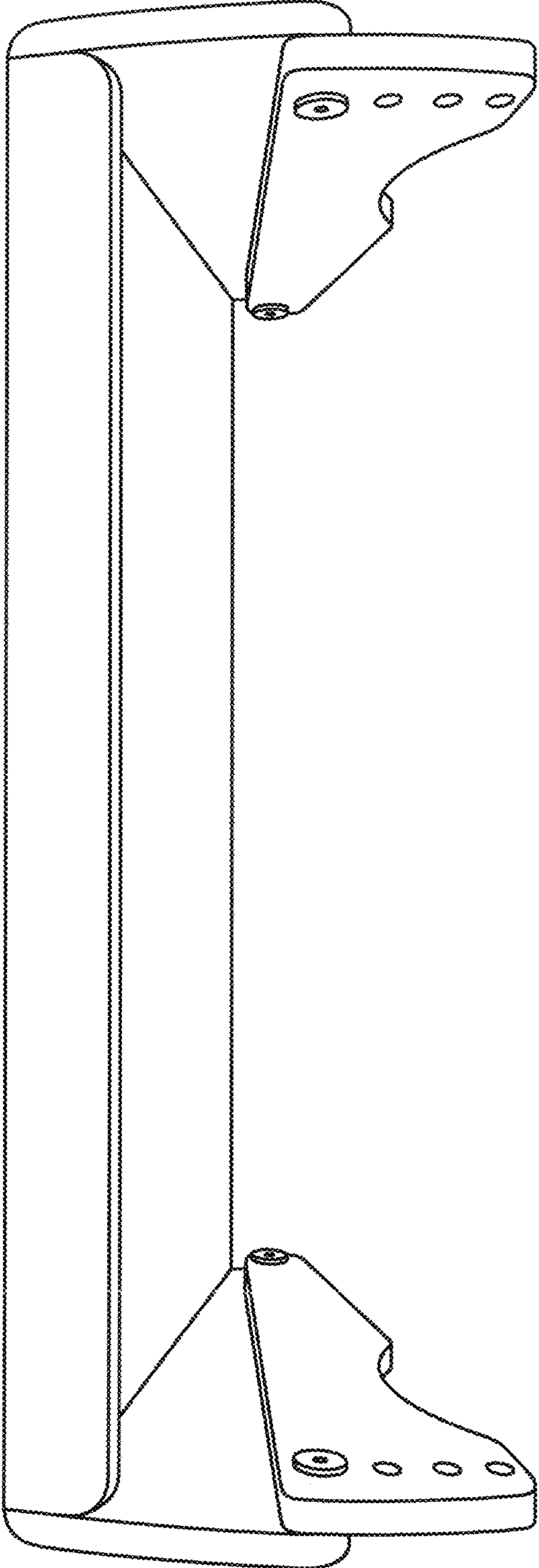


Fig. 10