



US00D939017S

(12) **United States Design Patent**
Liang

(10) **Patent No.:** **US D939,017 S**

(45) **Date of Patent:** **** Dec. 21, 2021**

(54) **VR ADJUSTABLE HEAD STRAP**

FOREIGN PATENT DOCUMENTS

(71) Applicant: **Jundi Liang**, Guangdong (CN)

CN 303969950 * 2/2016

CN 304249974 * 8/2017

(72) Inventor: **Jundi Liang**, Guangdong (CN)

(Continued)

(73) Assignee: **Shenzhen Masitiya Network Technology Co., Ltd.**, Guangdong (CN)

OTHER PUBLICATIONS

(**) Term: **15 Years**

Cnbeyoung VR Headstrap: , early review date Dec. 13, 2020, [online], [site visited Sep. 10, 2021]. Available from Internet, <URL: https://www.amazon.com/Adjustable-Headset-Enhanced-Support-Comfort/dp/B08M9DZLDV/ref=sr_1_31?dchild=1&keywords=vr+headsets&qid=1631297515&sr=8-31> (Year: 2020).*

(21) Appl. No.: **29/763,964**

(Continued)

(22) Filed: **Dec. 28, 2020**

Primary Examiner — Sanjeev Paul

(51) **LOC (13) Cl.** **16-06**

(52) **U.S. Cl.**

USPC **D16/339**

(57) **CLAIM**

(58) **Field of Classification Search**

The ornamental design for a VR adjustable head strap, as shown and described.

USPC D16/101, 300–342; D29/109–110; 351/41, 44, 45–48, 51–52, 62, 158, 92, 351/103–123, 140–153, 63, 59; D14/372, D14/496, 432, 371, 125, 126, 129, 299
CPC ... A63B 33/00; A63B 33/002; A63B 2244/19; G02C 5/22; G02C 5/2218; G02C 5/2236; G02C 5/2245; G02C 5/2254; G02C 5/2272; G02C 5/16; G02C 5/14; G02C 5/146; G02C 5/008; G02C 2200/00; G02C 2200/02; G02C 2200/04; G02C 2200/06; G02C 2200/08; G02C 5/02; G02C 5/04; G02C 5/143; G02C 5/20; G02B 27/017; G02B 27/0158; G02B 27/0161; G02B 27/0181; G02B 27/0185; G02B 27/0189

DESCRIPTION

See application file for complete search history.

FIG. 1 is a perspective view of a VR adjustable head strap showing my new design;
FIG. 2 is a front elevation view thereof;
FIG. 3 is a rear elevation view thereof;
FIG. 4 is a left side elevation view thereof;
FIG. 5 is a right side elevation view thereof;
FIG. 6 is a top plan view thereof;
FIG. 7 is a bottom plan view thereof;
FIG. 8 is an enlarged view of the VR adjustable head strap shown in FIG. 2
FIG. 9 is another enlarged view of the VR adjustable head strap shown in FIG. 4
FIG. 10 is another enlarged view of the VR adjustable head strap shown in FIG. 1; and
FIG. 11 is another enlarged view of the VR adjustable head strap shown in FIG. 6; and,
FIG. 12 is a perspective view showing the separated state of VR adjustable head strap.

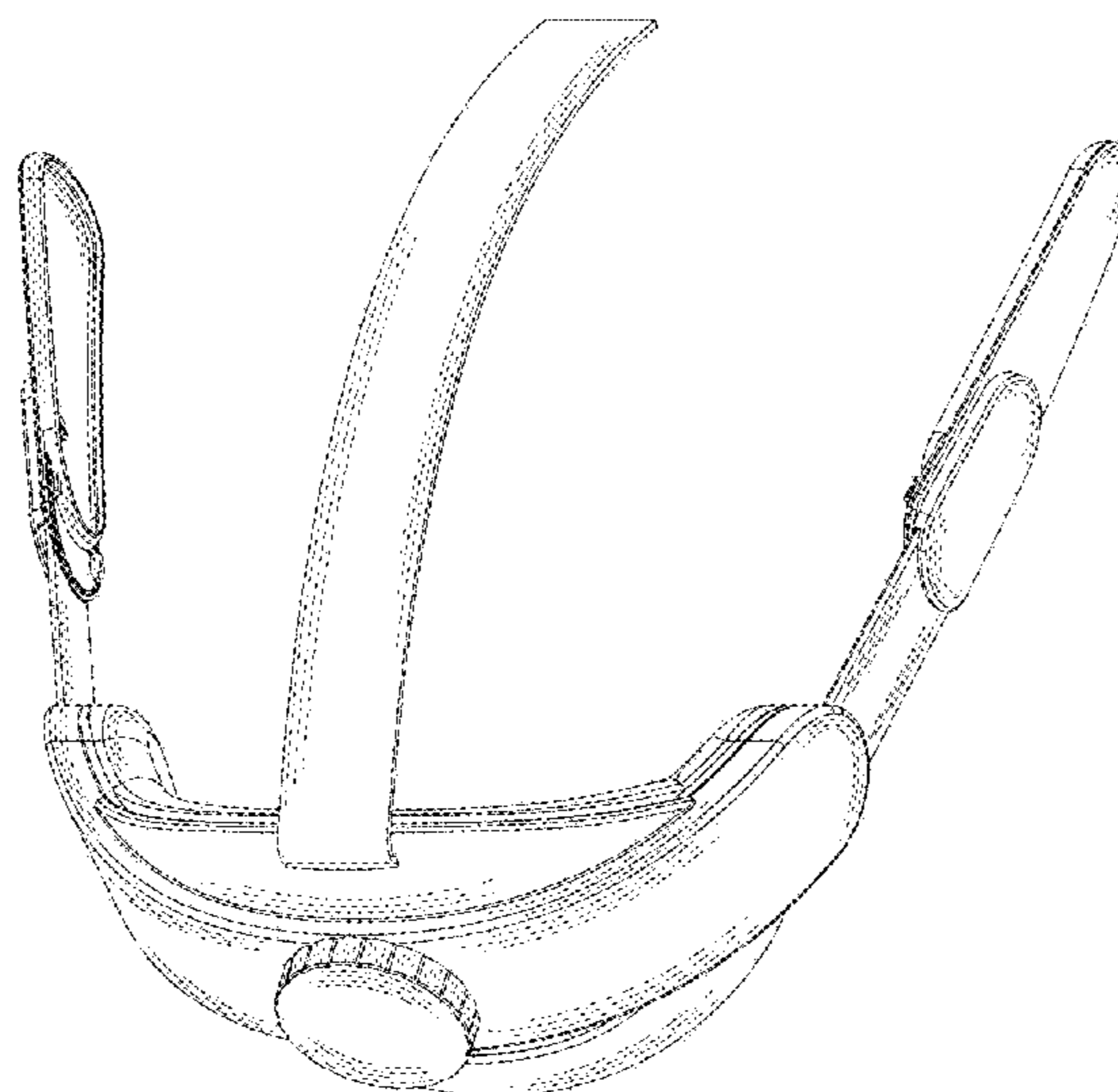
(56) **References Cited**

U.S. PATENT DOCUMENTS

D345,798 S 4/1994 Hildenbrand et al.
D441,886 S 5/2001 Beck
D589,686 S 4/2009 Lowe et al.

(Continued)

1 Claim, 12 Drawing Sheets



(56)

References Cited

U.S. PATENT DOCUMENTS

D613,265 S 4/2010 Ponzio et al.
D732,028 S * 6/2015 Kim D14/372
D740,815 S * 10/2015 Bosveld D14/372
D741,327 S * 10/2015 Reznik D14/372
D753,111 S * 4/2016 Fei D14/372
D759,655 S * 6/2016 Sullivan D14/372
D761,257 S * 7/2016 Passmore D14/372
D764,467 S * 8/2016 Nokuo D14/372
D780,751 S * 3/2017 Park D14/372
D781,288 S * 3/2017 Park D14/372
D785,619 S * 5/2017 Su D14/372
9,638,921 B2 * 5/2017 Miller G06F 1/163
D791,125 S * 7/2017 Sullivan D14/372
D791,126 S * 7/2017 Sullivan D14/372
D791,128 S * 7/2017 Sullivan D14/372
D791,129 S * 7/2017 Sullivan D14/372
9,716,932 B2 * 7/2017 Miller H04R 1/1066
D800,115 S * 10/2017 Li D14/372
D801,970 S * 11/2017 Sullivan D14/372
D803,213 S * 11/2017 Kim D14/372
D807,354 S * 1/2018 Yee D14/372
D809,517 S * 2/2018 Sakata D14/372
D818,021 S * 5/2018 Ai D16/100
D819,635 S * 6/2018 Miller D14/372
D823,855 S * 7/2018 Robertson D14/372
D827,015 S * 8/2018 Chen D16/312
D827,642 S * 9/2018 Liu D14/372
D829,208 S * 9/2018 Dallmeyer D14/372
D838,719 S * 1/2019 Wei D14/372
D839,269 S * 1/2019 Wang D14/372
D840,399 S * 2/2019 Miller D14/372
10,212,517 B1 * 2/2019 Beltran H04S 3/004
D865,763 S * 11/2019 Lau D14/372
D867,362 S * 11/2019 Chou D14/372
D869,464 S * 12/2019 Chang D14/372
D870,977 S * 12/2019 Berggren D29/122
D882,568 S * 4/2020 Park D14/372

D883,979 S * 5/2020 Chen D14/372
D885,383 S * 5/2020 Chang D14/372
D889,464 S * 7/2020 Wang D14/372
D890,172 S * 7/2020 Wei D14/372
D894,897 S * 9/2020 Wei D14/372
D898,025 S * 10/2020 Bhat D14/372
D898,738 S * 10/2020 Denhez D14/372
D904,402 S * 12/2020 Marquis D14/372
D905,779 S * 12/2020 Jeon D16/208
D916,702 S * 4/2021 Newsom D14/372
D920,974 S * 6/2021 Chi D14/372
D924,234 S * 7/2021 Meng D14/372
D925,528 S * 7/2021 Bristol D14/372
D928,151 S * 8/2021 Hu D14/372

FOREIGN PATENT DOCUMENTS

CN 304975081 * 1/2019
CN 305744995 * 4/2020

OTHER PUBLICATIONS

HTC VIVE Deluxe Audio Strap review dated May 30, 2017 [online], [site visited Sep. 10, 2021]. Available from Internet, <URL: <https://finance.yahoo.com/news/htc-vive-deluxe-audio-strap-review-best-vr-130041206.html> (Year: 2017).*

Oculus Quest 2 VR Headset, date: unknown, [online],[site visited Sep. 11, 2021]. Available from Internet, <URL: <https://www.caesarvr.com/vr-ar-news/strap-for-your-oculus-quest-2-vr-headset>> (Year: 2021).*

Google search: “vr headset strap” [site visited Sep. 11, 2021]: https://www.google.com/search?q=vr++headset+strap&sxsrf=AOaemvJz9vtuPYUJzCQqMYJG8e5QRwOhw:1631296789730&source=lnms&tbm=isch&sa=X&ved=2ahUKEwii1bKN_vTyAhWjFVvKfHZGoBOYQ_AUoAnoECAEQBA&biw=1920&bih=1057 (Year: 2021).*

* cited by examiner

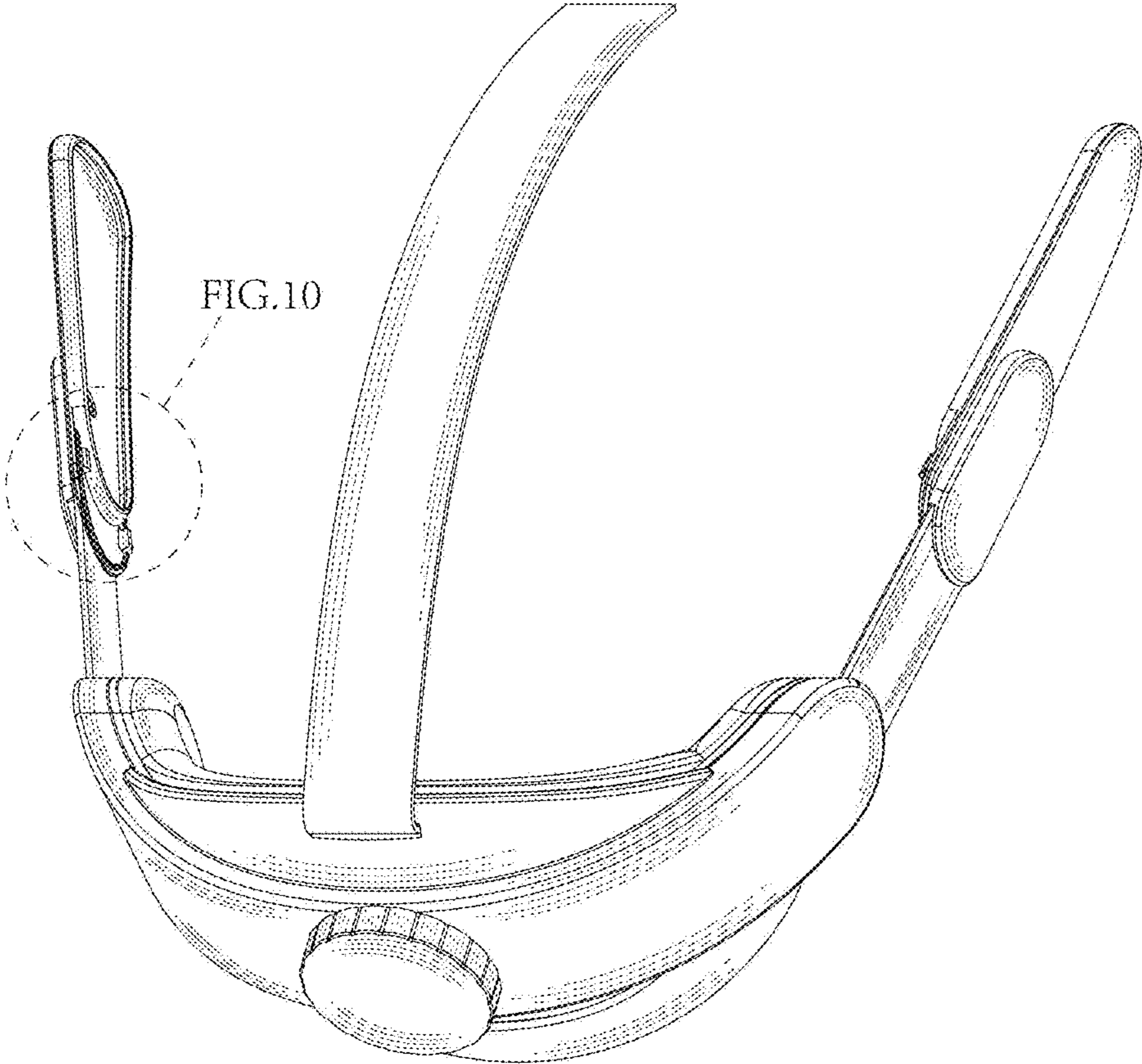


FIG. 1

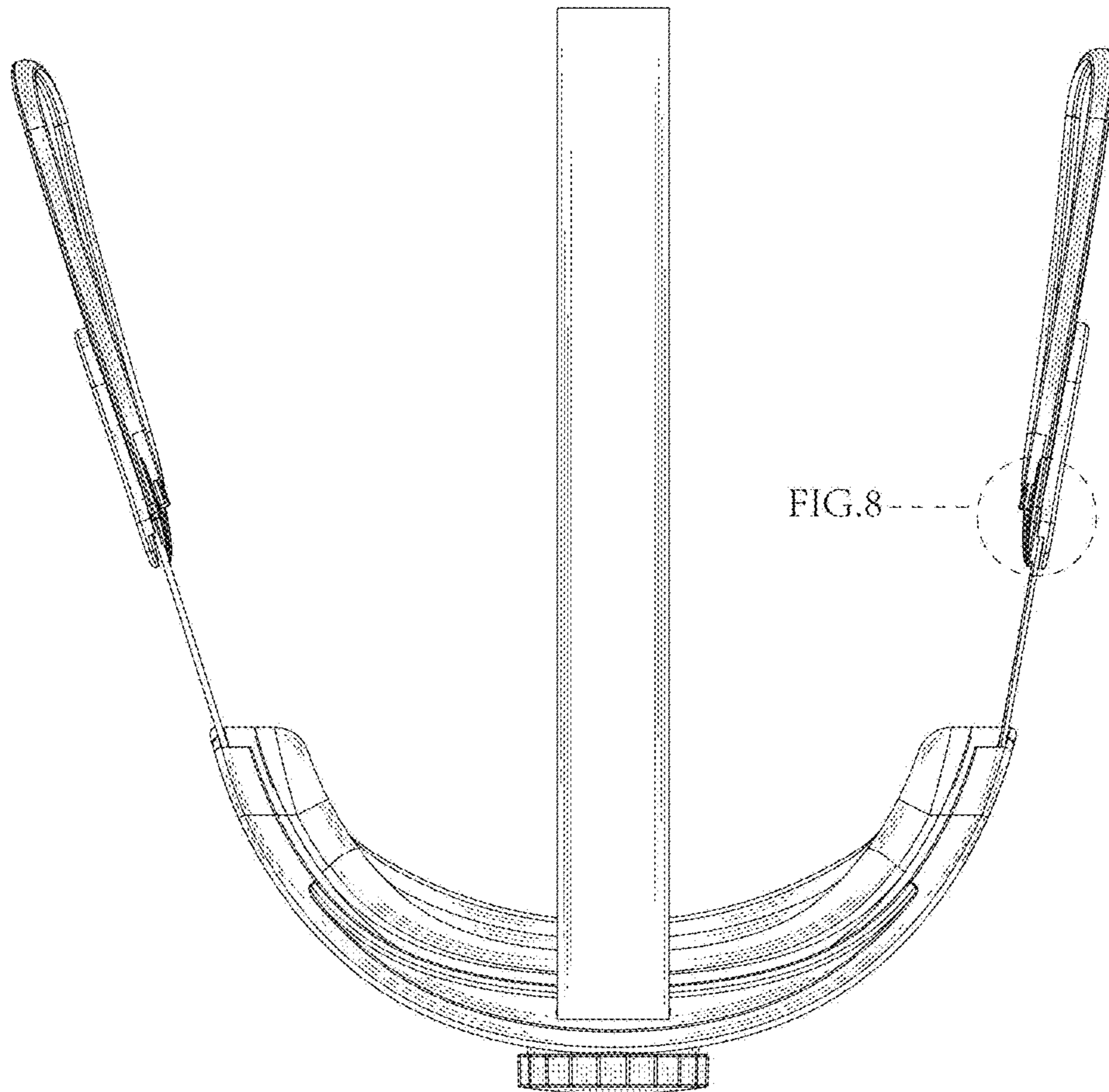


FIG. 2

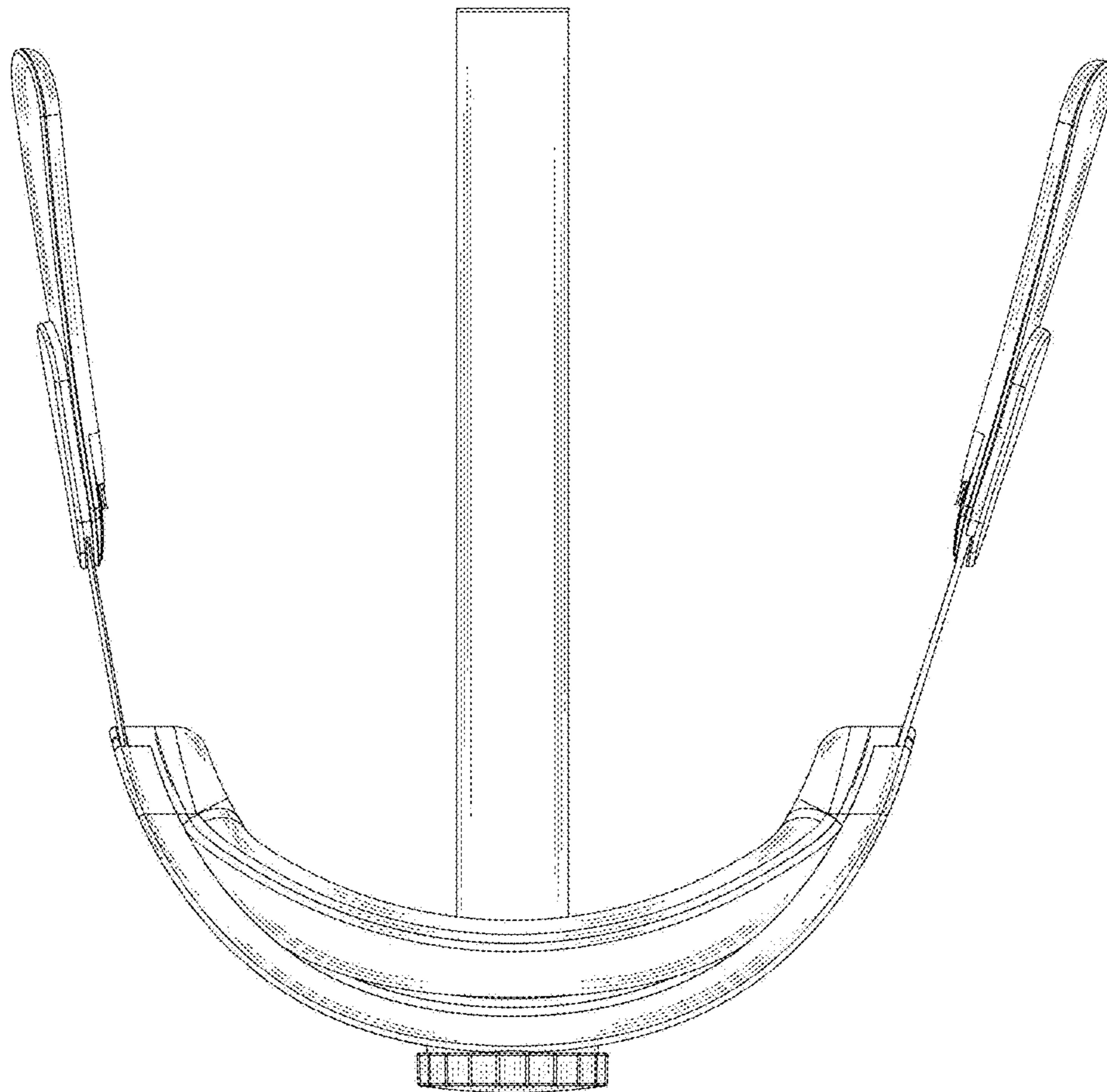


FIG. 3

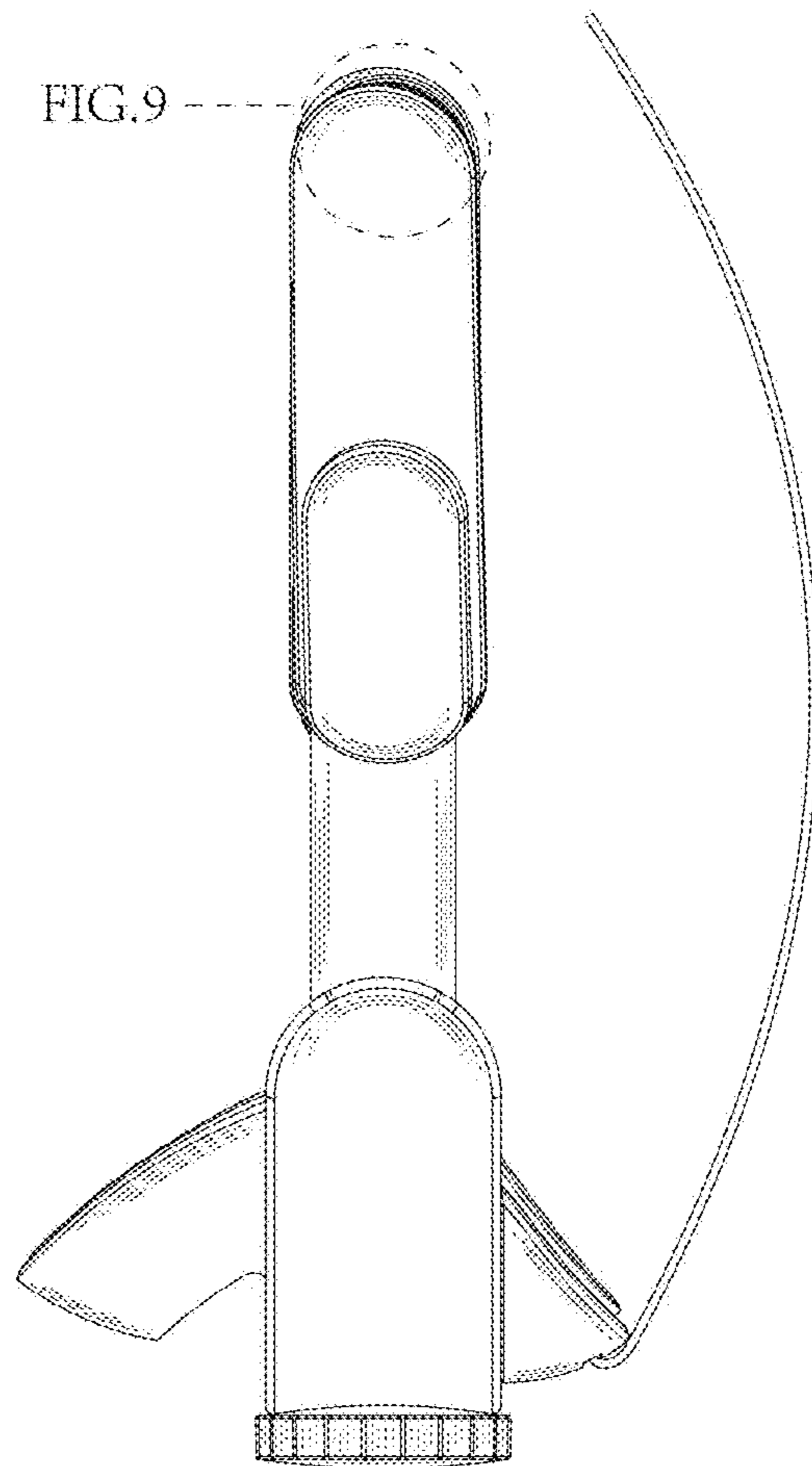


FIG. 4

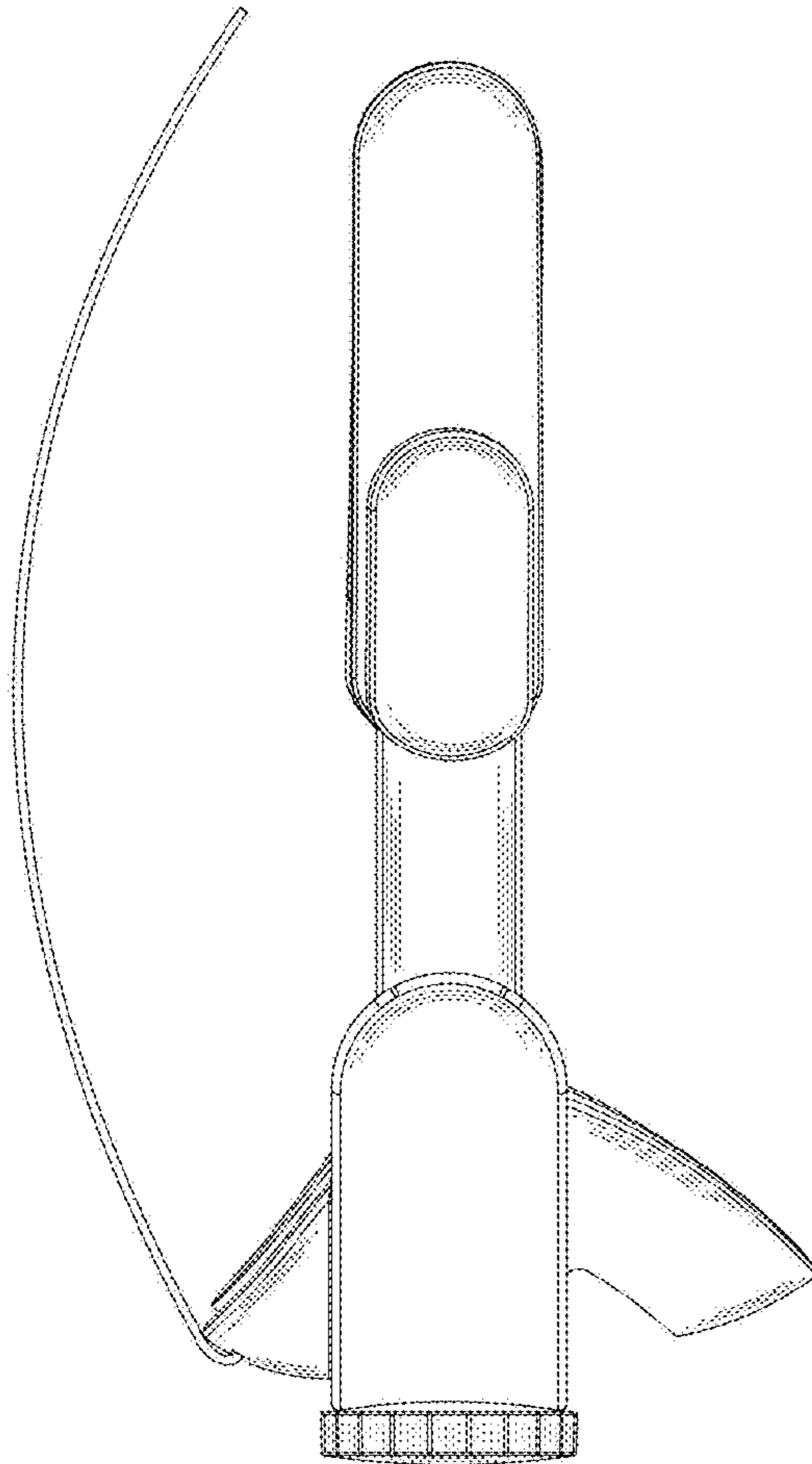


FIG. 5

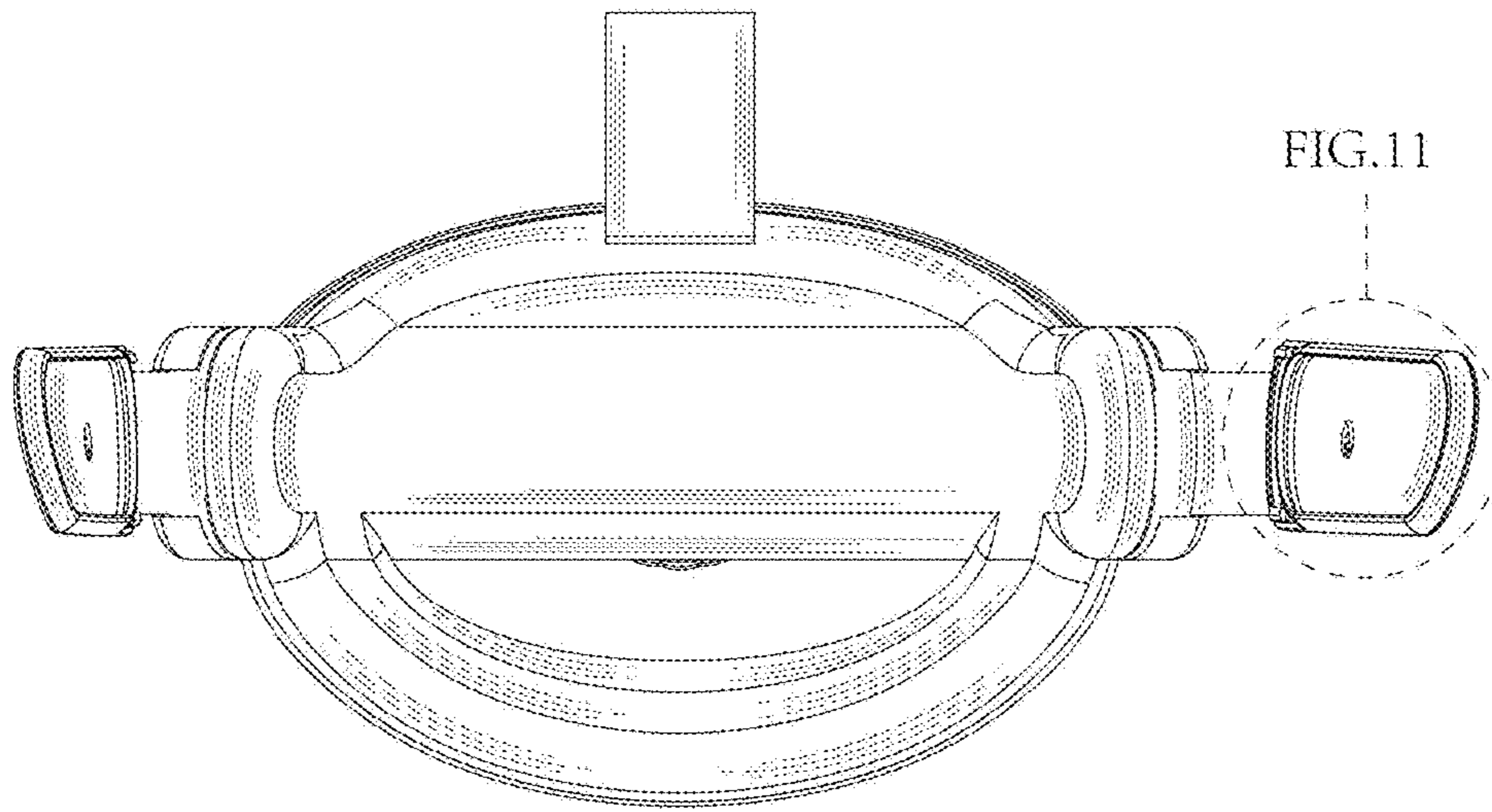


FIG. 6

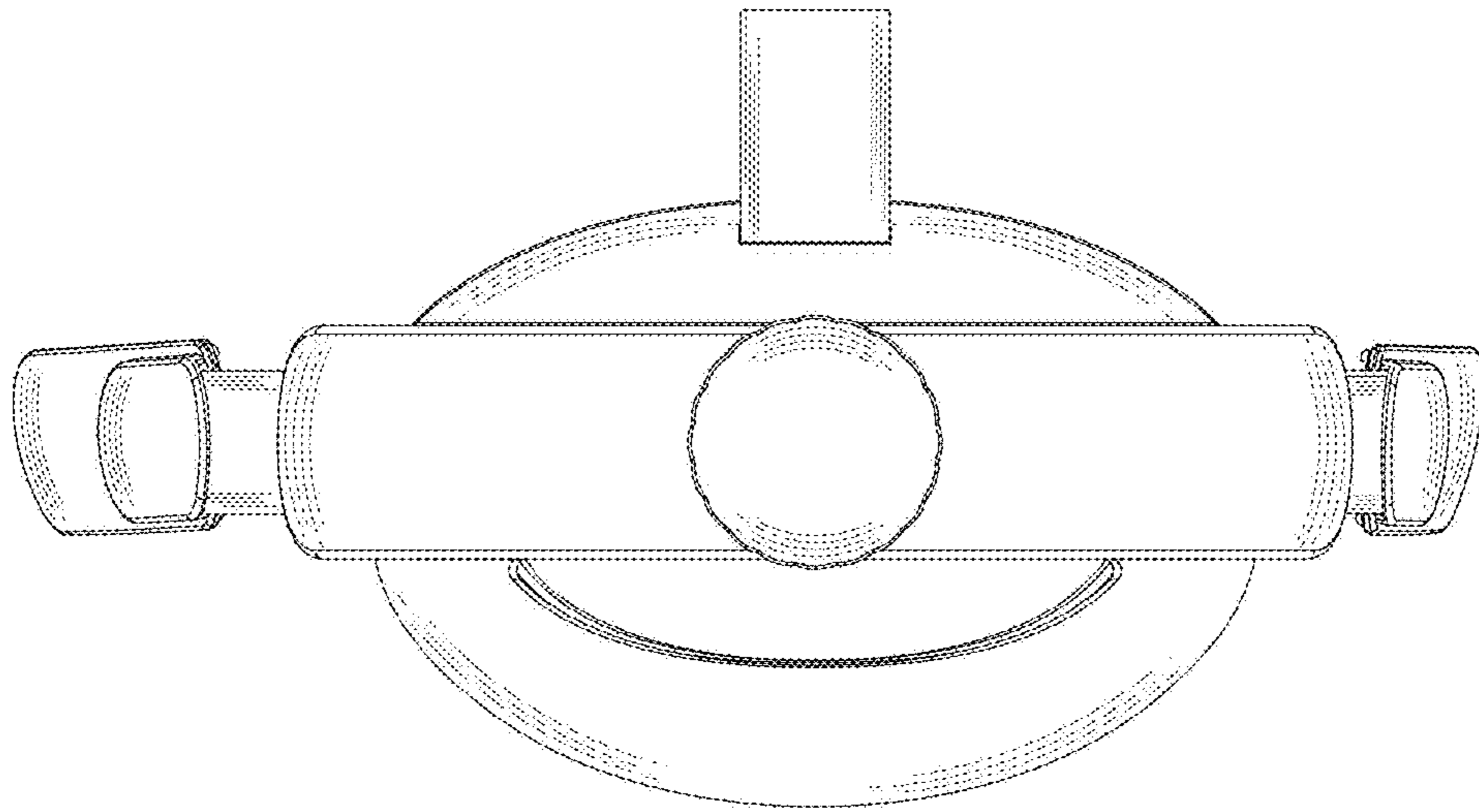


FIG. 7

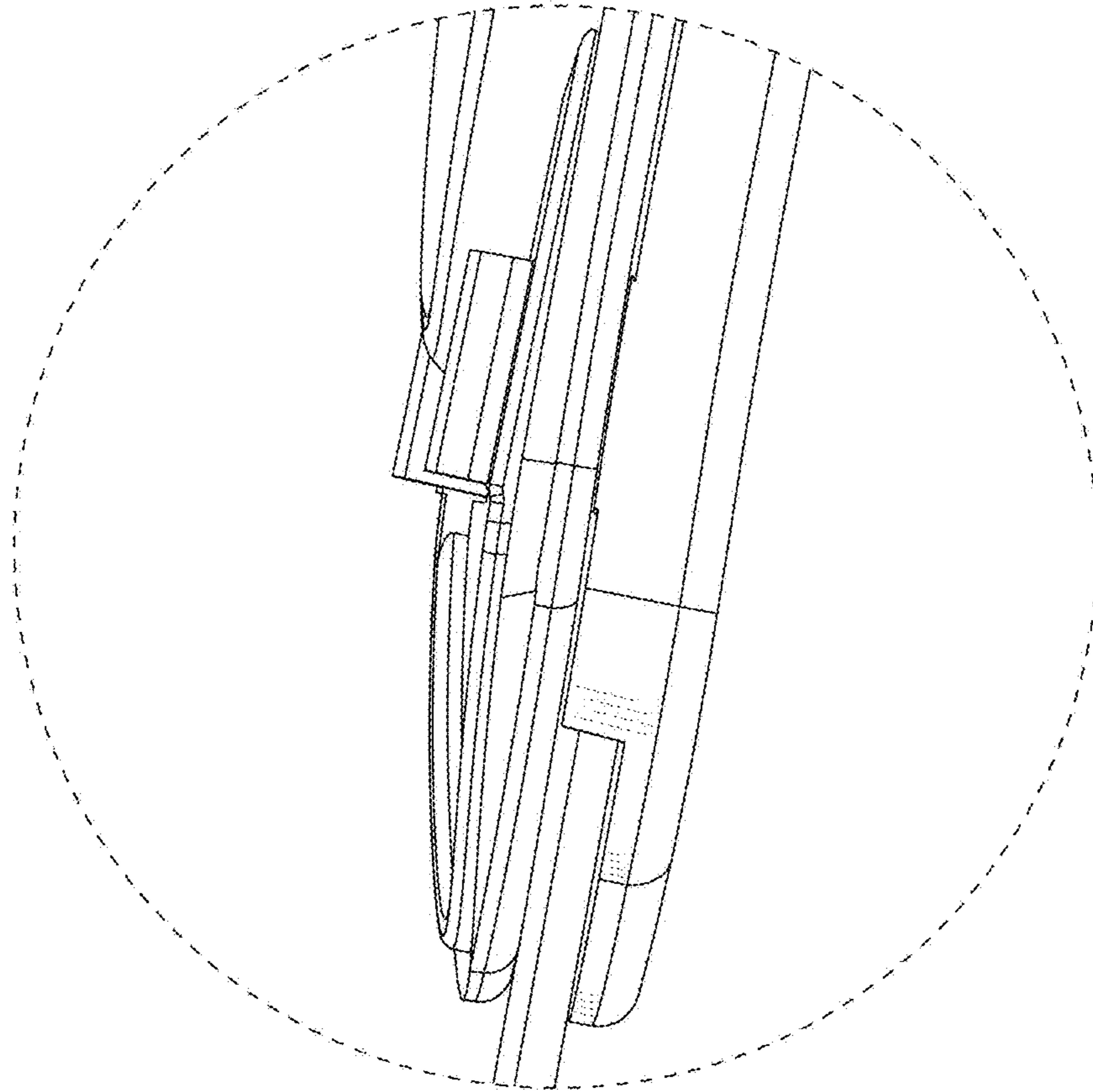


FIG. 8

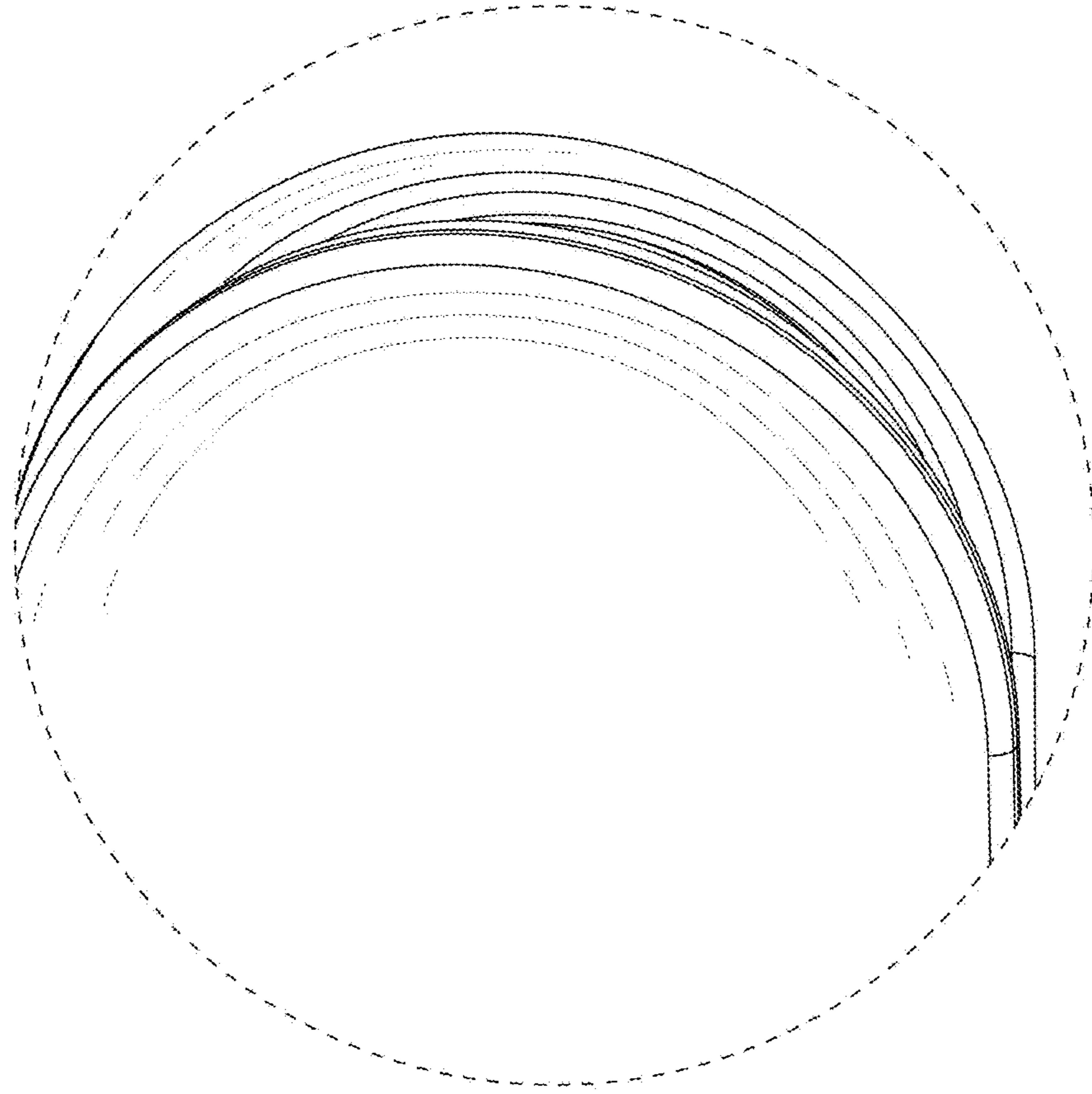


FIG. 9

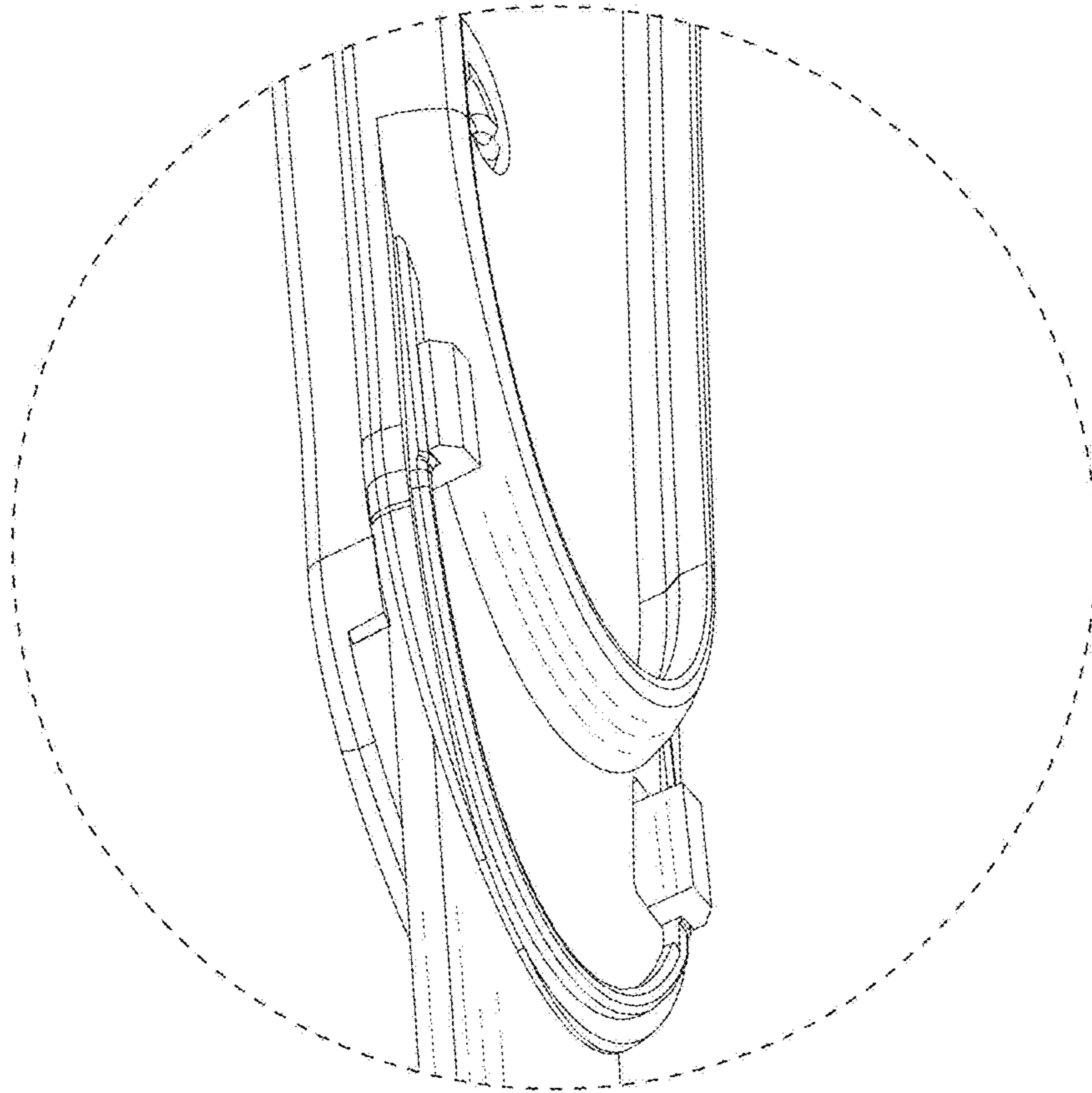


FIG. 10

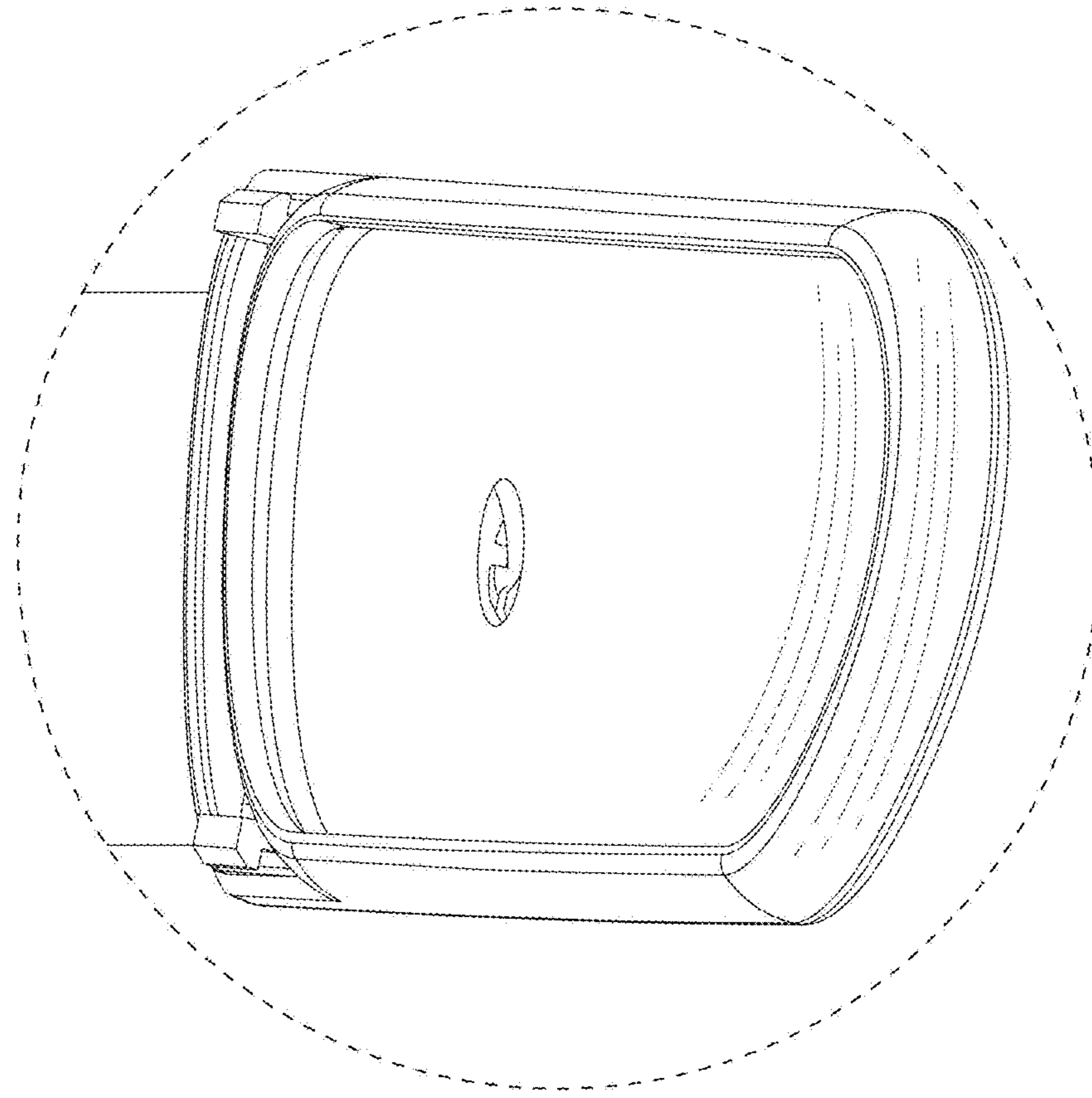


FIG. 11

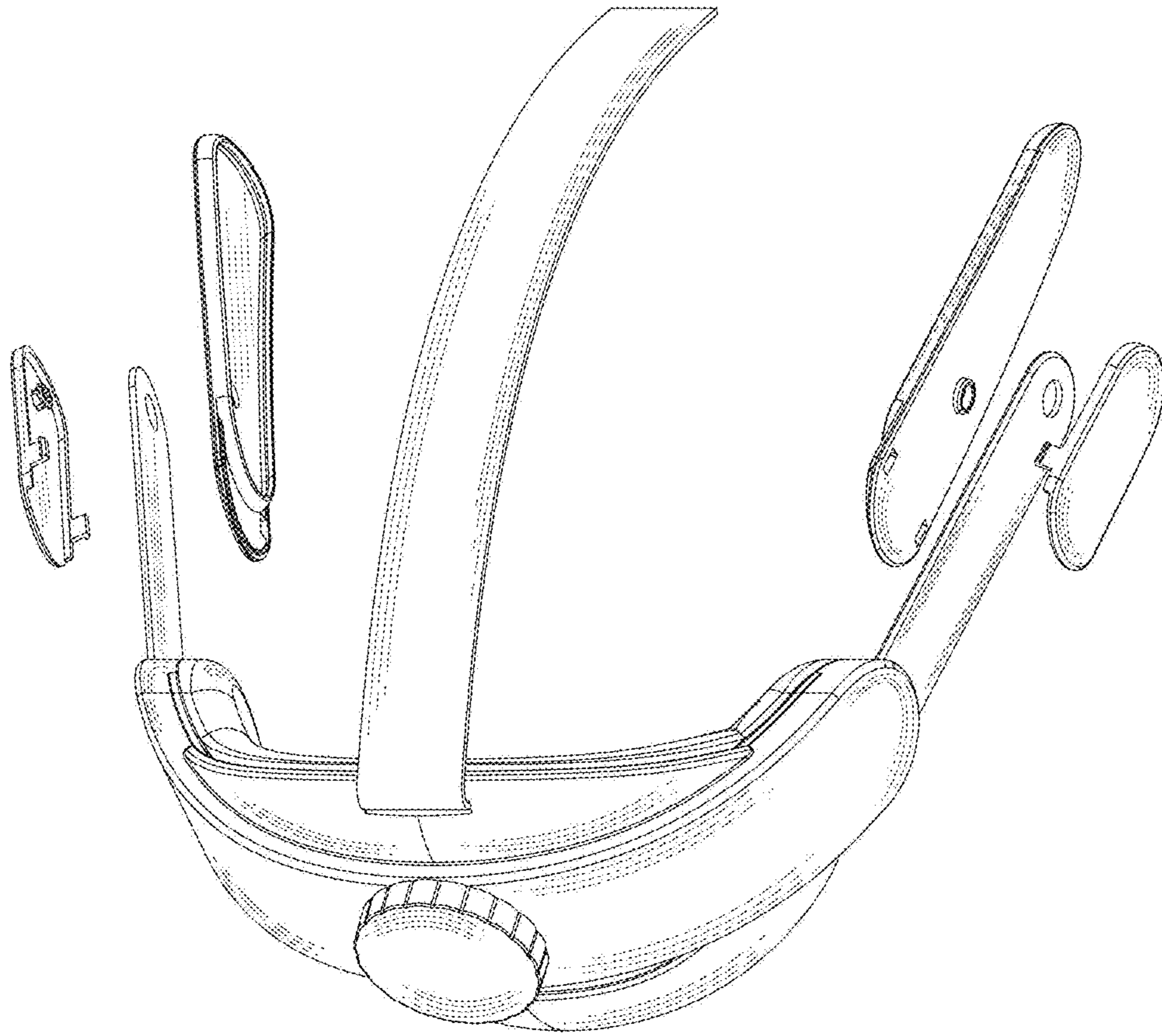


FIG. 12