



US00D939013S

(12) **United States Design Patent**
Wang

(10) **Patent No.:** **US D939,013 S**

(45) **Date of Patent:** **** Dec. 21, 2021**

(54) **PHOTOGRAPHY SHOOTING BOX WITH ADAPTER**

(71) Applicant: **SHENZHEN APEMAN INNOVATIONS TECHNOLOGY CO., LTD.**, Shenzhen (CN)

(72) Inventor: **Yuanhui Wang**, Shenzhen (CN)

(73) Assignee: **SHENZHEN APEMAN INNOVATIONS TECHNOLOGY CO., LTD.**, Shenzhen (CN)

(**) Term: **15 Years**

(21) Appl. No.: **29/759,364**

(22) Filed: **Nov. 23, 2020**

(51) **LOC (13) Cl.** **16-05**

(52) **U.S. Cl.**
USPC **D16/237**

(58) **Field of Classification Search**
USPC D16/219, 237-250; D9/430-432
CPC G02B 7/00-002; G03B 17/56; G03B 17/561-566; H04N 5/2253-2254
See application file for complete search history.

(56) **References Cited**

U.S. PATENT DOCUMENTS

8,437,080	B2 *	5/2013	Wang	G03B 21/58 359/444
D842,920	S *	3/2019	Yu	D16/237
D888,549	S *	6/2020	Hietanen	D9/432
D922,867	S *	6/2021	Perella	D9/432
2008/0158669	A1 *	7/2008	O'Keefe	G03B 27/56 359/443
2009/0298385	A1 *	12/2009	Brinckerhoff	A63H 33/008 446/487
2015/0321811	A1 *	11/2015	Yeung	B65D 21/0204 220/23.83

OTHER PUBLICATIONS

Portable Photo Studio Light Box. [online] Published on Jun. 21, 2021. Retrieved Oct. 20, 2021 from URL: <https://www.amazon.com/dp/B09742J175?th=1> (Year: 2021).*

(Continued)

Primary Examiner — Vy N Koenig

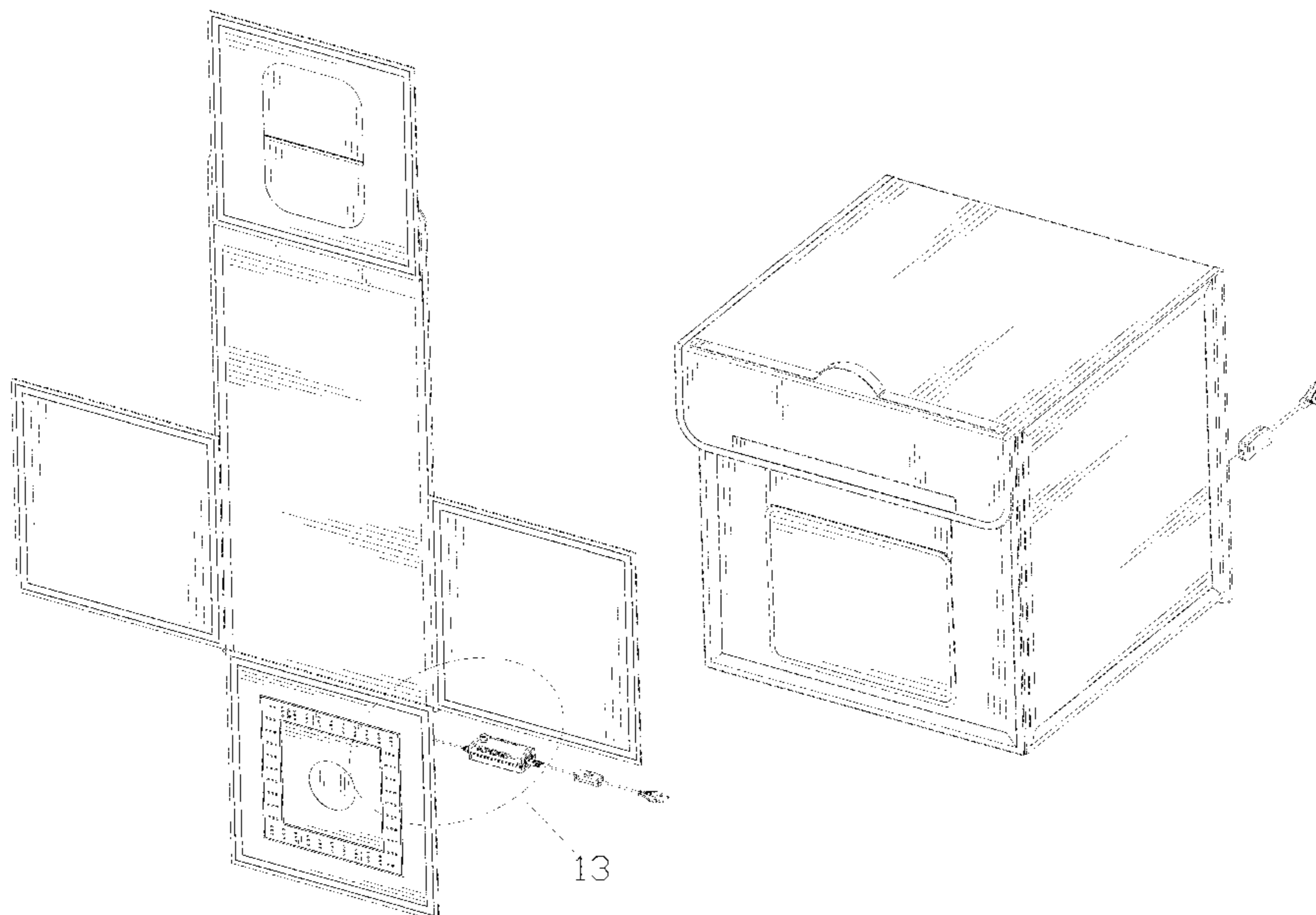
(57) **CLAIM**

The ornamental design for a photography shooting box with adapter, as shown and described.

DESCRIPTION

FIG. 1 is a perspective view of a photography shooting box with adapter showing my new design;
 FIG. 2 is another perspective view thereof;
 FIG. 3 is a front elevational view thereof;
 FIG. 4 is a rear elevational view thereof;
 FIG. 5 is a left side elevational view thereof;
 FIG. 6 is a right side elevational view thereof;
 FIG. 7 is a top plan view thereof;
 FIG. 8 is a bottom plan view thereof;
 FIG. 9 is a perspective view of the photography shooting box with adapter where the photography shooting box with adapter is in a first configuration of use;
 FIG. 10 is a perspective view of the photography shooting box with adapter where the photography shooting box with adapter is in a second configuration of use;
 FIG. 11 is an enlarged view of portion 11 shown in FIG. 1;
 FIG. 12 is an enlarged view of portion 12 shown in FIG. 1; and,
 FIG. 13 is an enlarged view of portion 13 shown in FIG. 2.
 The broken lines in the drawings depict portions of the photography shooting box with adapter that form no part of the claimed design.

1 Claim, 13 Drawing Sheets



(56)

References Cited

OTHER PUBLICATIONS

Photo box 50cm. [online] Retrieved Oct. 20, 2021 from URL: <https://it.aliexpress.com/item/32898055417.html> (Year: 2021).*

FotodioX LED Studio-In-a-Box (20x20_) STUDIO-BOX-LED550-20X20. [online] Published on Dec. 1, 2016. Retrieved Oct. 20, 2021 from URL: https://www.bhphotovideo.com/c/product/1265079-REG/fotodioX_studio_box_led550_20x20_led_studio_in_a_box_20_x.html (Year: 2016).*

29759364_OrbitForeignRefs. Design © Questel orbit.com. [Online PDF compilation of references selected by examiner] 15 pgs. Retrieved Oct. 20, 2021 from URL: <https://www.orbit.com/export/QPTUJ190/pdf2/fde21c20-f674-496b-b22e-4b3160bd0434-165008.pdf>.*

* cited by examiner

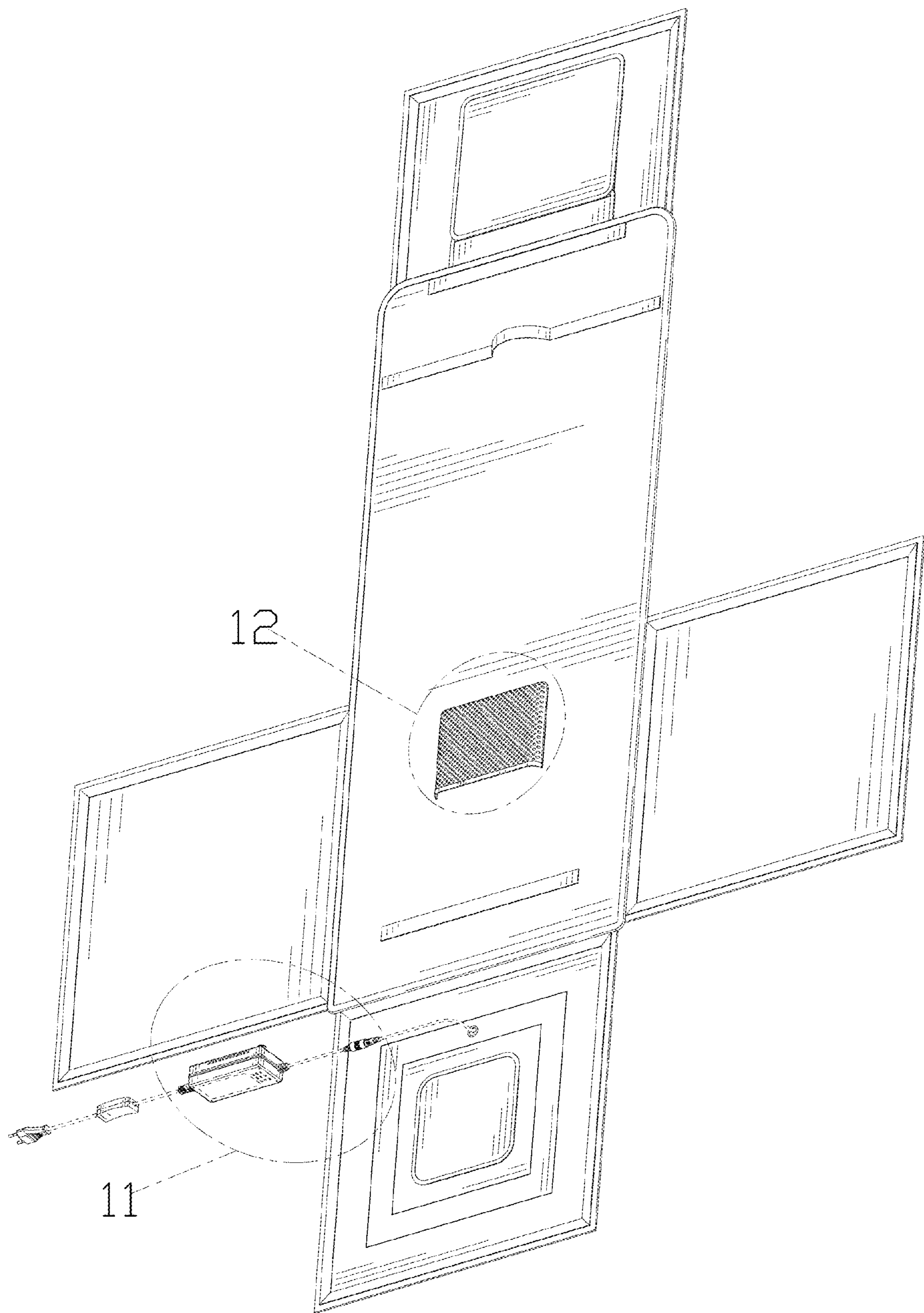


FIG. 1

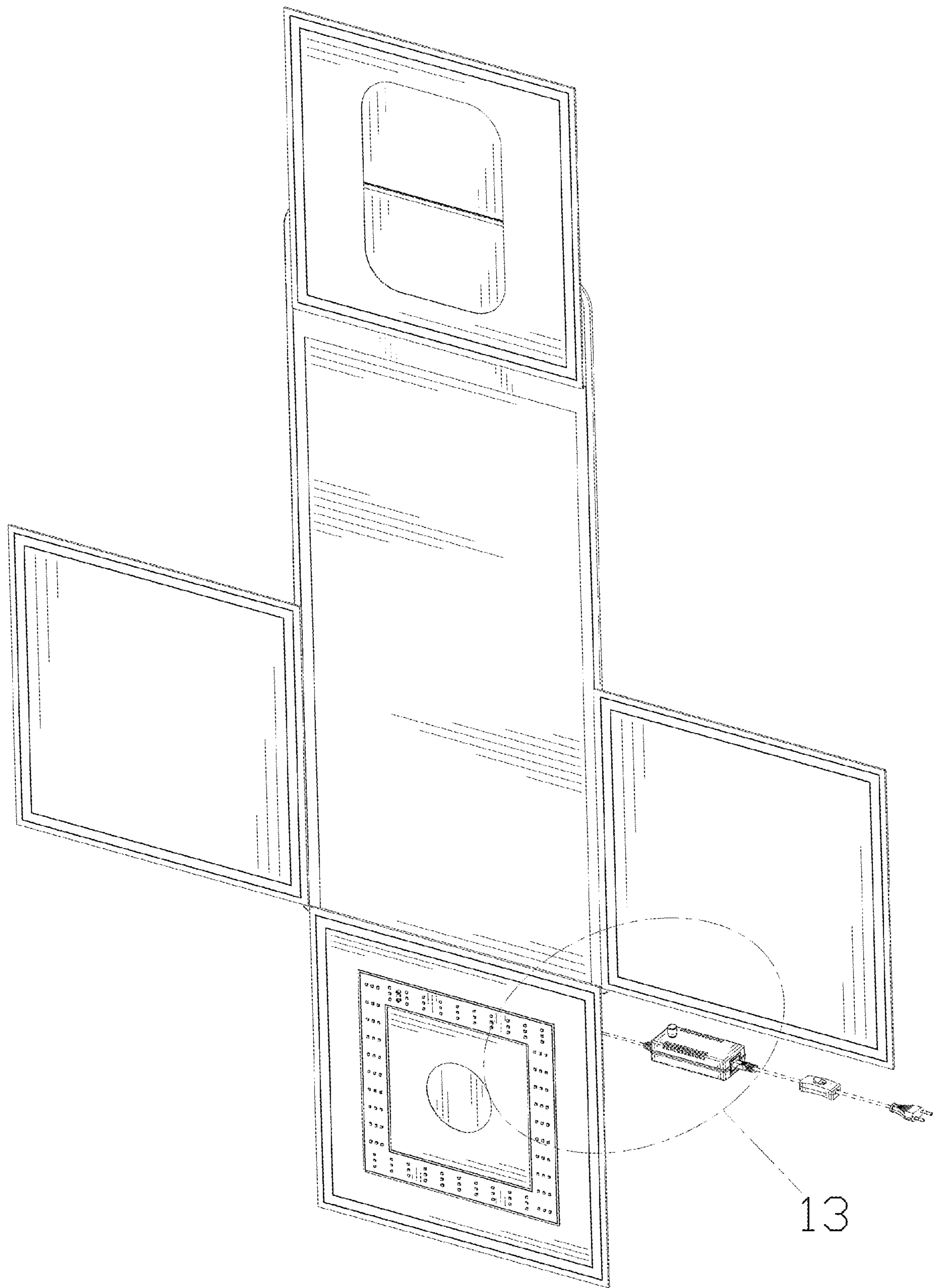


FIG. 2

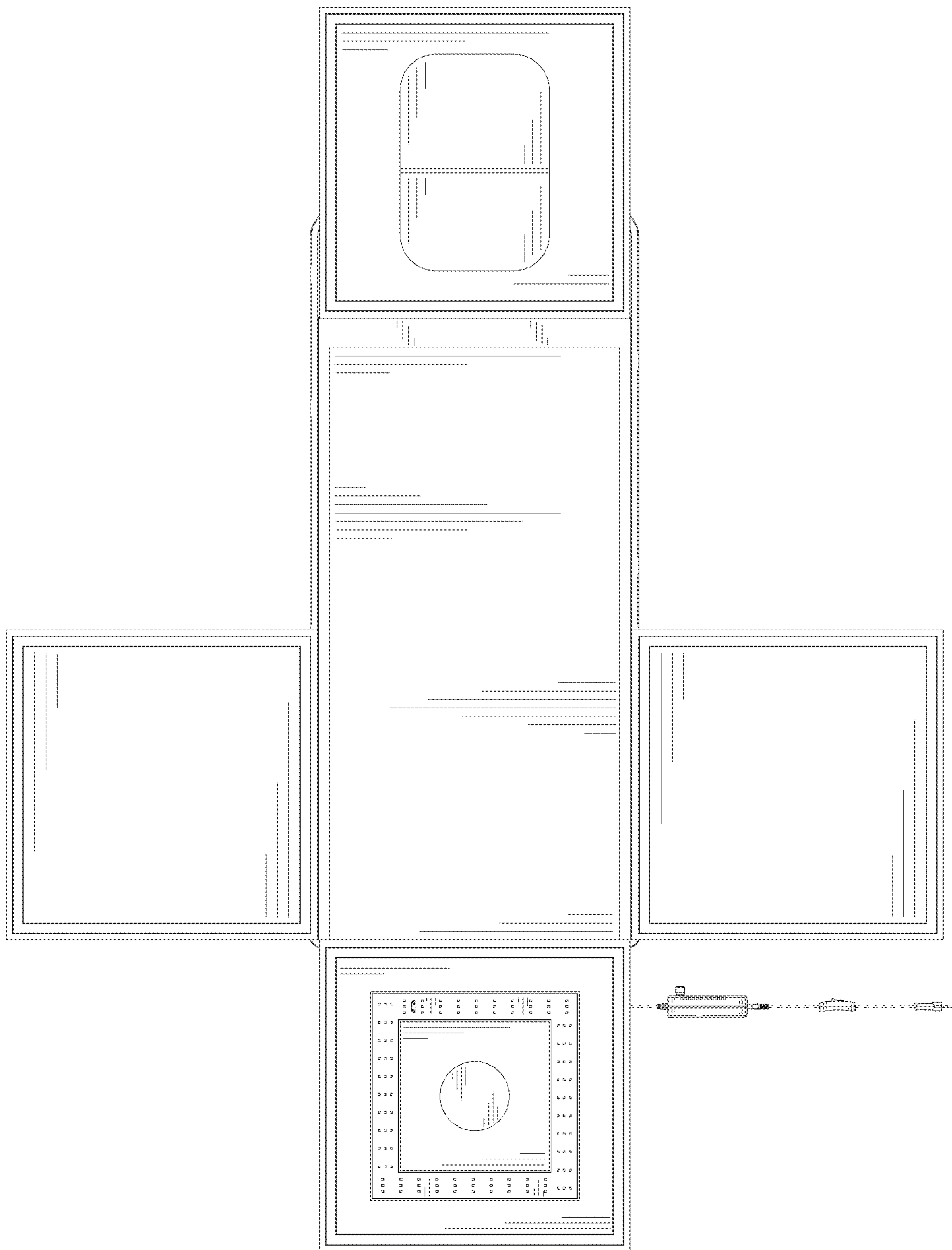


FIG. 3

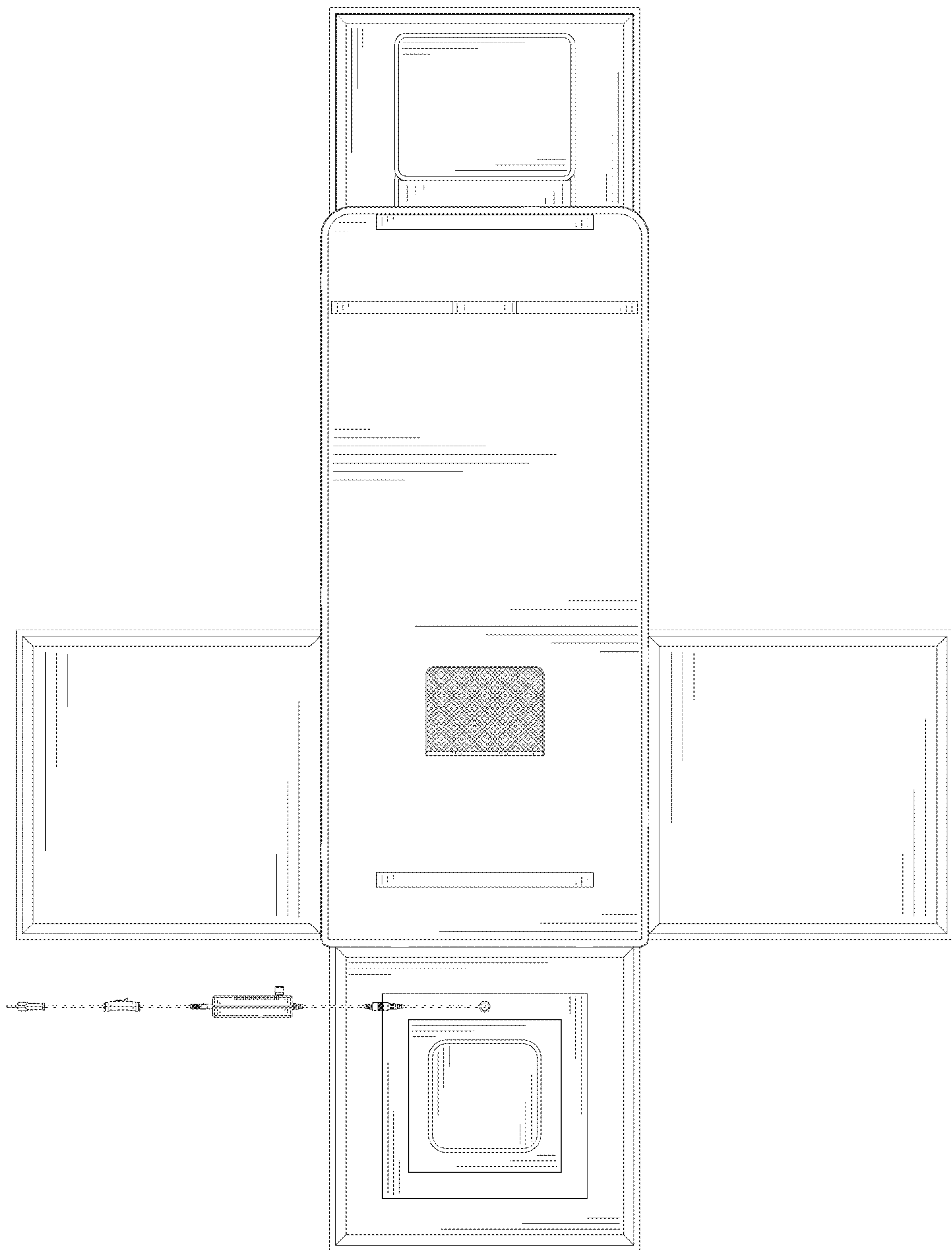


FIG. 4

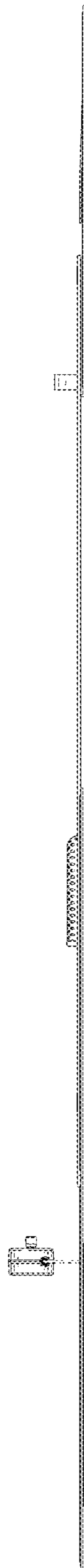


FIG. 5

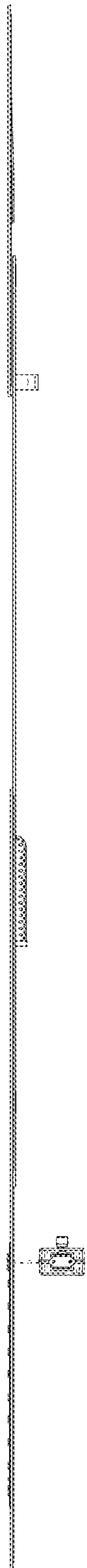


FIG. 6

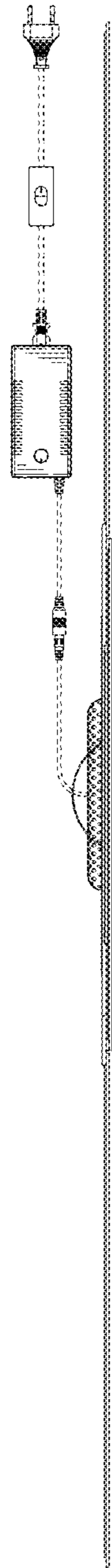


FIG. 7

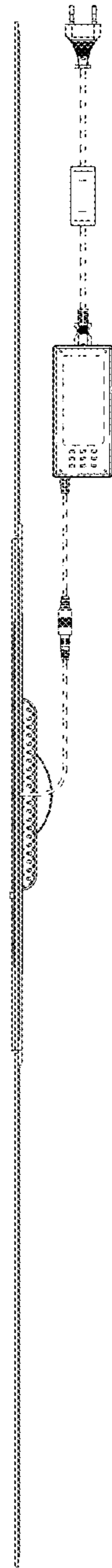


FIG. 8

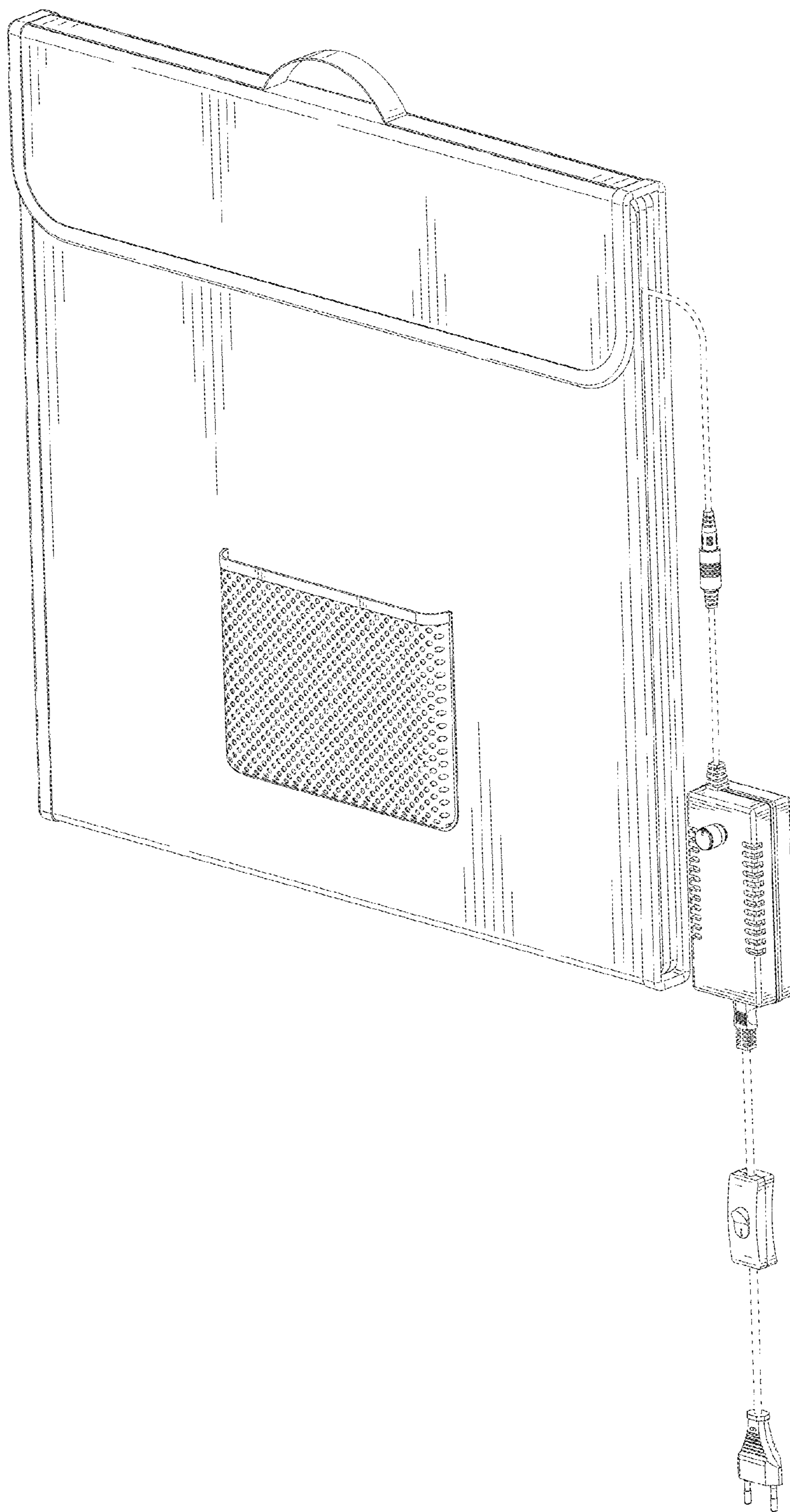


FIG. 9

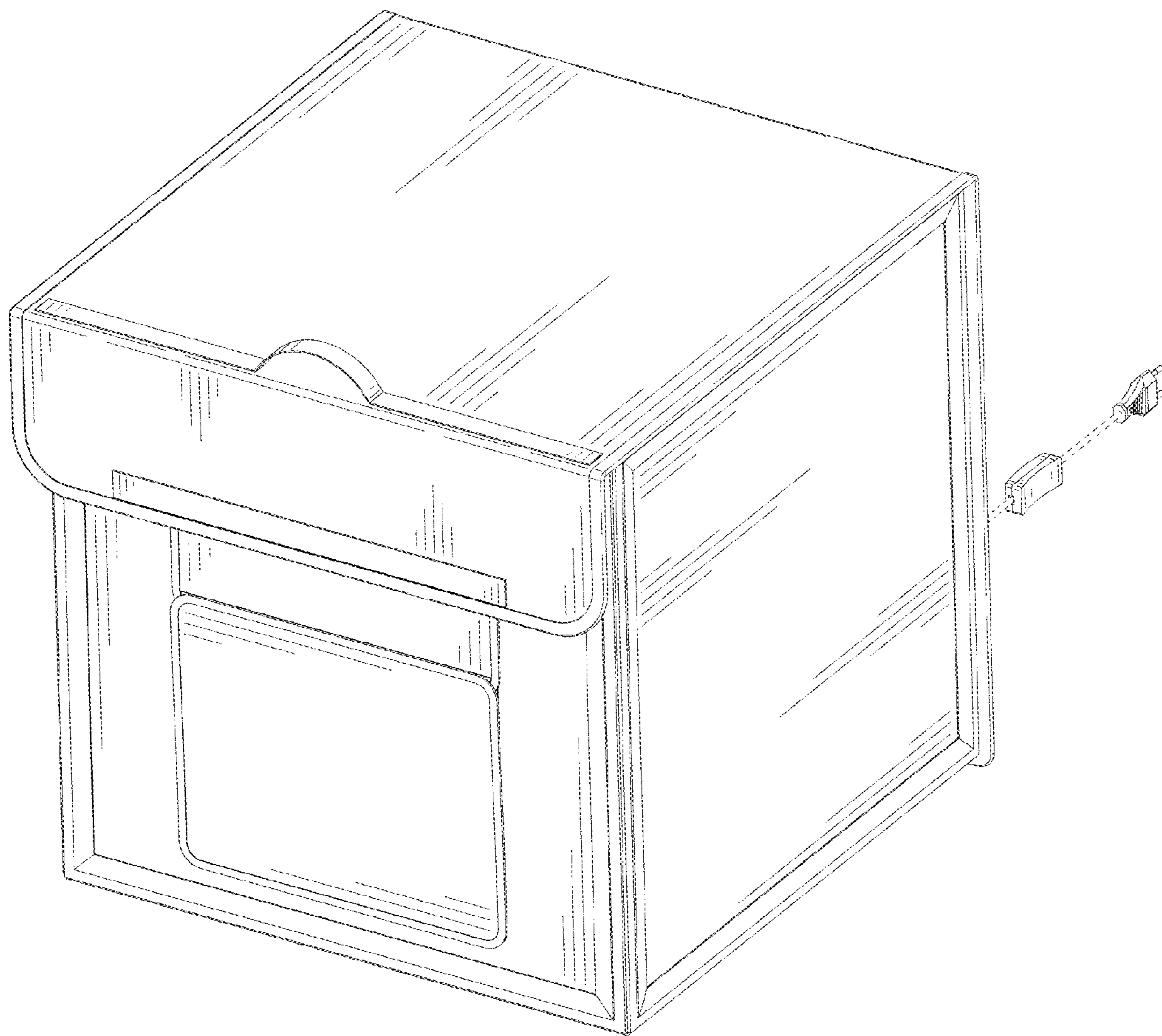


FIG. 10

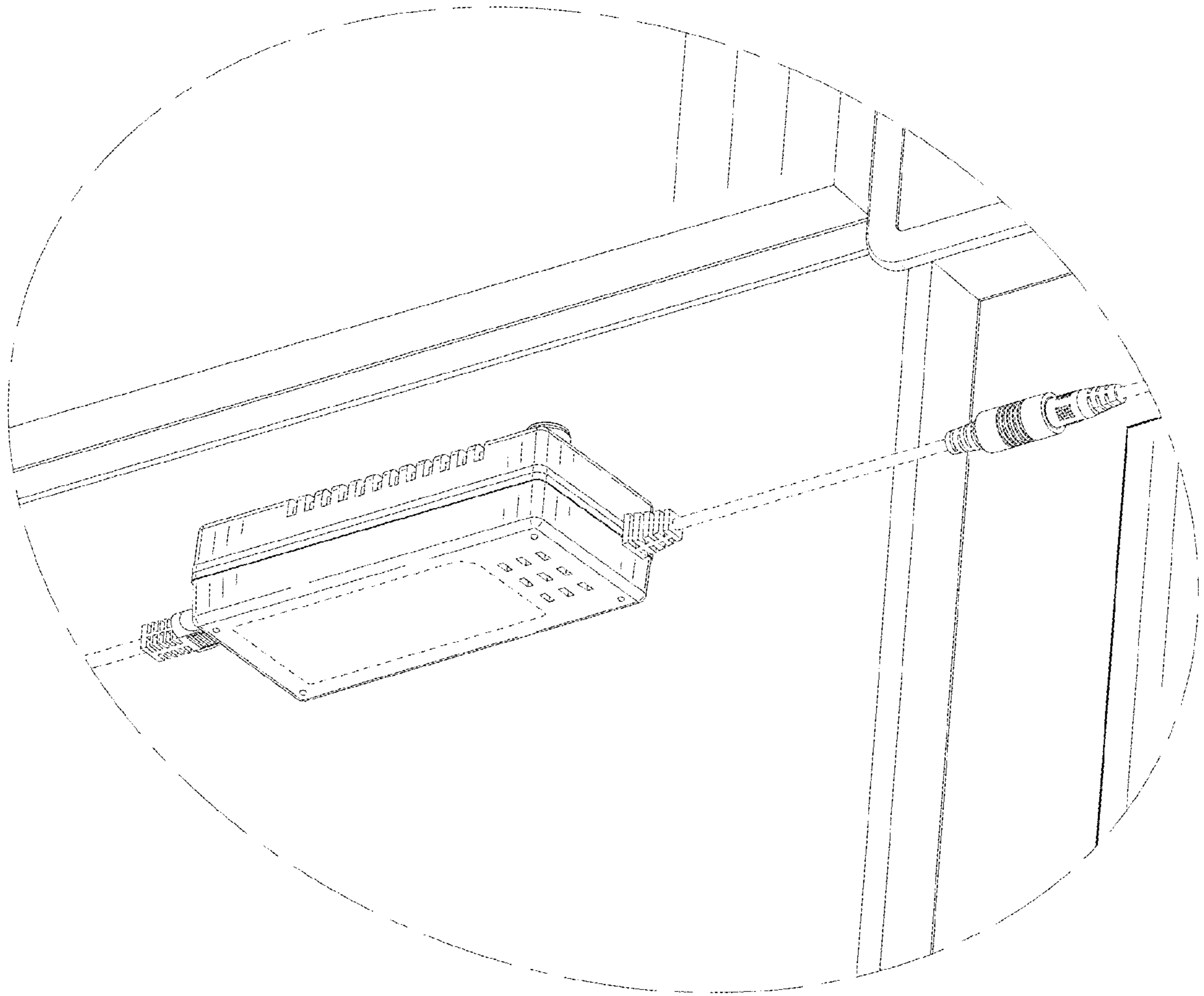


FIG. 11

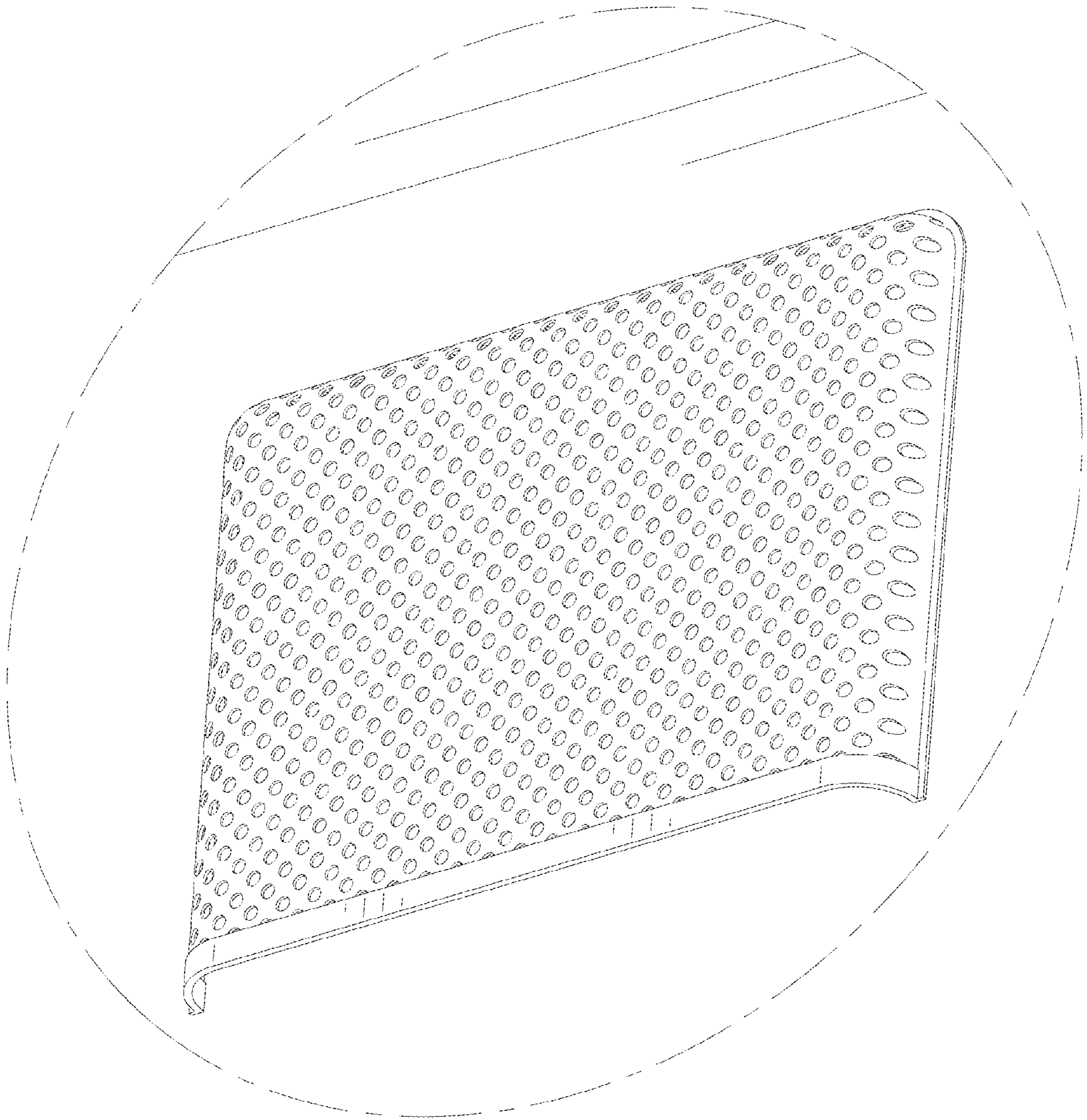


FIG. 12

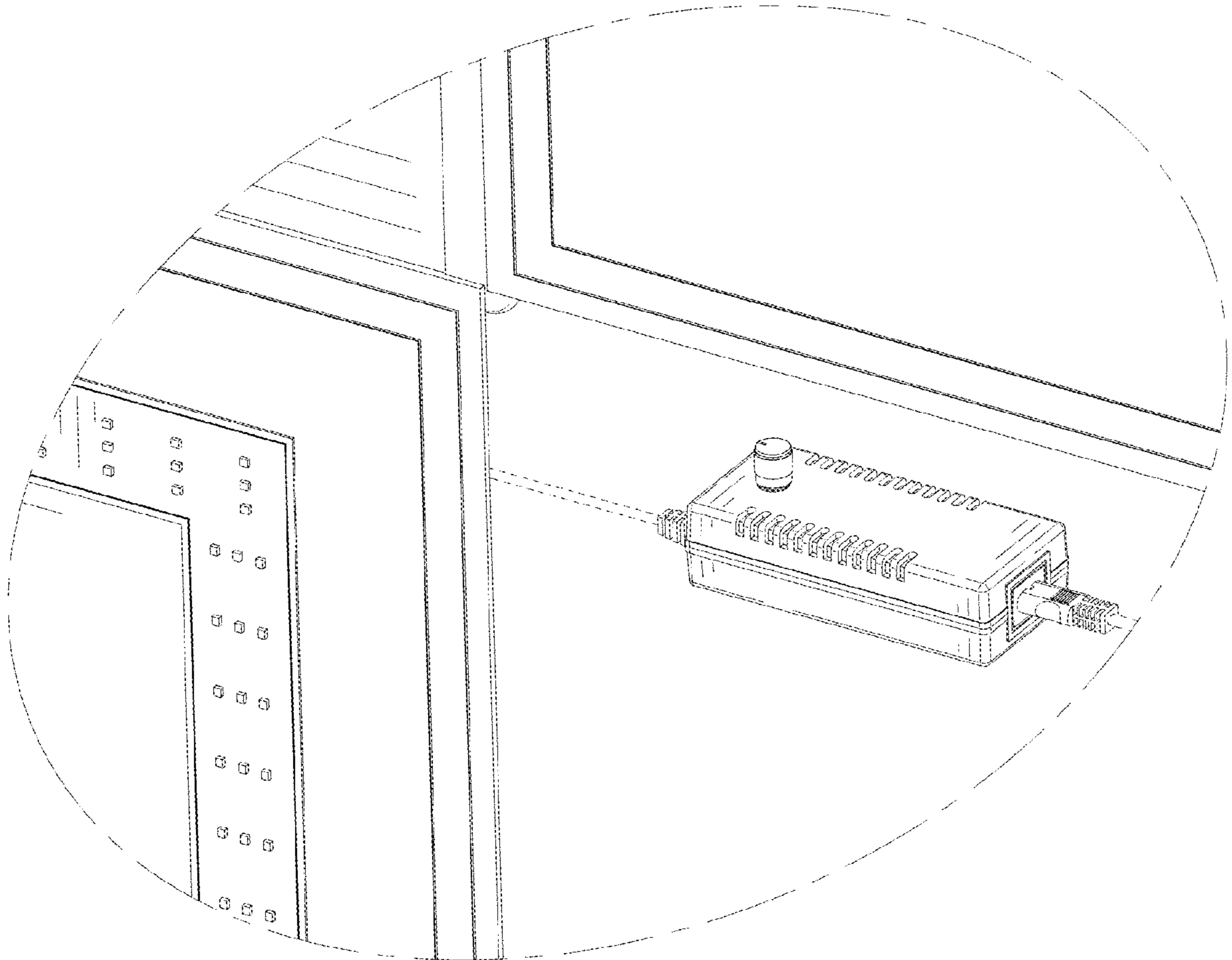


FIG. 13