



US00D939012S

(12) **United States Design Patent**
Liang et al.

(10) **Patent No.:** **US D939,012 S**

(45) **Date of Patent:** **** Dec. 21, 2021**

(54) **PROJECTOR**

(71) Applicant: **SHENZHEN QIANHAI PATUOXUN NETWORK AND TECHNOLOGY CO., LTD.**, Shenzhen (CN)

(72) Inventors: **Qian Liang**, Shenzhen (CN); **Fulin Zhu**, Shenzhen (CN)

(73) Assignee: **SHENZHEN QIANHAI PATUOXUN NETWORK AND TECHNOLOGY CO., LTD.**, Shenzhen (CN)

(**) Term: **15 Years**

(21) Appl. No.: **29/775,715**

(22) Filed: **Mar. 25, 2021**

(51) **LOC (13) Cl.** **16-02**

(52) **U.S. Cl.**
USPC **D16/230**

(58) **Field of Classification Search**
USPC D16/221, 225, 229–231, 234; D21/514
CPC G03B 21/145; G03B 21/14; G03B 21/16;
G03B 21/00; G03B 21/001; G03B 21/003
See application file for complete search history.

(56) **References Cited**

U.S. PATENT DOCUMENTS

D520,551 S 5/2006 Salvatori et al.
D555,185 S * 11/2007 Nozue D16/225

D557,317 S 12/2007 Schoenert et al.
8,104,902 B2 * 1/2012 Mao G03B 21/145
353/119
D669,521 S * 10/2012 Lin D16/230
D865,033 S * 10/2019 Cheng D16/230
D896,299 S * 9/2020 Ou D16/230
D903,744 S * 12/2020 Gao D16/230

* cited by examiner

Primary Examiner — Wan Laymon

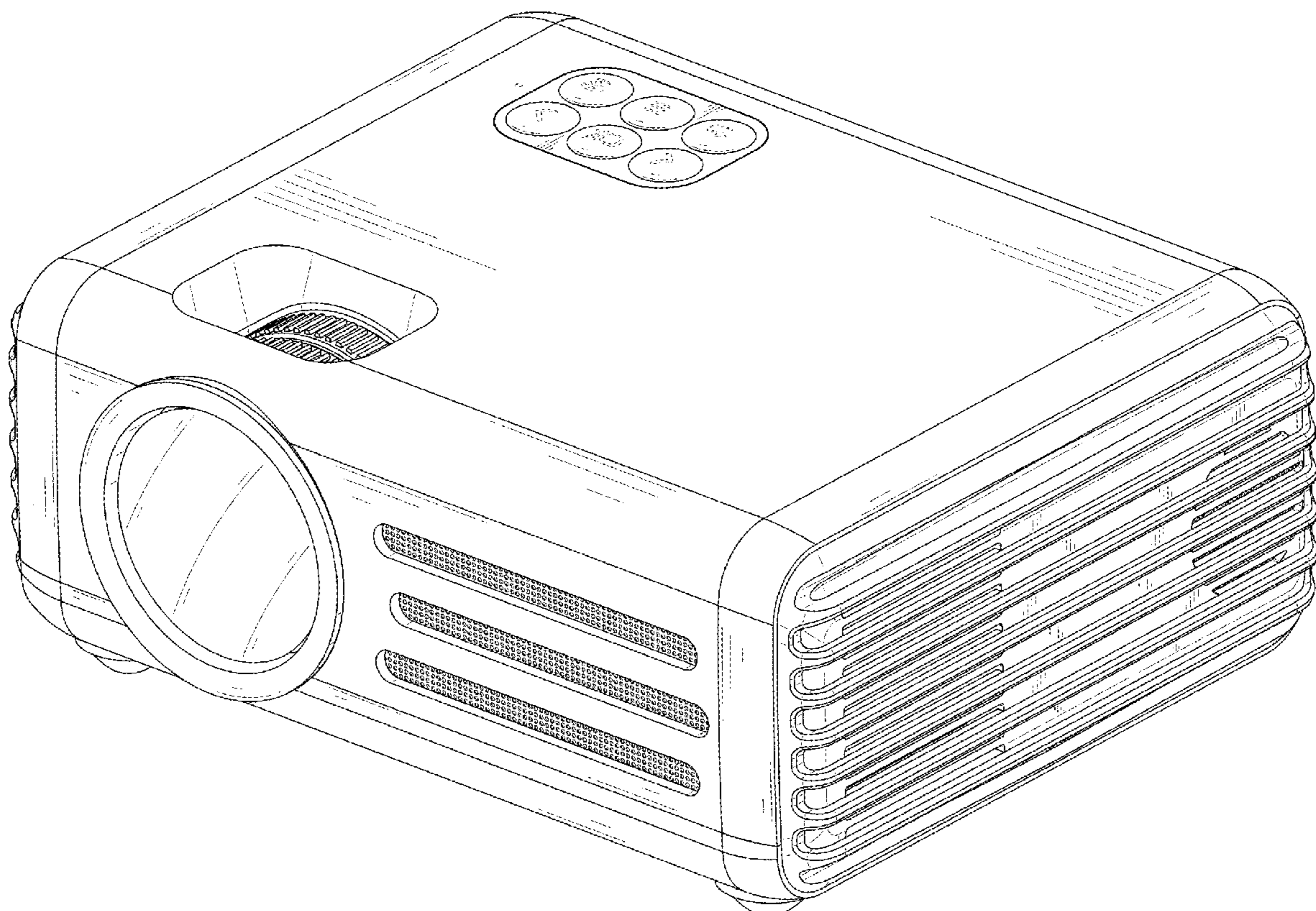
(57) **CLAIM**

The ornamental design for a projector, as shown and described.

DESCRIPTION

FIG. 1 is a perspective view of a projector showing my new design;
FIG. 2 is another perspective view thereof;
FIG. 3 is a front elevational view thereof;
FIG. 4 is a rear elevational view thereof;
FIG. 5 is a left side elevational view thereof;
FIG. 6 is a right side elevational view thereof;
FIG. 7 is a top plan view thereof; and,
FIG. 8 is a bottom plan view thereof.
The broken lines in the drawings depict portions of the projector that form no part of the claimed design.

1 Claim, 8 Drawing Sheets



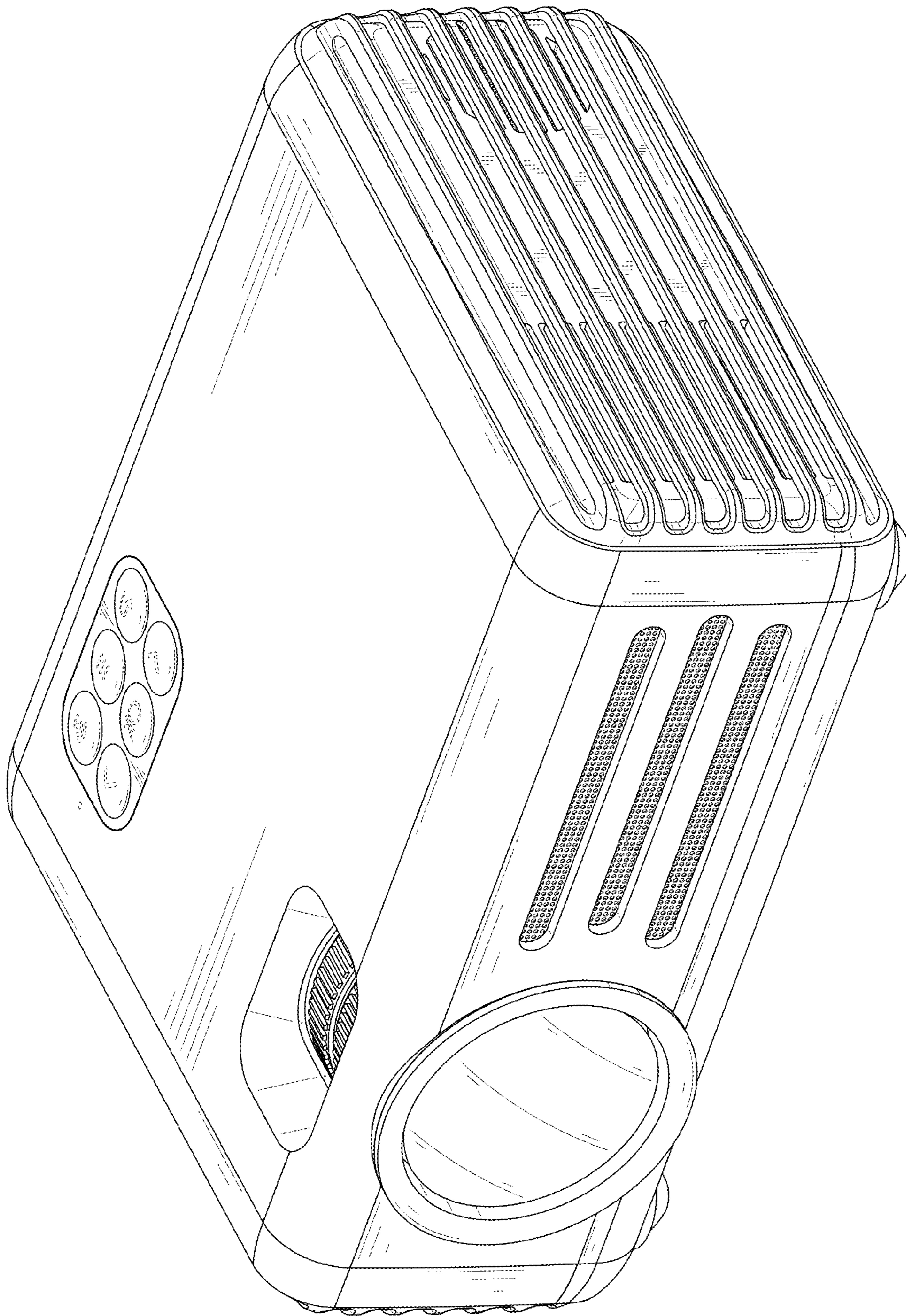


FIG. 1

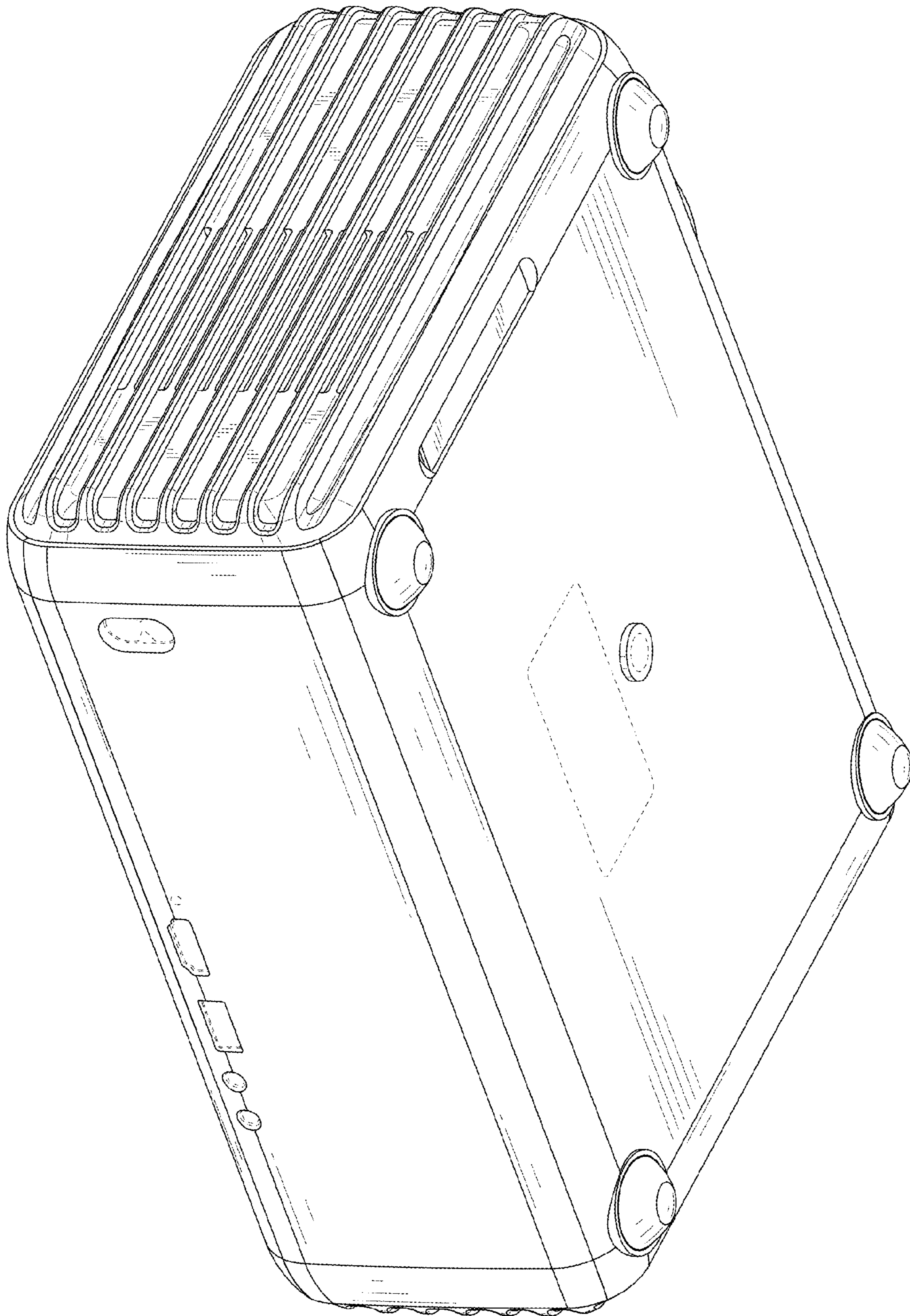


FIG. 2

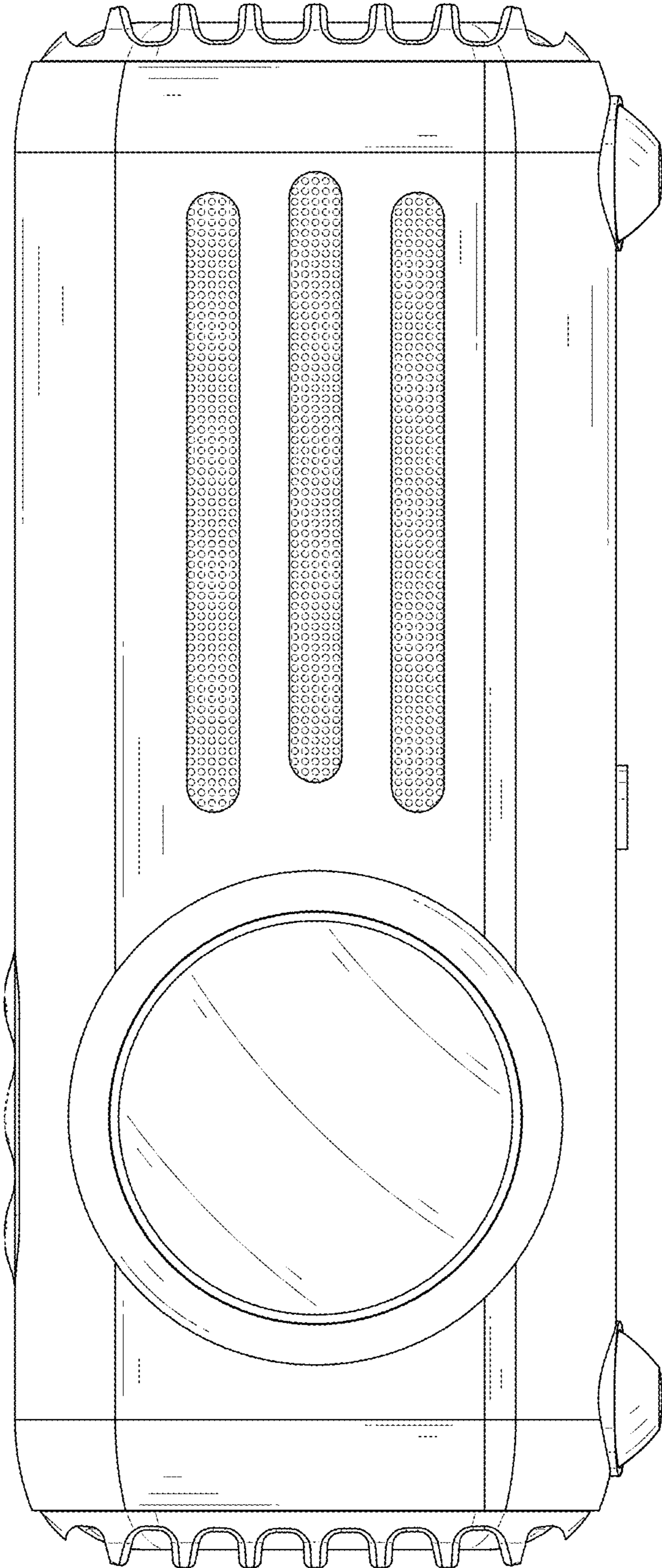


FIG. 3

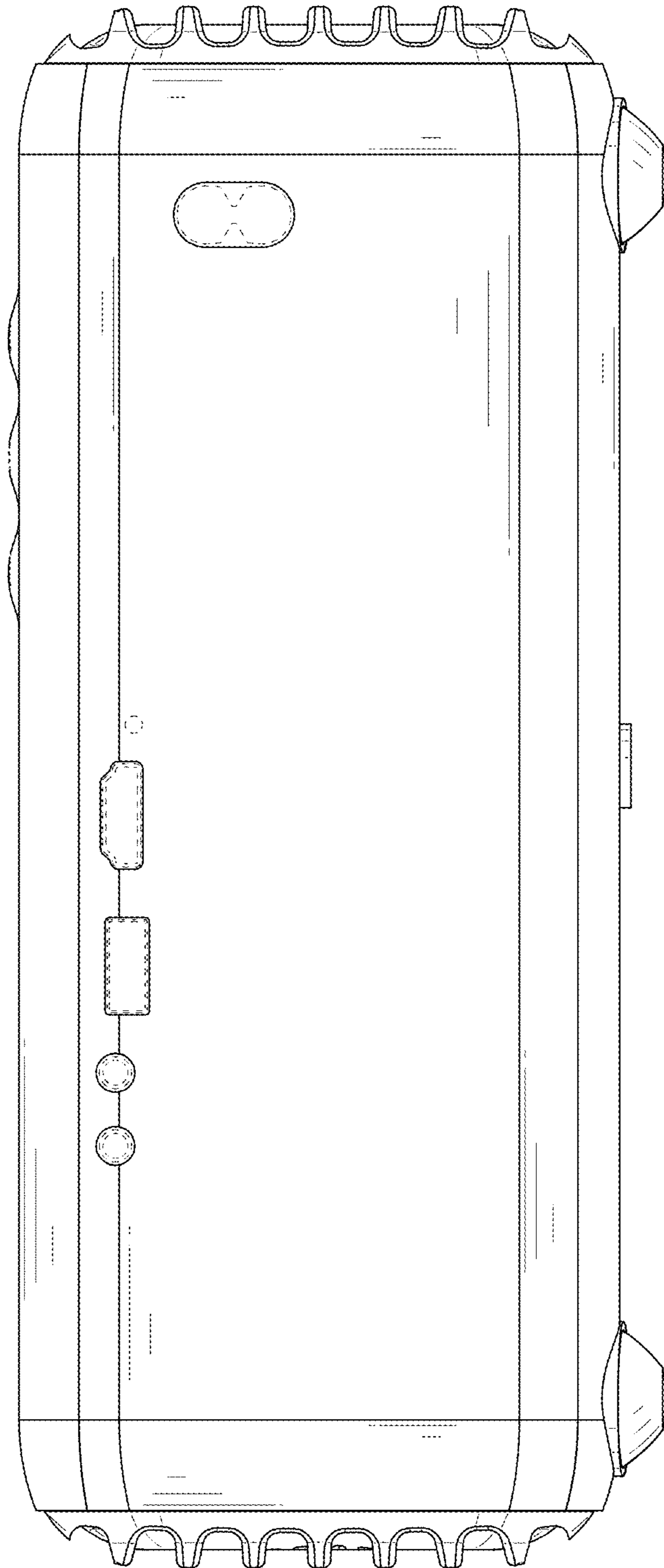


FIG. 4

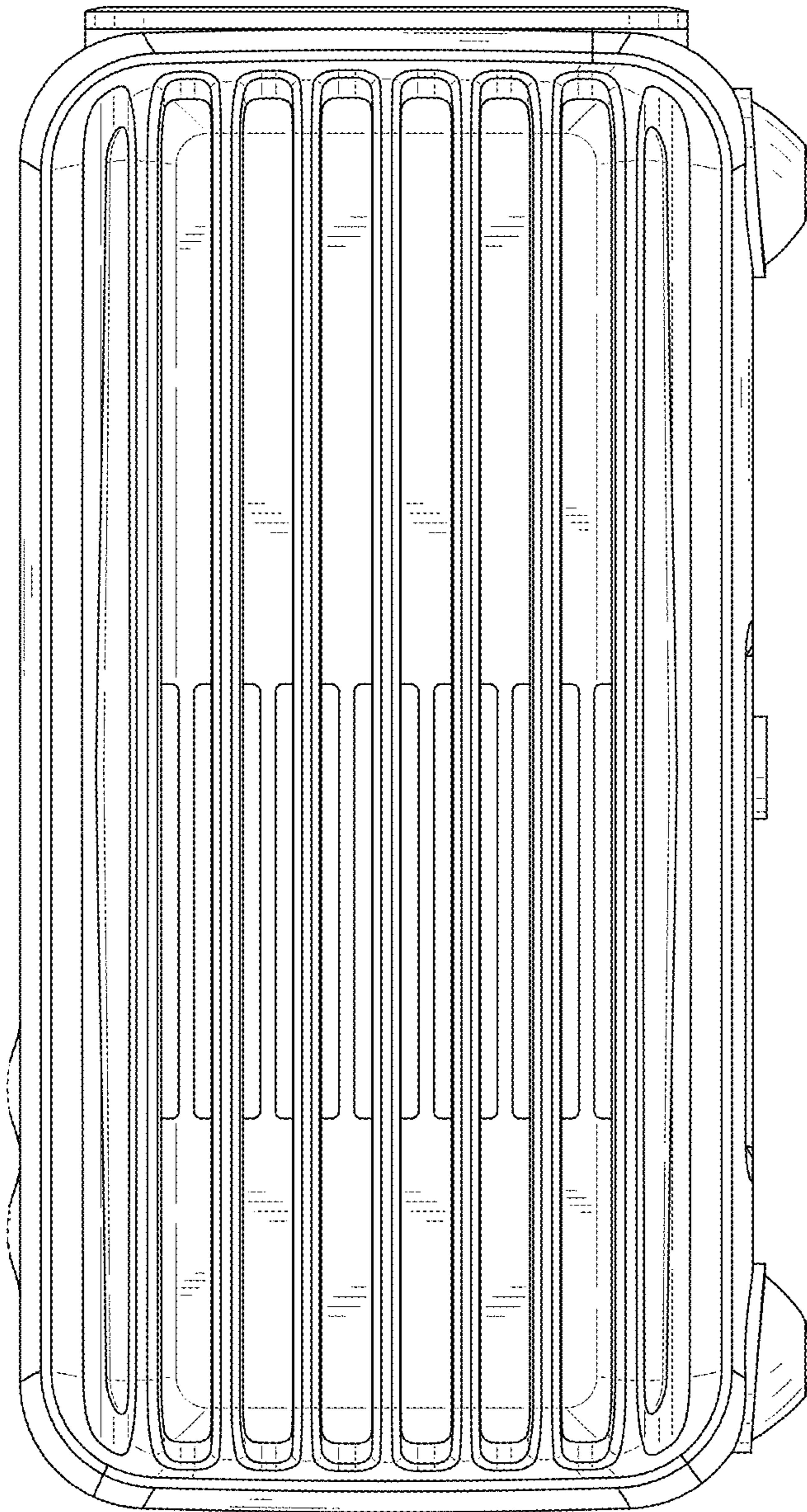


FIG. 5

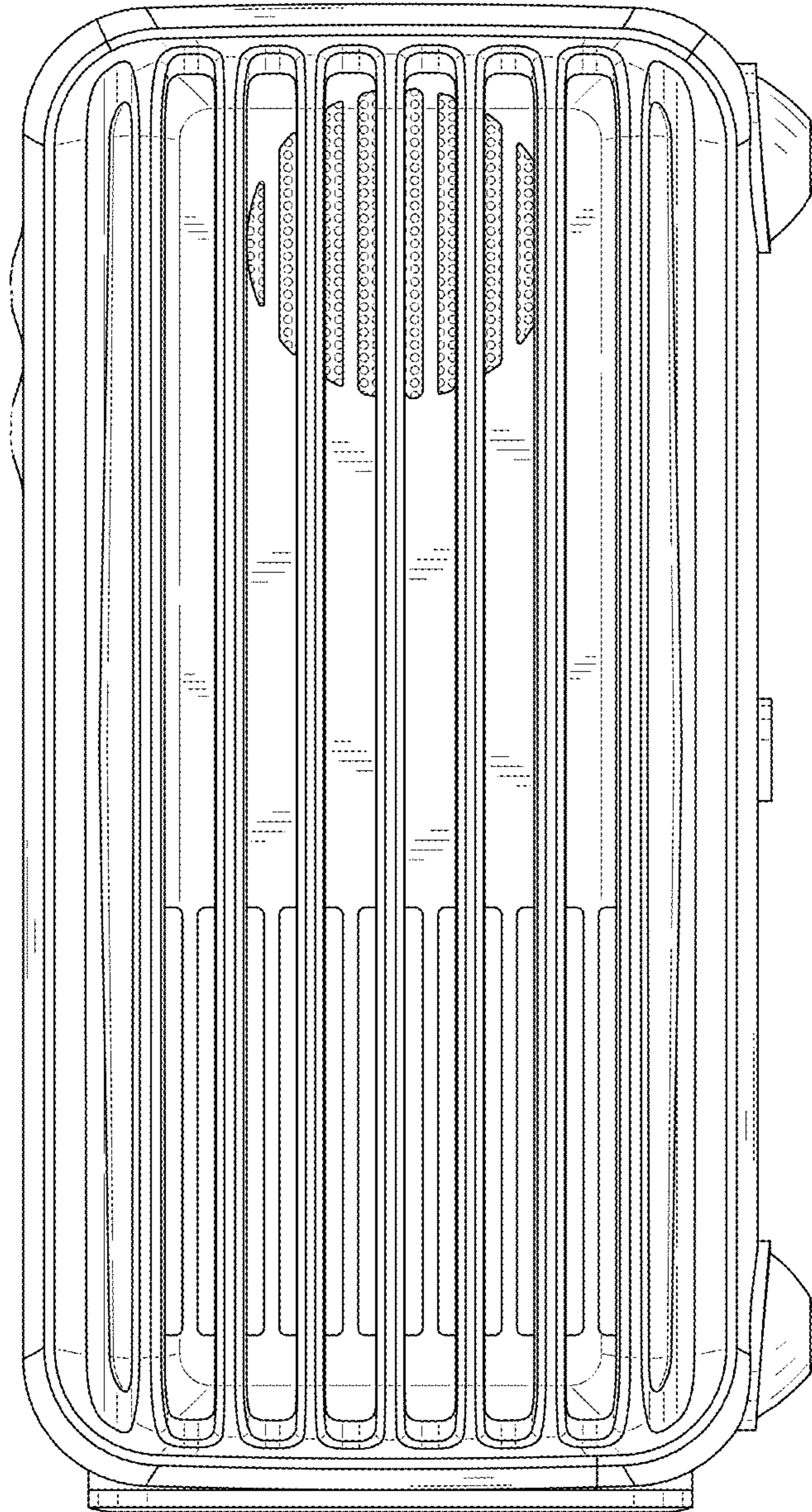


FIG. 6

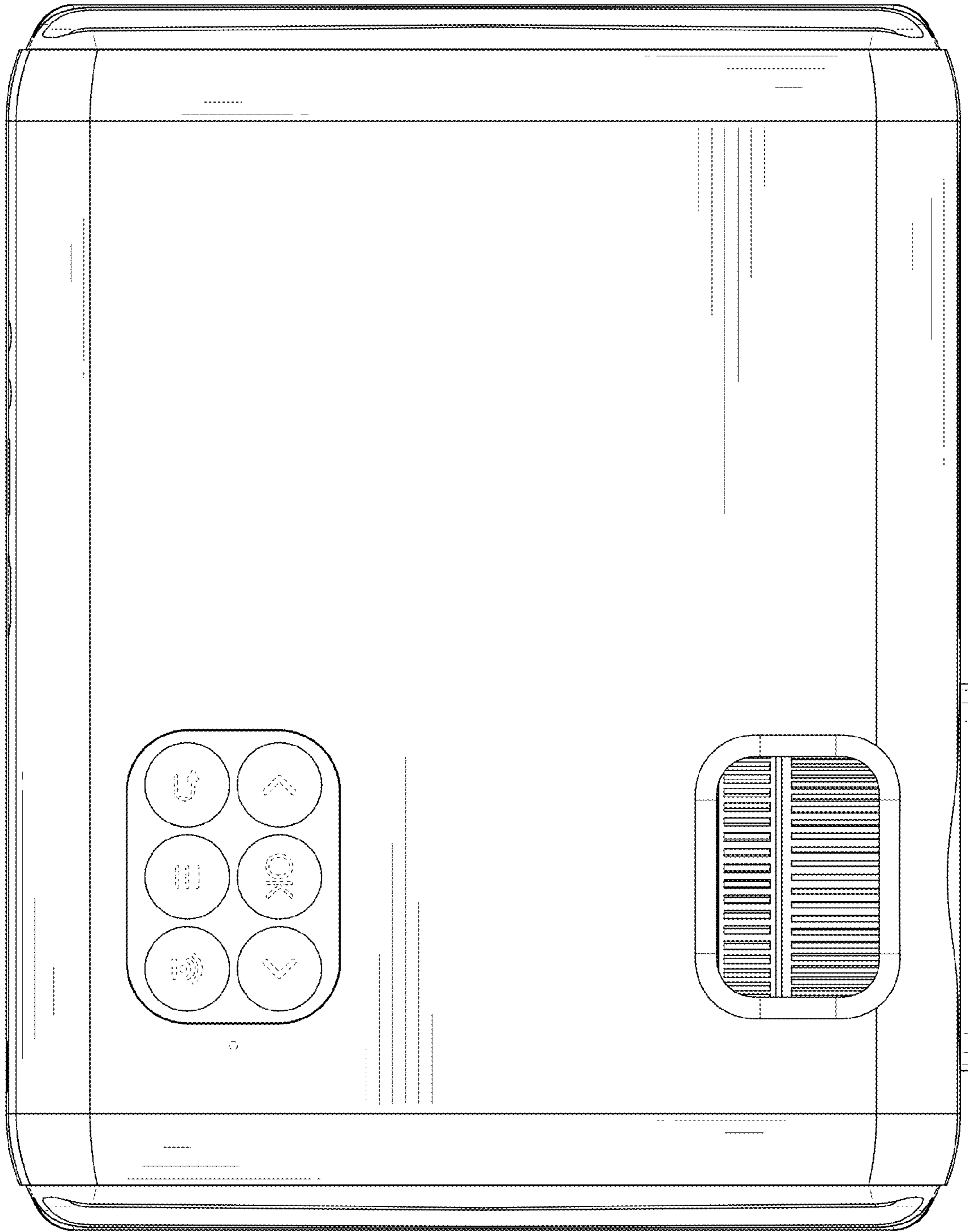


FIG. 7

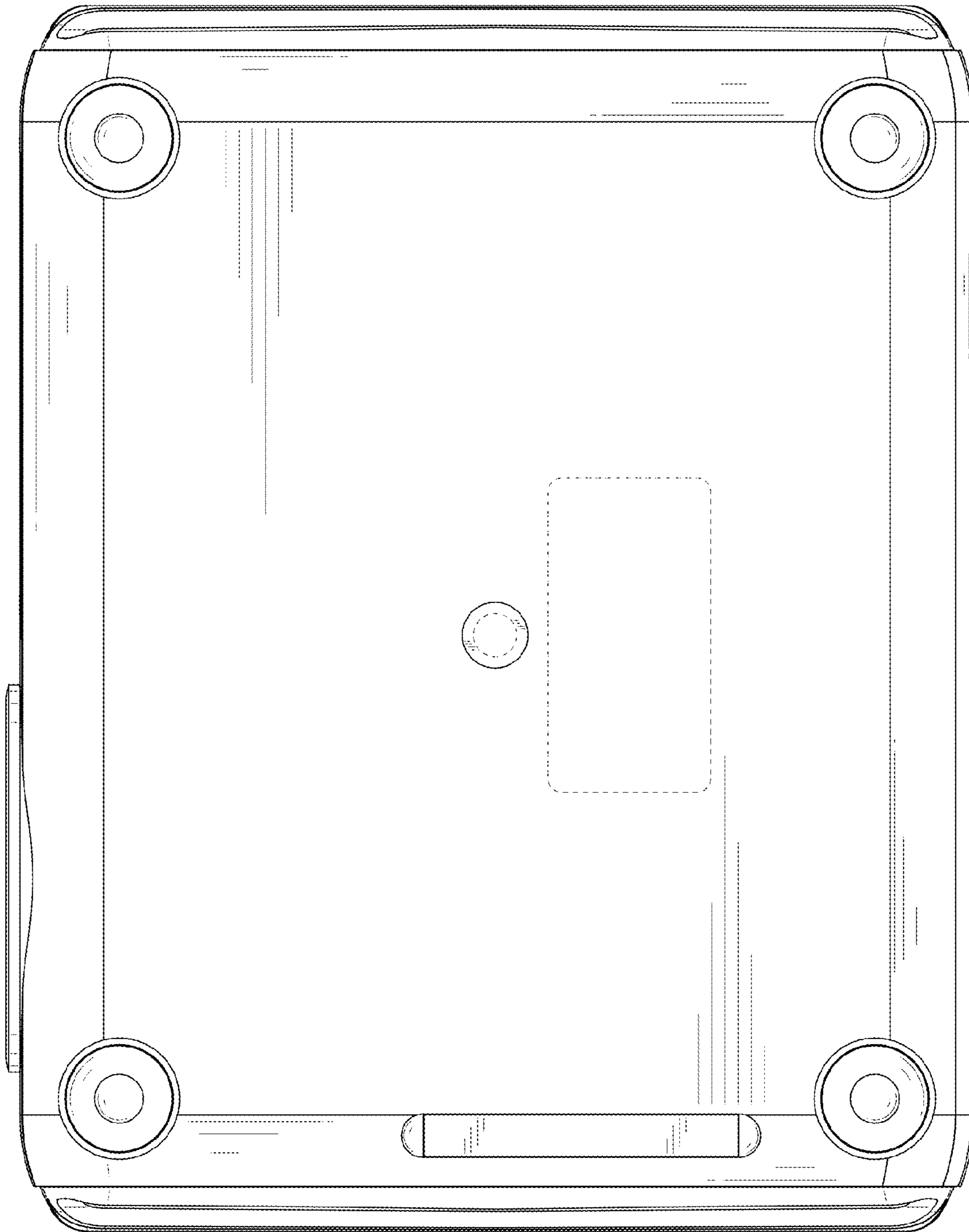


FIG. 8